

US00D545511S

(12) **United States Design Patent**
Proud

(10) **Patent No.:** **US D545,511 S**

(45) **Date of Patent:** **** Jun. 26, 2007**

(54) **DRY ONLY CANISTER MACHINE**

(75) Inventor: **Reuben Proud**, Worcester (GB)

(73) Assignee: **Vax Limited**, Droitwich (GB)

(**) Term: **14 Years**

(21) Appl. No.: **29/240,115**

(22) Filed: **Oct. 7, 2005**

(30) **Foreign Application Priority Data**

Apr. 8, 2005 (EM) 000323787-0001/-0005

(51) **LOC (8) Cl.** **15-05**

(52) **U.S. Cl.** **D32/23**

(58) **Field of Classification Search** D32/1,
D32/4, 15, 17-18, 21, 23-24, 31, 34; 15/301,
15/314-315, 319, 320-322, 340.1, 321, 323,
15/327.1, 327.6, 327.7, 335, 344-345, 347,
15/353, 355, 388, 410-412, 414, 415, 429;
D23/225; 68/222; 134/18; 700/245; 701/23

See application file for complete search history.

(56) **References Cited**

U.S. PATENT DOCUMENTS

- 5,125,127 A 6/1992 Bach et al.
- 5,135,552 A 8/1992 Weistra
- D335,555 S * 5/1993 Reath D32/21
- 5,351,362 A 10/1994 Kramer et al.
- D357,336 S * 4/1995 Moine et al. D32/23
- D358,689 S * 5/1995 Wallace D32/23
- 5,500,979 A 3/1996 Wörwag
- D372,567 S * 8/1996 Moine et al. D32/23
- 5,960,514 A 10/1999 Miller et al.
- D430,712 S * 9/2000 Song D32/21
- D437,464 S * 2/2001 Song D32/23
- D439,709 S * 3/2001 Song D32/23
- 6,350,292 B1 2/2002 Lee et al.
- 6,572,668 B1 6/2003 An et al.
- D492,823 S * 7/2004 Hoshino et al. D32/23
- D494,327 S * 8/2004 Song D32/21

- D519,251 S * 4/2006 Hoshino et al. D32/23
- 2002/0011053 A1 1/2002 Oh
- 2002/0062632 A1 5/2002 Oh
- 2002/0088078 A1 7/2002 Oh et al.
- 2002/0120998 A1 9/2002 Dubos et al.
- 2002/0124538 A1 9/2002 Oh et al.
- 2003/0106182 A1 6/2003 Lee
- 2003/0106183 A1 6/2003 Frederick et al.

FOREIGN PATENT DOCUMENTS

- DE 38 34 686 C1 12/1989
- DE 94 20 797.6 U1 7/1995
- DE 299 00 460 U1 8/2000
- DE 199 14 574 C1 11/2000
- DE 101 10 771 A1 9/2002
- EP 1 386 573 A2 2/2004
- FR 2 425 227 12/1979
- WO WO 98/35602 A1 8/1998
- WO WO 2004/049887 A1 6/2004
- WO WO 2004/049890 A1 6/2004
- WO WO 2004/052166 A1 6/2004

* cited by examiner

Primary Examiner—Ruth McInroy

(74) *Attorney, Agent, or Firm*—Brinks Hofer Gilson & Lione

(57) **CLAIM**

We claim the ornamental design for a dry only canister machine, as shown and described.

DESCRIPTION

FIG. 1 is a front perspective view of a dry only canister machine showing my new design;

FIG. 2 is a right side view thereof, the left side being a mirror image;

FIG. 3 is a front view thereof;

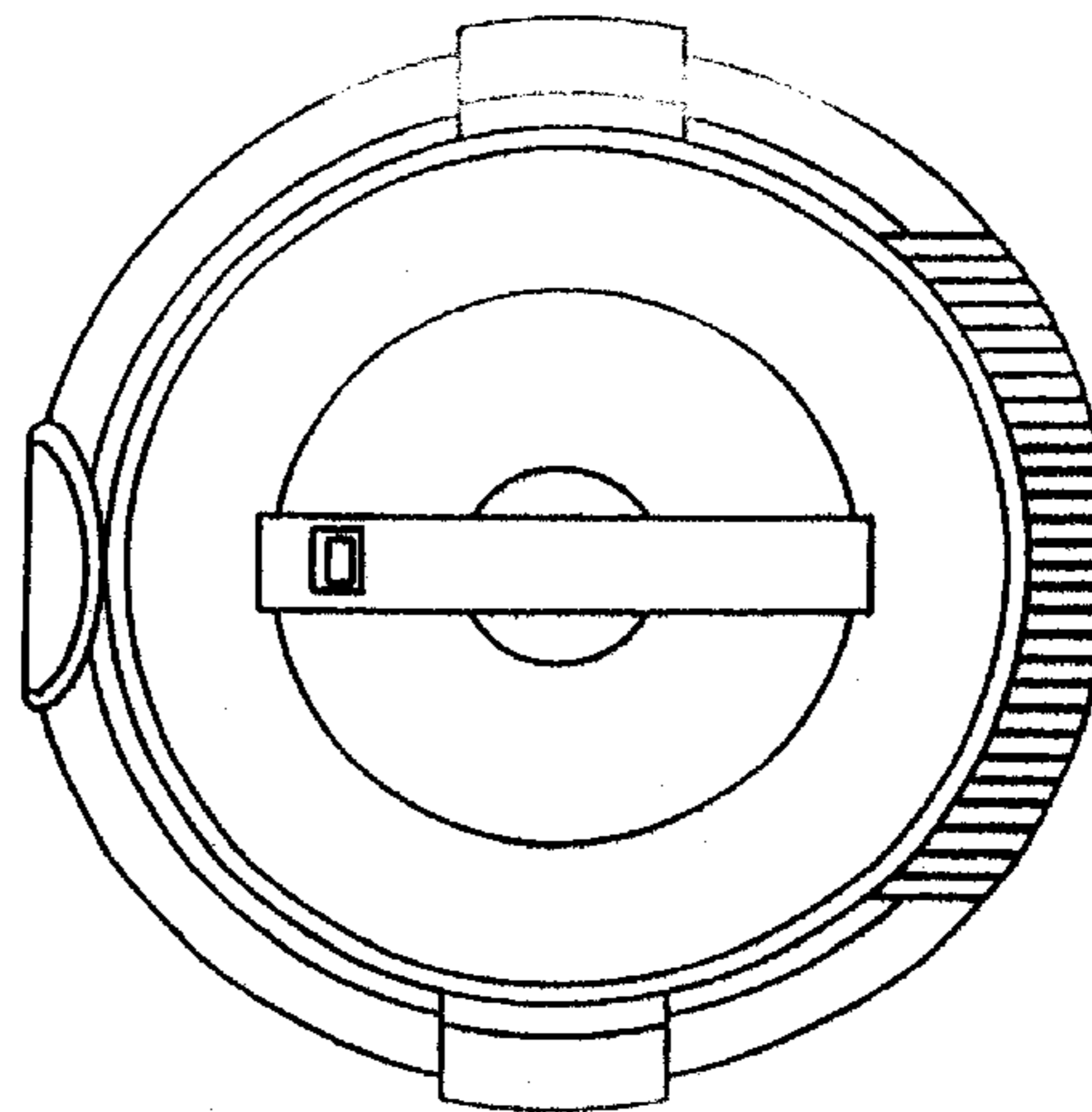
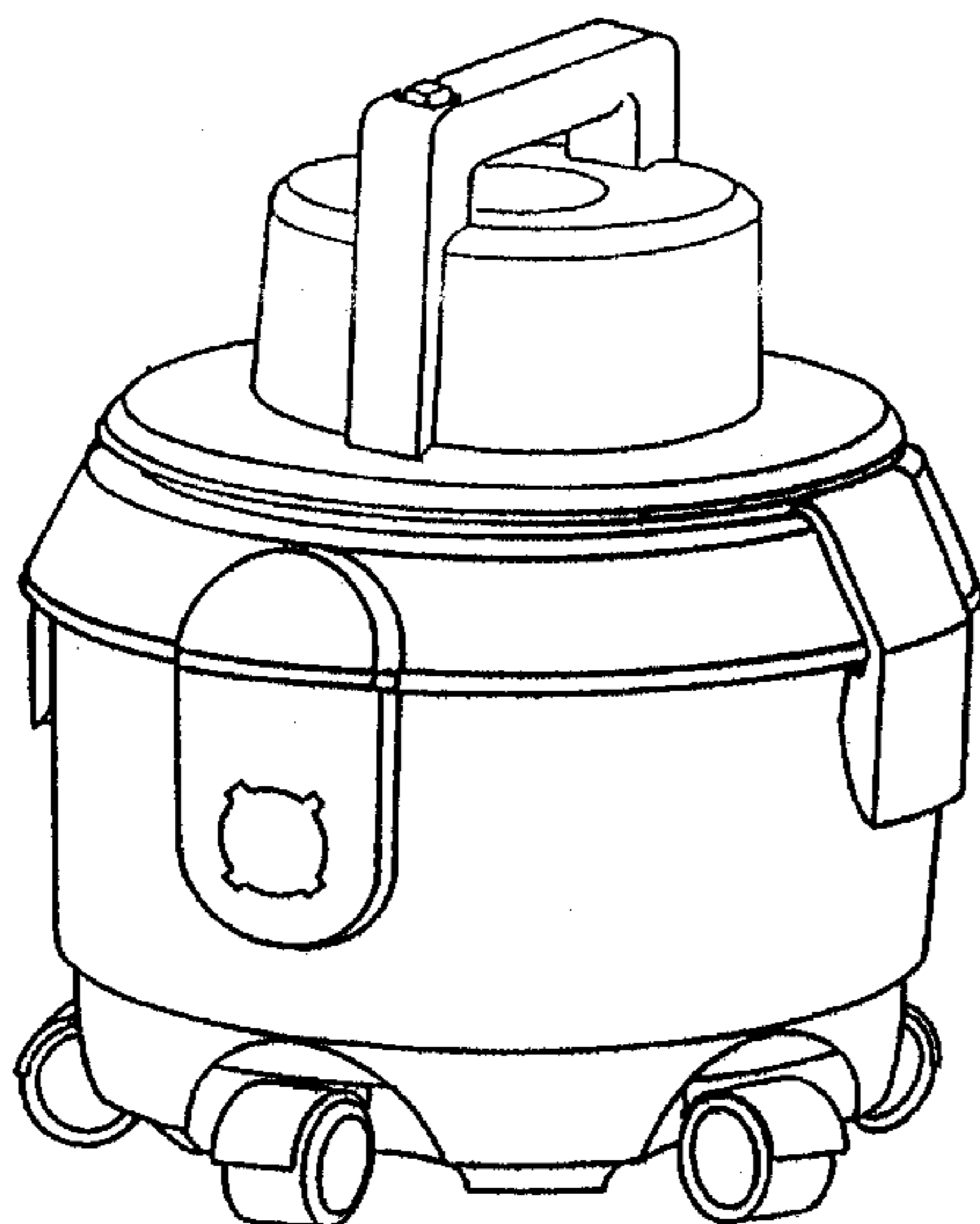
FIG. 4 is a rear view thereof;

FIG. 5 is a bottom view thereof;

FIG. 6 is a top view; and

FIG. 7 is a rear perspective view thereof.

1 Claim, 4 Drawing Sheets



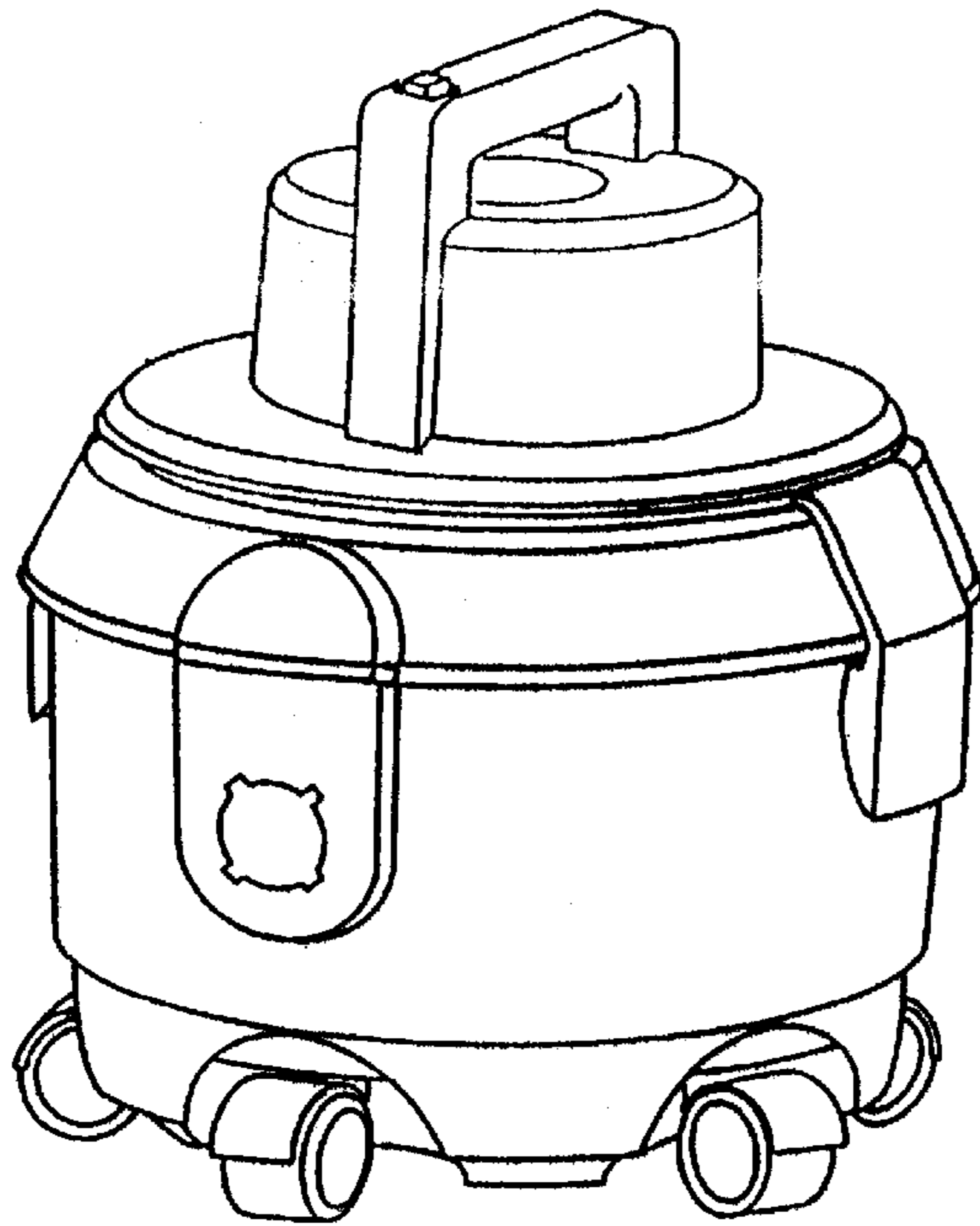


Fig. 1

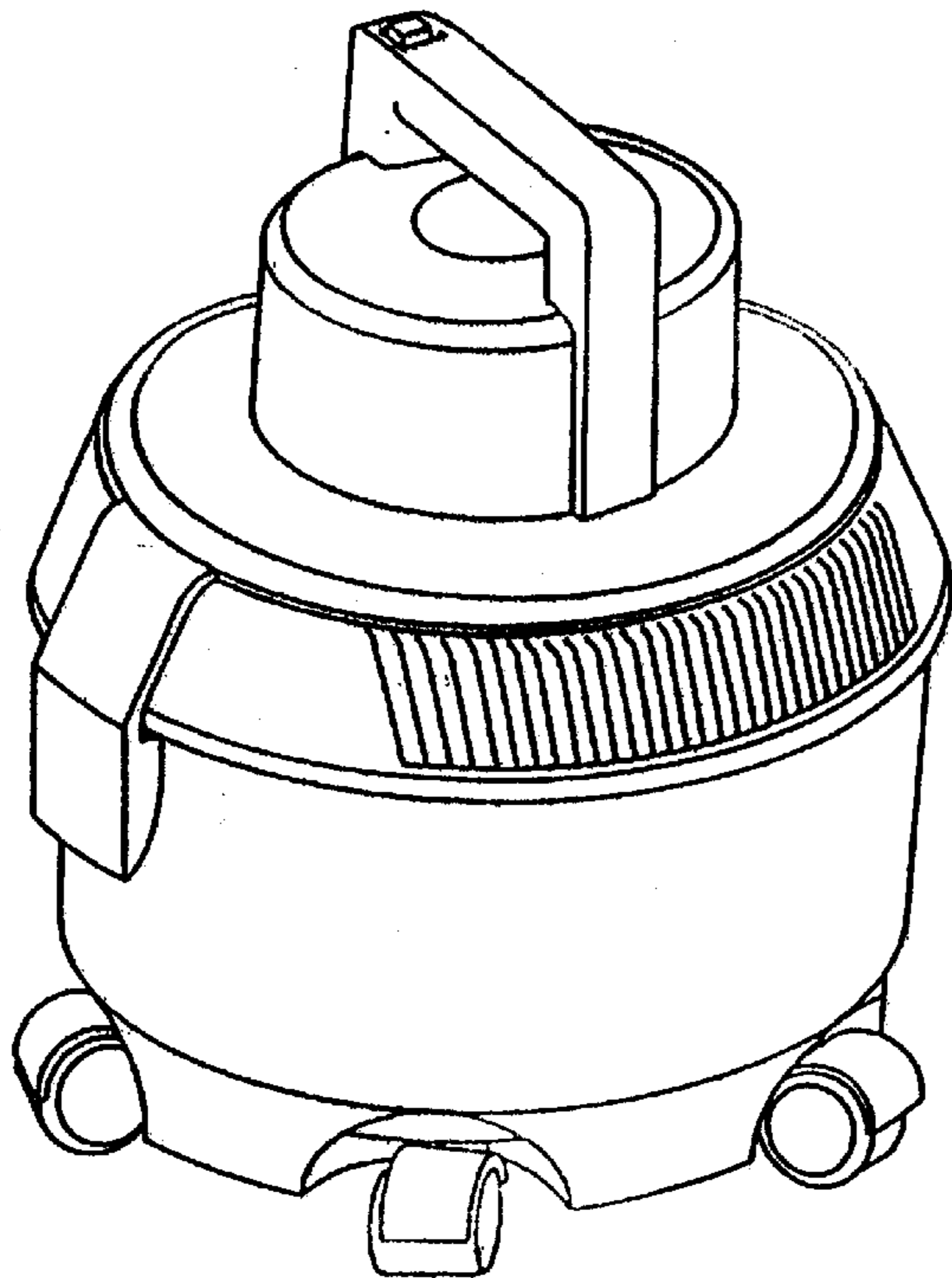


Fig. 7

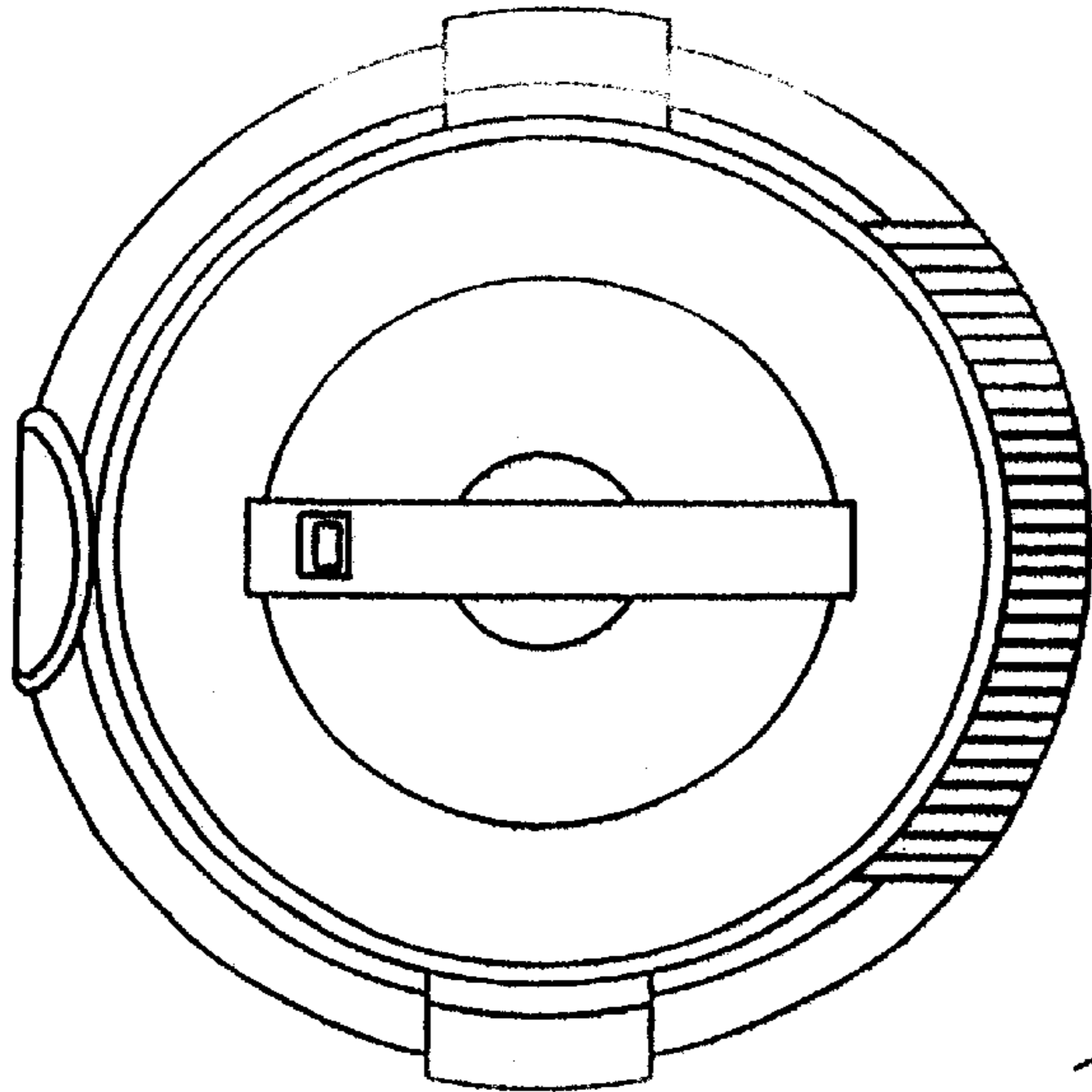


Fig. 6

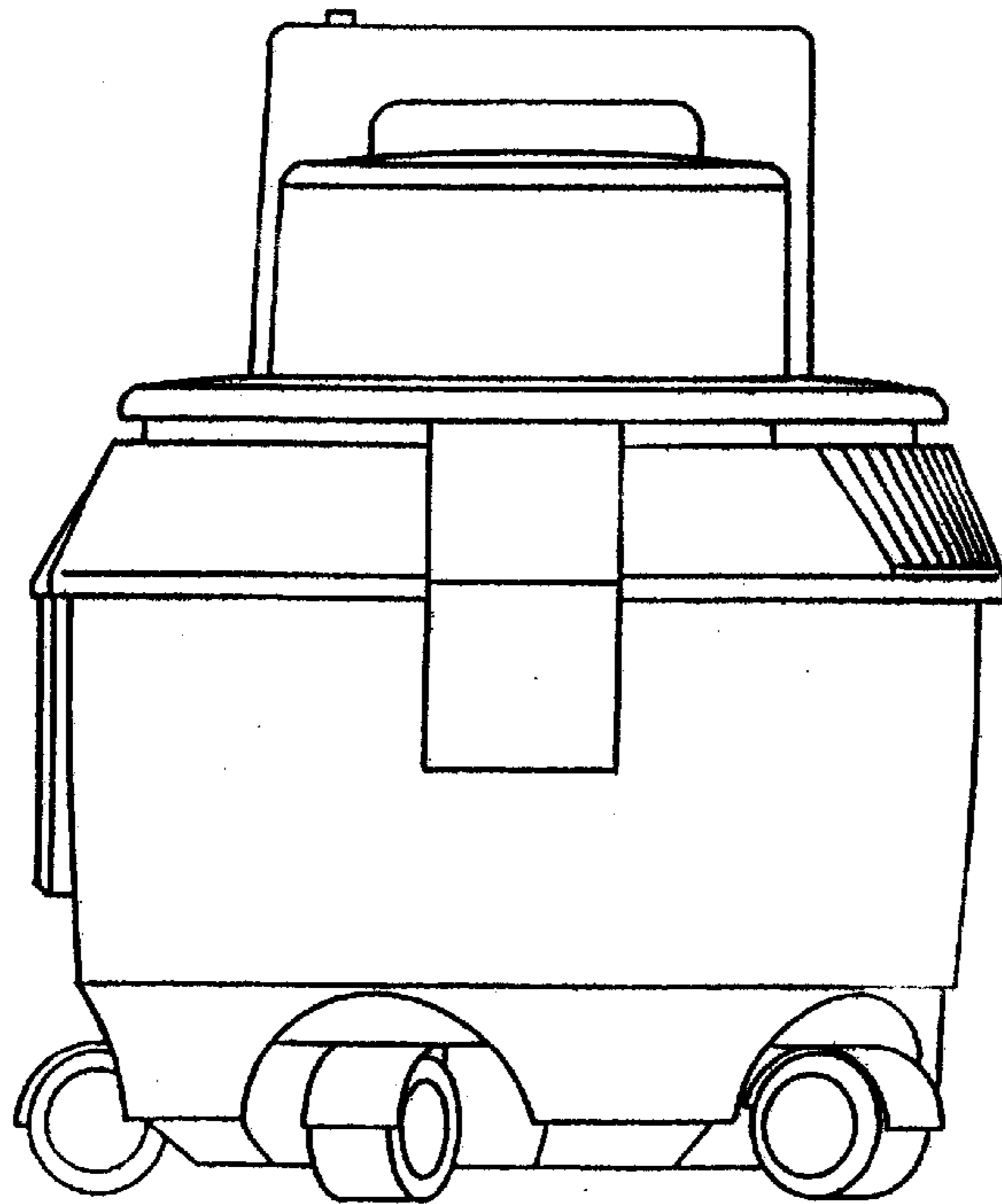


Fig. 2

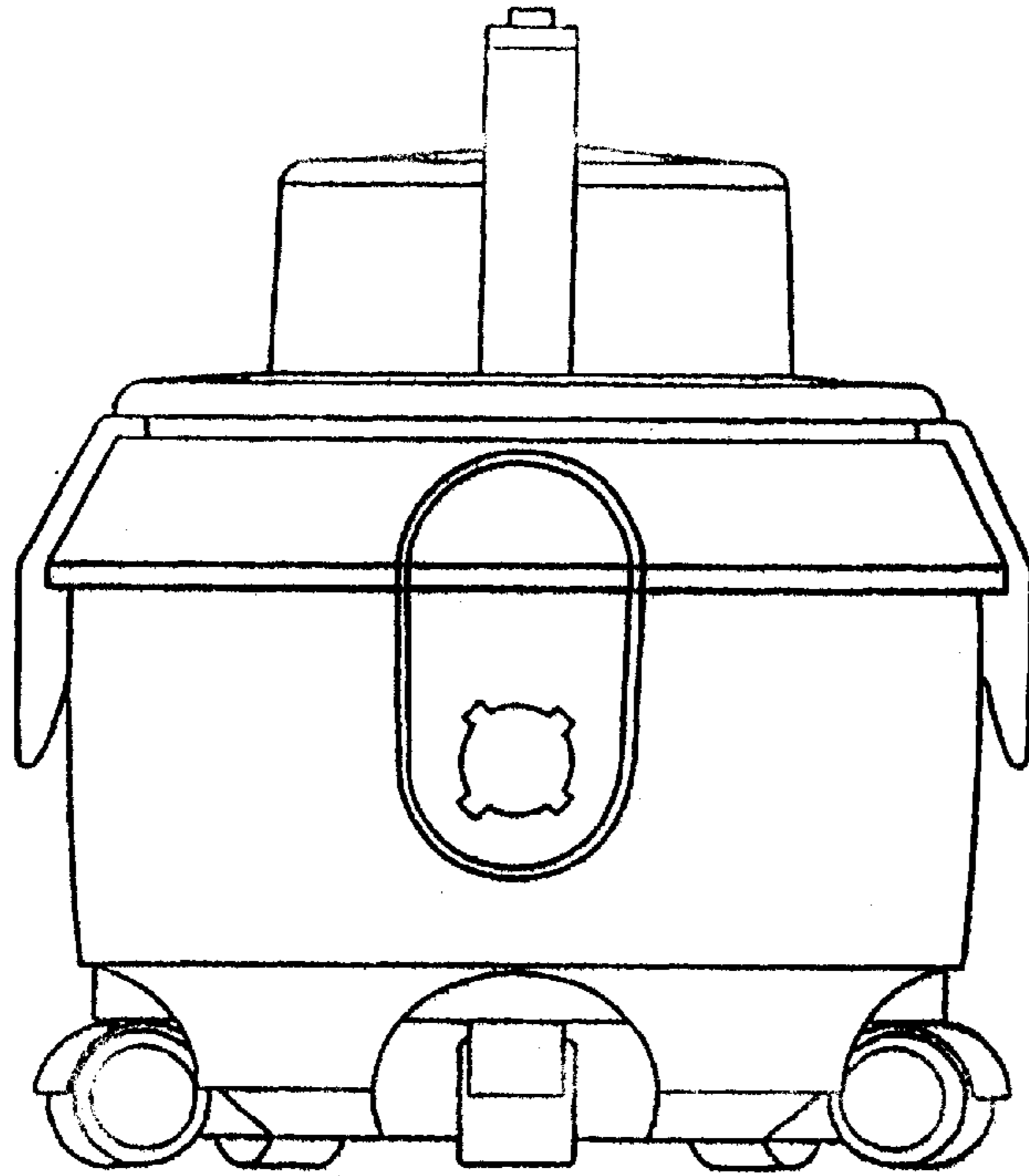


Fig. 3

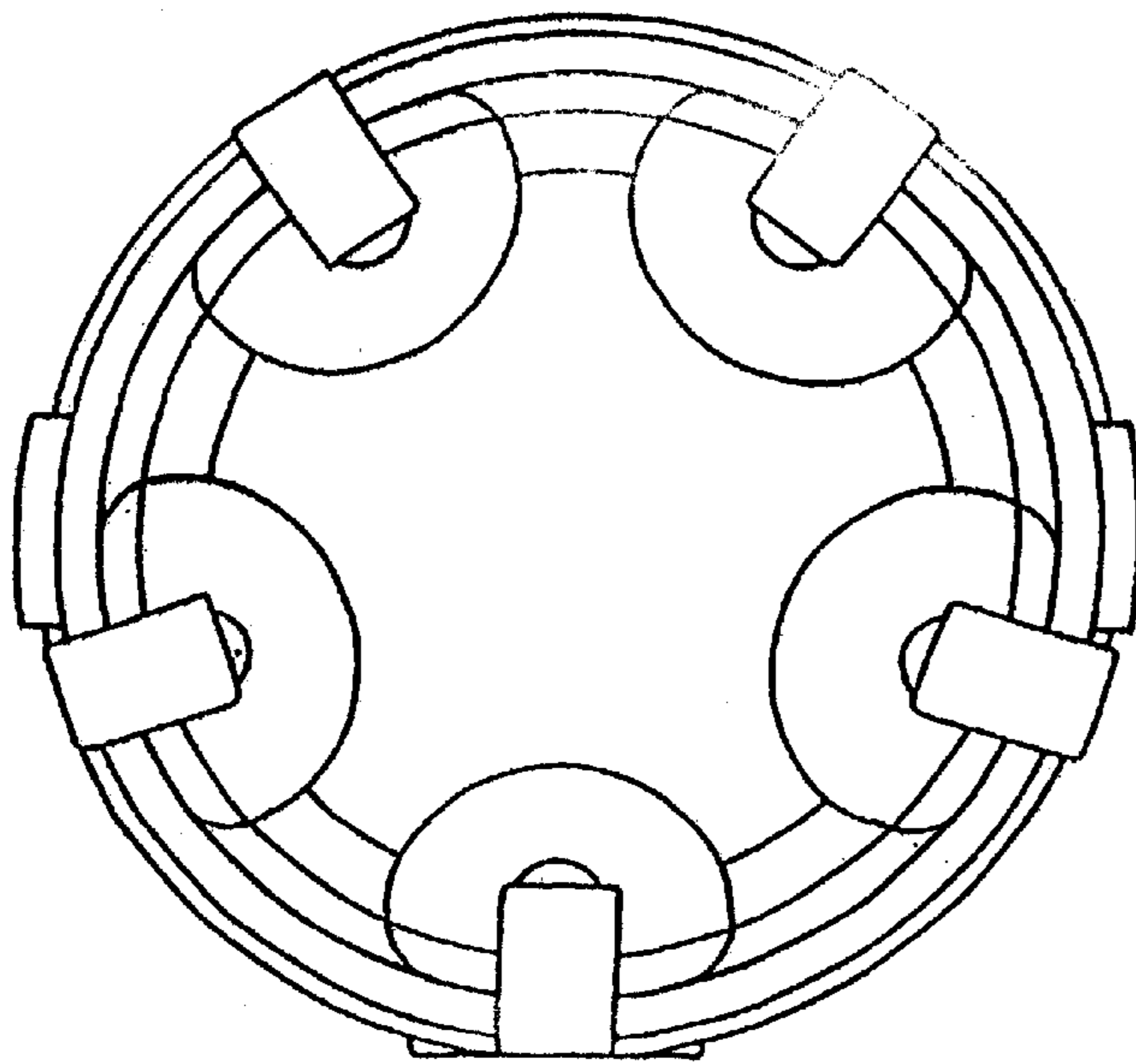


Fig. 5

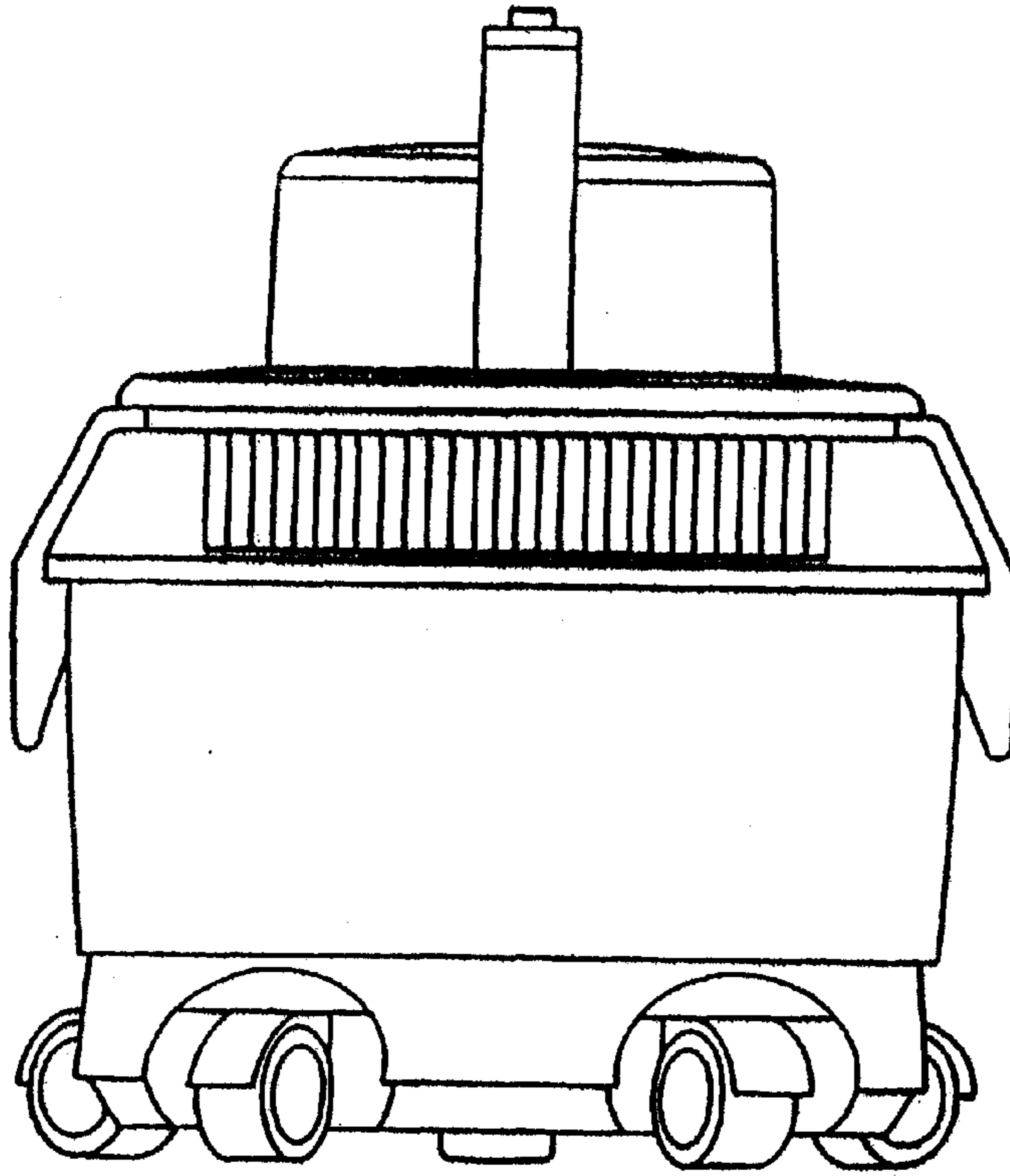


Fig. 4