



US00D545505S

(12) **United States Design Patent**  
**Cicero**

(10) **Patent No.:** **US D545,505 S**

(45) **Date of Patent:** **\*\* Jun. 26, 2007**

(54) **FISH TANK**

D399,651 S \* 10/1998 Maguire ..... D3/272  
D473,607 S \* 4/2003 Owens ..... D3/272

(76) Inventor: **Nicholas F. Cicero**, 5 Woodmere St.,  
Raritan, NJ (US) 08869

\* cited by examiner

(\*\*) Term: **14 Years**

*Primary Examiner*—Cathy Anne MacCormac  
(74) *Attorney, Agent, or Firm*—Michael J. McGreal

(21) Appl. No.: **29/233,079**

(22) Filed: **Jun. 27, 2005**

(57) **CLAIM**

(51) **LOC (8) Cl.** ..... **30-02**

The ornamental design for a fish tank, as shown and described.

(52) **U.S. Cl.** ..... **D30/102**

(58) **Field of Classification Search** ..... D30/101–106;  
D3/272; 190/19, 13 R; D6/440; 119/245–248,  
119/251, 253, 254–256, 258–259, 263–265  
See application file for complete search history.

**DESCRIPTION**

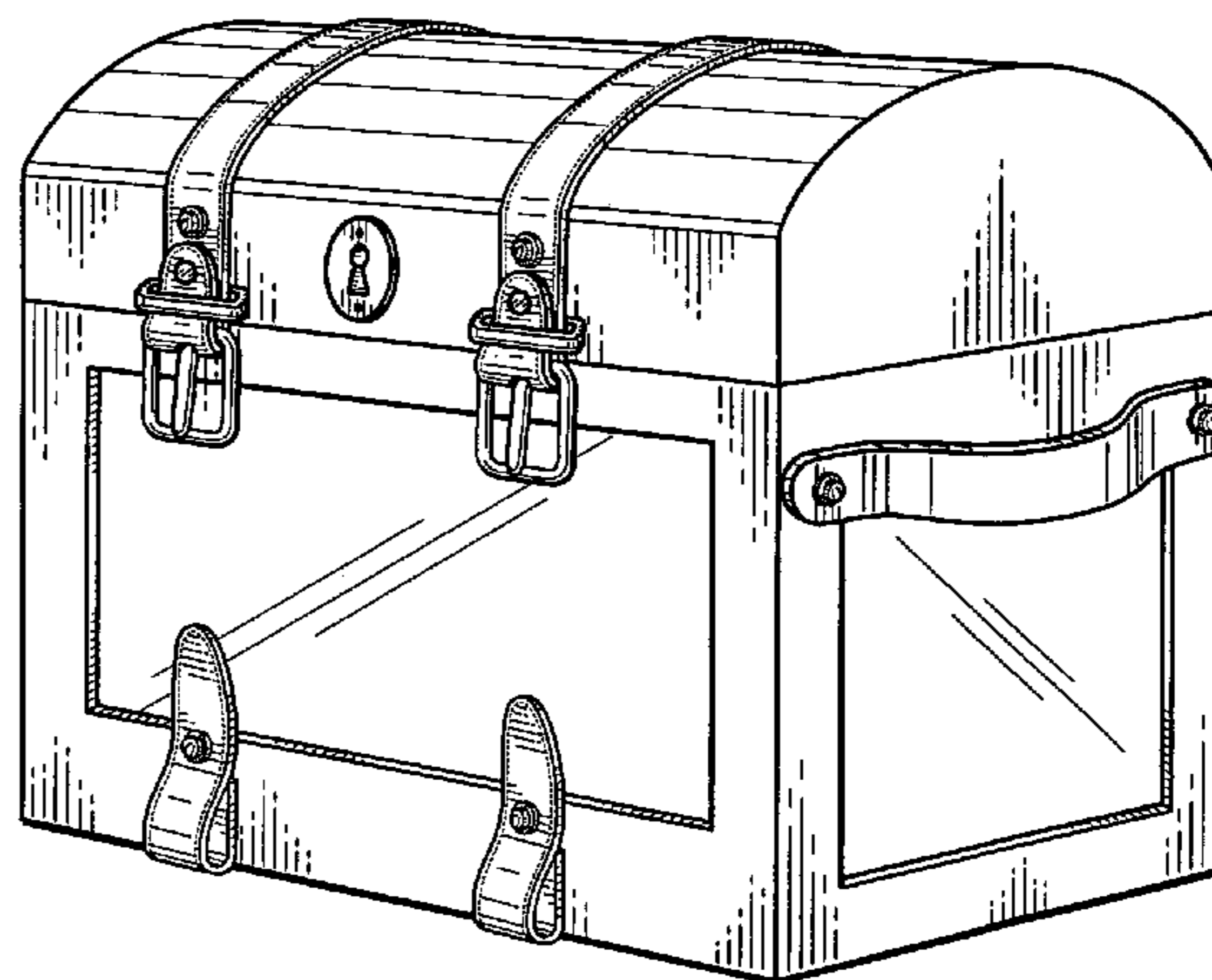
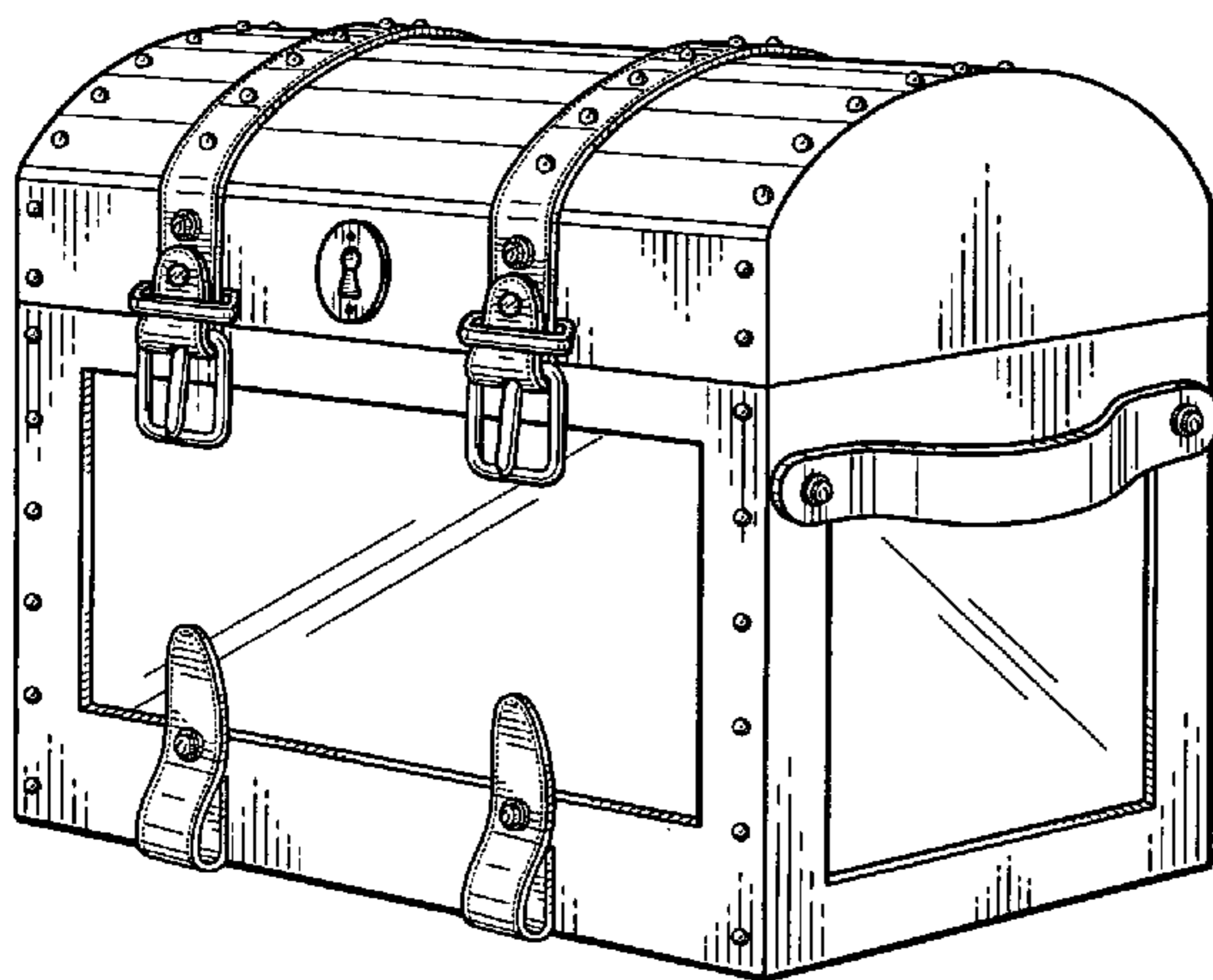
(56) **References Cited**

**U.S. PATENT DOCUMENTS**

- 116,492 A \* 6/1871 Roulstone ..... 190/19
- 1,837,428 A \* 12/1931 Gilfillen ..... 190/19
- D92,776 S \* 7/1934 Shannon ..... D30/102
- D174,886 S \* 5/1955 Petker ..... D3/272
- D214,916 S \* 8/1969 Lovitz ..... D30/102
- D229,839 S \* 1/1974 Schlessinger et al. .... D30/102
- D243,540 S \* 3/1977 Barrett ..... D30/102
- D243,964 S \* 4/1977 Deaton ..... D30/112
- D244,946 S \* 7/1977 Kaywood ..... D30/102
- D259,593 S \* 6/1981 Gross ..... D30/104
- D304,133 S \* 10/1989 Casselman ..... D30/101
- D328,676 S \* 8/1992 Miller ..... D6/440
- D354,518 S \* 1/1995 Dietterich et al. .... D3/272

FIG. 1 is a front elevation view of the fish tank of my design;  
 FIG. 2 is a rear elevation view thereof;  
 FIG. 3 is a right side elevation view thereof;  
 FIG. 4 is a left side elevation view thereof;  
 FIG. 5 is a top plan view thereof;  
 FIG. 6 is a perspective view thereof;  
 FIG. 7 is a front elevation view of an alternate embodiment thereof;  
 FIG. 8 is a rear elevation view of FIG. 7;  
 FIG. 9 is a right side elevation view of FIG. 7;  
 FIG. 10 is a left side elevation of FIG. 7;  
 FIG. 11 is a top plan view of FIG. 7; and,  
 FIG. 12 is a perspective view of FIG. 7.

**1 Claim, 6 Drawing Sheets**



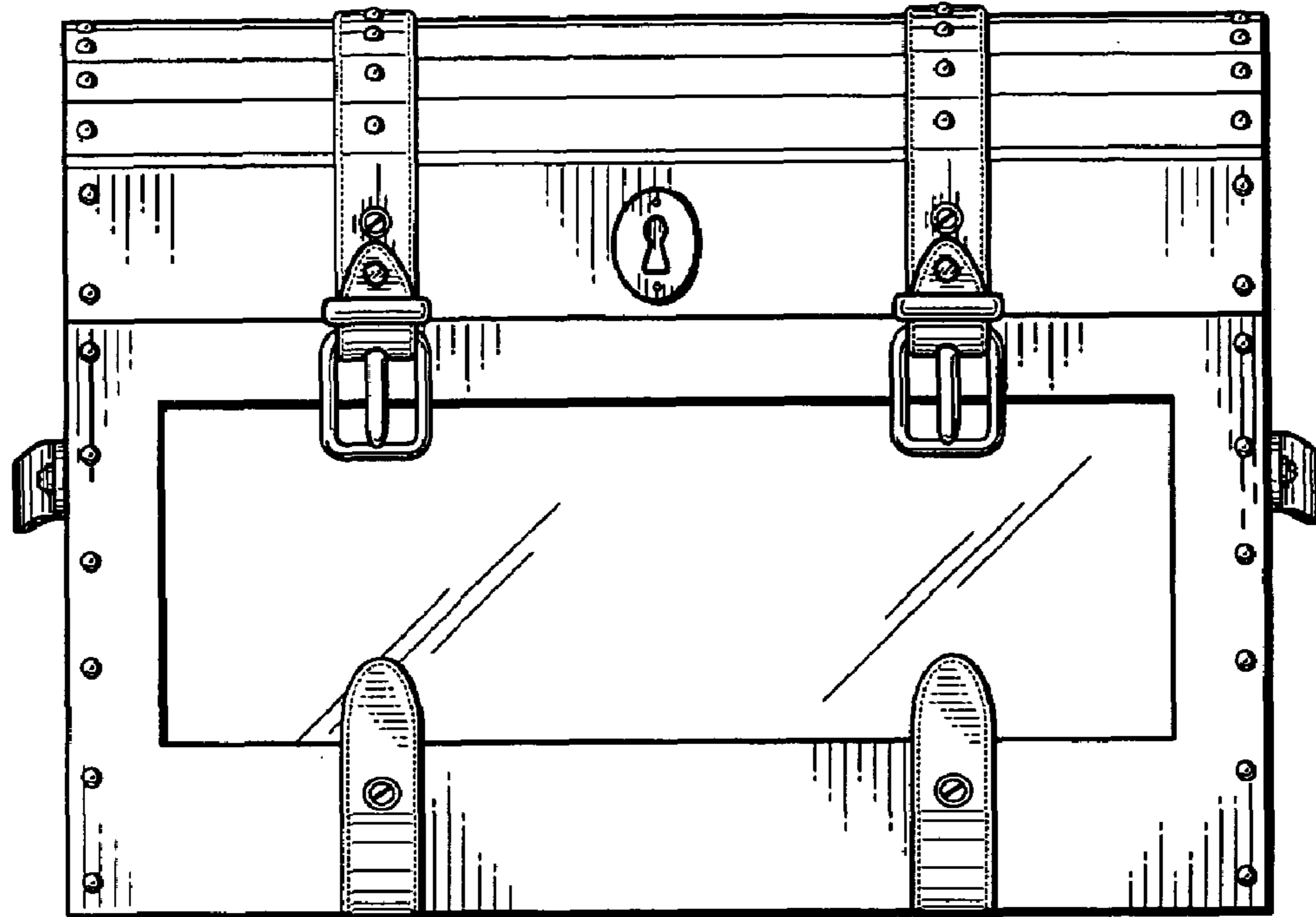


Fig. 1

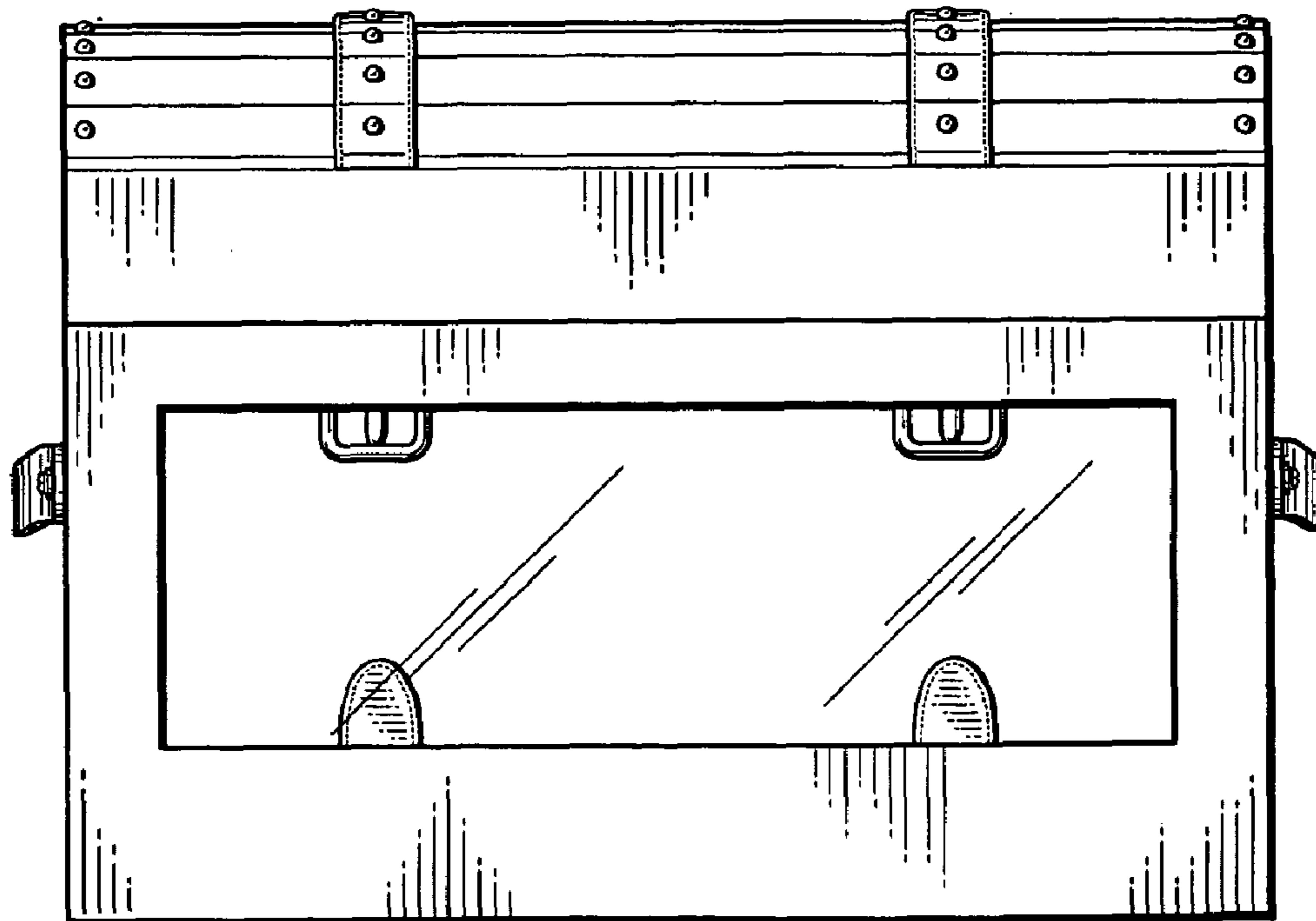


Fig. 2

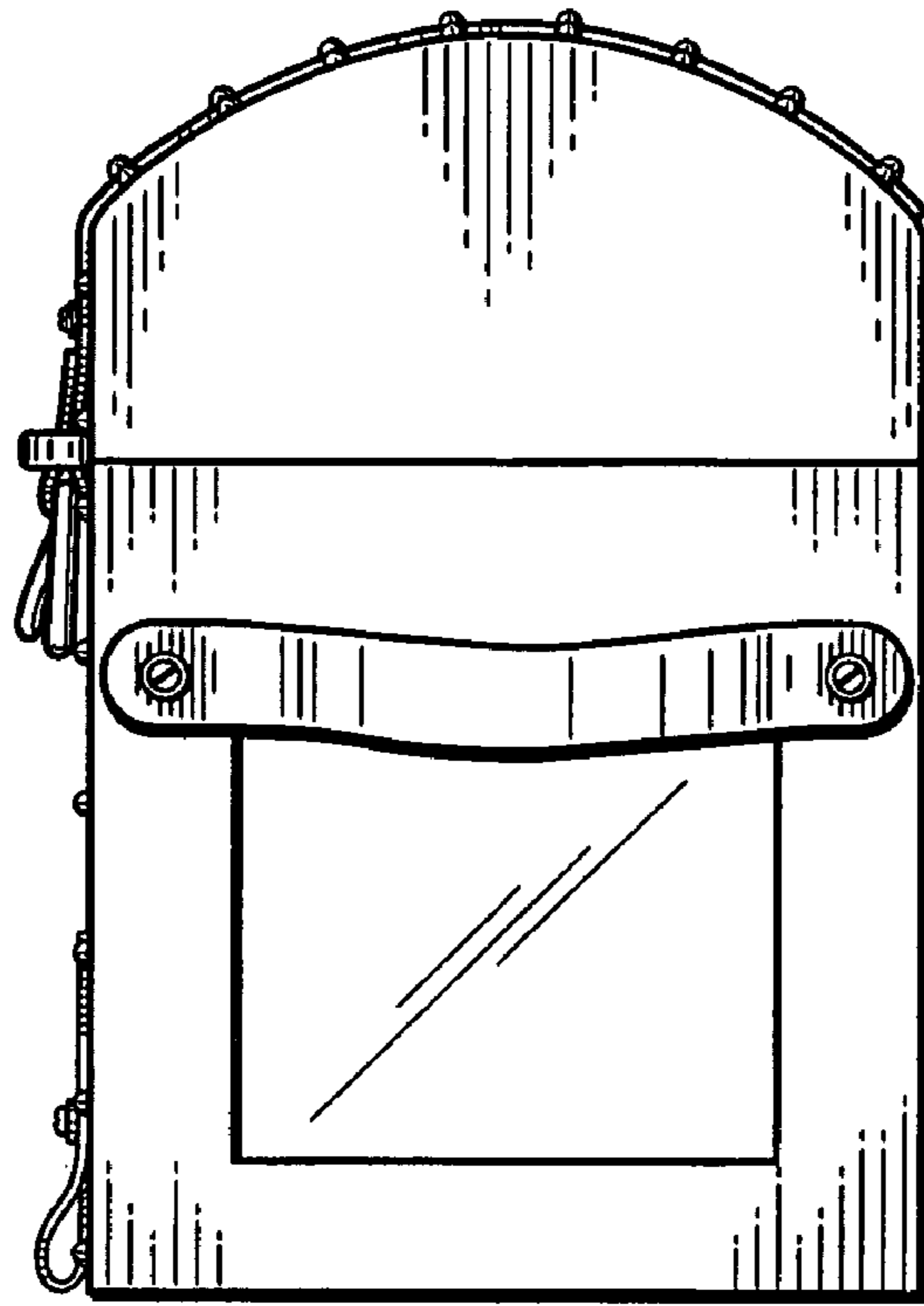


Fig. 3

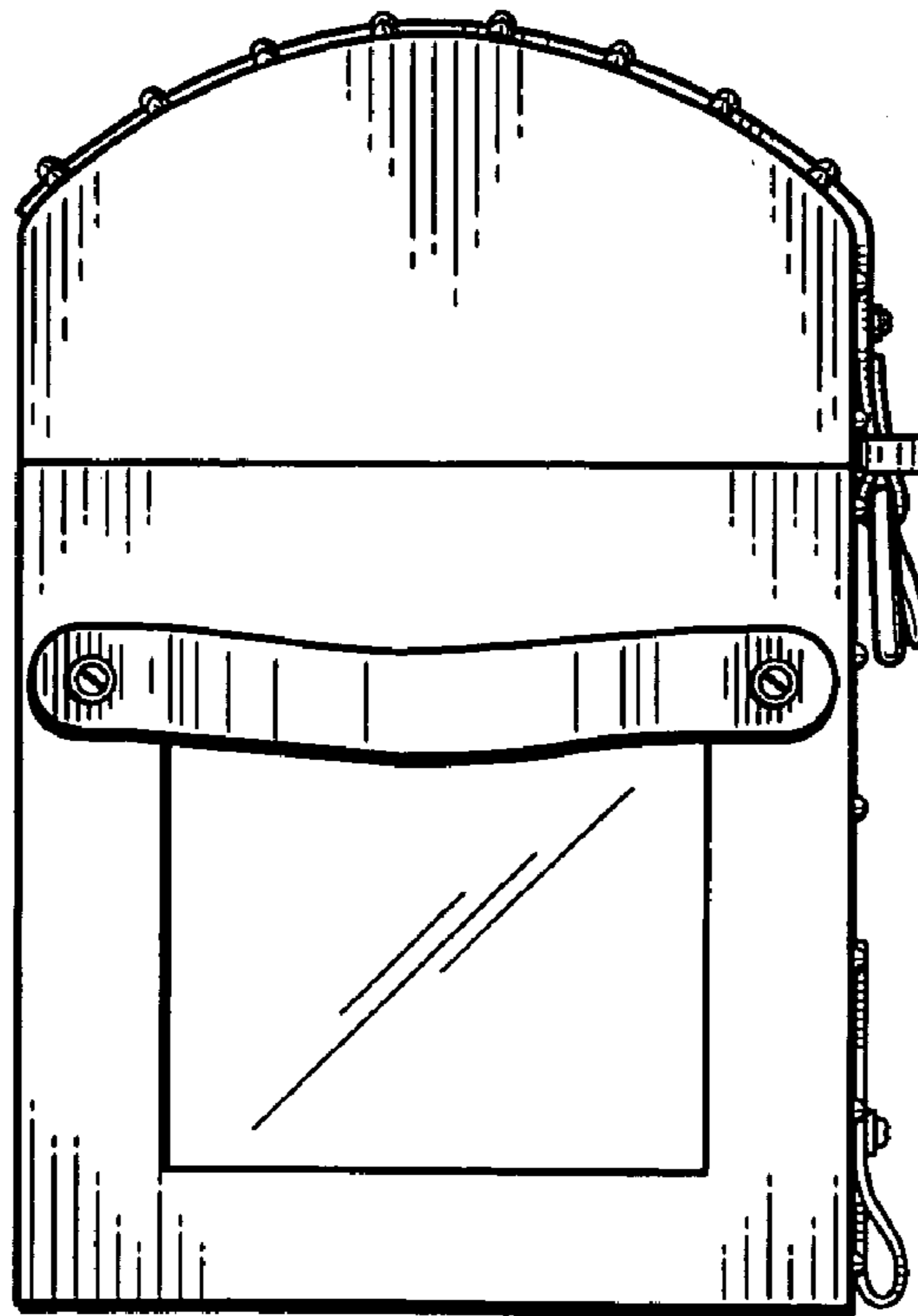


Fig. 4

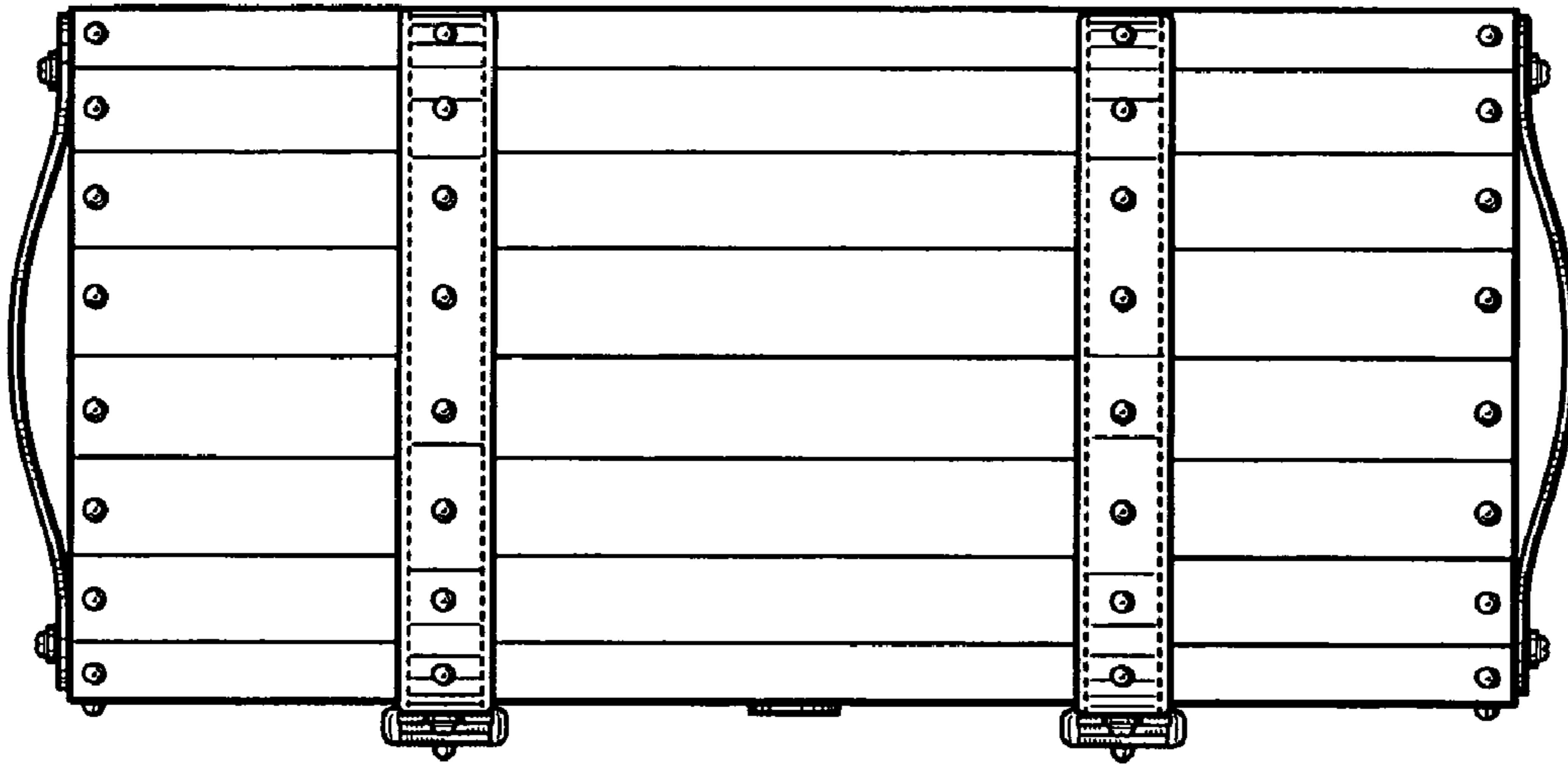


Fig. 5

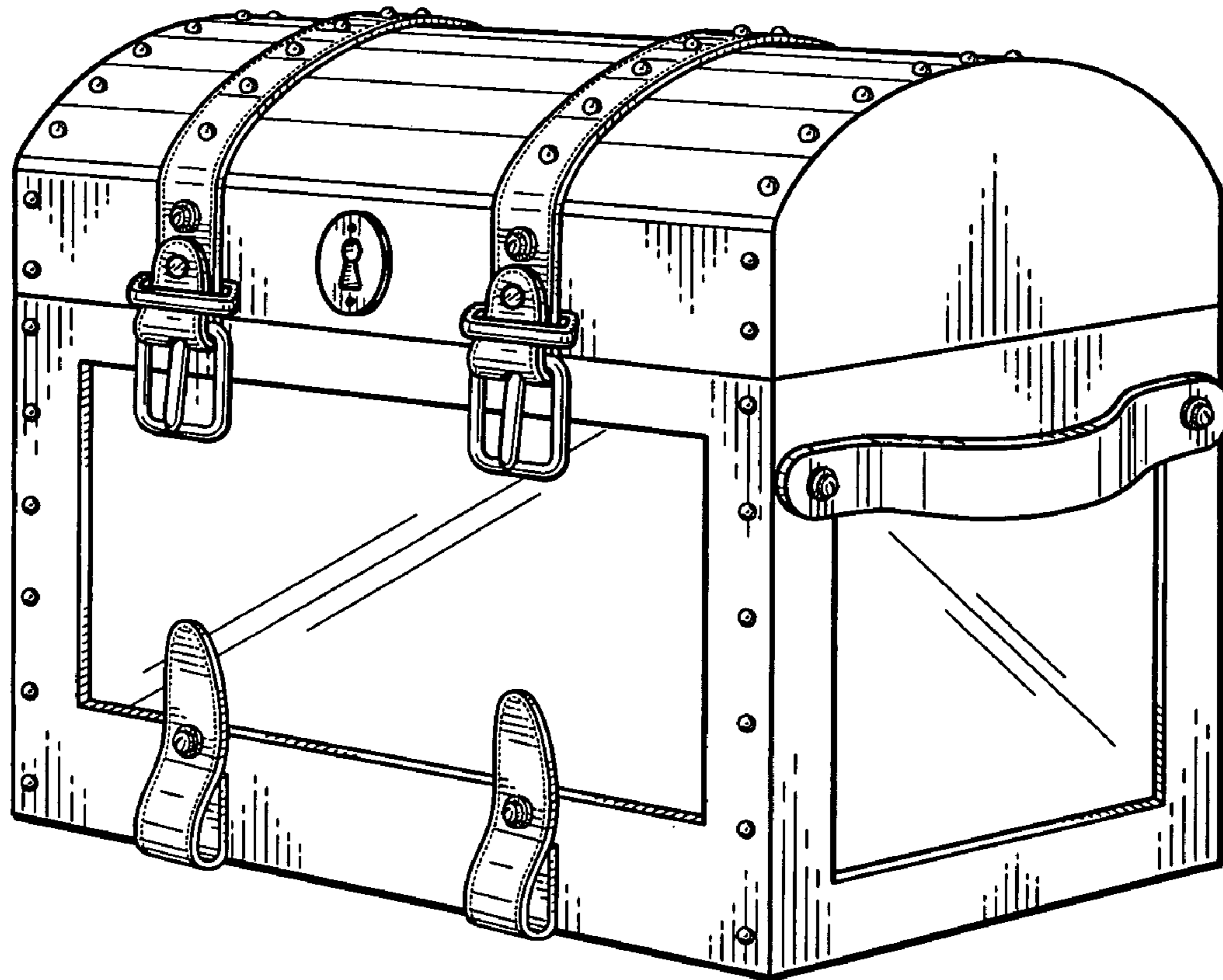


Fig. 6

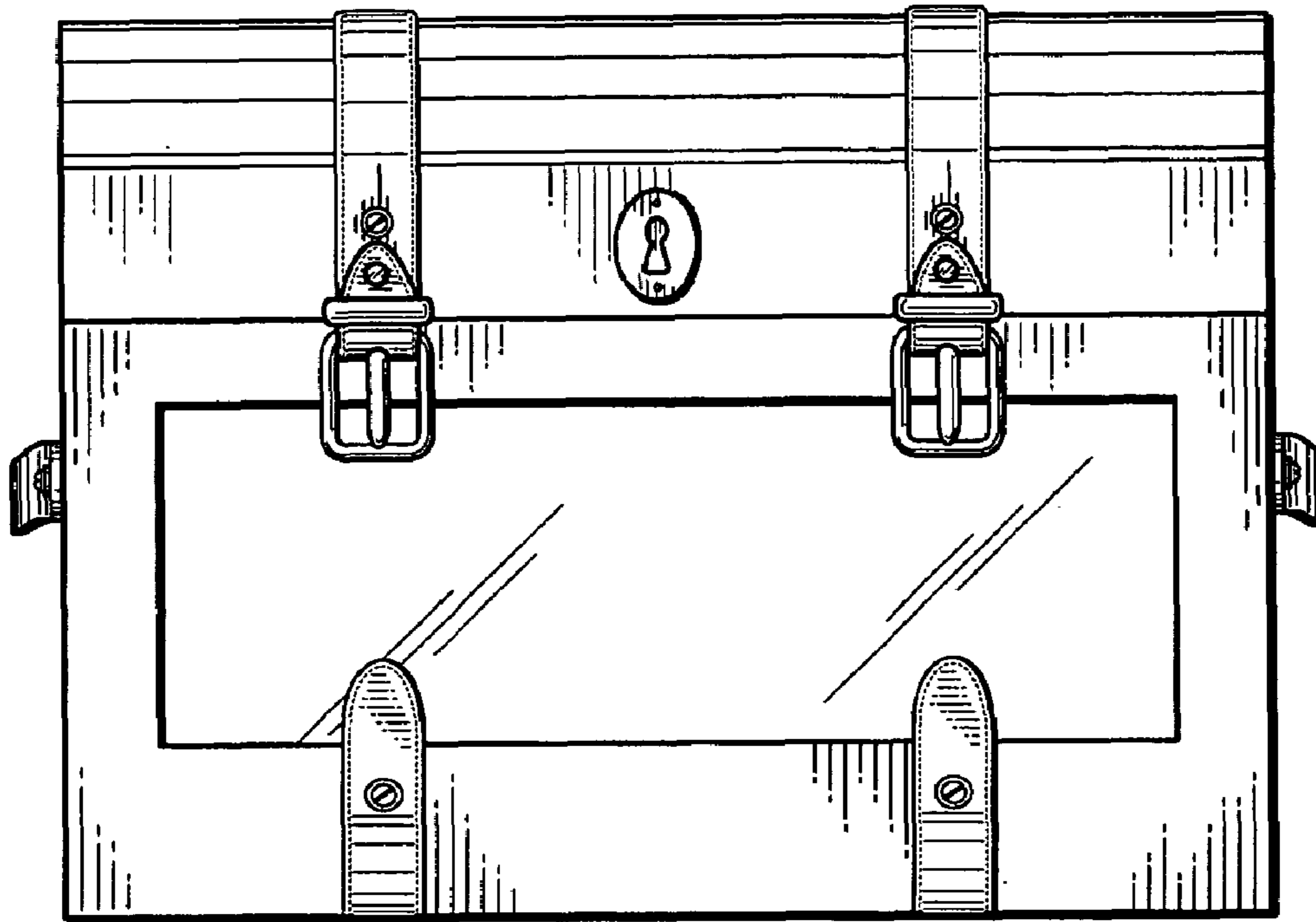


Fig. 7

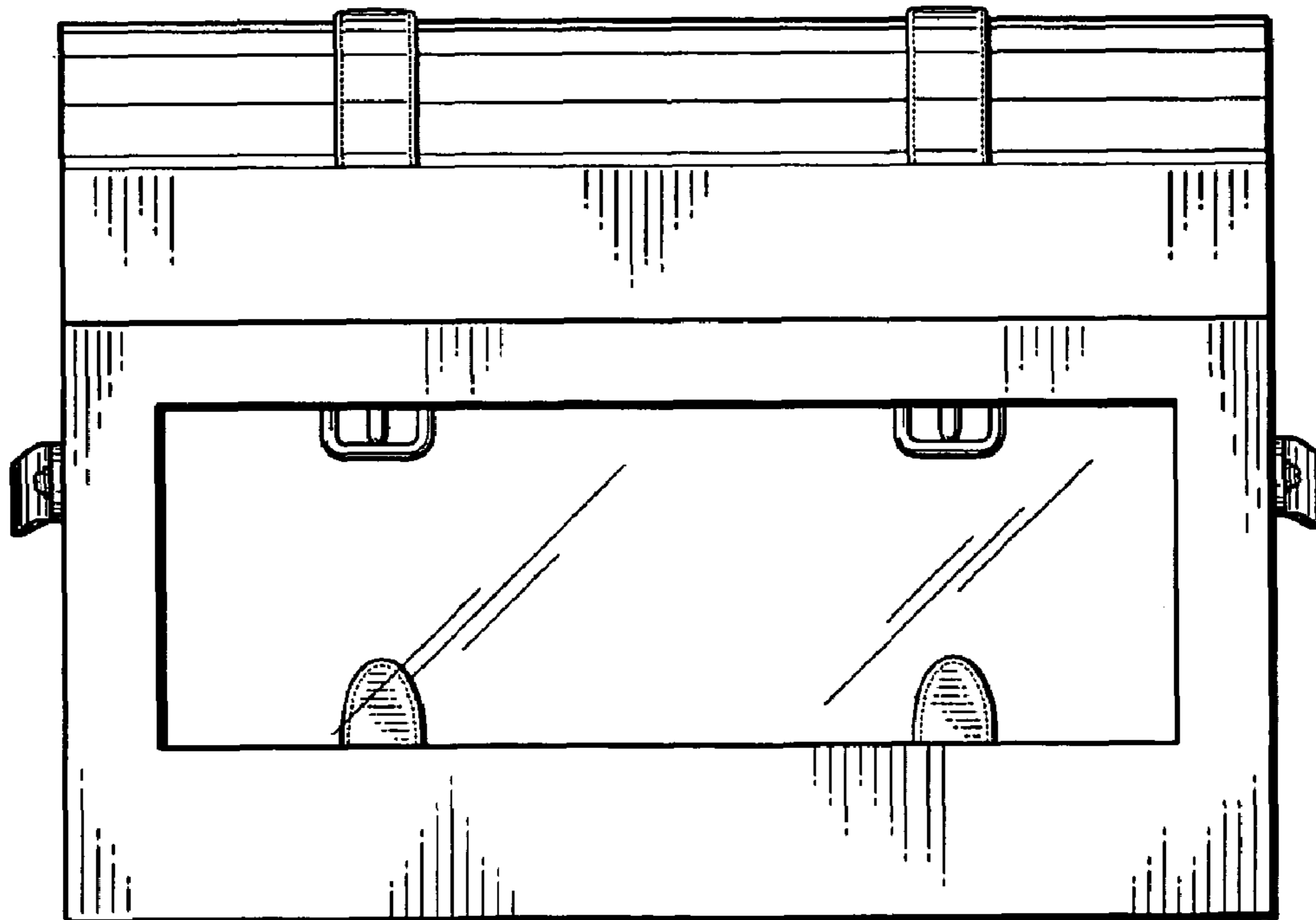


Fig. 8



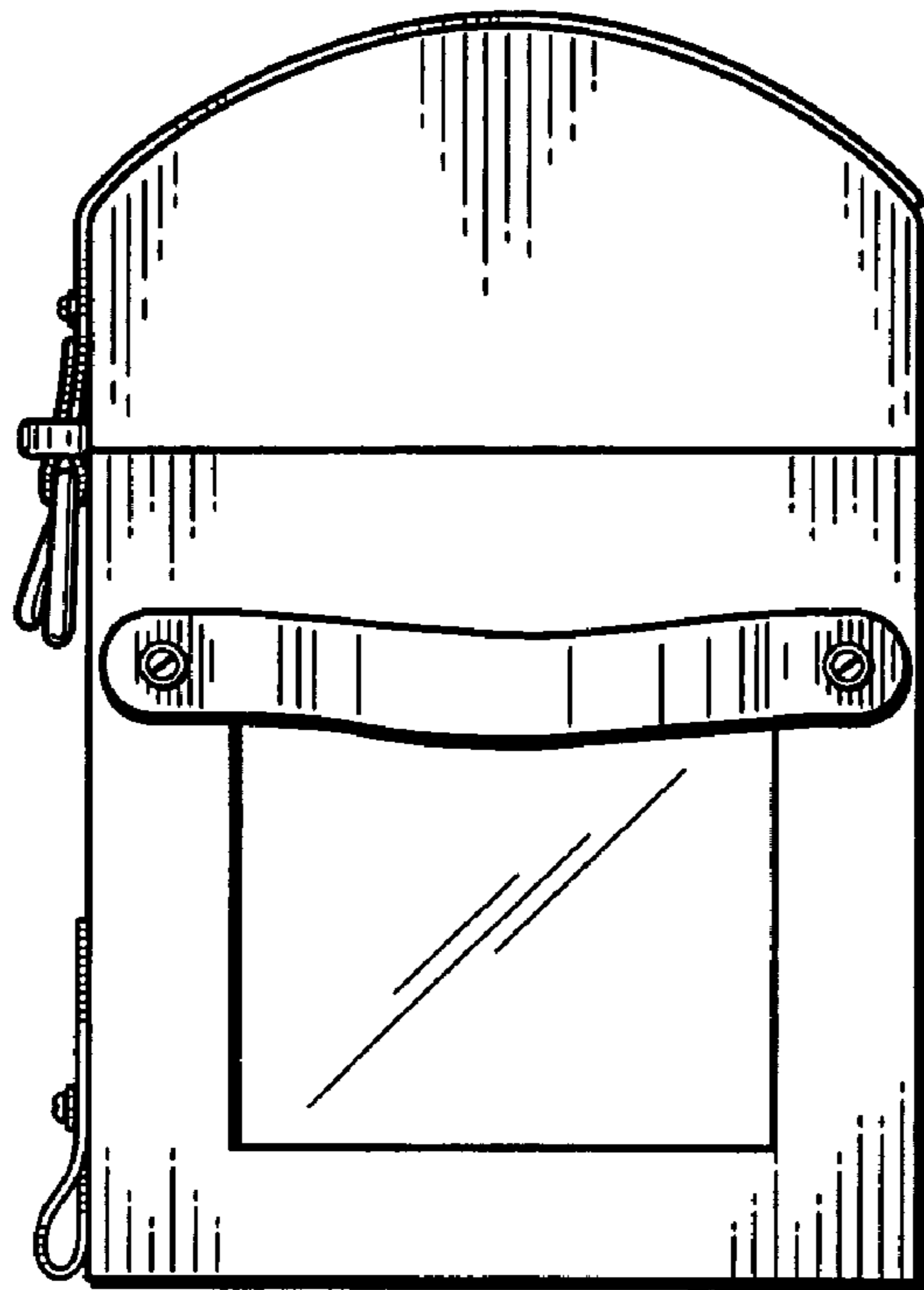


Fig. 9

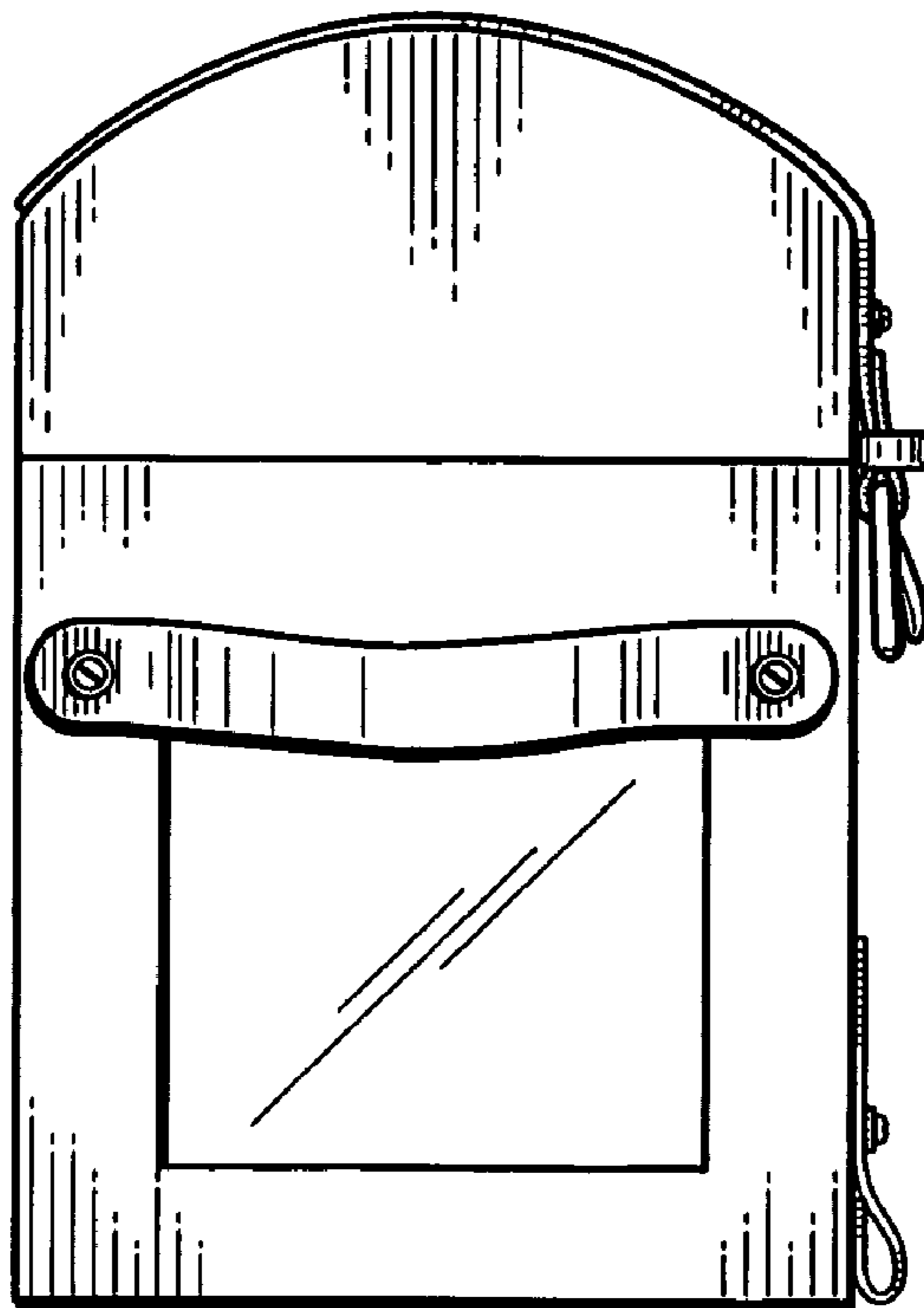


Fig. 10

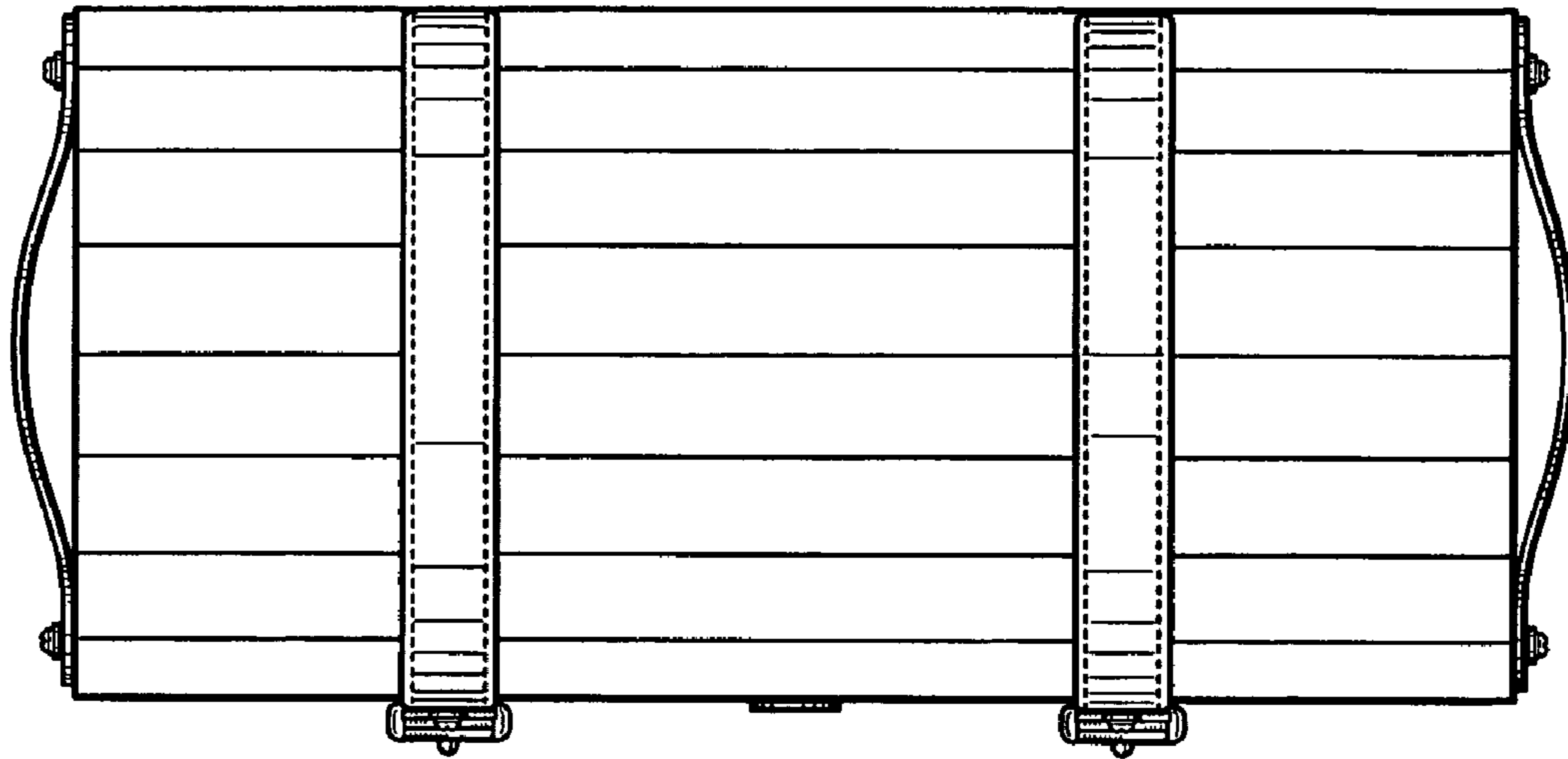


Fig. 11

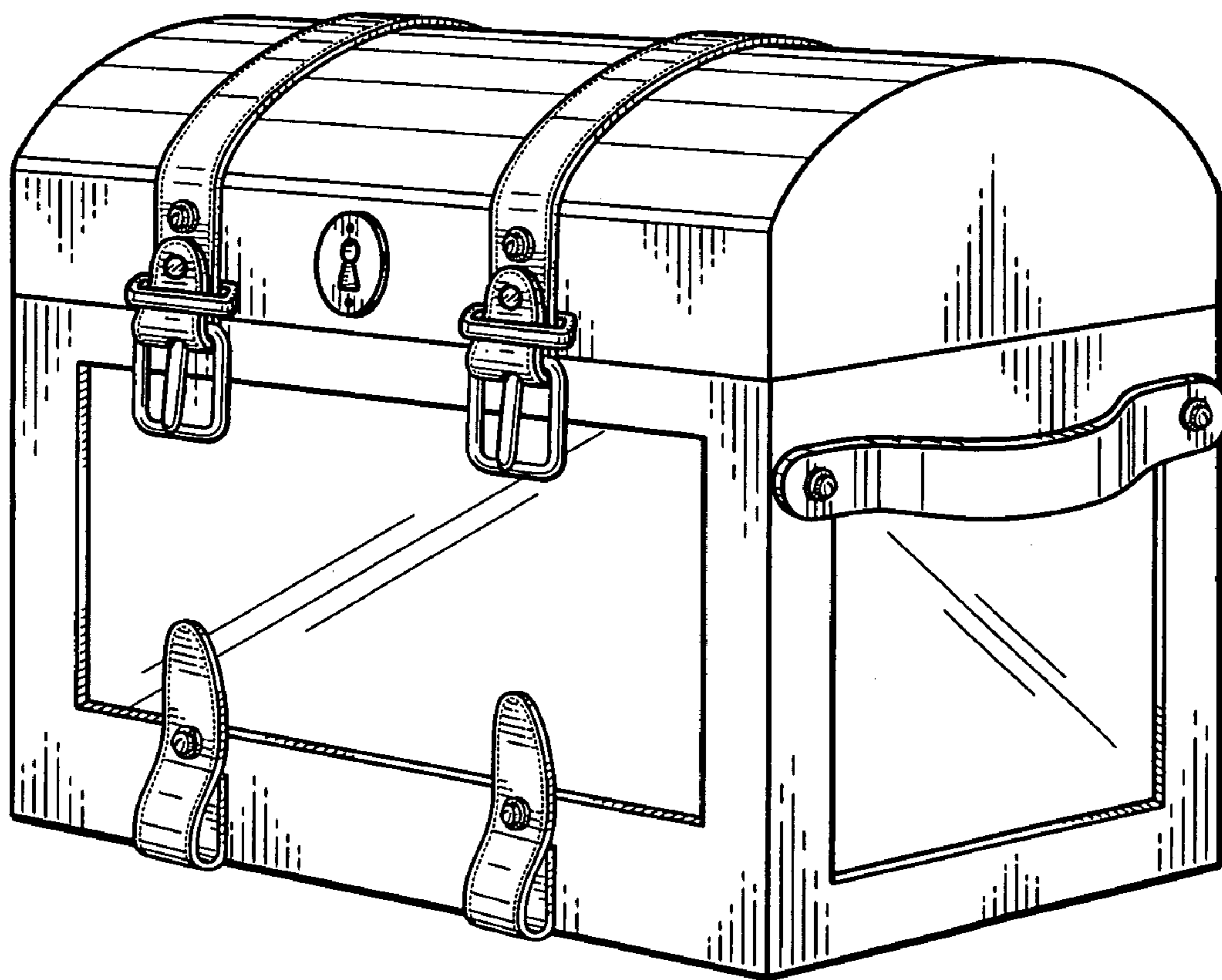


Fig. 12