

US00D545504S

(12) **United States Design Patent**
Robba

(10) **Patent No.:** **US D545,504 S**

(45) **Date of Patent:** **** Jun. 26, 2007**

(54) **FINGER STALLS OF A GOLF GLOVE**

D529,236 S * 9/2006 Litke et al. D29/123

(75) Inventor: **Mark C. Robba**, Plymouth, MA (US)

* cited by examiner

(73) Assignee: **Wilson Sporting Goods Co.**, Chicago, IL (US)

Primary Examiner—Robert A. Delehanty
(74) *Attorney, Agent, or Firm*—Terence P. O'Brien

(**) Term: **14 Years**

(57) **CLAIM**

(21) Appl. No.: **29/260,271**

I claim the ornamental design for finger stalls of a golf glove, as shown and described.

(22) Filed: **May 23, 2006**

DESCRIPTION

(51) **LOC (8) Cl.** **23-02**

(52) **U.S. Cl.** **D29/123**

(58) **Field of Classification Search** D2/610,
D2/616–623; D29/113, 116.2, 117.1, 117.2,
D29/118–119, 123; 2/455, 16, 19, 159, 116.1–161.8,
2/910; D24/190

See application file for complete search history.

FIG. 1 is a rear perspective view of finger stalls of a golf glove of the present design.

FIG. 2 is a rear view of the finger stalls of FIG. 1.

FIG. 3 is a first side view of the finger stalls of FIG. 1.

FIG. 4 is a second view of the finger stalls of FIG. 1.

FIG. 5 is a top view of the finger stalls of FIG. 1; and,

FIG. 6 is a top view of the finger stalls of FIG. 1 shown in a flexed position.

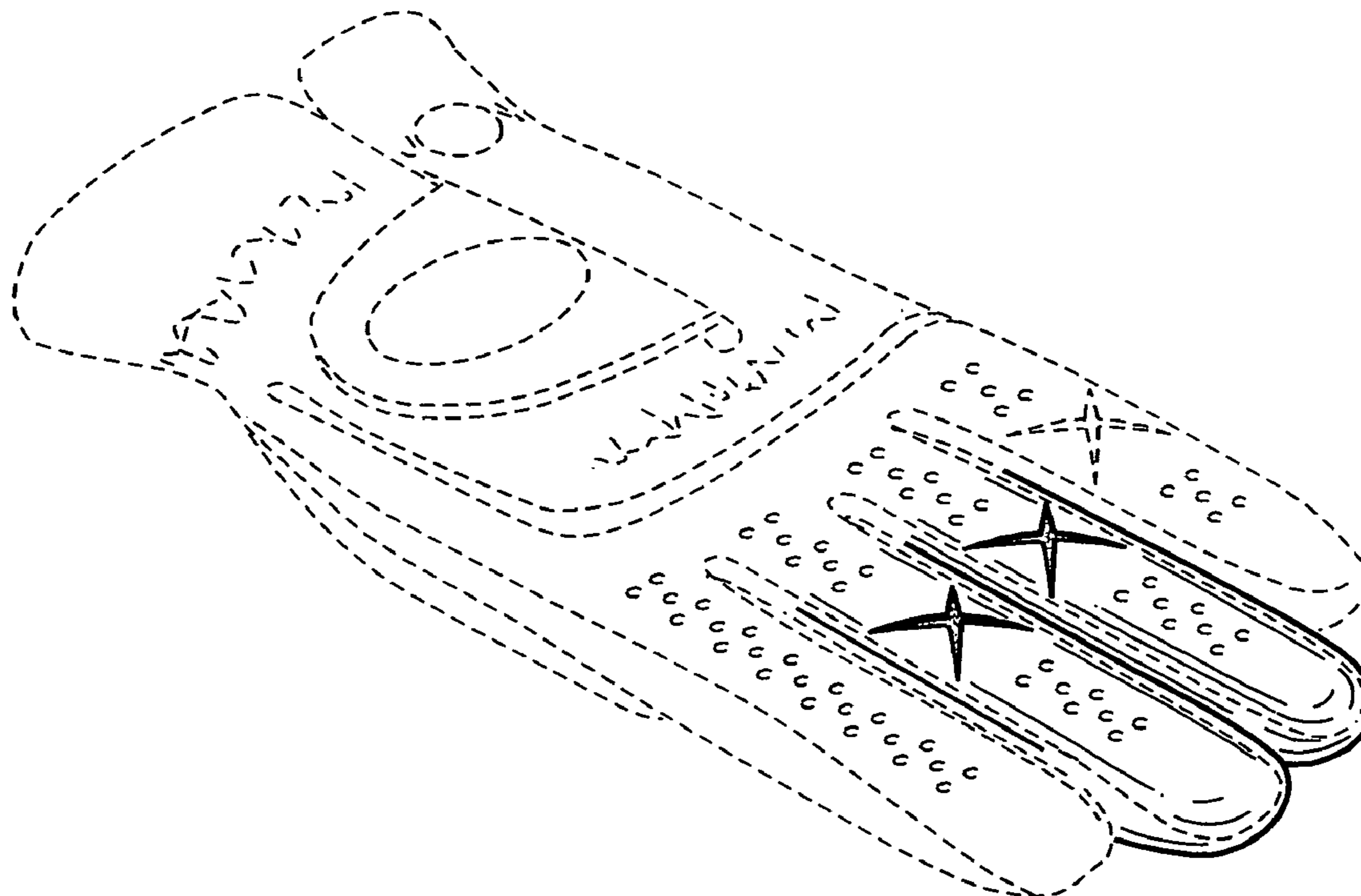
The ornamental design that is claimed is shown in solid lines in the drawings. The broken (dashed) lines shown in FIGS. 1 through 6 are included for the purpose of illustrating environmental elements only and form no part of the claimed design.

(56) **References Cited**

U.S. PATENT DOCUMENTS

2,074,762	A *	3/1937	Seyfried	601/136
3,588,915	A *	6/1971	Latina	2/19
5,184,353	A	2/1993	Goldwitz	2/161
6,279,163	B1 *	8/2001	Hale et al.	2/160
D471,343	S	3/2003	Sun	D2/623
D495,097	S	8/2004	Redwood et al.	D29/123
D497,456	S	10/2004	Sun	D29/116.2

1 Claim, 3 Drawing Sheets



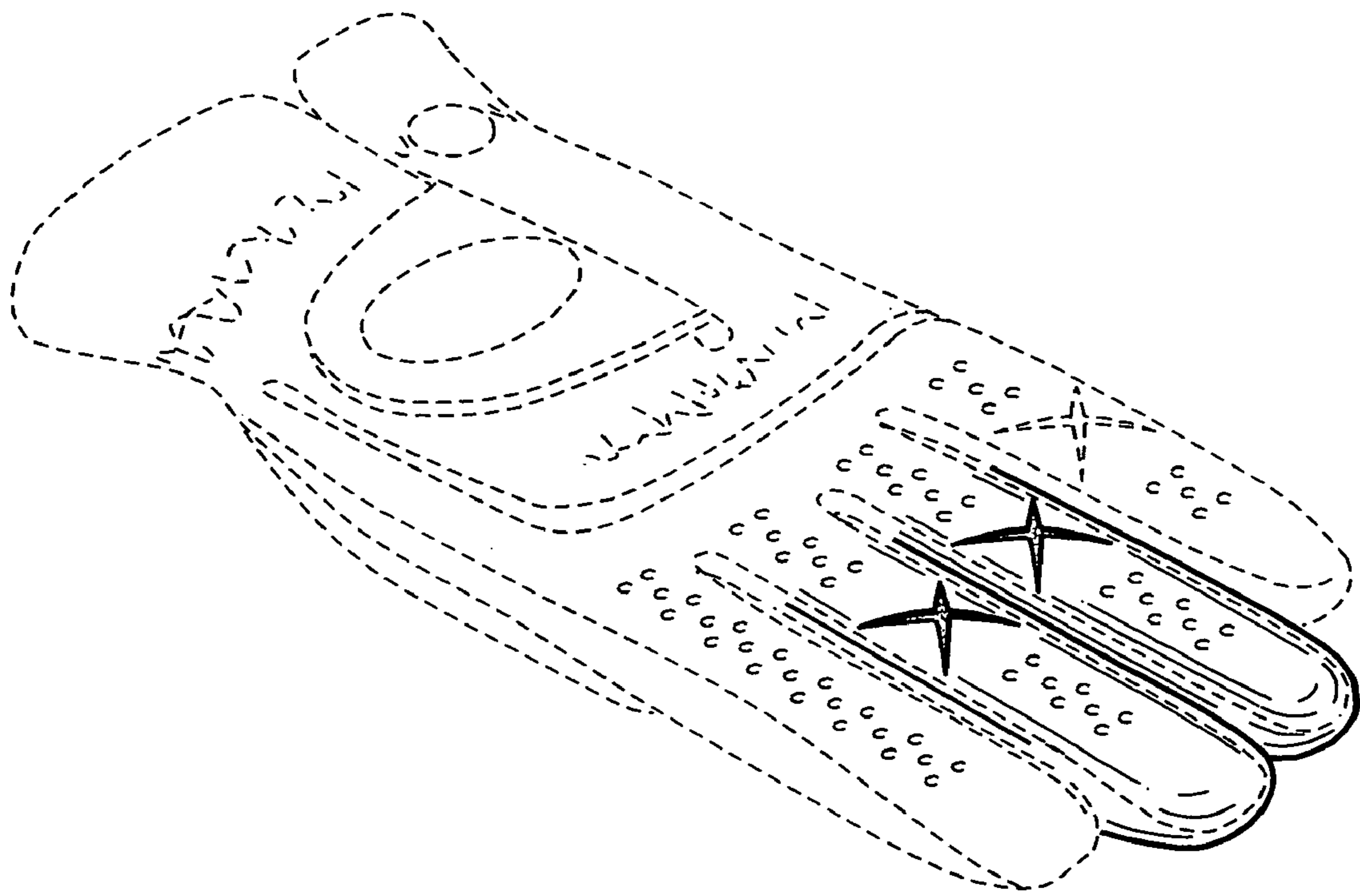


FIG. 1

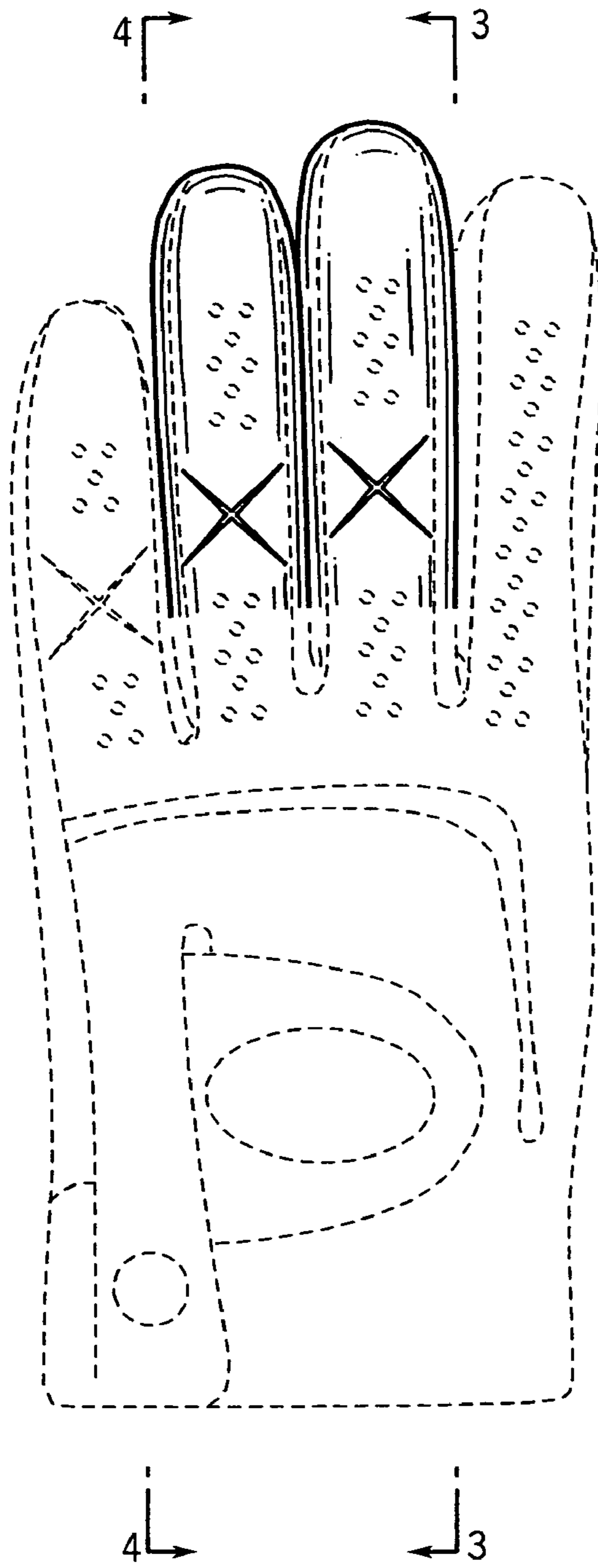


FIG. 2

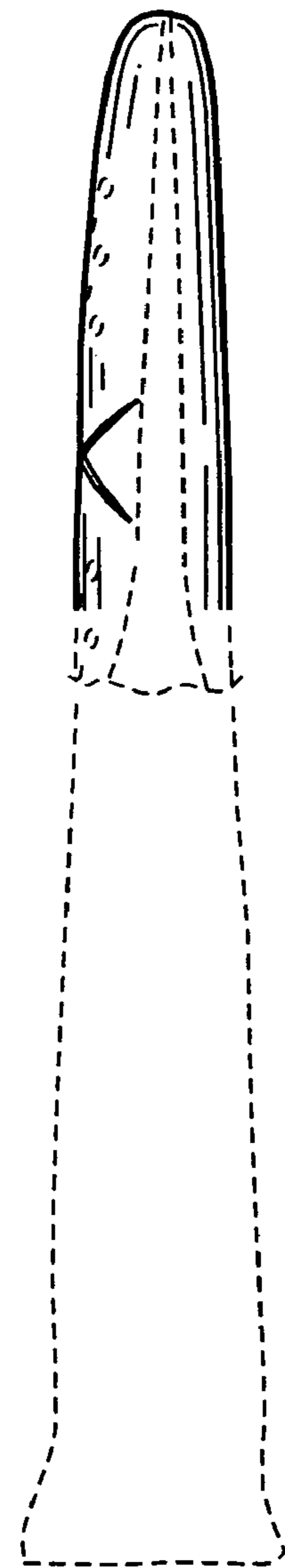


FIG. 3

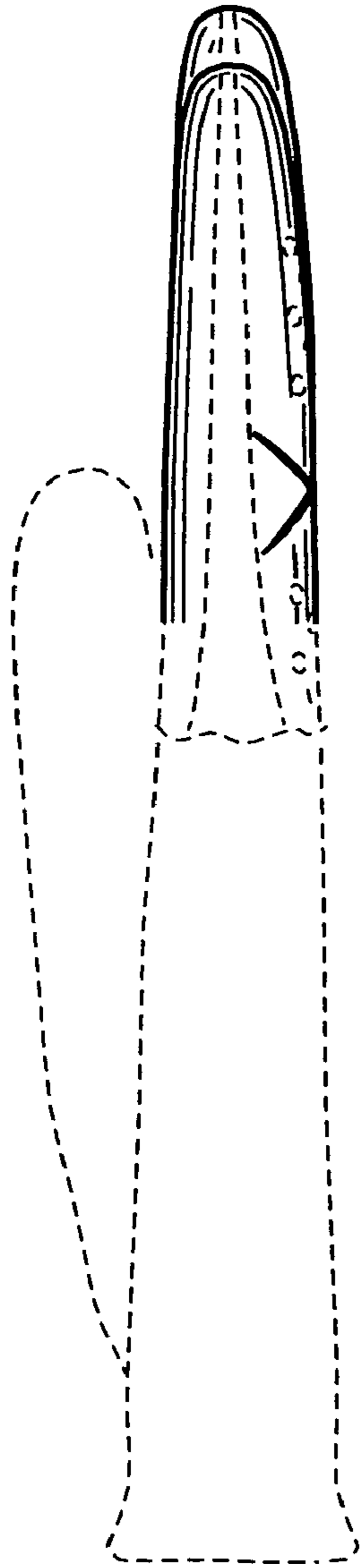


FIG. 4

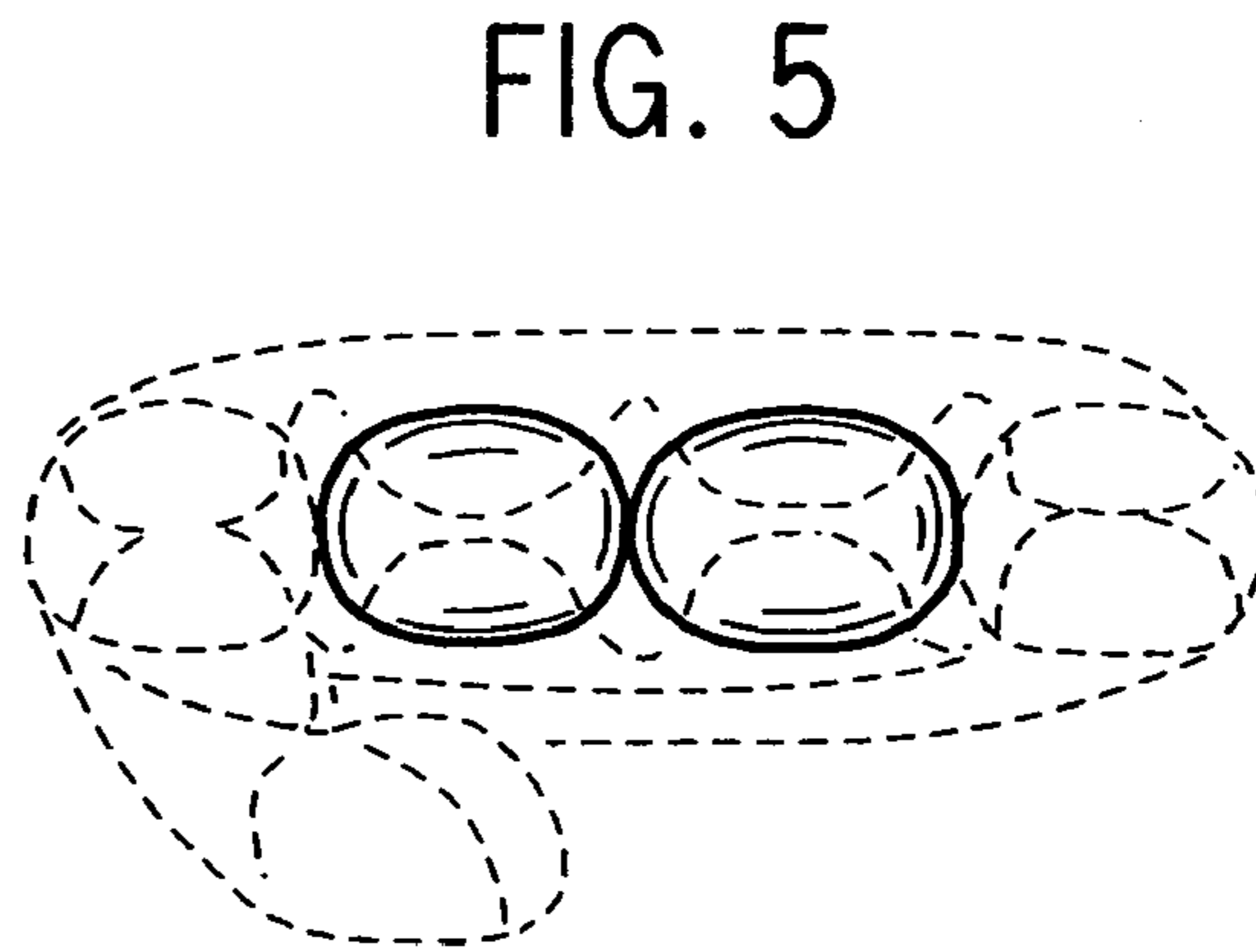


FIG. 5

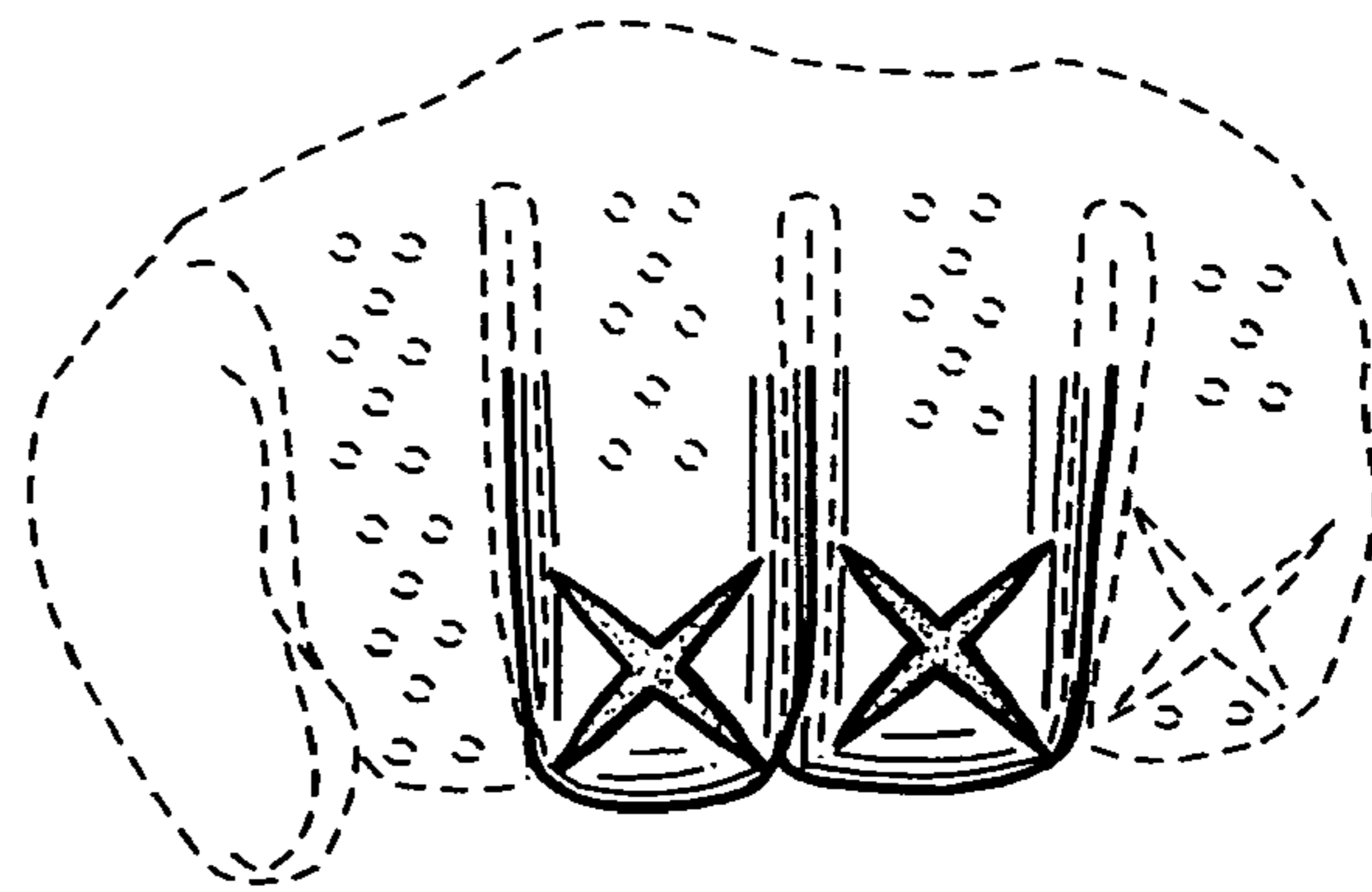


FIG. 6