



US00D545501S

(12) **United States Design Patent**  
**Green**

(10) **Patent No.:** **US D545,501 S**

(45) **Date of Patent:** **\*\* Jun. 26, 2007**

(54) **HELMET WITH AIR FLOW RIB STRUCTURE**

(75) **Inventor:** **Lawrence J. Green**, Santa Ana, CA (US)

(73) **Assignee:** **Pabban Development Inc.**, Irvine, CA (US)

(\*\*) **Term:** **14 Years**

(21) **Appl. No.:** **29/260,575**

(22) **Filed:** **May 30, 2006**

(51) **LOC (8) Cl.** ..... **29-02**

(52) **U.S. Cl.** ..... **D29/103**

(58) **Field of Classification Search** ..... D29/102-107, D29/122; 2/410-411, 414-421, 423-425, 2/7, 171.3, 182.3, 906, 422; 128/201.22, 128/201.25; 62/259.3, 259.4; D23/370  
See application file for complete search history.

(56) **References Cited**

**U.S. PATENT DOCUMENTS**

- D275,334 S \* 9/1984 Pullin ..... D29/103
- 6,122,773 A \* 9/2000 Katz ..... 2/171.3
- D460,584 S \* 7/2002 Green ..... D29/102
- D468,062 S \* 12/2002 Santiago ..... D29/103

- 6,918,141 B2 \* 7/2005 Green et al. .... 2/424
- 7,010,813 B2 \* 3/2006 Ahn et al. .... 2/171.3
- 7,114,194 B2 \* 10/2006 English ..... 2/171.3
- 2005/0060788 A1 \* 3/2005 Green et al. .... 2/171.3
- 2005/0108807 A1 \* 5/2005 Ahn et al. .... 2/171.3

\* cited by examiner

*Primary Examiner*—Ruth McInroy

(74) *Attorney, Agent, or Firm*—G. Donald Weber, Jr.

(57) **CLAIM**

The ornamental design for a helmet with air flow rib structure, as shown and described.

**DESCRIPTION**

FIG. 1 is a rear oblique view of a helmet with air flow rib structure showing my new design;

FIG. 2 is a front oblique view thereof;

FIG. 3 is a top plan view thereof;

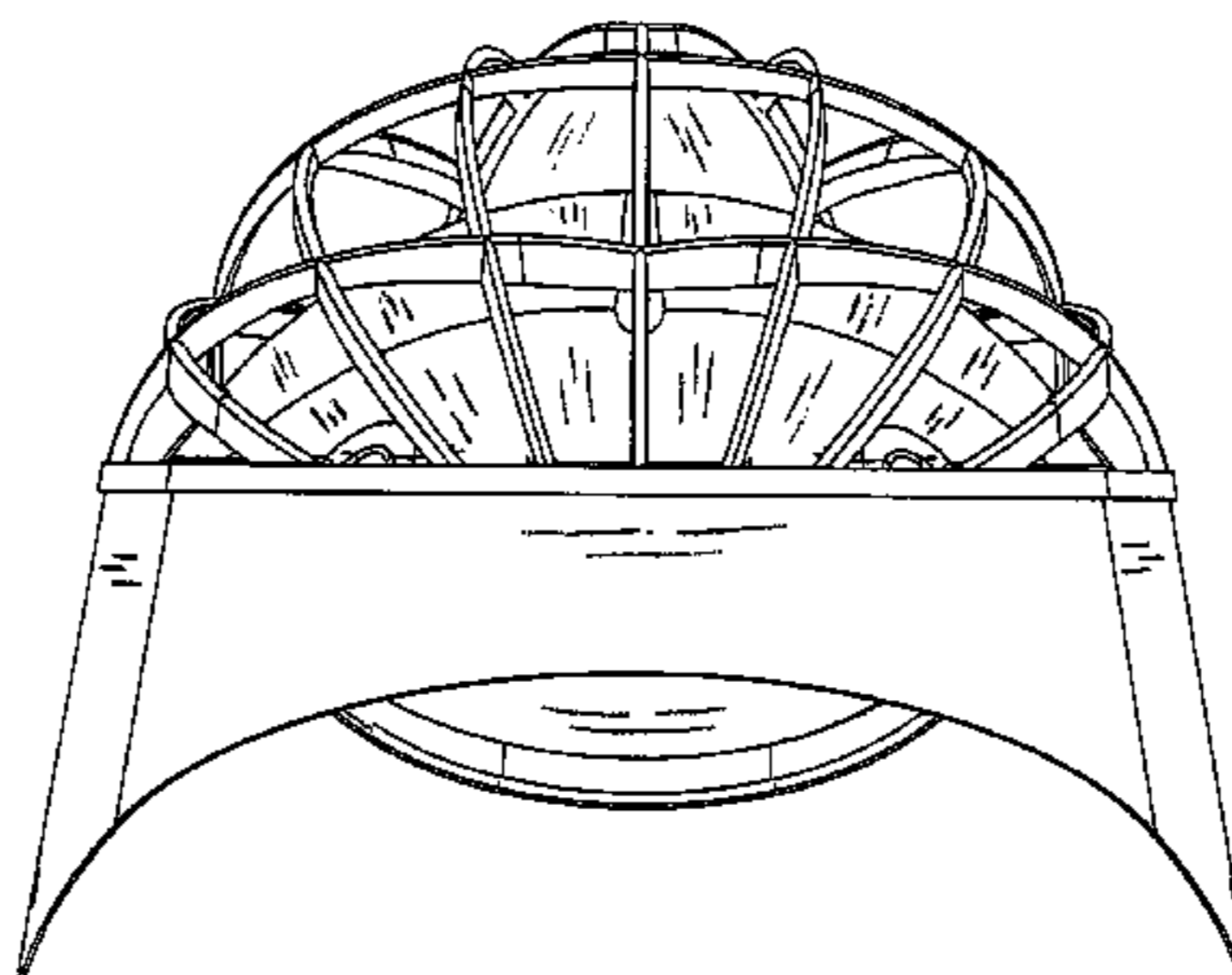
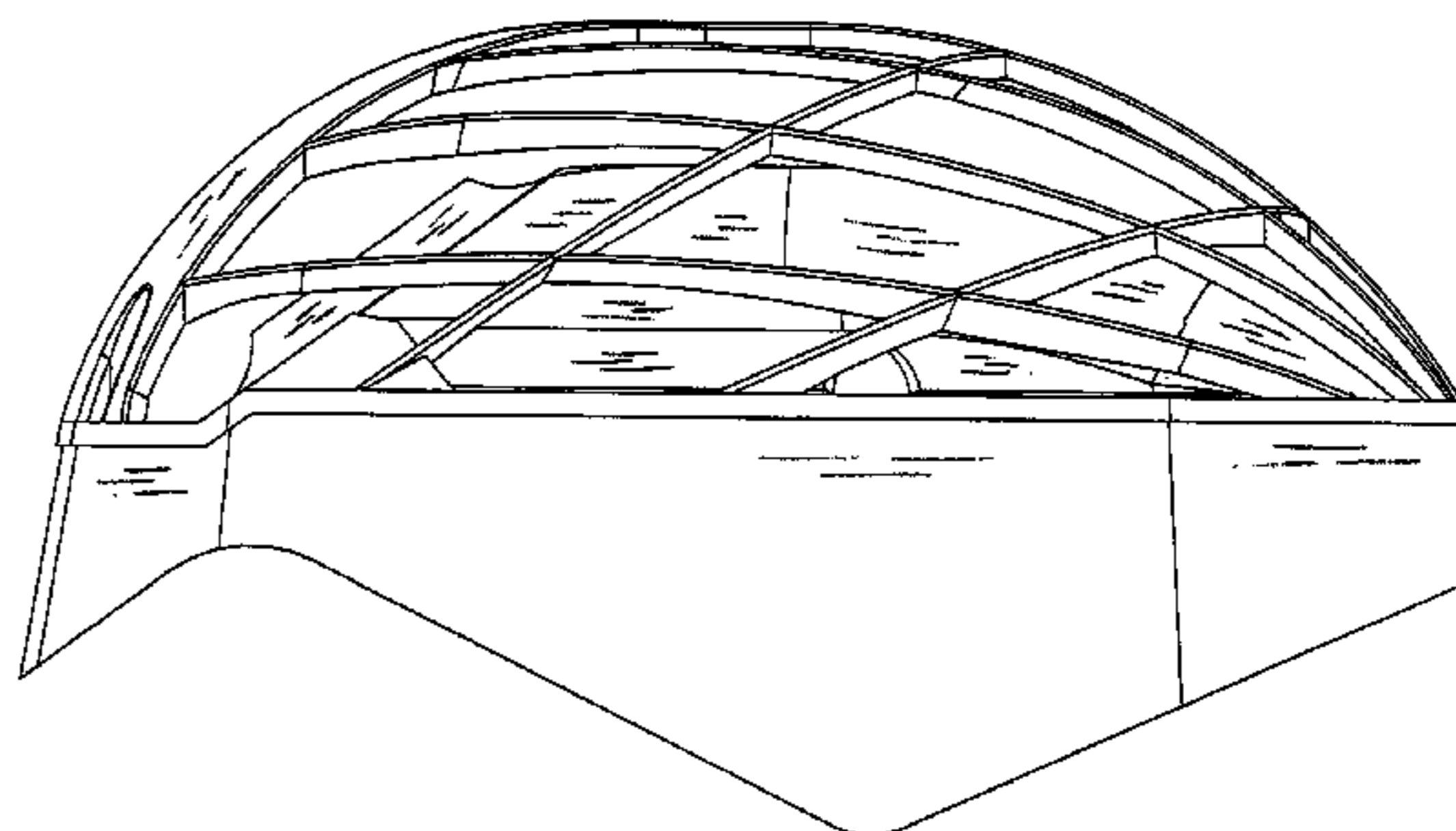
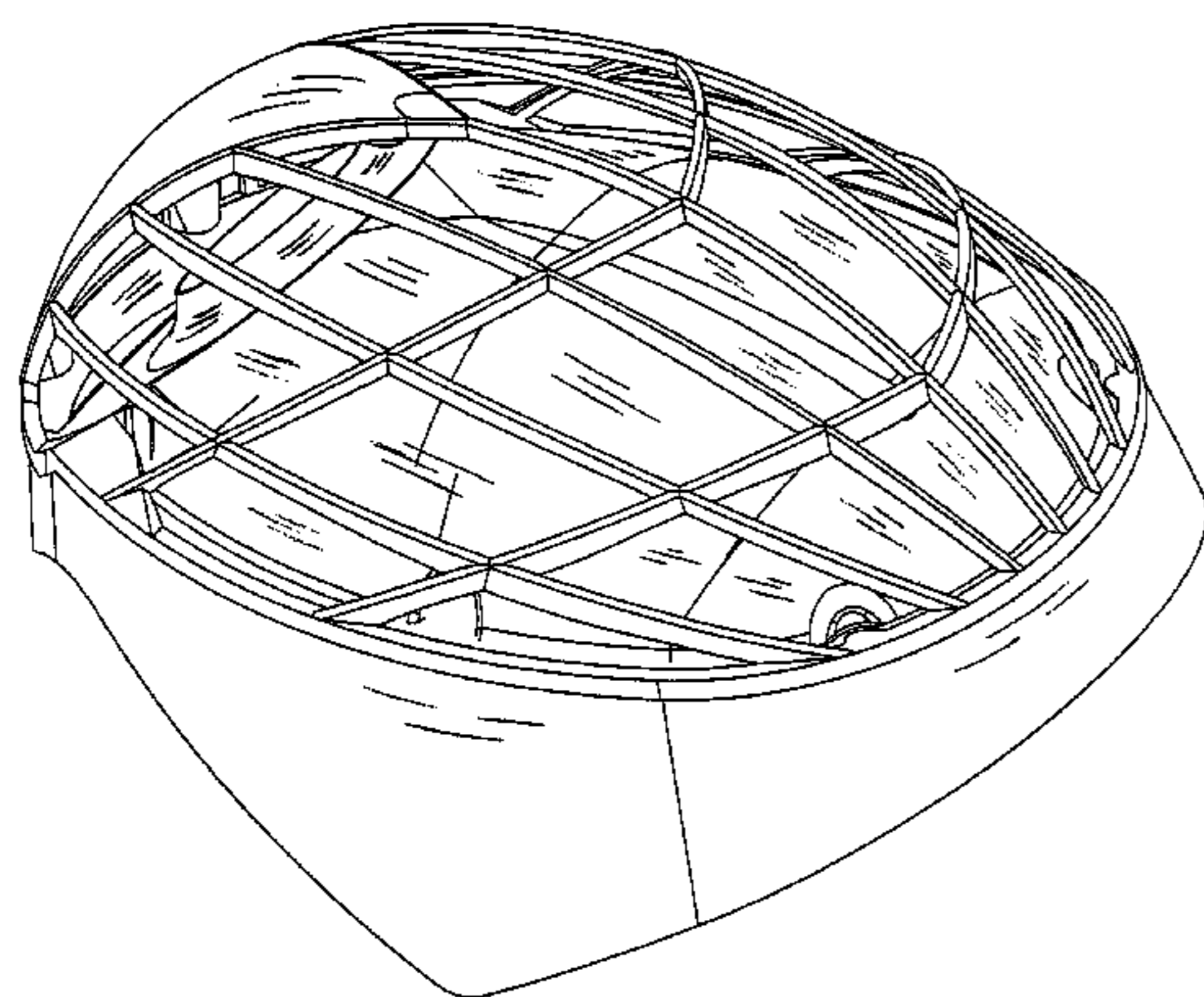
FIG. 4 is a side elevation view thereof, the opposite side being a mirror image;

FIG. 5 is a front elevation view thereof;

FIG. 6 is a rear elevation view thereof; and,

FIG. 7 is a bottom plan view thereof.

**1 Claim, 7 Drawing Sheets**



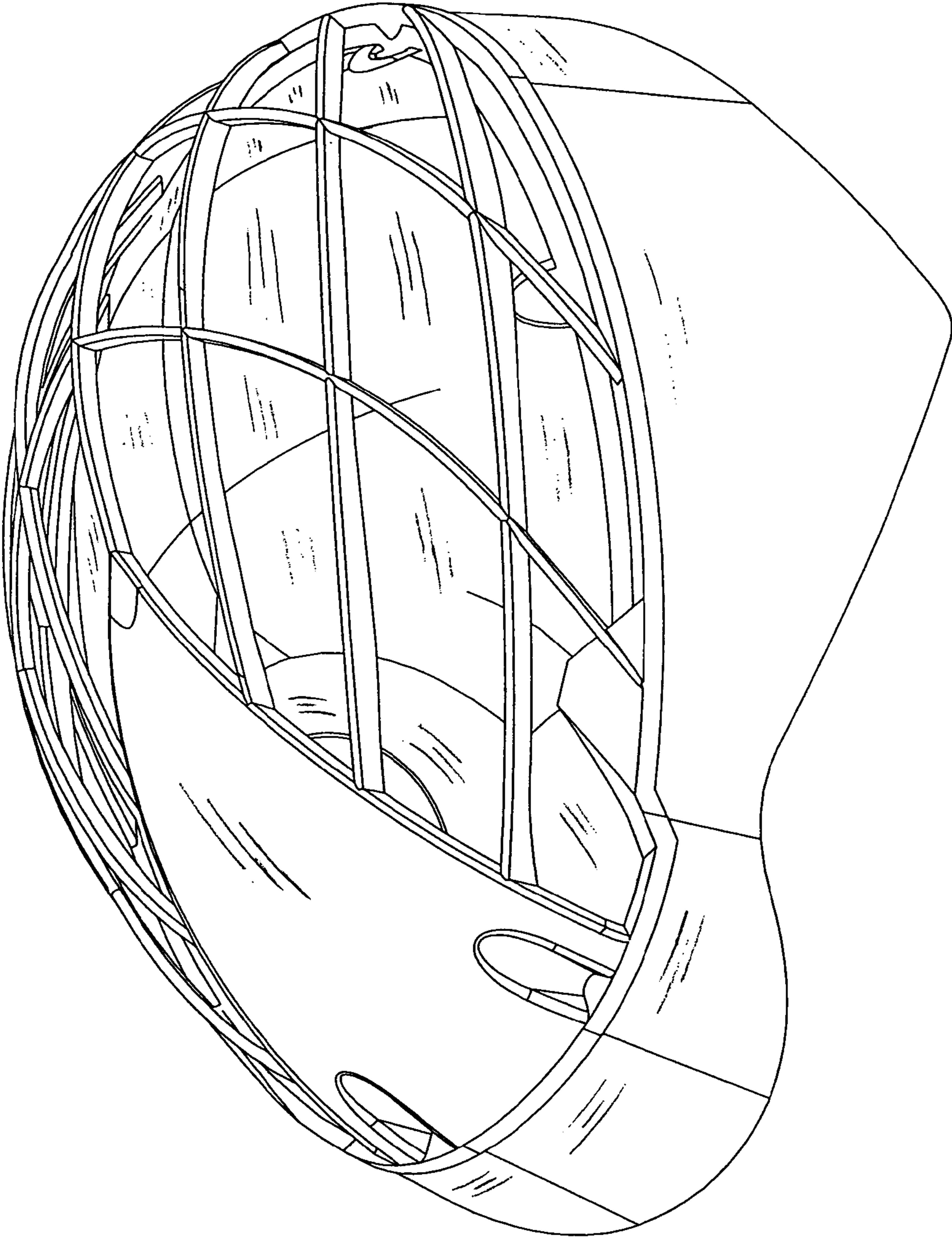


figure 1

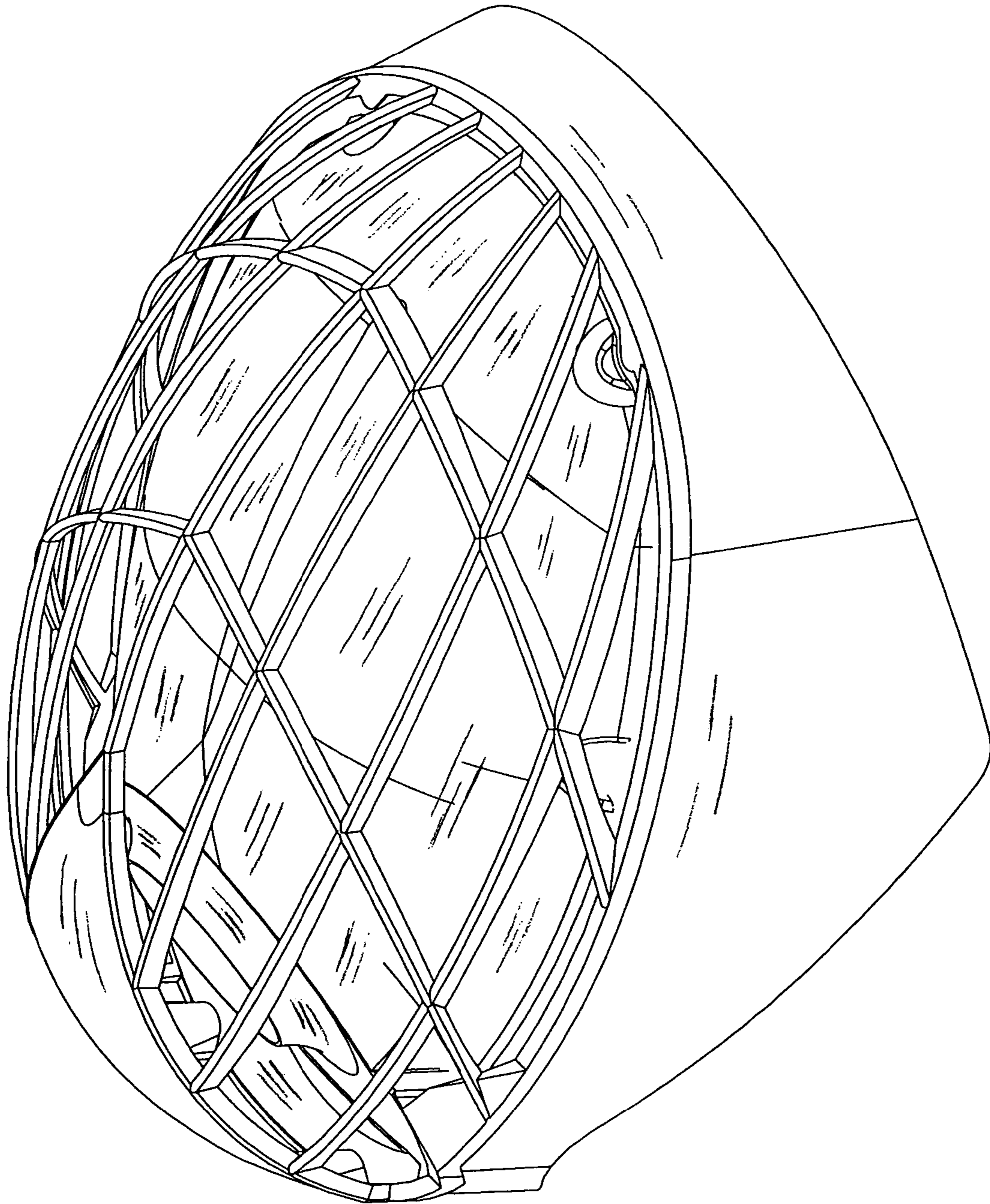


figure 2

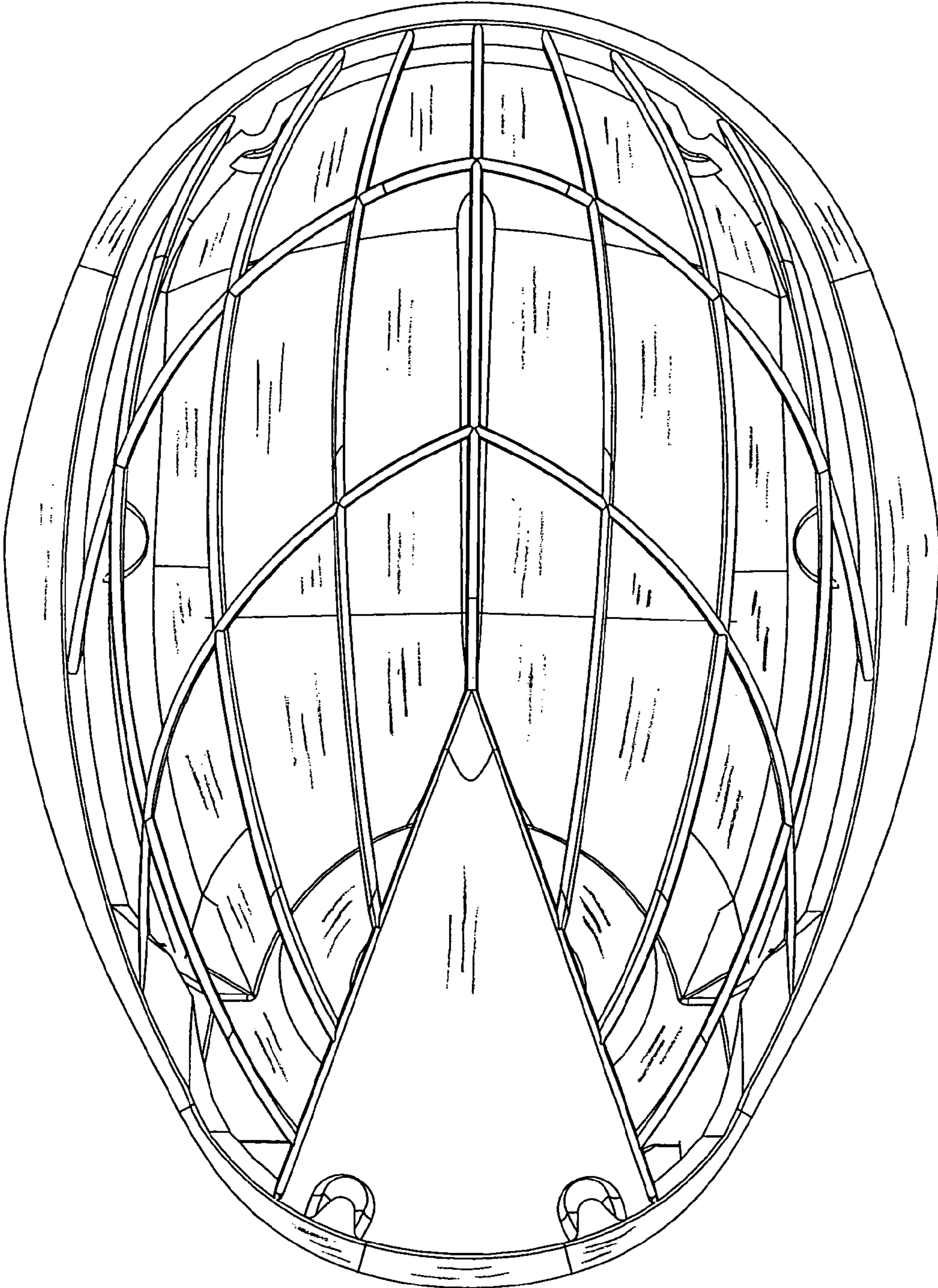


figure 3

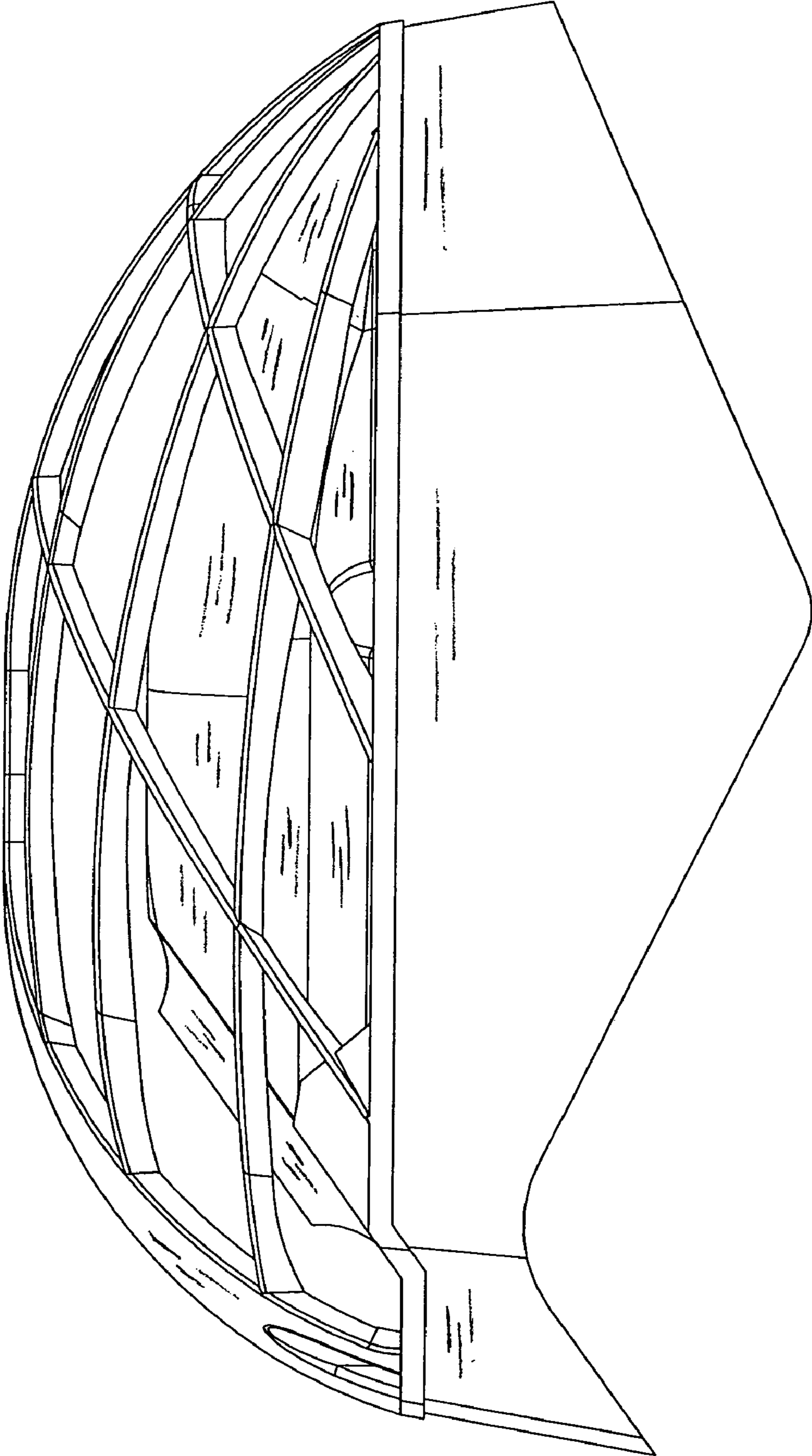


figure 4

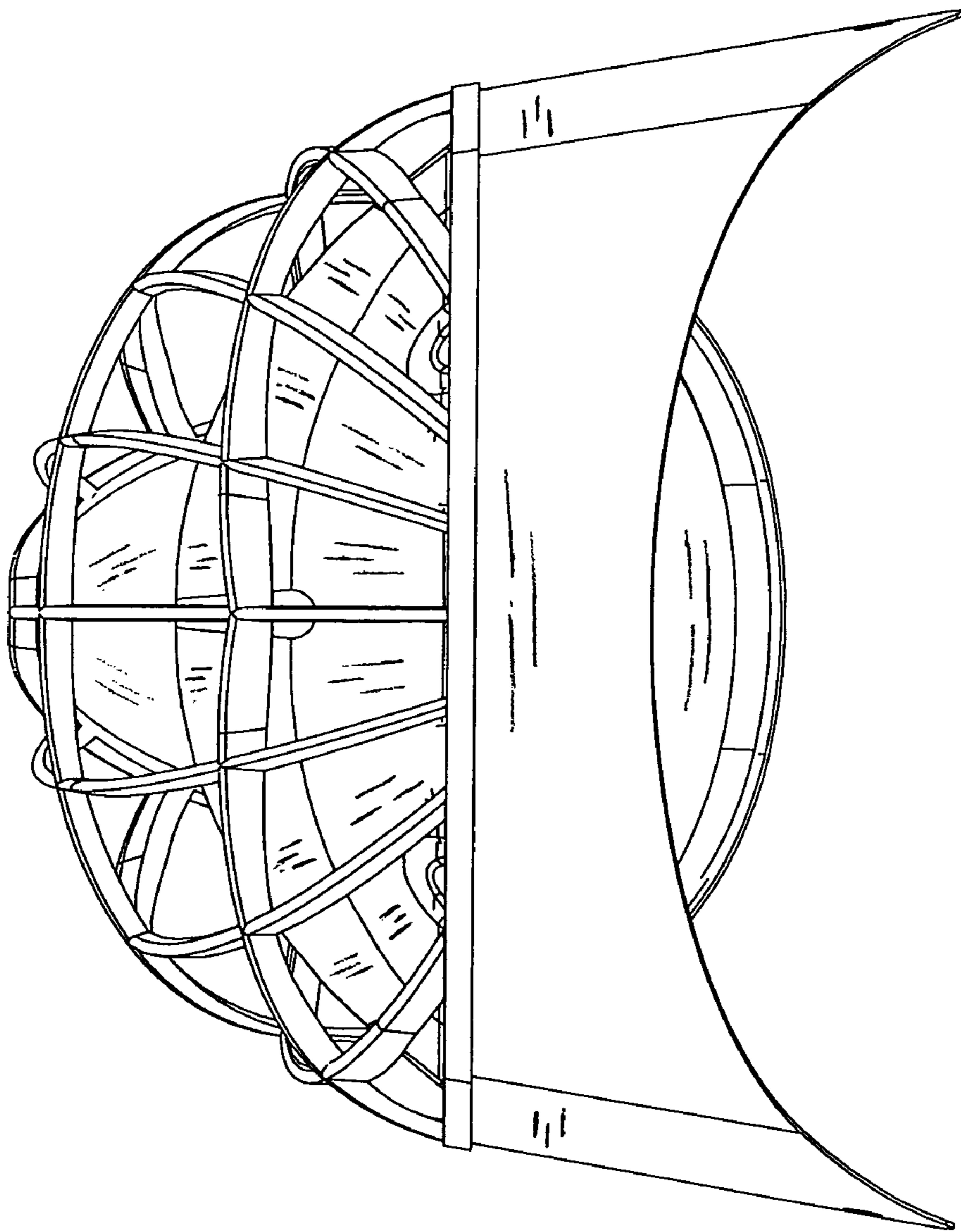


figure 5

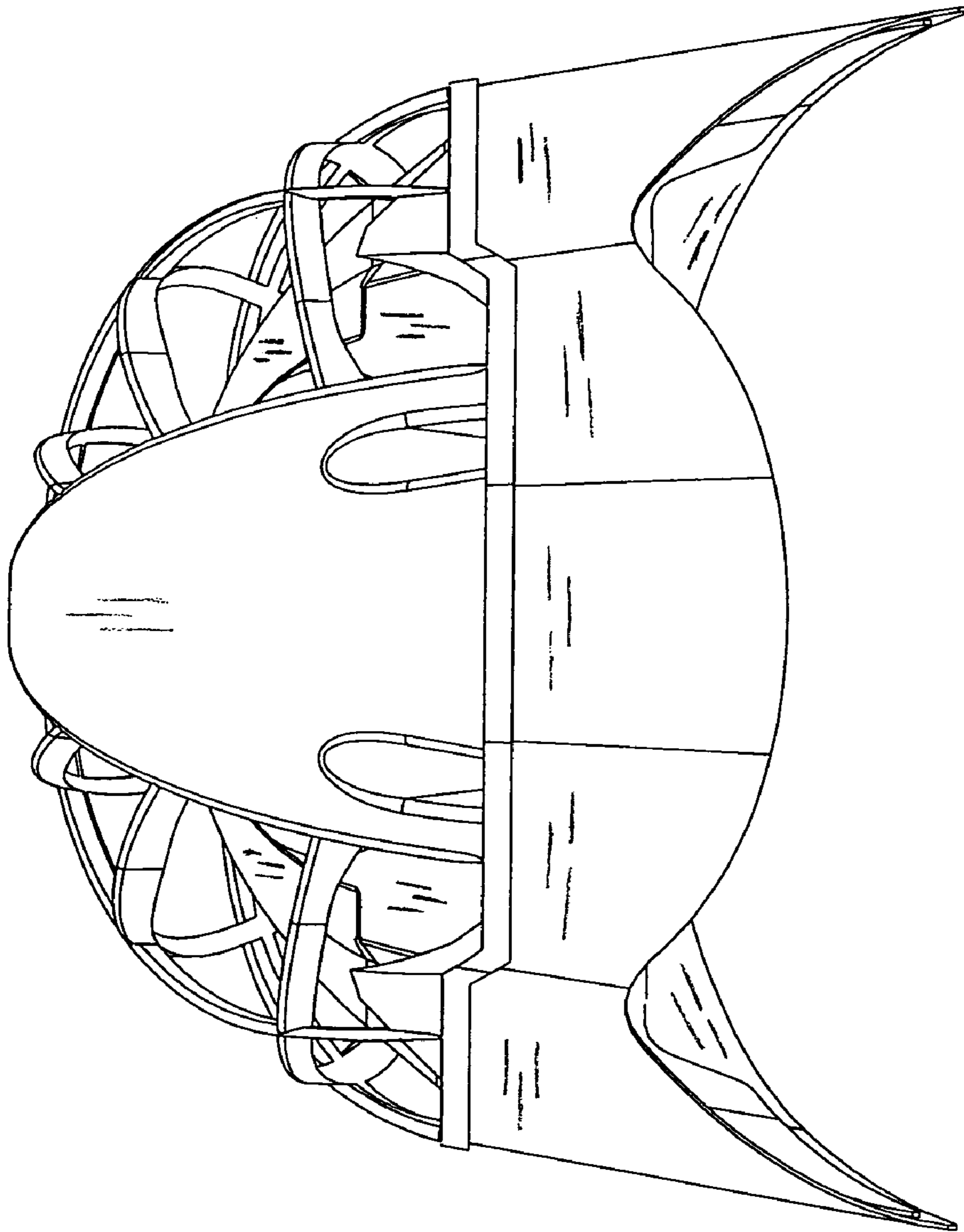


figure 6

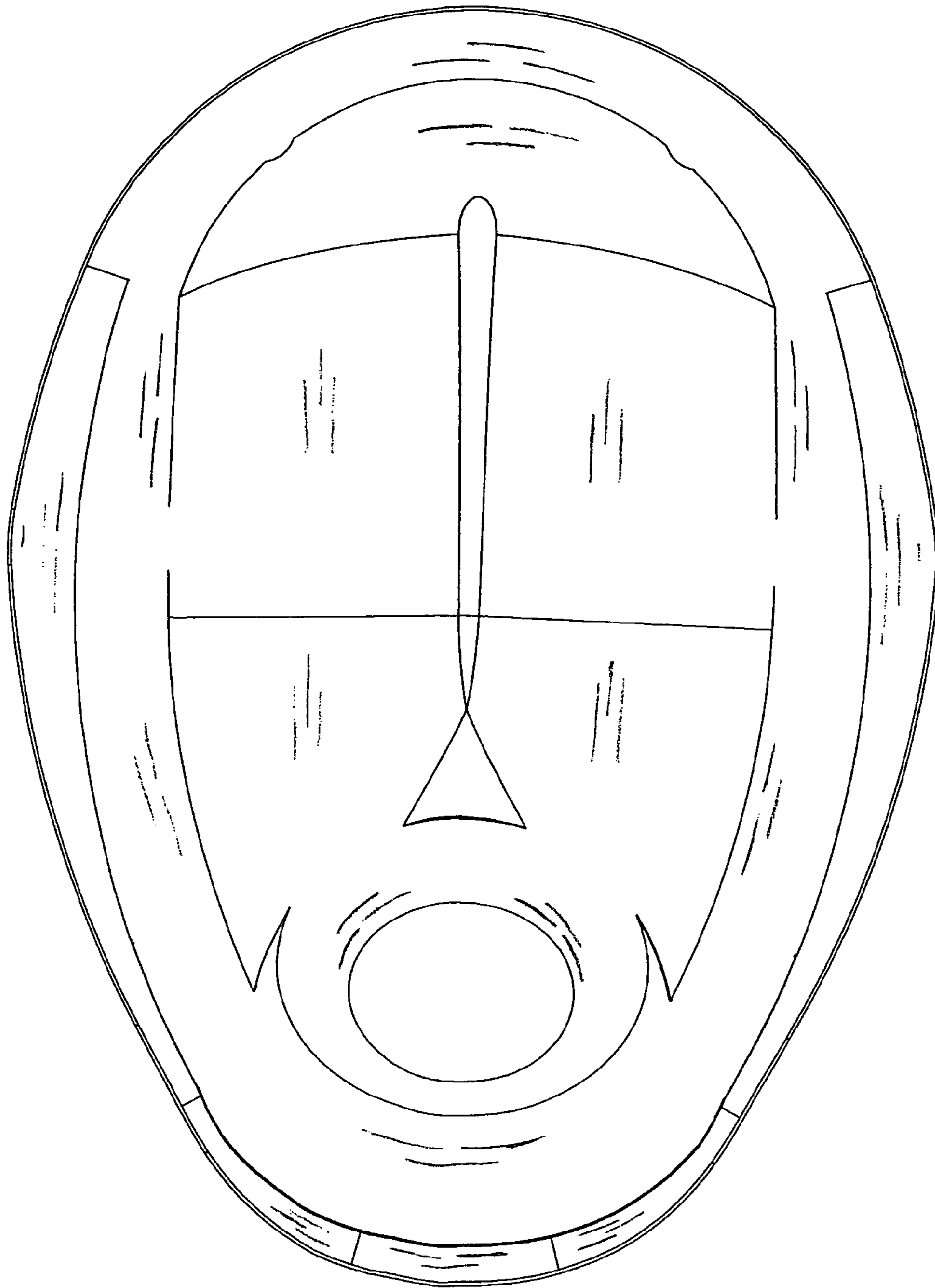


figure 7