



US00D545497S

(12) **United States Design Patent**  
**Feng et al.**

(10) **Patent No.:** **US D545,497 S**  
(45) **Date of Patent:** **\*\* Jun. 26, 2007**

(54) **NAIL CARE IMPLEMENT AND CASE**

(75) Inventors: **Feng (Jeffery) Feng**, Chesterfield, MO (US); **David D. Kusch**, St. Louis, MO (US); **Jayne B. Lynch**, St. Louis, MO (US); **Bryce G. Rutter**, St. Louis, MO (US); **Jonathan Paul Sundy**, St. Louis, MO (US)

(73) Assignee: **Revlon Consumer Products Corporation**, New York, NY (US)

(\*\*) Term: **14 Years**

(21) Appl. No.: **29/250,538**

(22) Filed: **Nov. 20, 2006**

(51) **LOC (8) Cl.** ..... **28-03**

(52) **U.S. Cl.** ..... **D28/59**

(58) **Field of Classification Search** ..... D28/56;  
132/73, 73.5, 75.3, 75.6, 76.2, 76.4, 76.5  
See application file for complete search history.

(56) **References Cited**

**U.S. PATENT DOCUMENTS**

D284,225 S *	6/1986	Dulick	.....	D28/59
D373,854 S *	9/1996	Hudson	.....	D28/59
D435,318 S *	12/2000	Rieser	.....	D28/59

\* cited by examiner

*Primary Examiner*—Jennifer Rivard  
(74) *Attorney, Agent, or Firm*—Joy S. Goudie

(57) **CLAIM**

The ornamental design for a nail care implement and case, as shown and described.

**DESCRIPTION**

FIG. 1: is a front perspective view of the nail care implement and case.

FIG. 2: is an exploded view of the nail care implement and case;

FIG. 3: is a front elevational view of the nail care implement and case;

FIG. 4: is a rear elevational view thereof;

FIG. 5: is a top plan view thereof;

FIG. 6: is a bottom plan view thereof;

FIG. 7: is an exploded view of the nail care implement and case;

FIG. 8: is a right side perspective view of the nail care implement;

FIG. 9: is a top plan view thereof;

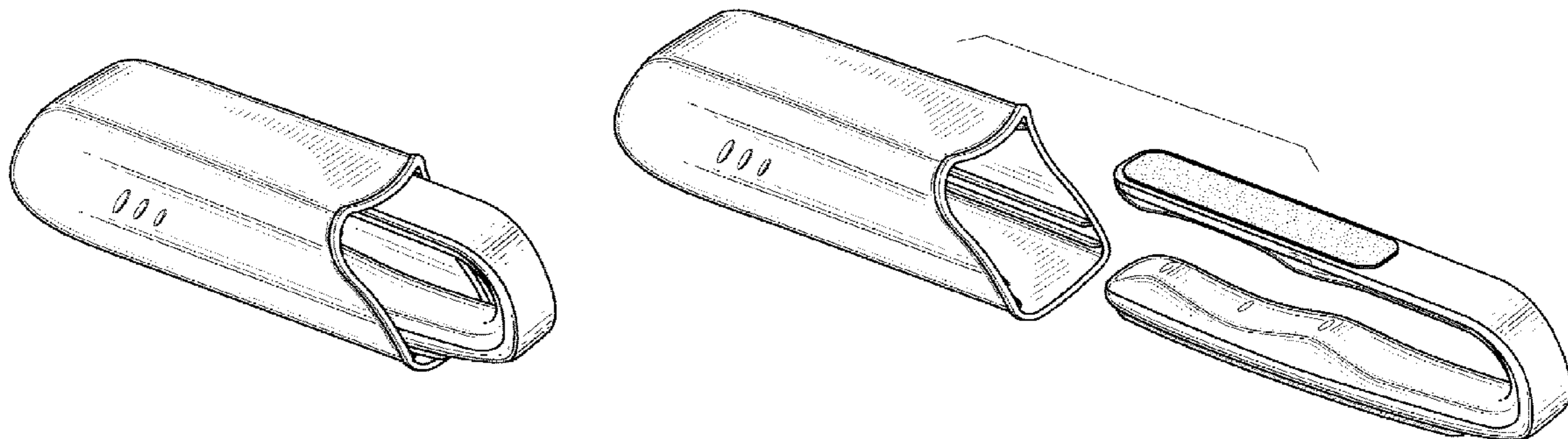
FIG. 10: is a bottom plan view thereof;

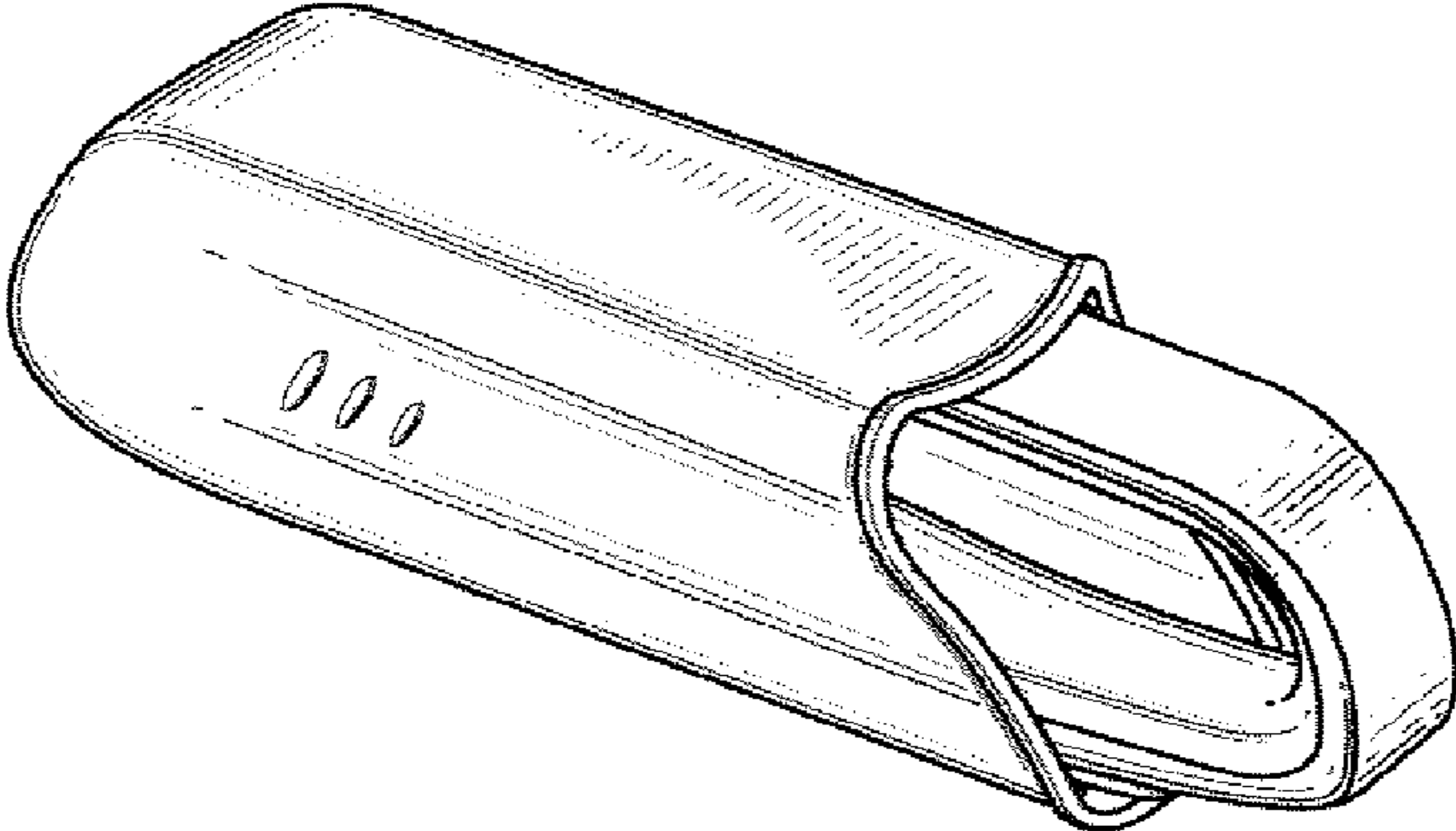
FIG. 11: is a front elevational view thereof; and,

FIG. 12: is a rear elevational view thereof.

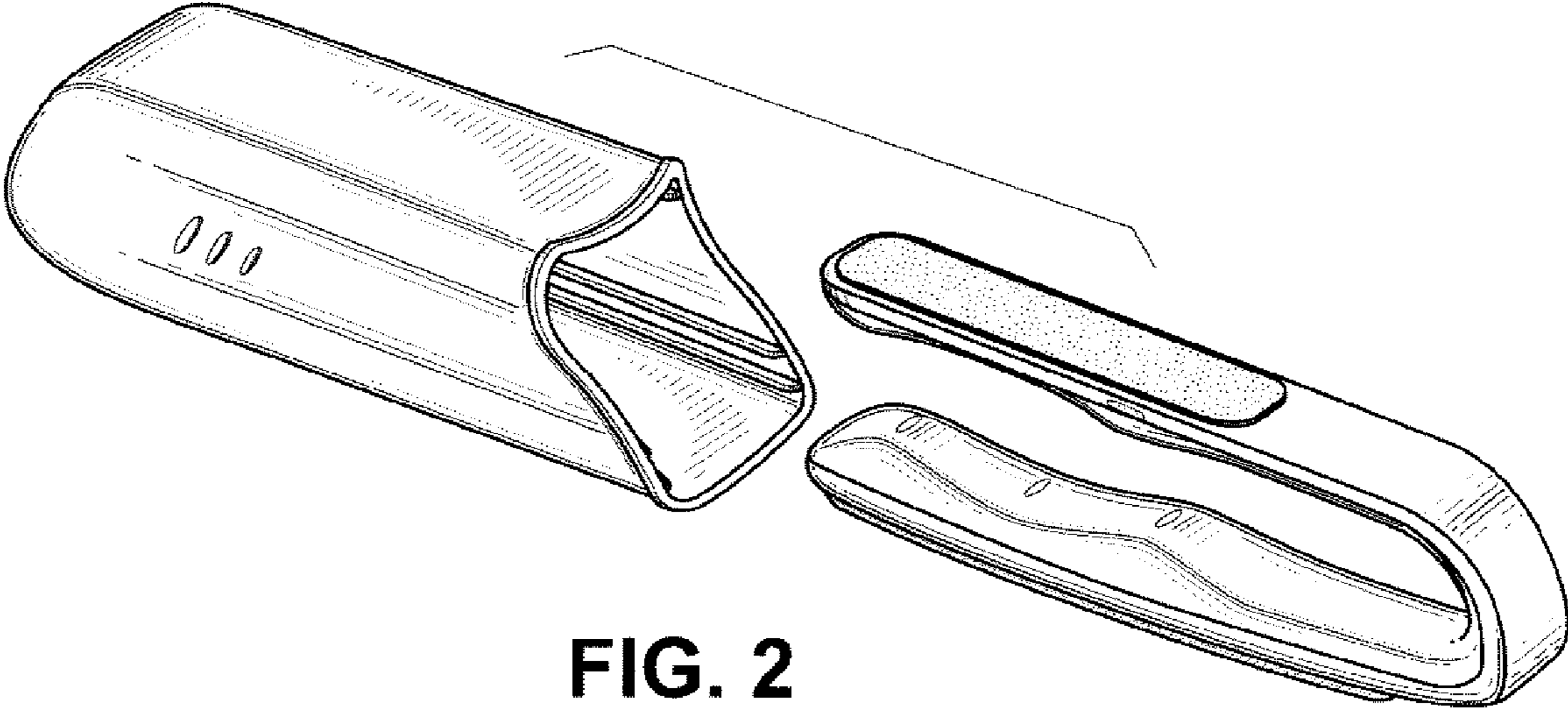
For convenience of illustration, the nail care implement is shown separated from the case.

**1 Claim, 4 Drawing Sheets**

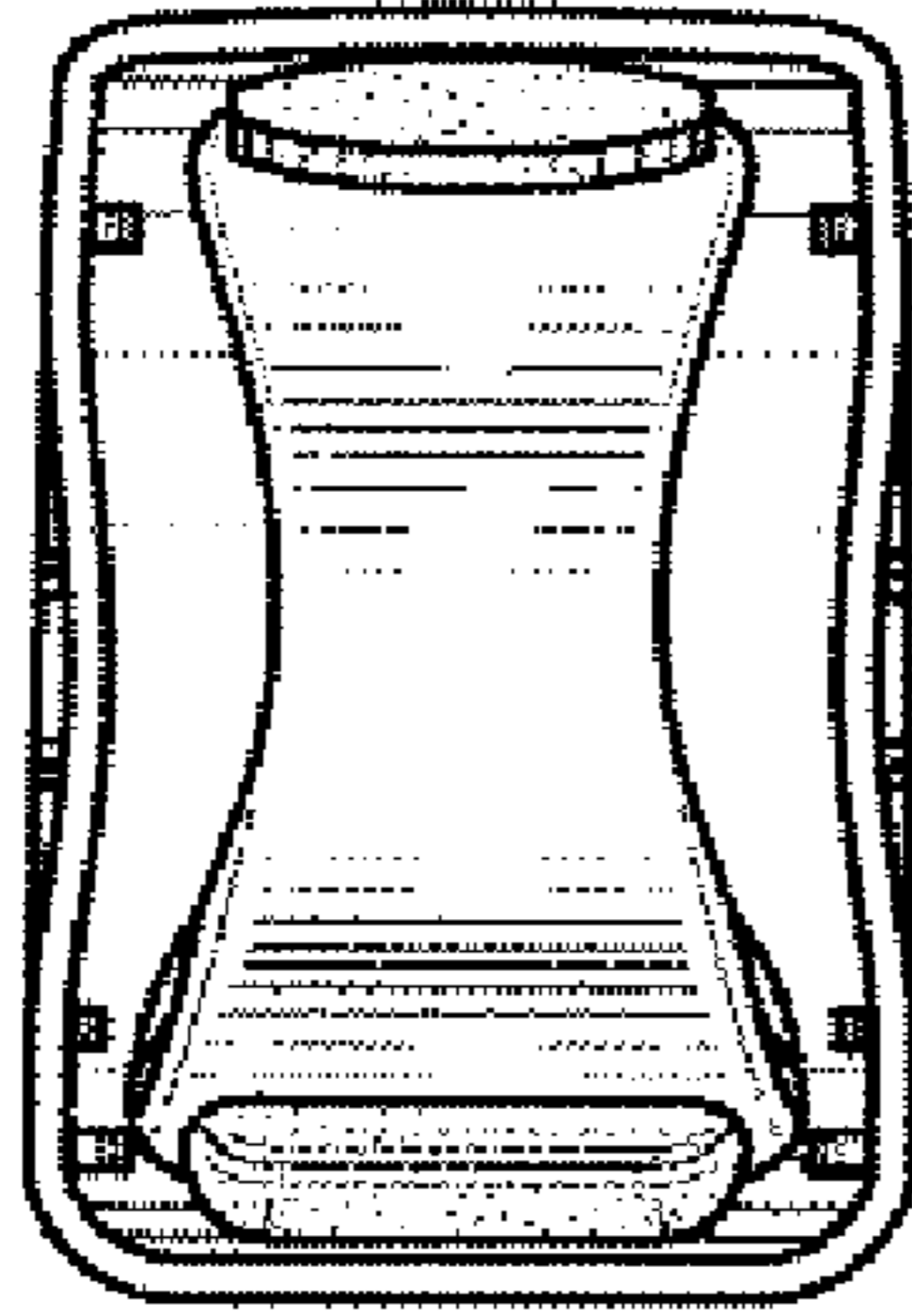




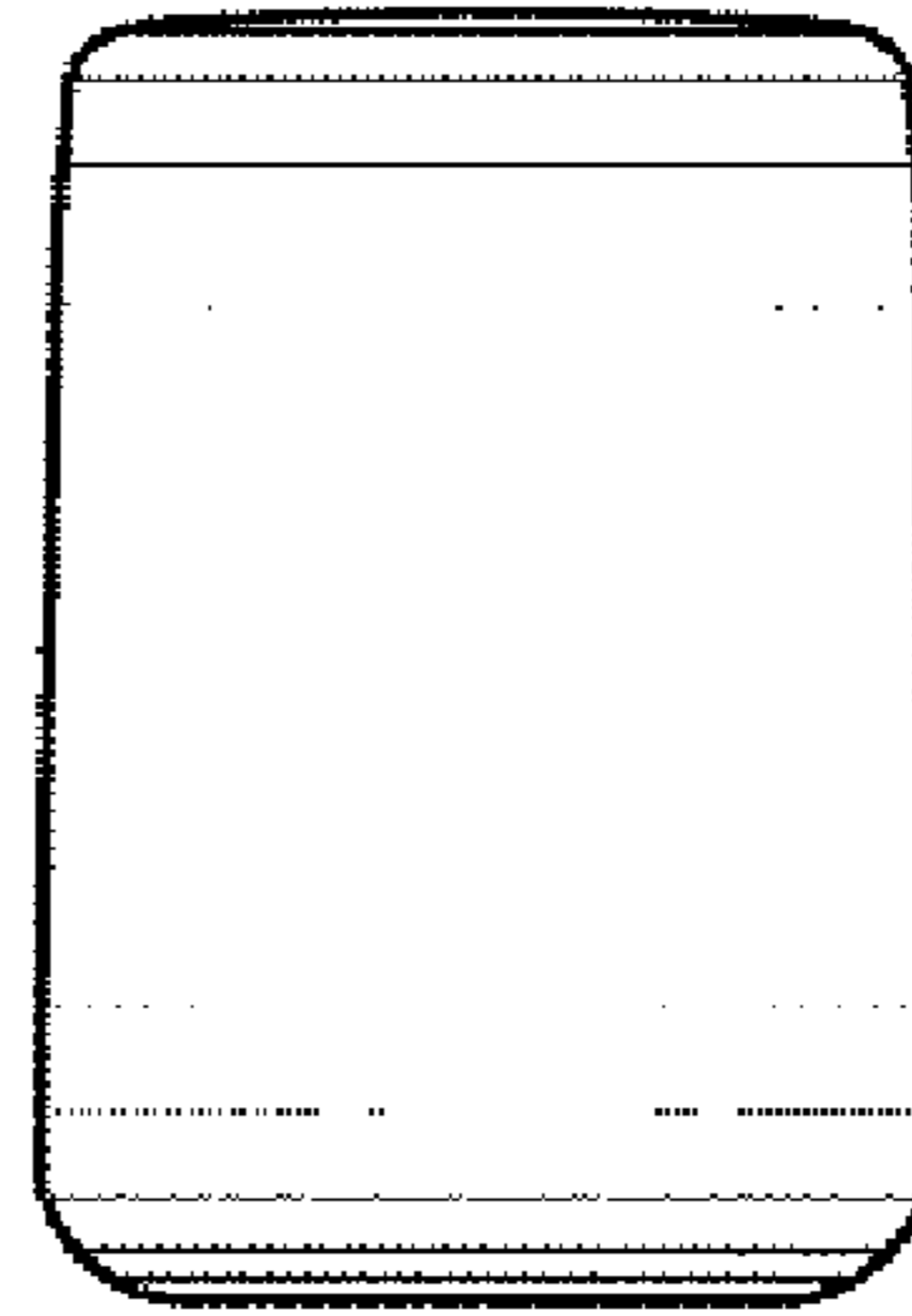
**FIG. 1**



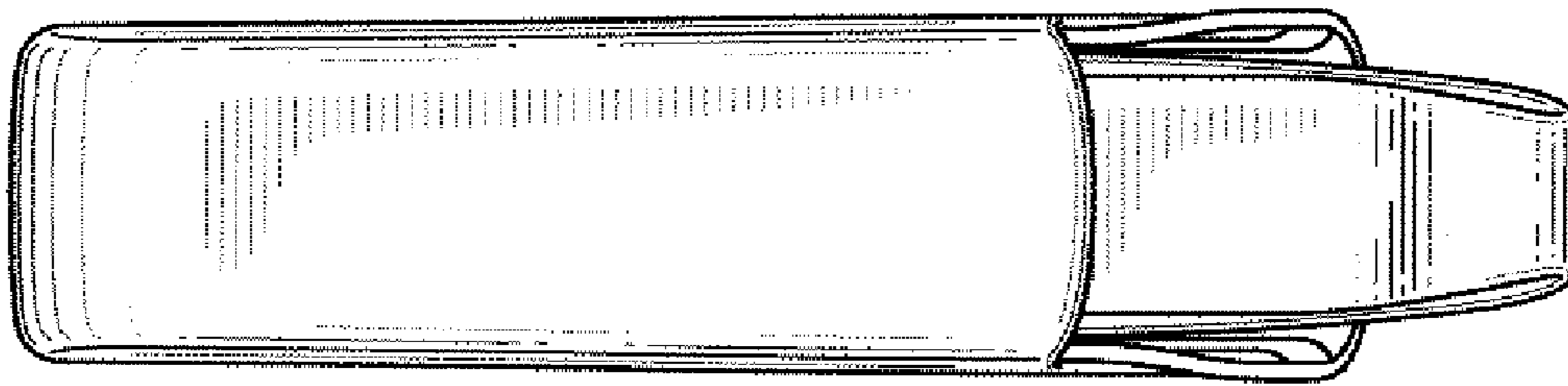
**FIG. 2**



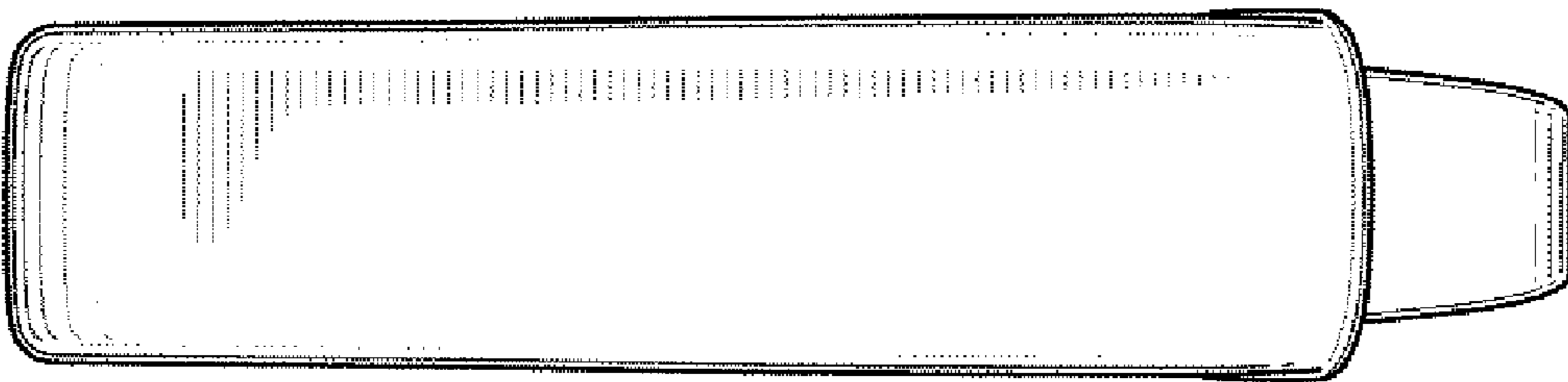
**FIG. 3**



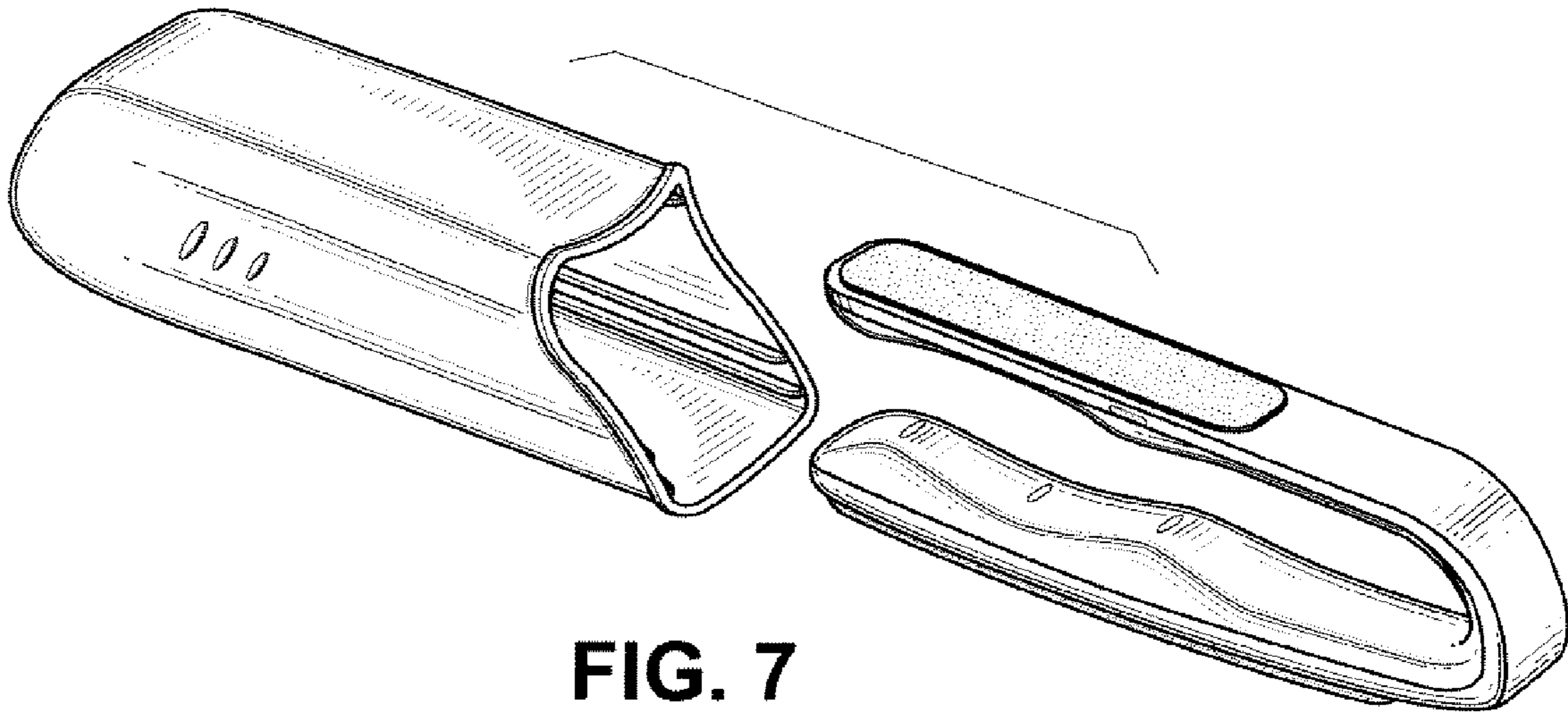
**FIG. 4**



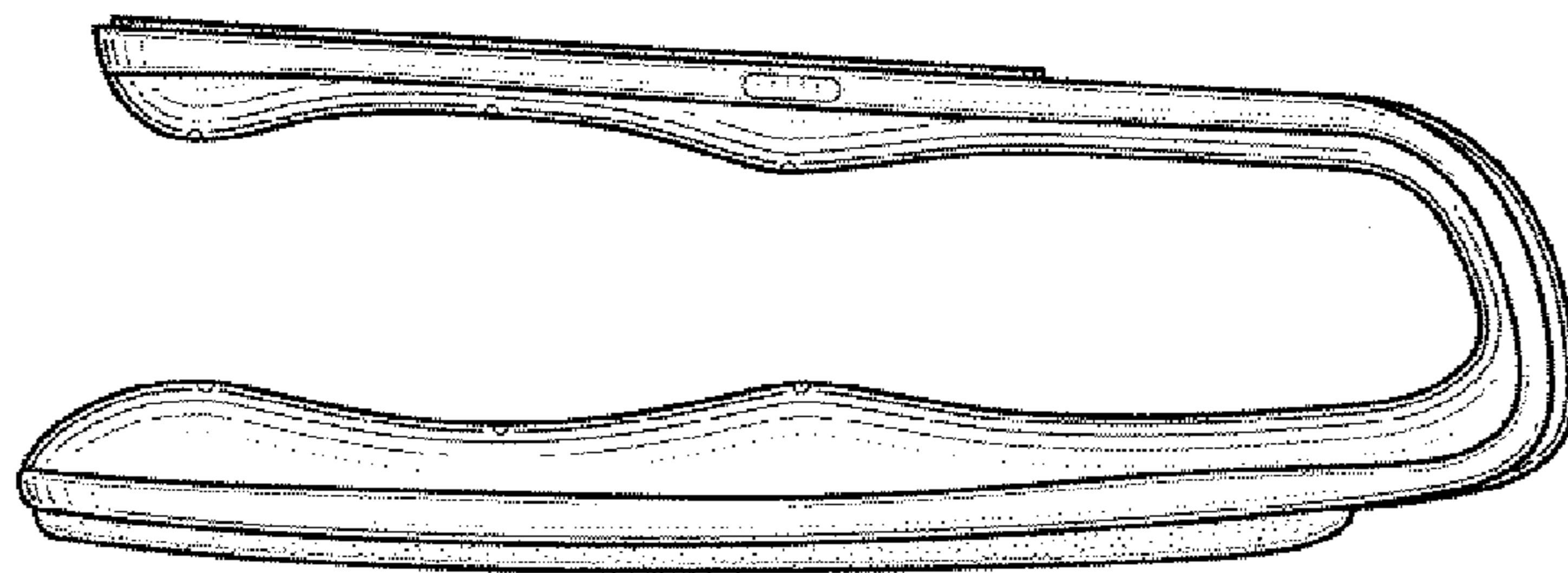
**FIG. 5**



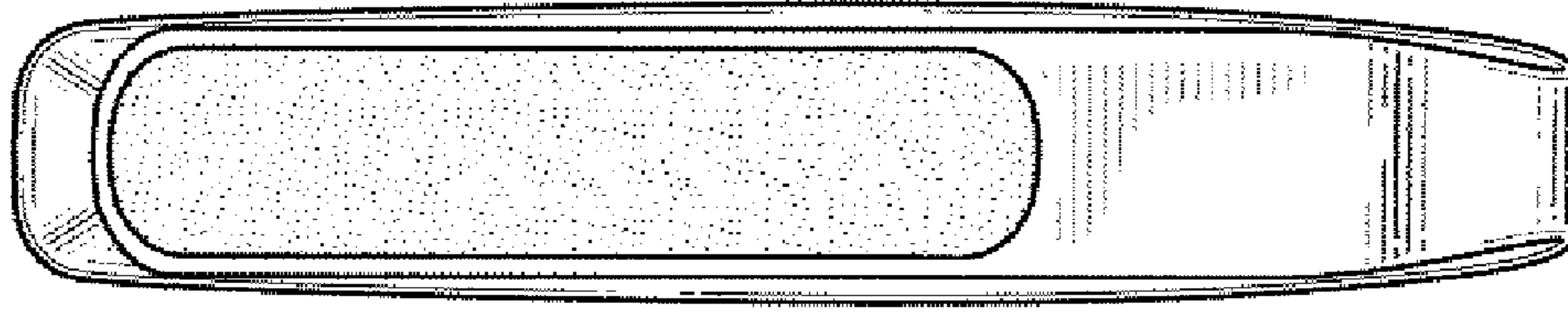
**FIG. 6**



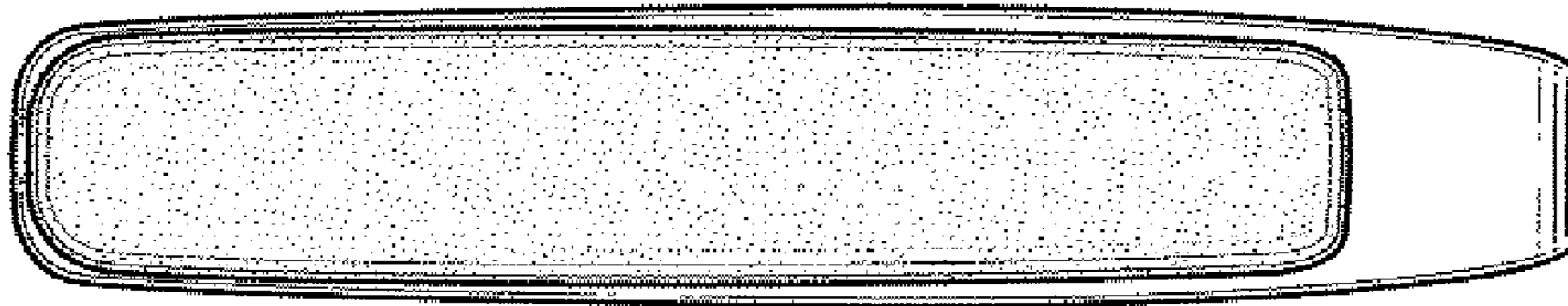
**FIG. 7**



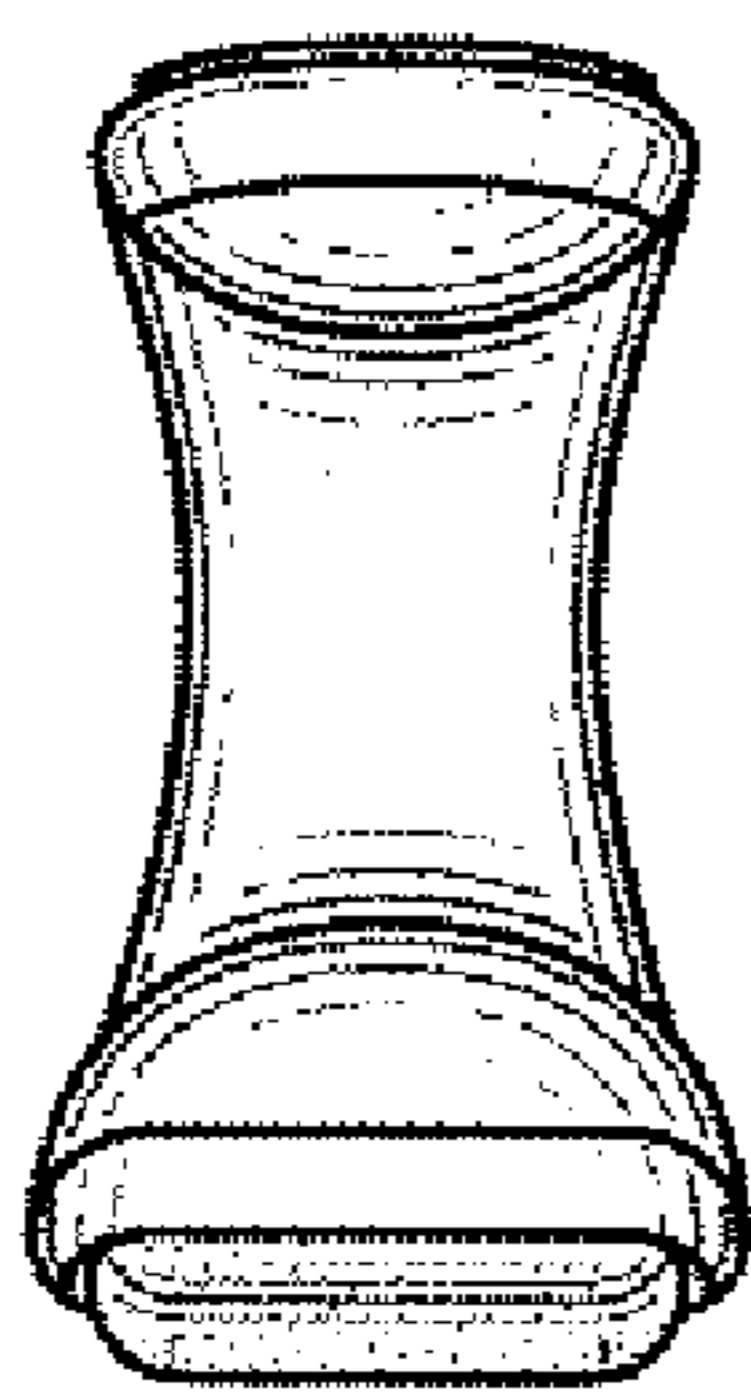
**FIG. 8**



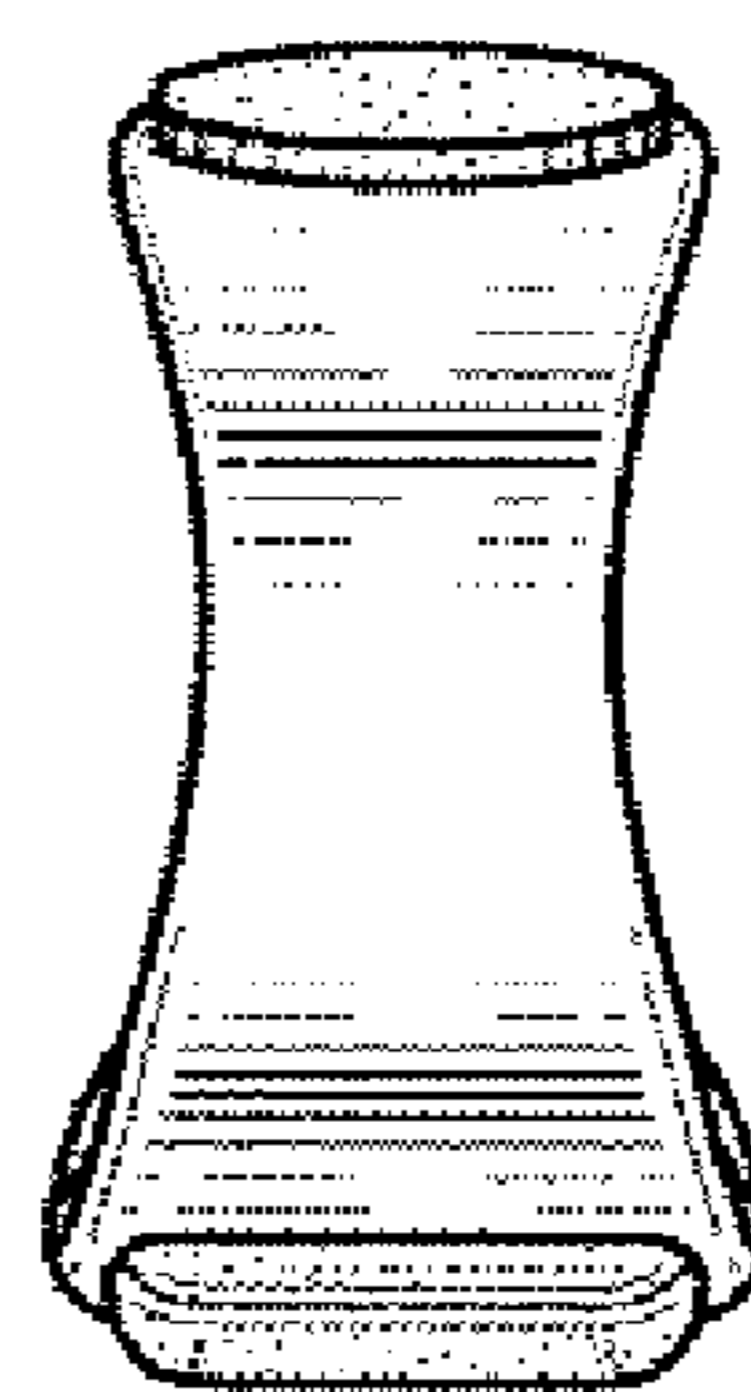
**FIG. 9**



**FIG. 10**



**FIG. 11**



**FIG. 12**