

US00D545495S

(12) **United States Design Patent**
Ma et al.

(10) **Patent No.:** **US D545,495 S**

(45) **Date of Patent:** **** Jun. 26, 2007**

(54) **ARTIFICIAL FINGER NAIL TIP**

7,143,770 B1 * 12/2006 Keller 132/73

(75) Inventors: **Kim Ma**, El Dorado Hills, CA (US);
Van Ma, El Dorado Hills, CA (US);
Lana Ma, El Dorado Hills, CA (US)

* cited by examiner

Primary Examiner—Jennifer Rivard
(74) *Attorney, Agent, or Firm*—Thomas R. Lampe

(73) Assignee: **Intercontinental Nail Products**,
Rancho Cordova, CA (US)

(57) **CLAIM**

(**) Term: **14 Years**

The ornamental design for artificial finger nail tip, as shown and described.

(21) Appl. No.: **29/227,469**

(22) Filed: **Apr. 12, 2005**

DESCRIPTION

(51) **LOC (8) Cl.** **28-03**

FIG. 1 is a perspective view of artificial finger nail tip showing our design;

(52) **U.S. Cl.** **D28/56**

FIG. 2 is a front view thereof;

(58) **Field of Classification Search** D28/56,

FIG. 3 is a rear view thereof;

D28/57, 62; 132/73, 73.5, 200

FIG. 4 is a top plan view thereof;

See application file for complete search history.

FIG. 5 is a right side elevation view thereof, the left side elevation view thereof being a mirror image; and,

(56) **References Cited**

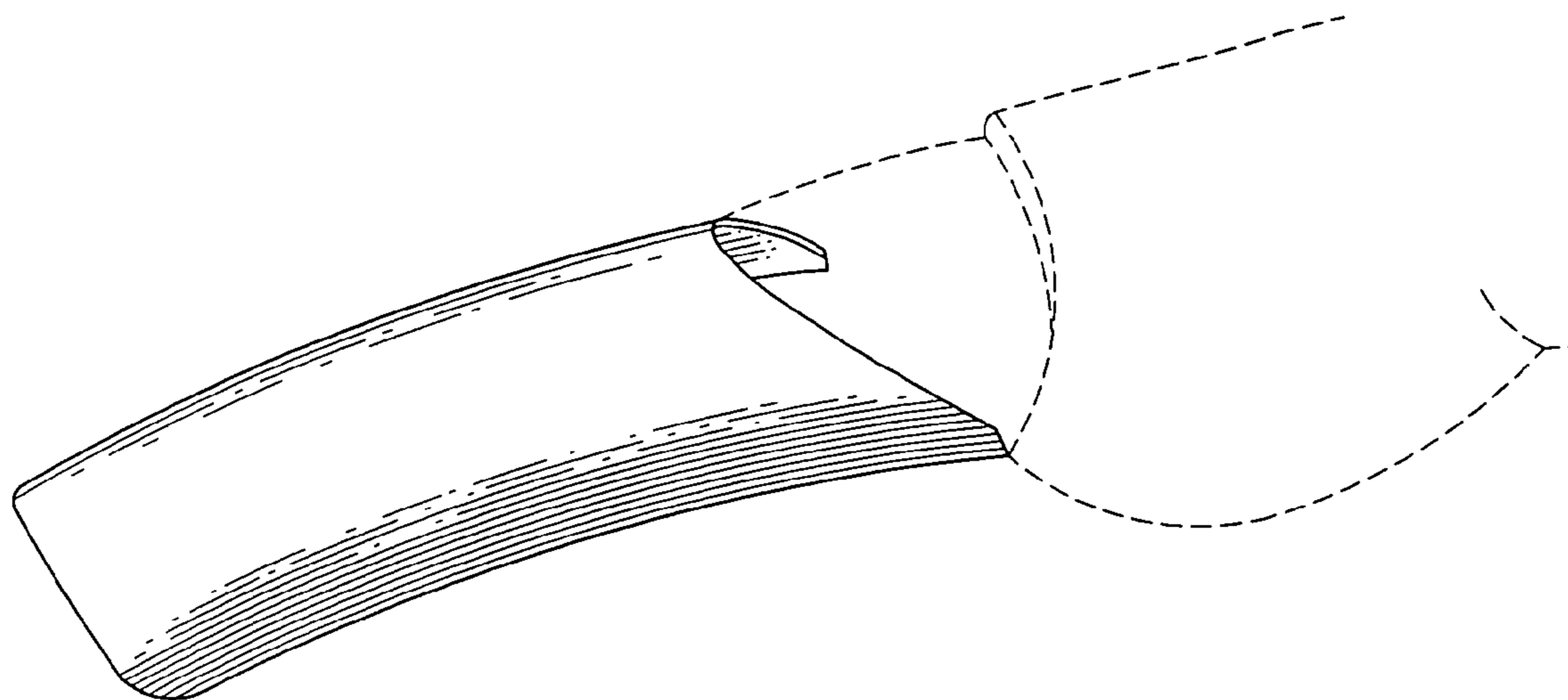
FIG. 6 is a bottom plan view thereof.

U.S. PATENT DOCUMENTS

The broken line showing of a portion of a finger in FIG. 1 of the drawing is for illustrative purposes only and forms no part of the claimed design.

4,346,720	A *	8/1982	Hokama	132/73
D299,878	S *	2/1989	Wienslaw	D28/56
D365,175	S *	12/1995	La Joie et al.	D28/56
D387,488	S *	12/1997	Meyerovich	D28/56
5,860,429	A *	1/1999	Chang	132/73

1 Claim, 1 Drawing Sheet



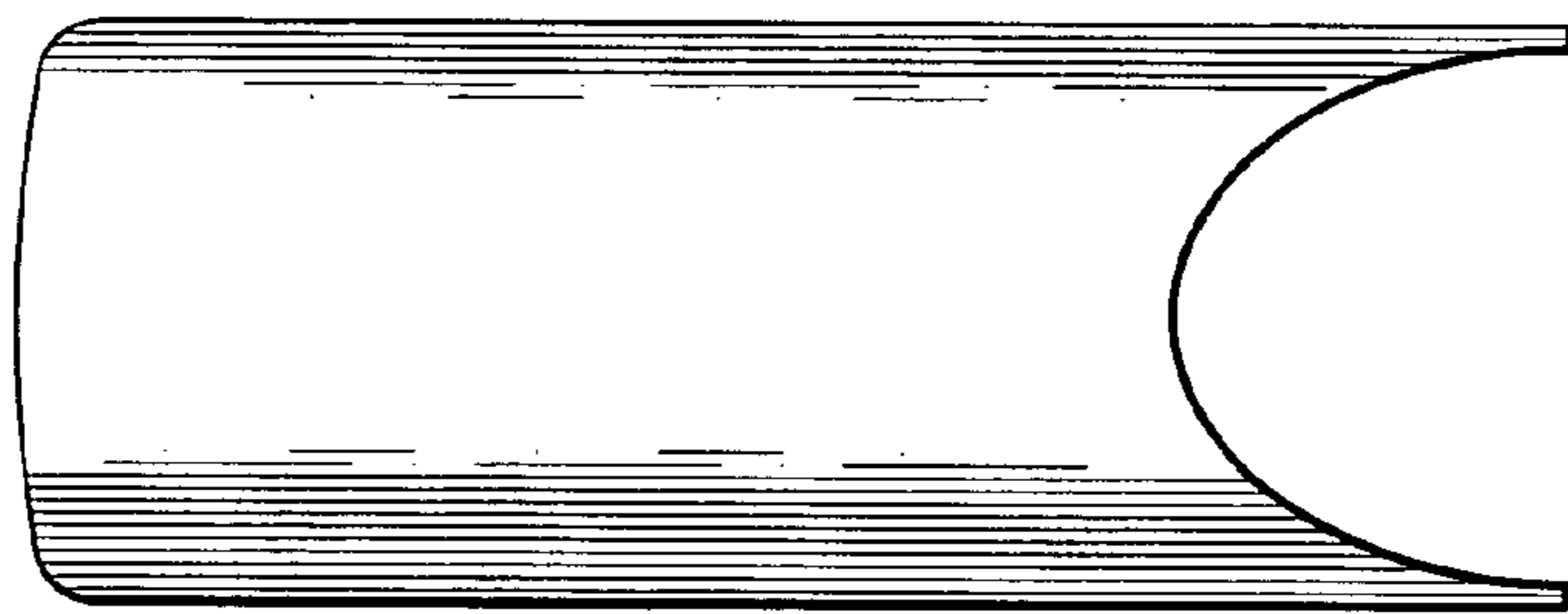
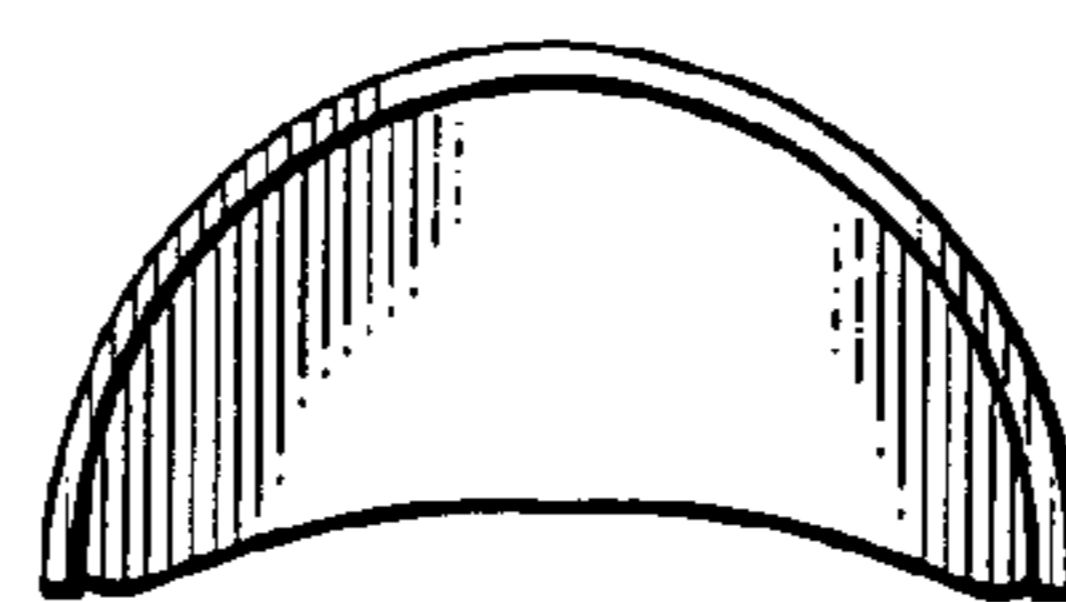
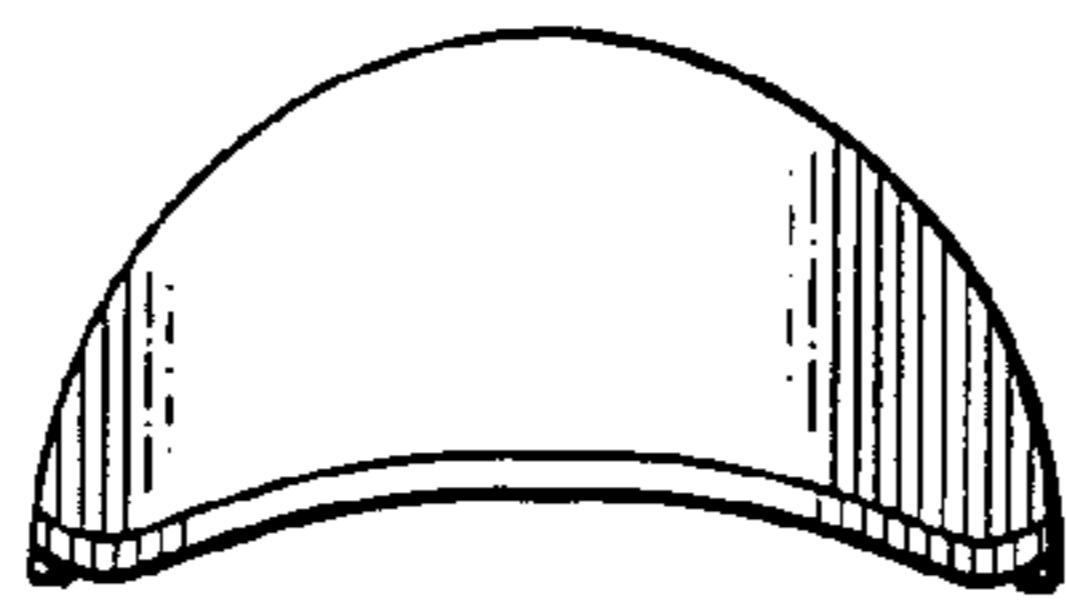
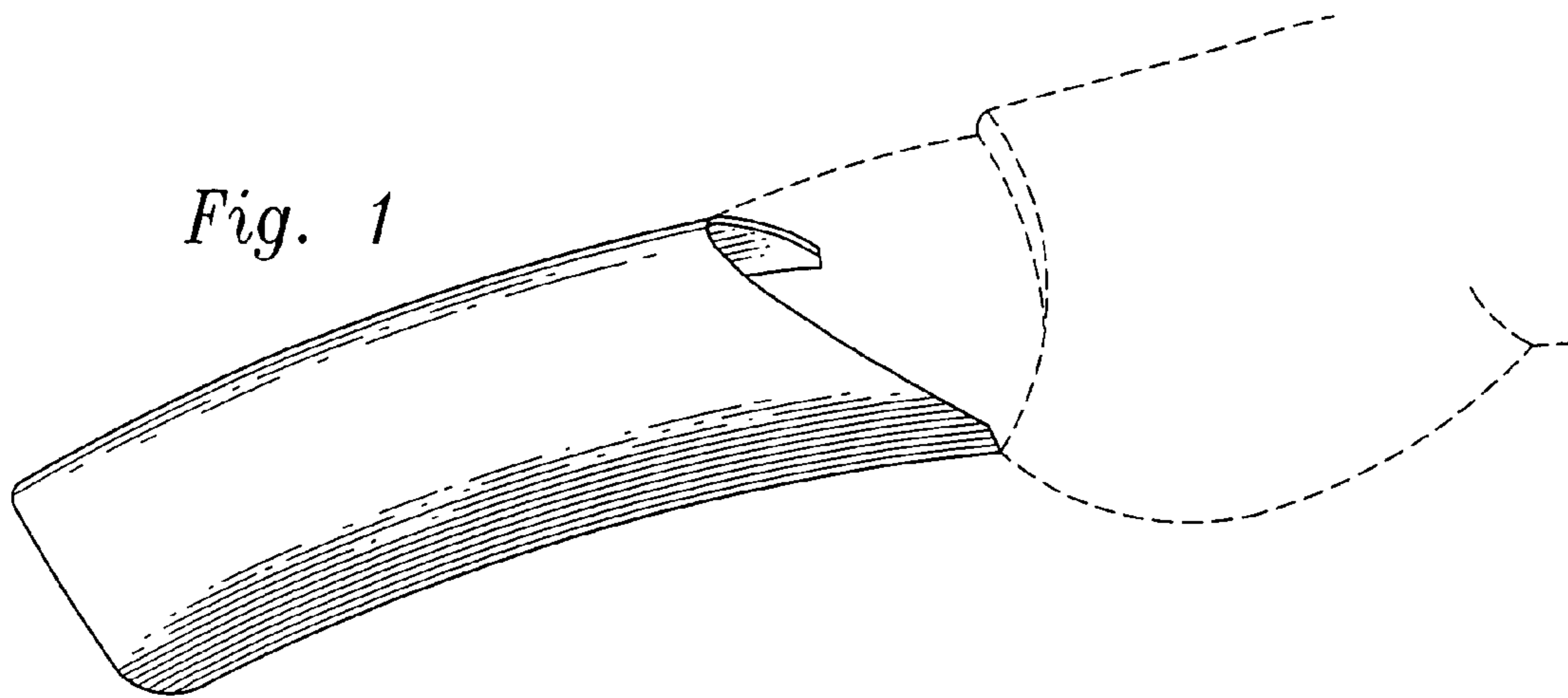


Fig. 4

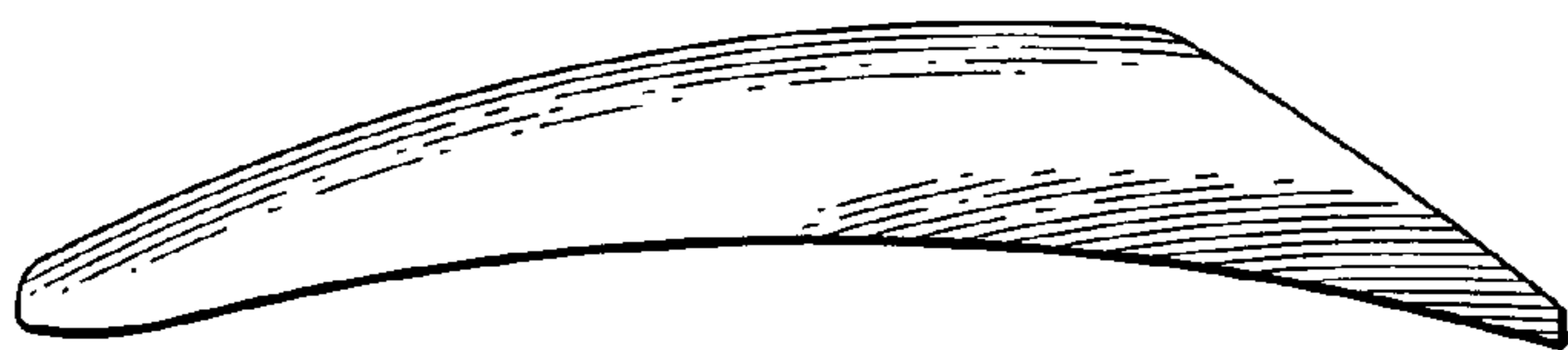


Fig. 5

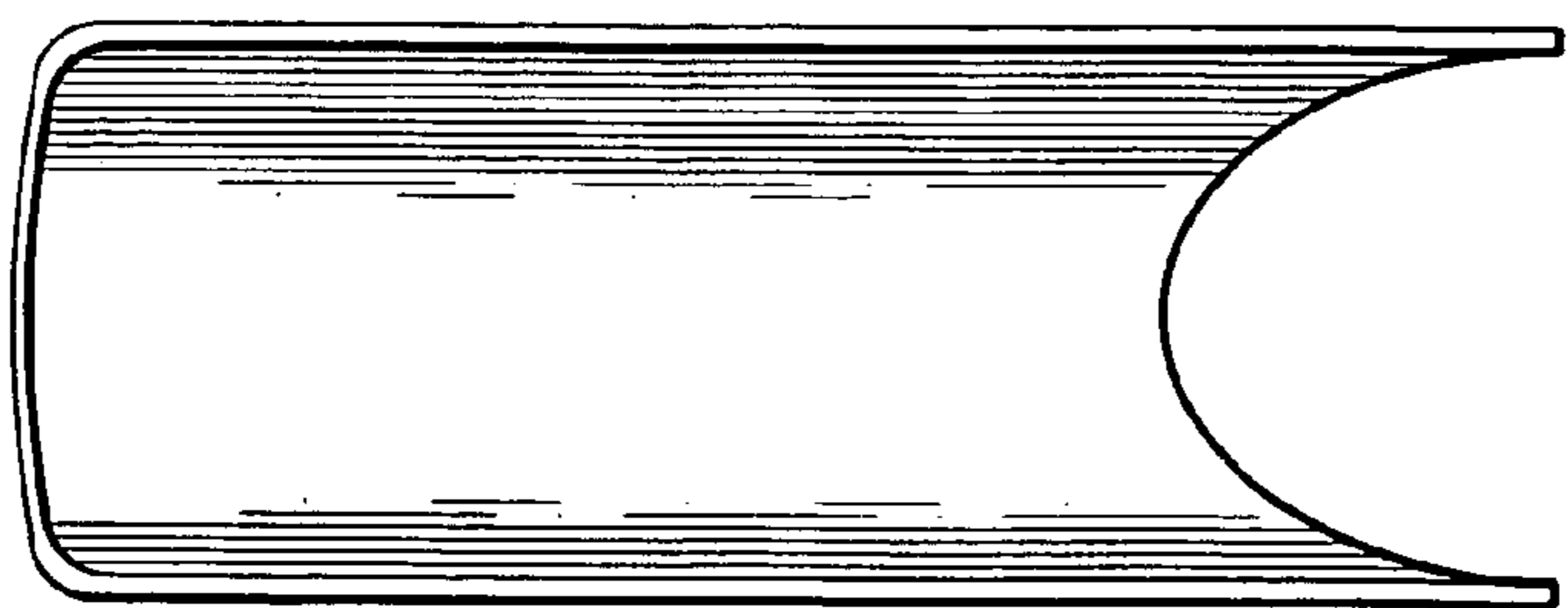


Fig. 6