

US00D545490S

(12) **United States Design Patent**
Tai

(10) **Patent No.:** **US D545,490 S**

(45) **Date of Patent:** **** Jun. 26, 2007**

(54) **PORTABLE ASH TRAY WITH A BUILT-IN CIGARETTE SNUFFER**

(76) Inventor: **Paul J. Tai**, c/o Cecilia L. Yu, 17800 Castleton St., Suite 415, City of Industry, CA (US) 91748

(**) Term: **14 Years**

(21) Appl. No.: **29/230,837**

(22) Filed: **May 25, 2005**

(51) **LOC (8) Cl.** **27-01**

(52) **U.S. Cl.** **D27/136; D27/135**

(58) **Field of Classification Search** D27/102, D27/103-105, 125, 134, 135; 131/231, 235.1, 131/236, 237, 237.5, 238, 240.1-245, 256
See application file for complete search history.

(56) **References Cited**

U.S. PATENT DOCUMENTS

2,755,919	A *	7/1956	Genshaw et al.	206/496
D205,172	S *	6/1966	Schetzer	D27/102
4,055,193	A	10/1977	Lehman	
4,354,510	A	10/1982	Eakin	
5,181,528	A *	1/1993	Chen et al.	131/256
5,673,709	A	10/1997	Brothers	
D411,645	S	6/1999	Perkins	
D434,874	S	12/2000	Lehat	
6,161,549	A	12/2000	Lee	

6,354,302	B1	3/2002	Bingham	
6,431,177	B1 *	8/2002	Sieggen et al.	131/256
2004/0084055	A1	5/2004	Rebensdort	
2005/0072841	A1	4/2005	Price	
2007/0012326	A1 *	1/2007	Kerns	131/231

* cited by examiner

Primary Examiner—Jennifer Rivard

(57) **CLAIM**

The ornamental design for a portable ash tray with a built-in cigarette snuffer, as shown.

DESCRIPTION

FIG. 1 is a left front upper perspective view of the portable ash tray with a cigarette snuffer in a opening position showing my new design;

FIG. 2 is a top plan view thereof;

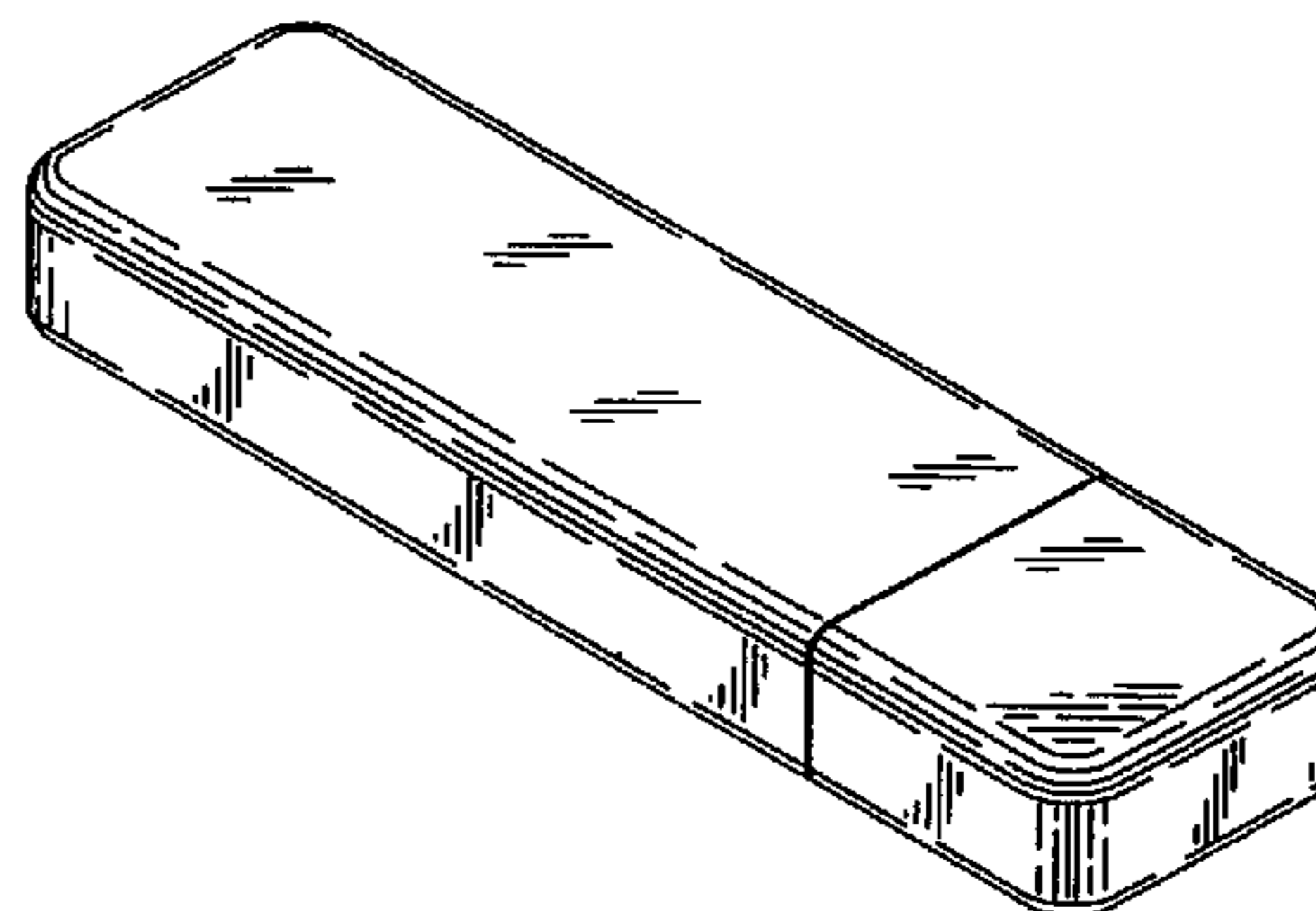
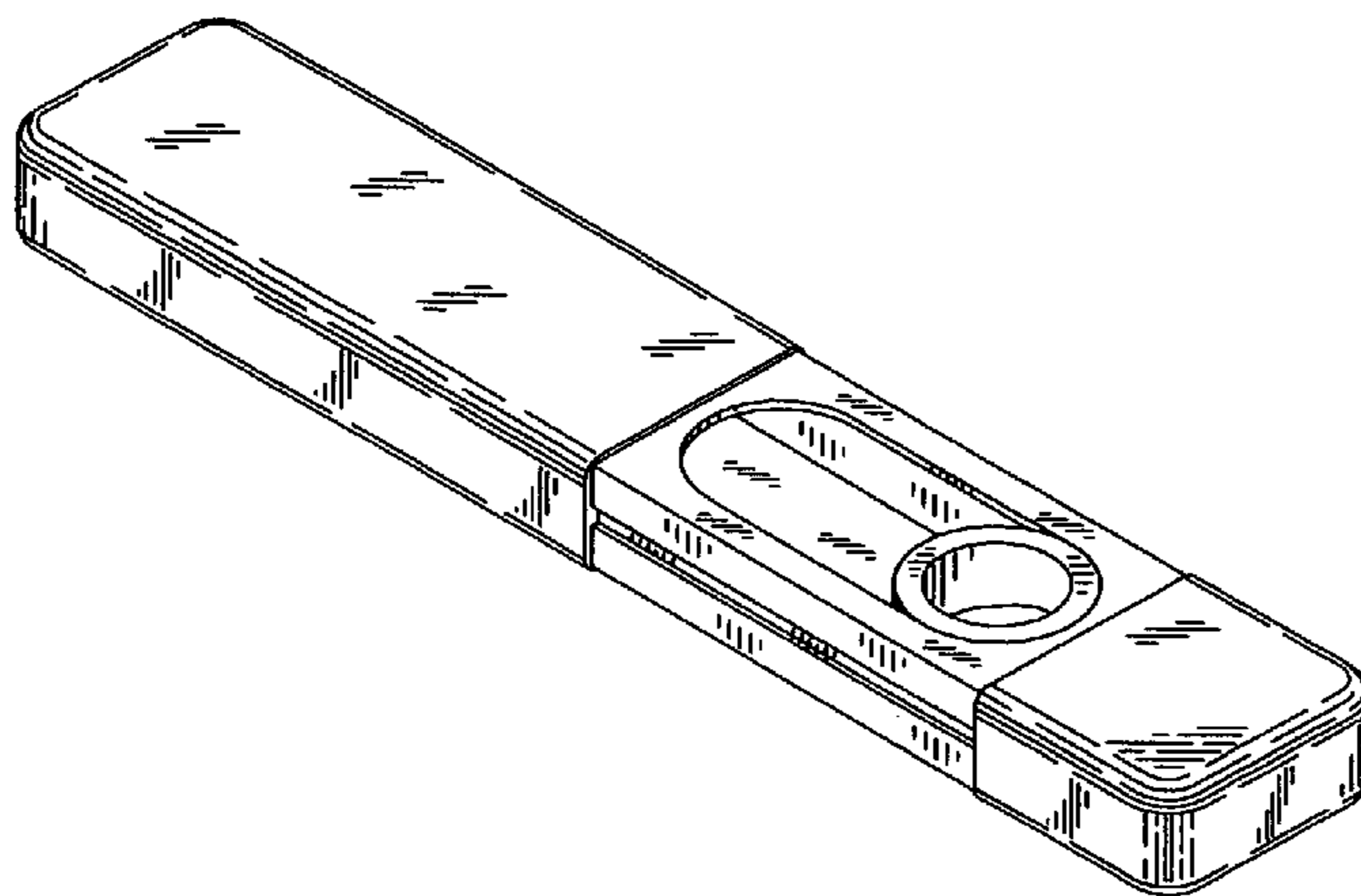
FIG. 3 is front elevational view thereof, the rear elevational view being a mirror image;

FIG. 4 is a bottom plan view thereof;

FIG. 5 is a right side elevational view thereof, the left side elevational view being a mirror image; and,

FIG. 6 is a left front upper perspective view thereof in a closed position.

1 Claim, 2 Drawing Sheets



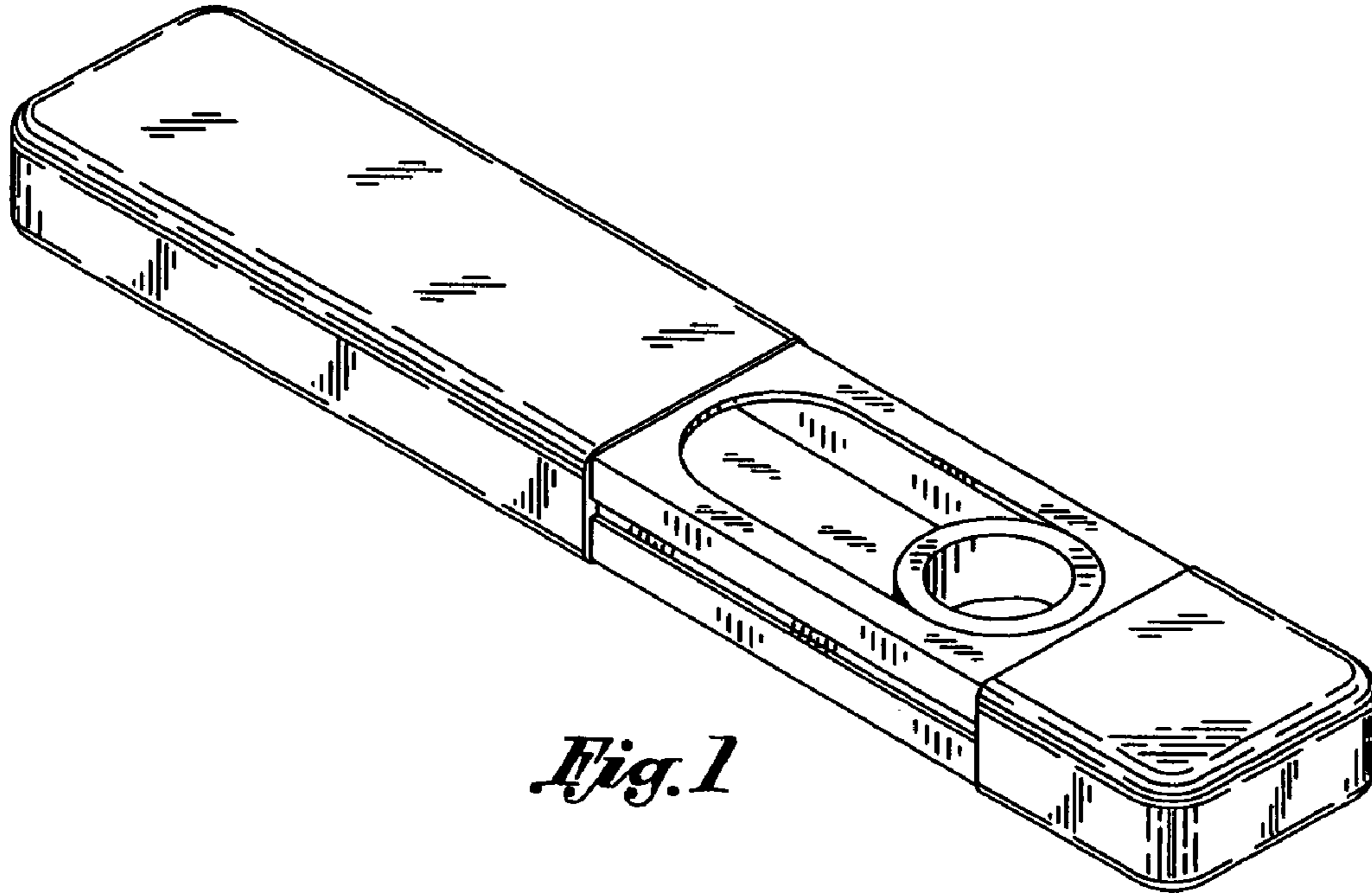


Fig. 1

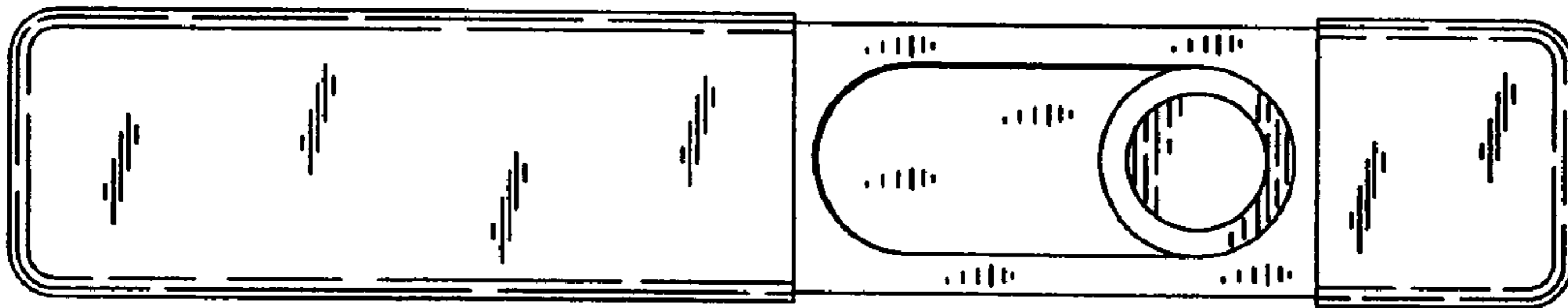


Fig. 2

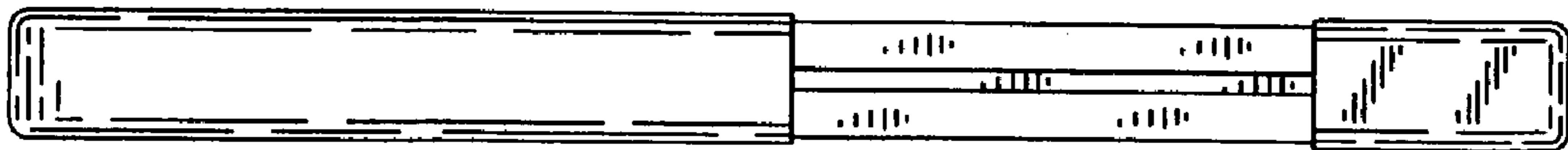


Fig. 3

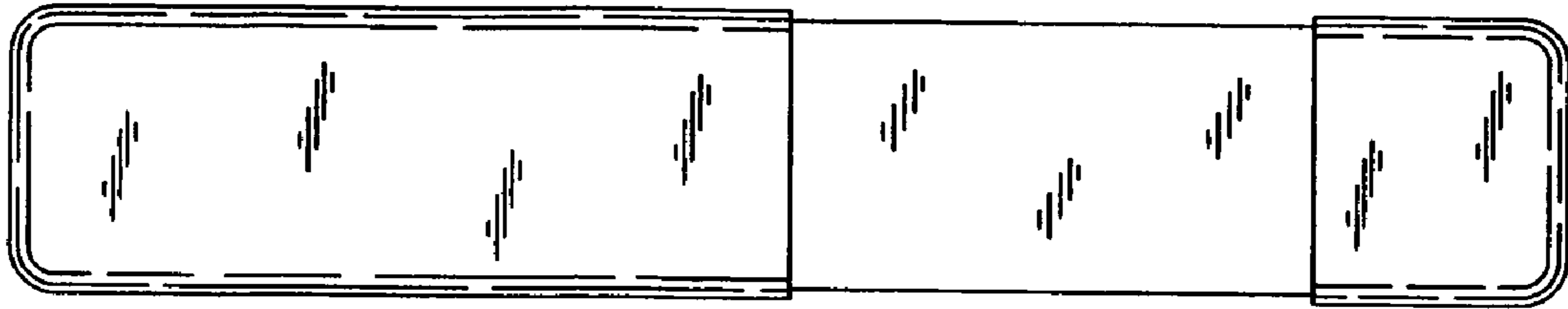


Fig. 4



Fig. 5

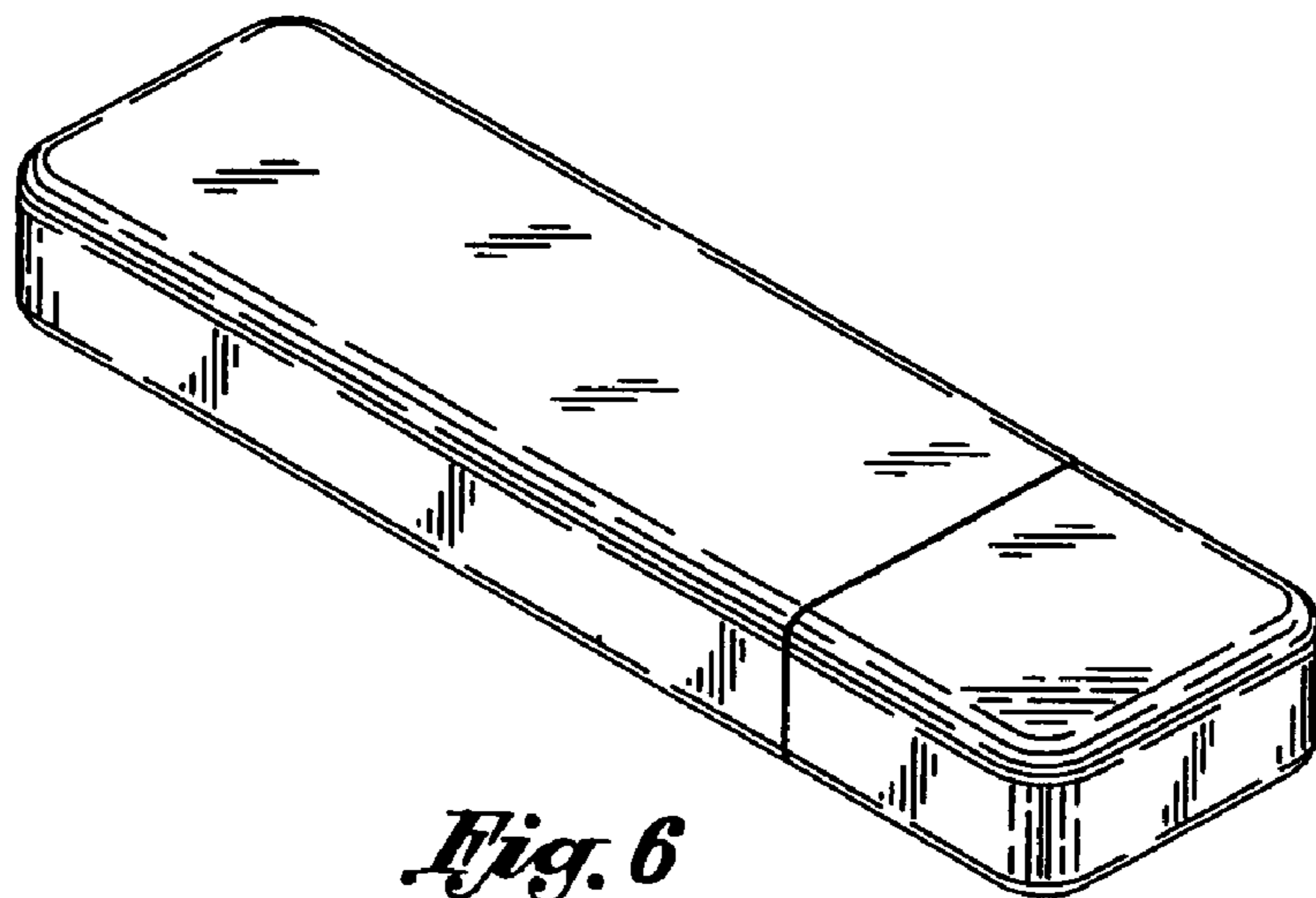


Fig. 6