

US00D545488S

(12) **United States Design Patent**  
**Bynum et al.**

(10) **Patent No.: US D545,488 S**

(45) **Date of Patent: \*\* Jun. 26, 2007**

(54) **FRONT PORTION OF A LAMP MODULE**

(75) Inventors: **Stephen A. Bynum**, Cookeville, TN (US); **James Burr Anderson, Jr.**, Cookeville, TN (US)

(73) Assignee: **Federal-Mogul World Wide, Inc.**, Southfield, MI (US)

(\*\*) Term: **14 Years**

(21) Appl. No.: **29/275,126**

(22) Filed: **Dec. 14, 2006**

**Related U.S. Application Data**

(62) Division of application No. 29/199,182, filed on Feb. 11, 2004.

(51) **LOC (8) Cl.** ..... **26-99**

(52) **U.S. Cl.** ..... **D26/120**

(58) **Field of Classification Search** ..... D26/74, D26/118, 89, 85, 51, 72, 44, 61, 37, 26, 28, D26/120, 59, 80, 24, 35, 36, 63, 113, 123, D26/124, 128, 139, 152, 153, 122; 362/285, 362/294, 456, 257; D23/328, 371, 370, 393, D23/385

See application file for complete search history.

(56) **References Cited**

**U.S. PATENT DOCUMENTS**

- 1,253,012 A \* 1/1918 Dillon ..... 362/333
- D52,001 S 5/1918 Adams
- D118,671 S \* 1/1940 Mielziner ..... D26/63
- D127,833 S \* 6/1941 Price ..... D26/63
- D134,595 S \* 12/1942 Van Es ..... D26/63
- D160,640 S \* 10/1950 Mageoch ..... D26/74
- D163,433 S 5/1951 Williams
- D190,387 S \* 5/1961 Wince ..... D26/89

- D192,479 S 3/1962 Bordinat
- D197,246 S \* 12/1963 Lambert ..... D26/142
- D209,536 S 12/1967 McCain
- D282,973 S 3/1986 Kempton et al.
- D288,007 S \* 1/1987 Jonas et al. .... D26/51
- D300,469 S \* 3/1989 Ewing et al. .... D26/24
- D325,651 S 4/1992 Sonneman
- D336,144 S \* 6/1993 Galati ..... D26/26
- D400,274 S 10/1998 Ziaylek et al.
- D407,524 S 3/1999 Lecluze
- D410,295 S \* 5/1999 Lueken et al. .... D26/74
- D420,754 S \* 2/2000 Huang ..... D26/27
- D476,769 S \* 7/2003 Pilkington ..... D26/72
- D481,823 S 11/2003 McClow et al.

\* cited by examiner

*Primary Examiner*—Freda S. Nunn  
*Assistant Examiner*—Kevin K. Rudzinski  
(74) *Attorney, Agent, or Firm*—Dickinson Wright, PLLC

(57) **CLAIM**

The ornamental design for a front portion of a lamp module, as shown and described.

**DESCRIPTION**

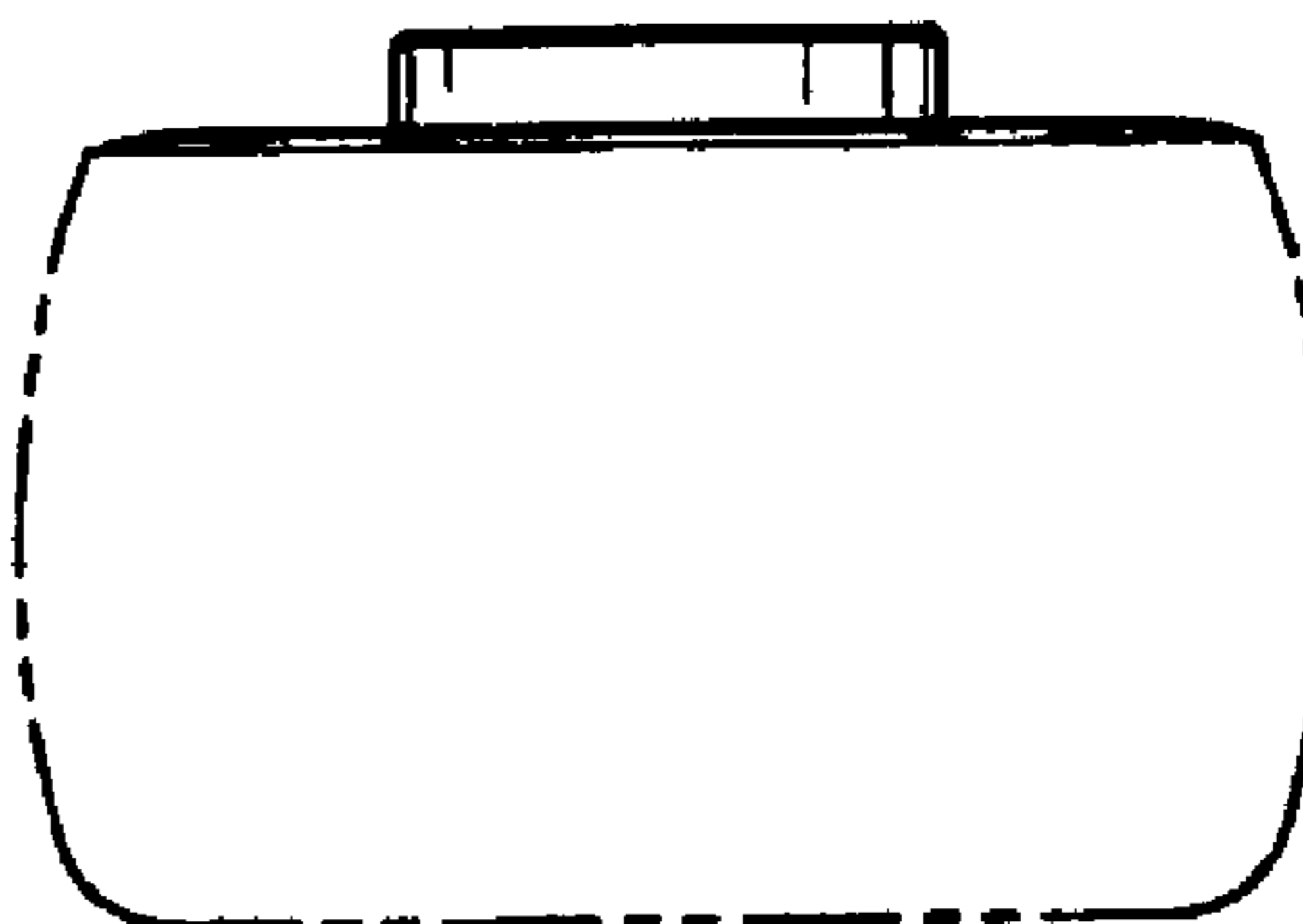
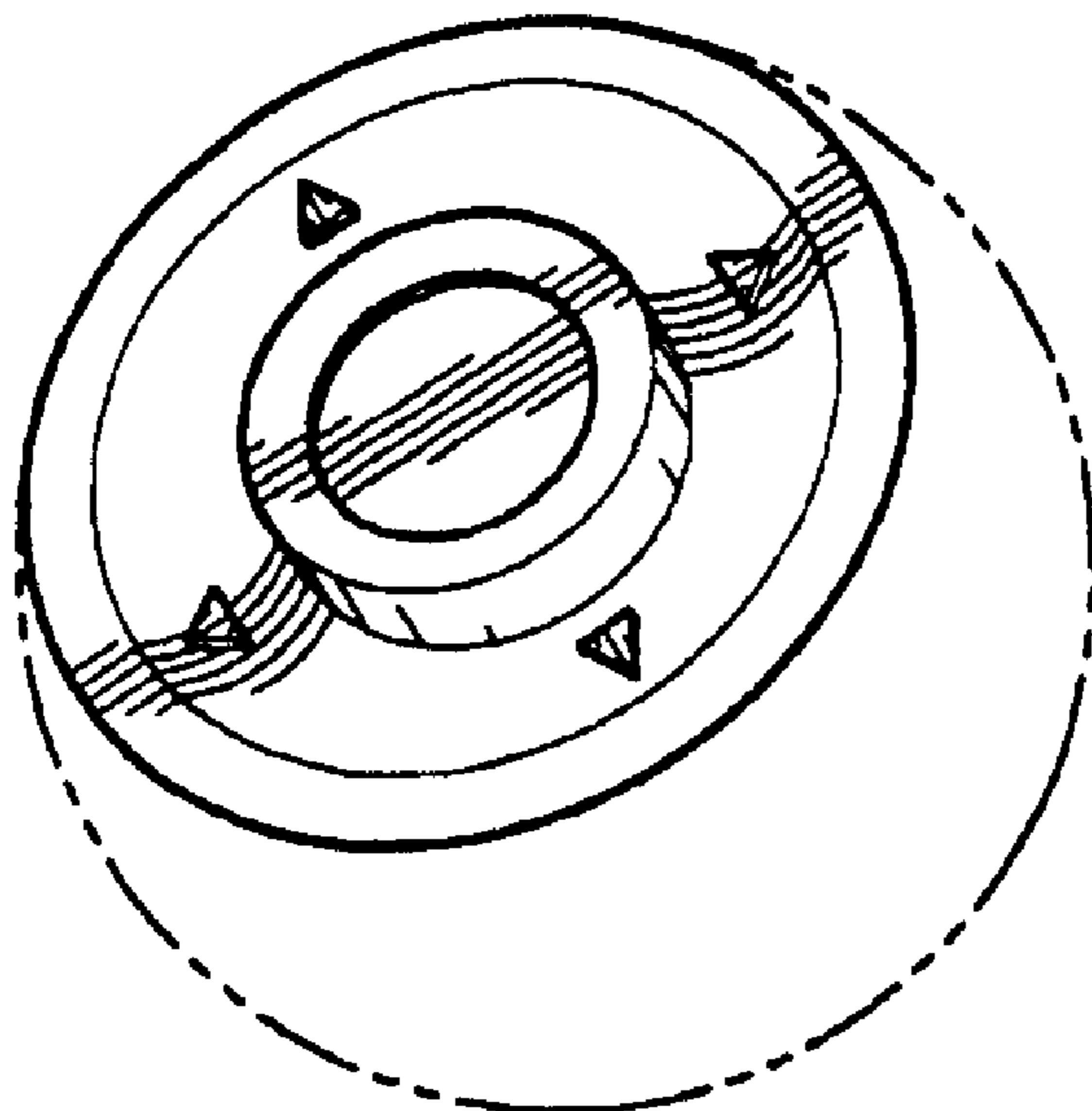
FIG. 1 is a perspective view of a front portion of a lamp module;

FIG. 2 is a front elevational view thereof; and,

FIG. 3 is a bottom side plan view of thereof, the top plan view being a mirror image thereof, and the right side view and left side view respectively, being an orthogonal counterclockwise and an orthogonal clockwise rotation thereof.

The broken lines in FIGS. 1–3 showing other portions of a lamp module are for illustrative purposes only and form no part of the claimed ornamental design.

**1 Claim, 1 Drawing Sheet**



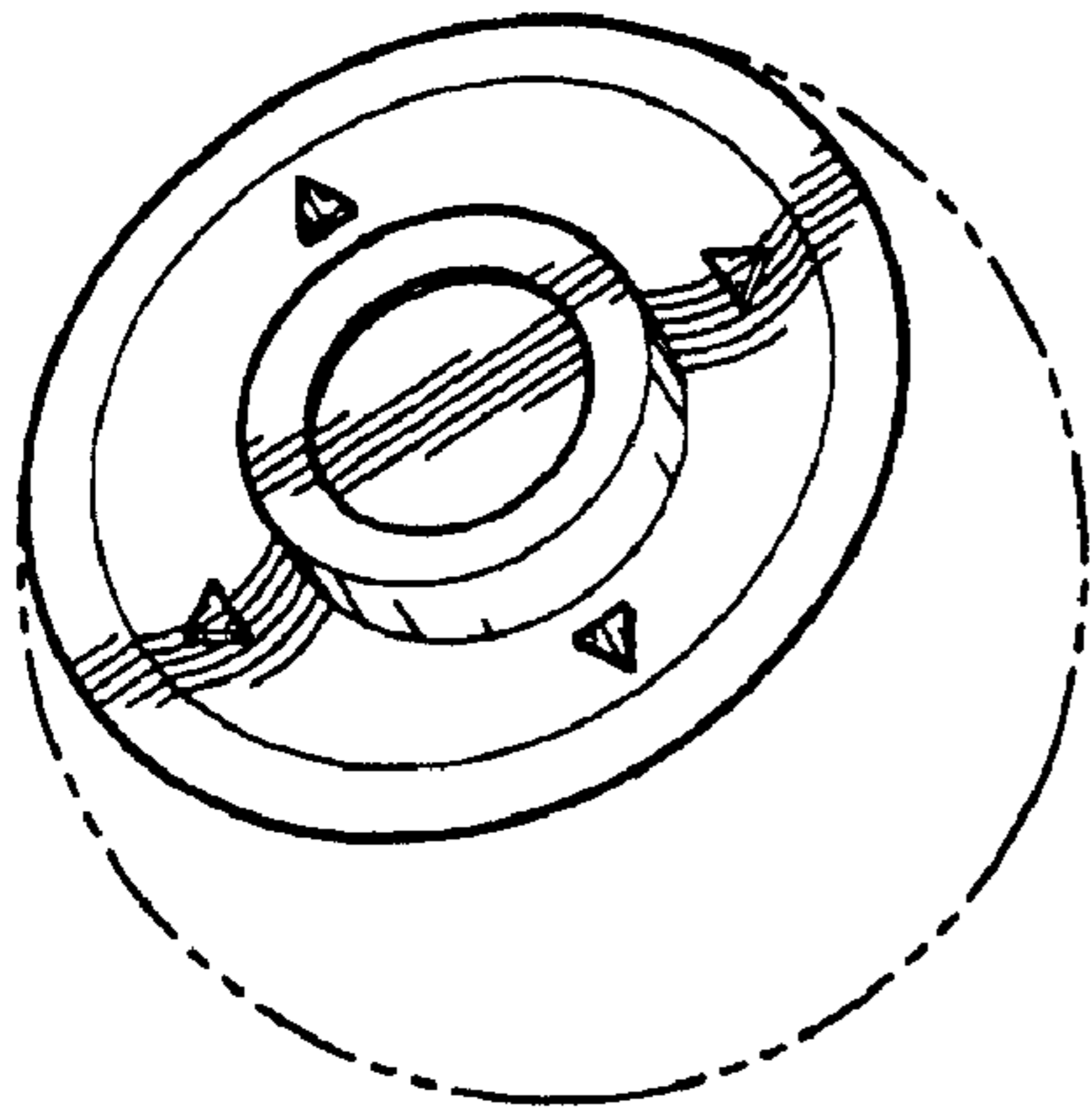


Figure 1

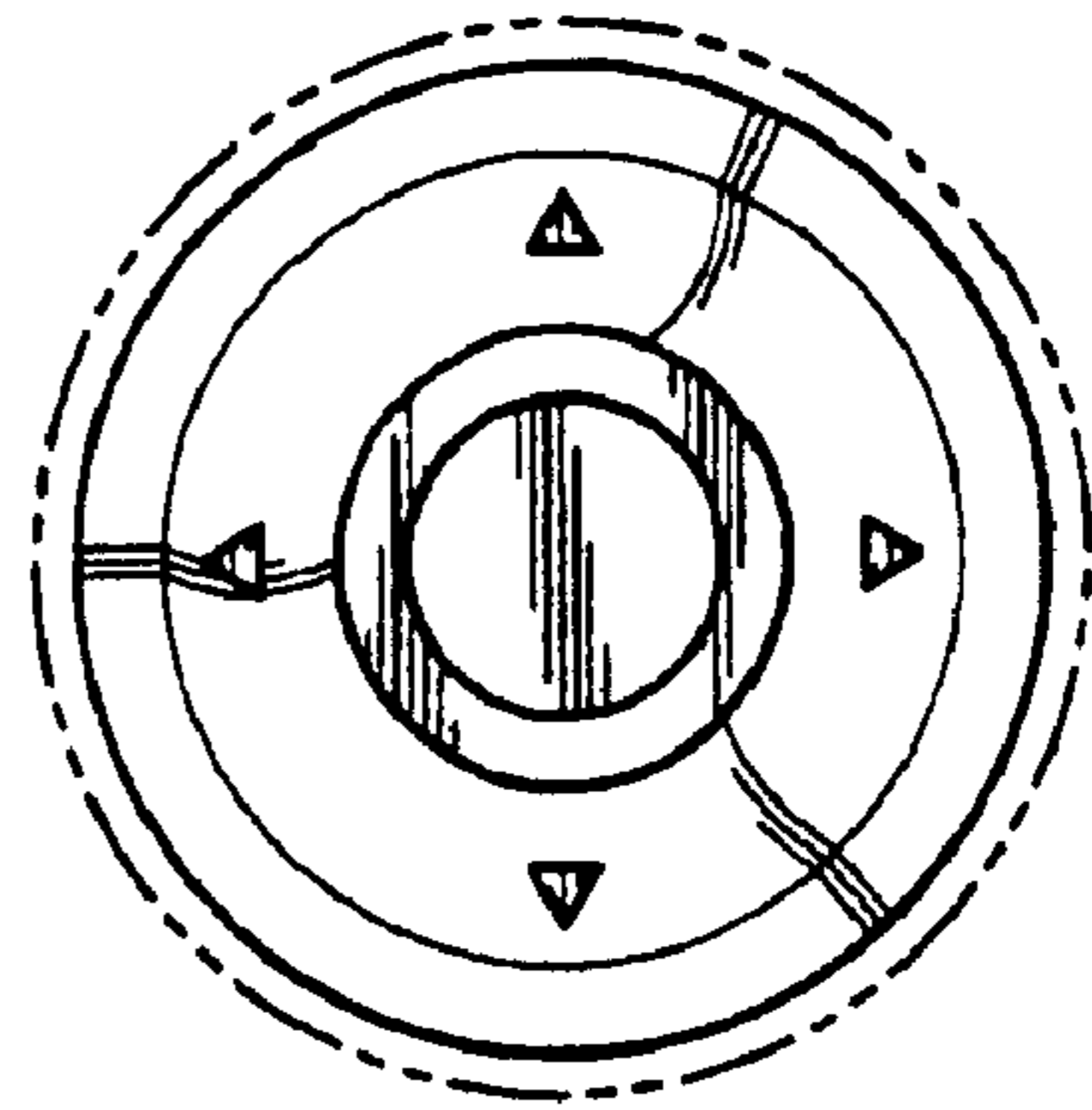


Figure 2

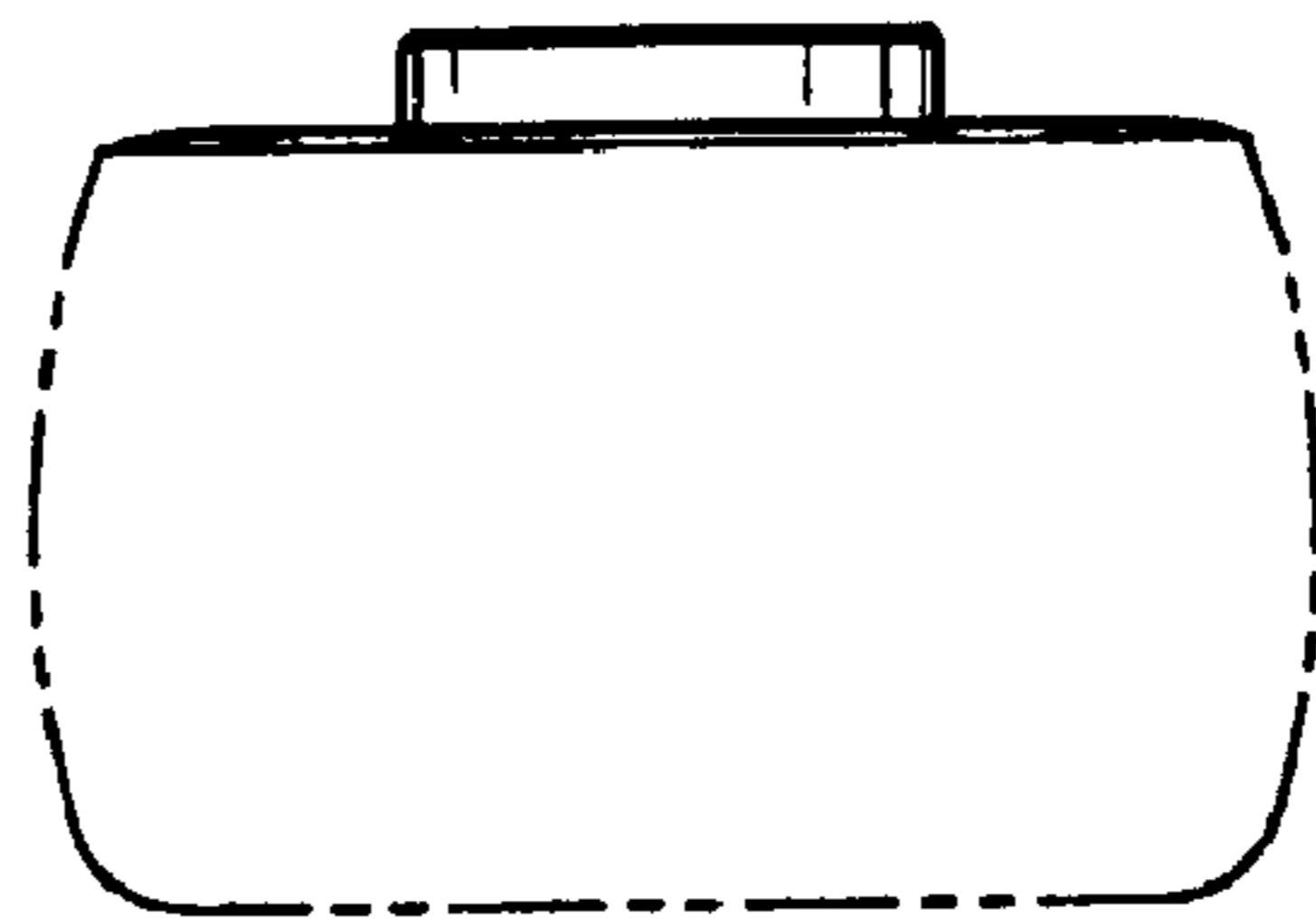


Figure 3