

US00D545484S

(12) **United States Design Patent**
Hargreaves

(10) **Patent No.:** **US D545,484 S**

(45) **Date of Patent:** **** Jun. 26, 2007**

(54) **REFLECTIVE LIGHT HOUSING**

(75) **Inventor:** **Craig Hargreaves**, Vancouver, WA
(US)

(73) **Assignee:** **IP Holdings, LLC**, Vancouver, WA
(US)

(**) **Term:** **14 Years**

(21) **Appl. No.:** **29/216,801**

(22) **Filed:** **Nov. 10, 2004**

(51) **LOC (8) Cl.** **26-99**

(52) **U.S. Cl.** **D26/118**

(58) **Field of Classification Search** D26/3,
D26/24, 42, 72, 75, 85, 113, 118, 119, 128;
362/219, 257, 260, 294, 317, 362, 368, 217
See application file for complete search history.

(56) **References Cited**

U.S. PATENT DOCUMENTS

D46,253	S *	8/1914	Kopp et al.	D26/128
1,930,070	A *	10/1933	Zecher	313/590
2,194,841	A *	3/1940	Welch	362/217
2,339,100	A *	1/1944	Netting	362/219
2,348,617	A *	5/1944	Furedy	362/217
4,669,033	A *	5/1987	Lee	362/217
5,192,129	A *	3/1993	Figueroa	362/346
5,199,784	A *	4/1993	Hempleman	362/294
5,457,450	A *	10/1995	Deese et al.	340/912
5,570,947	A *	11/1996	Felland	362/148
D376,437	S *	12/1996	Karlo et al.	D26/28
D399,328	S *	10/1998	Compton	D26/72
D415,304	S *	10/1999	Brown	D26/87
D418,626	S *	1/2000	Herst et al.	D26/118
6,079,851	A *	6/2000	Altman et al.	362/260

D445,943	S *	7/2001	Littman	D26/87
D447,272	S *	8/2001	Smith	D26/118
D456,938	S *	5/2002	Wardenburg	D26/118
6,527,422	B1 *	3/2003	Hutchison	362/373
2002/0141195	A1 *	10/2002	Peter	362/362

* cited by examiner

Primary Examiner—Freda S. Nunn

Assistant Examiner—Kevin K. Rudzinski

(74) *Attorney, Agent, or Firm*—Robert J. Ireland

(57) **CLAIM**

The ornamental design for a reflective light housing, as shown and described.

DESCRIPTION

FIG. 1 is a perspective view of the reflective light housing, and according to the new and unique design;

FIG. 2 is a top view of the reflective light housing of FIG. 1;

FIG. 3 is a right side view in elevation of the reflective light housing of FIG. 1;

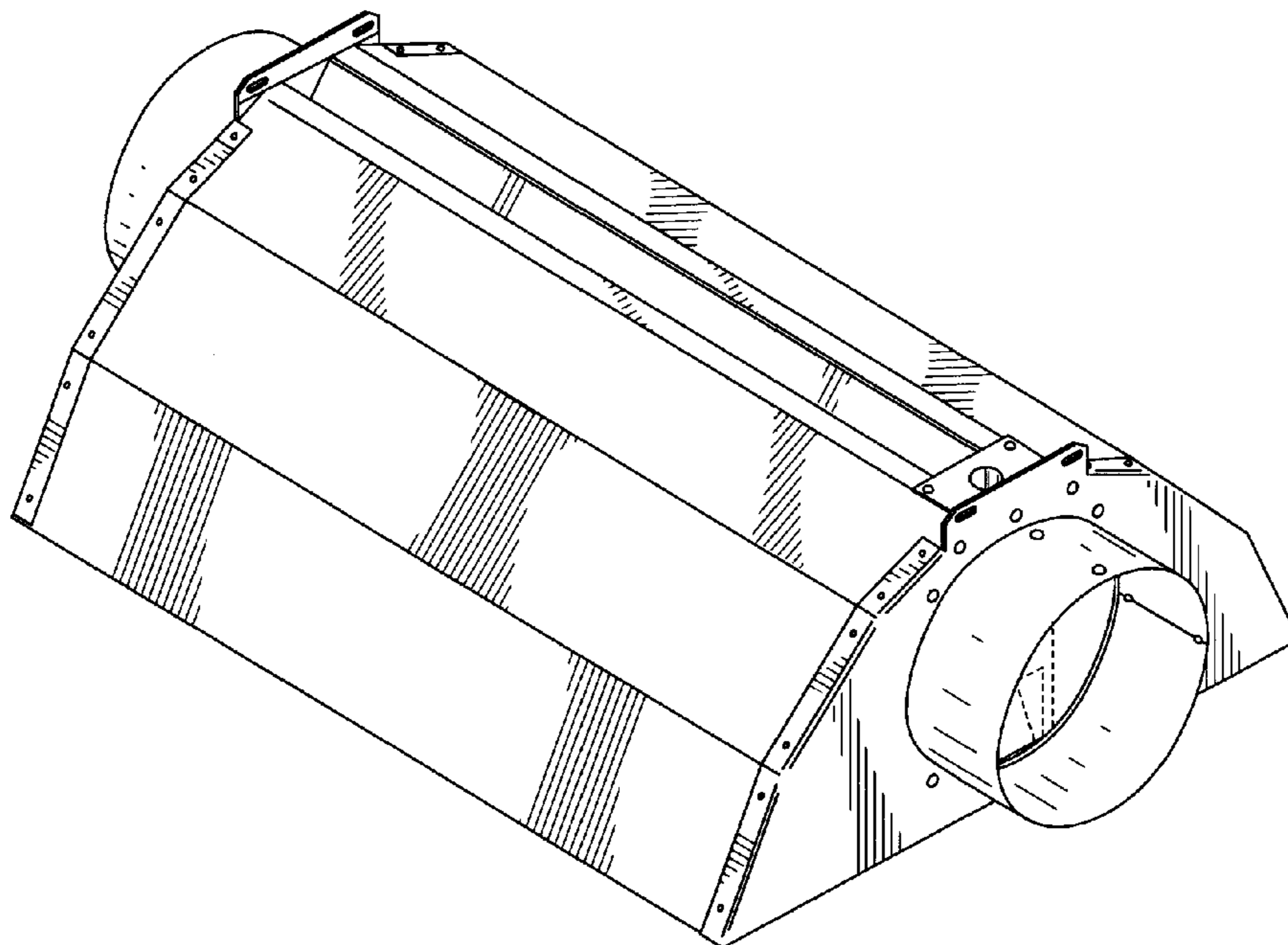
FIG. 4 is a front side view in elevation of the reflective light housing of FIG. 1;

FIG. 5 is a rear side view in elevation of the reflective light housing of FIG. 1; and,

FIG. 6 is a bottom view of the reflective light housing of FIG. 1.

The broken line showing of the inner element is included for the purpose of illustrating only and forms no part of the claimed design.

1 Claim, 5 Drawing Sheets



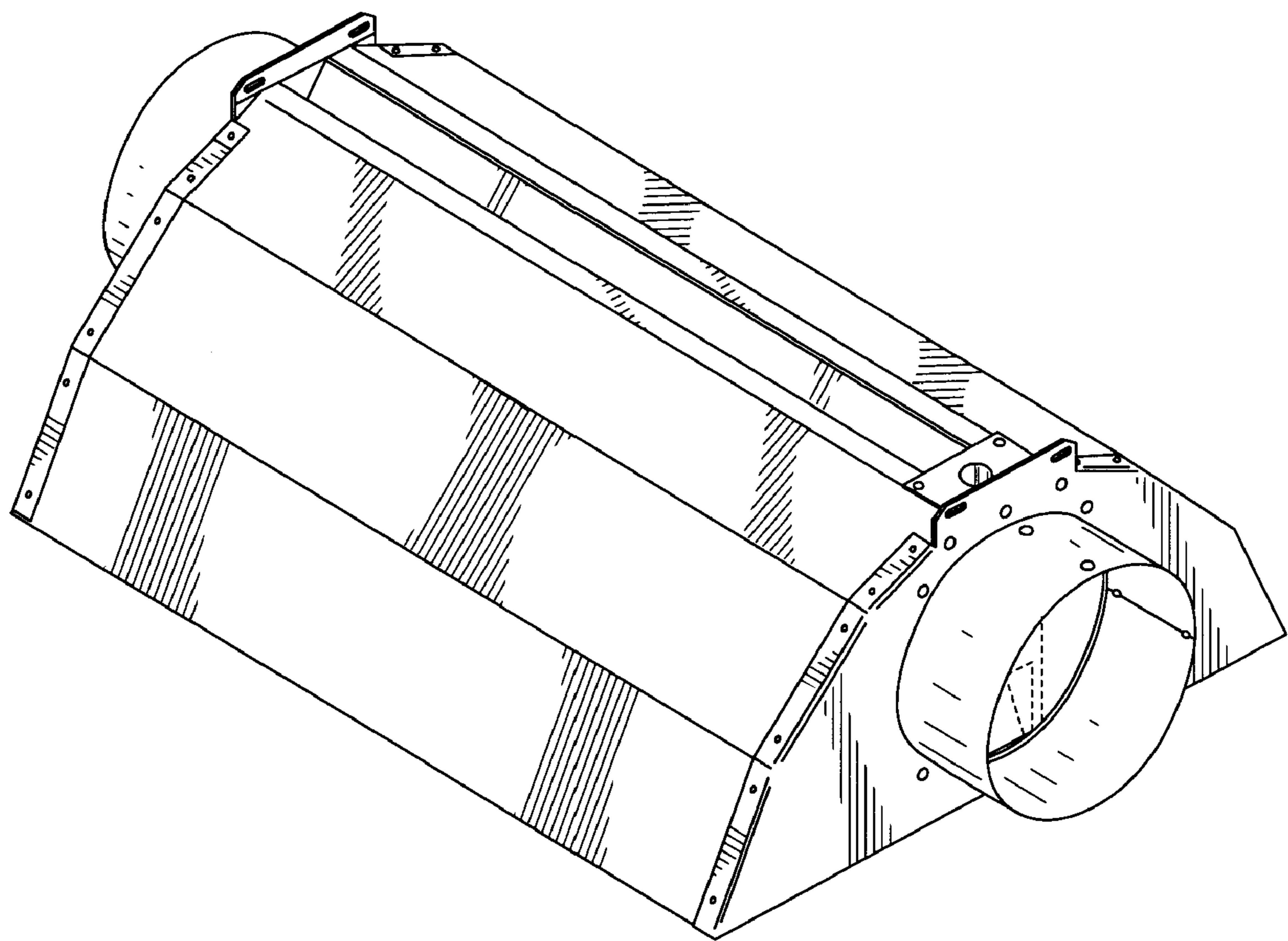


FIG. 1

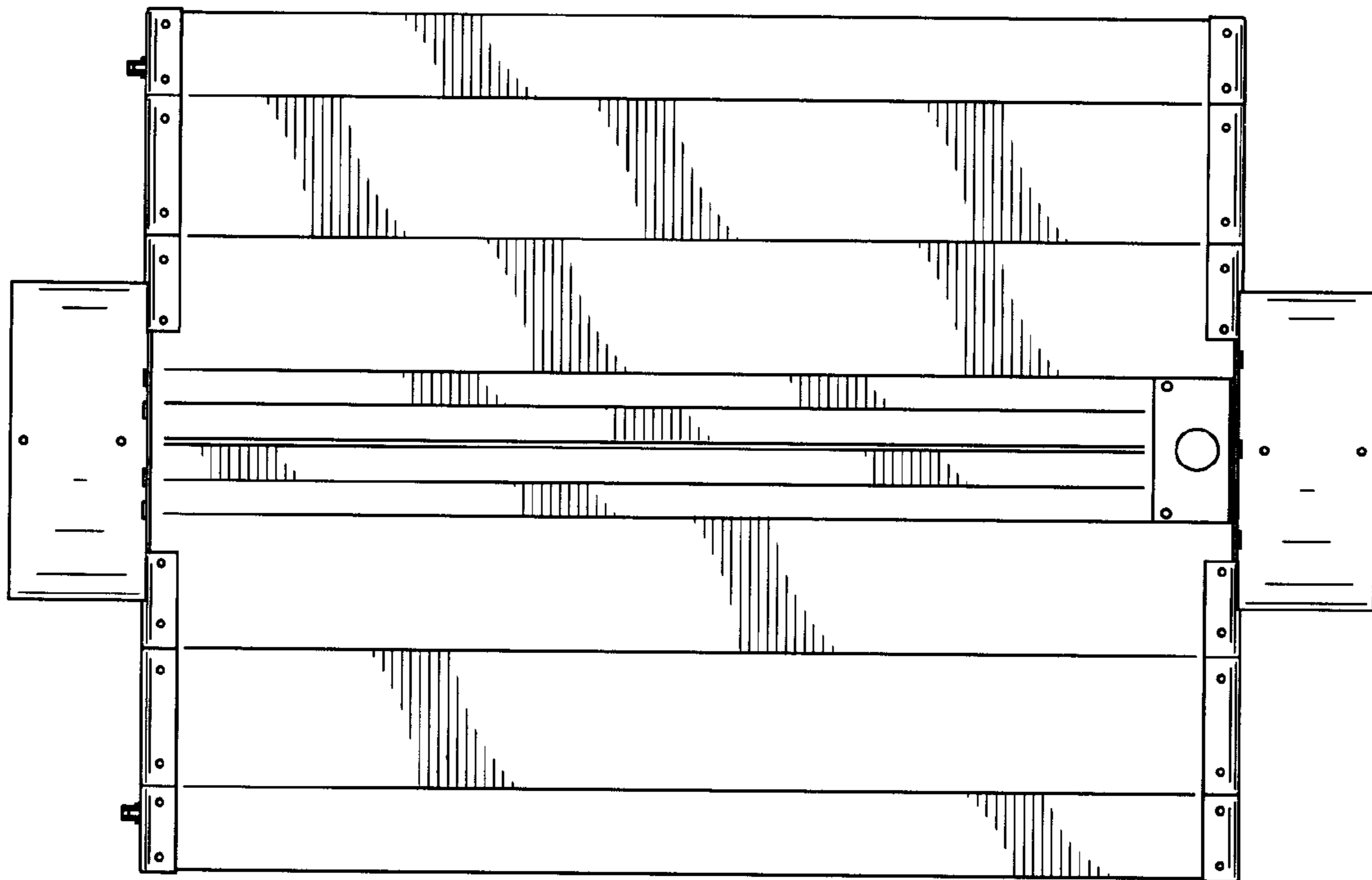


FIG. 2

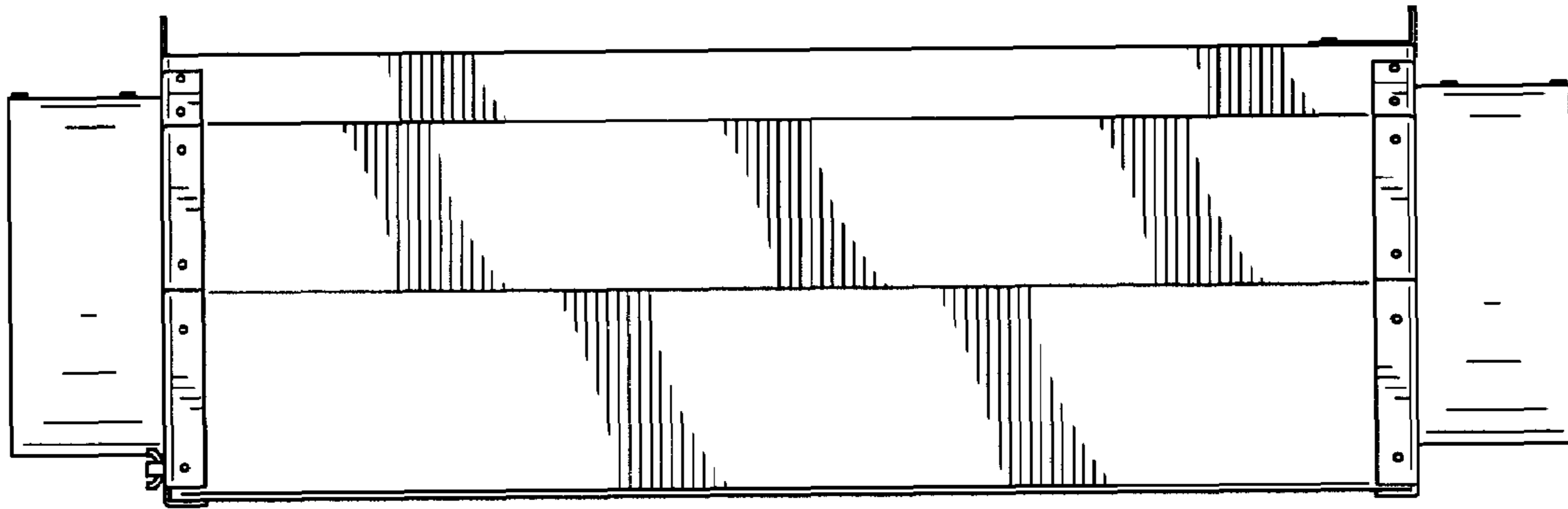


FIG. 3

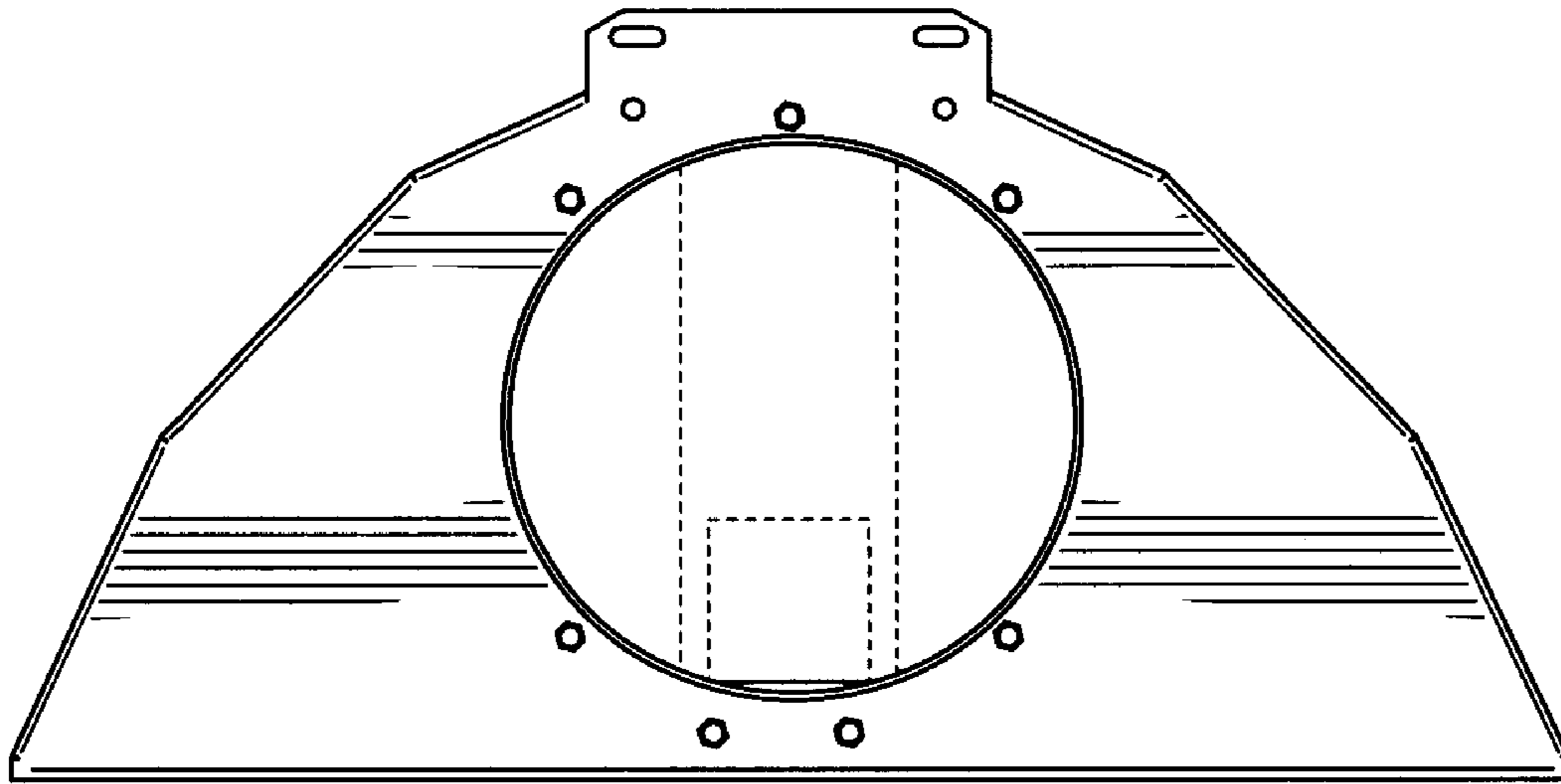


FIG. 4

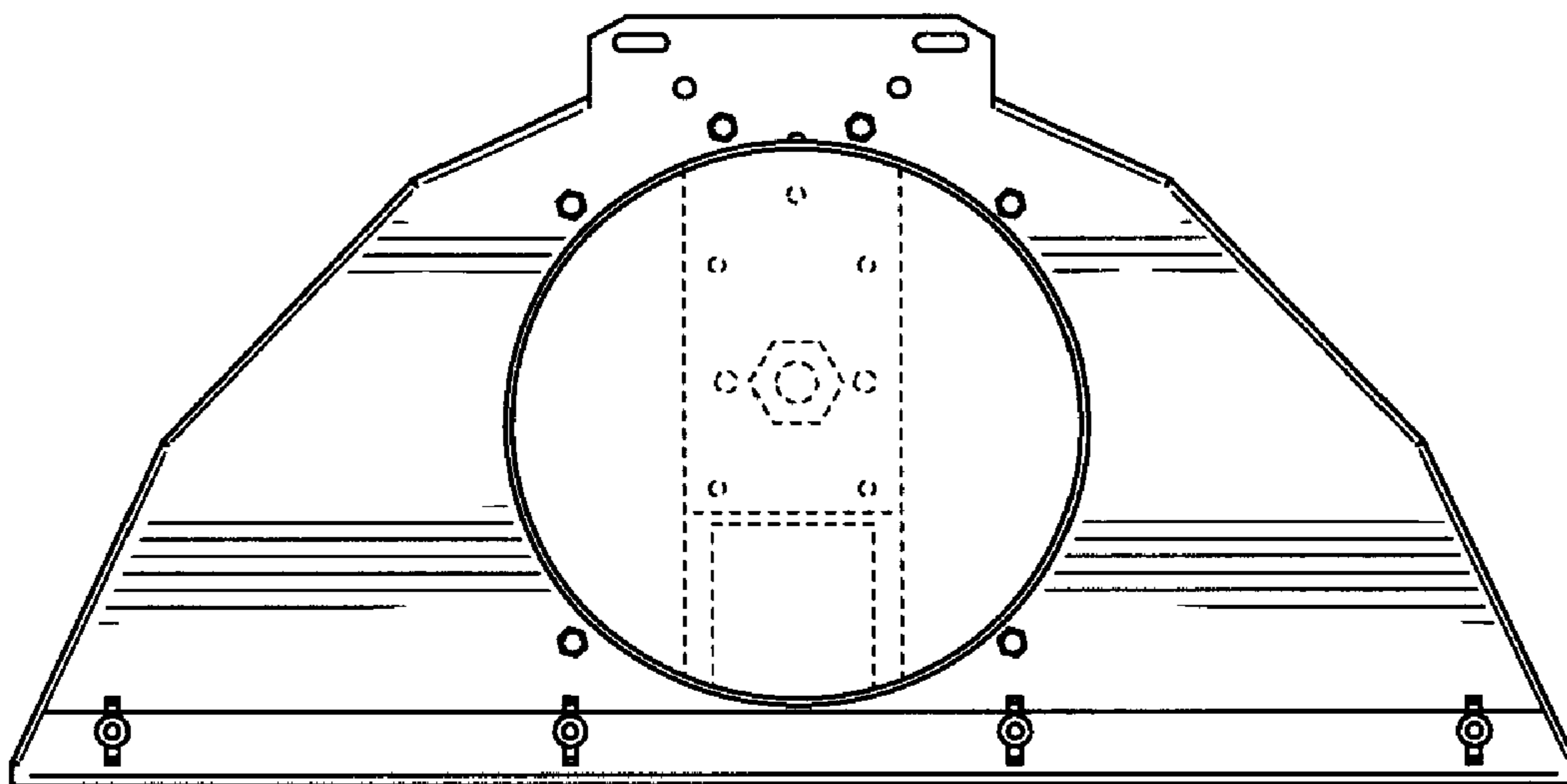


FIG. 5

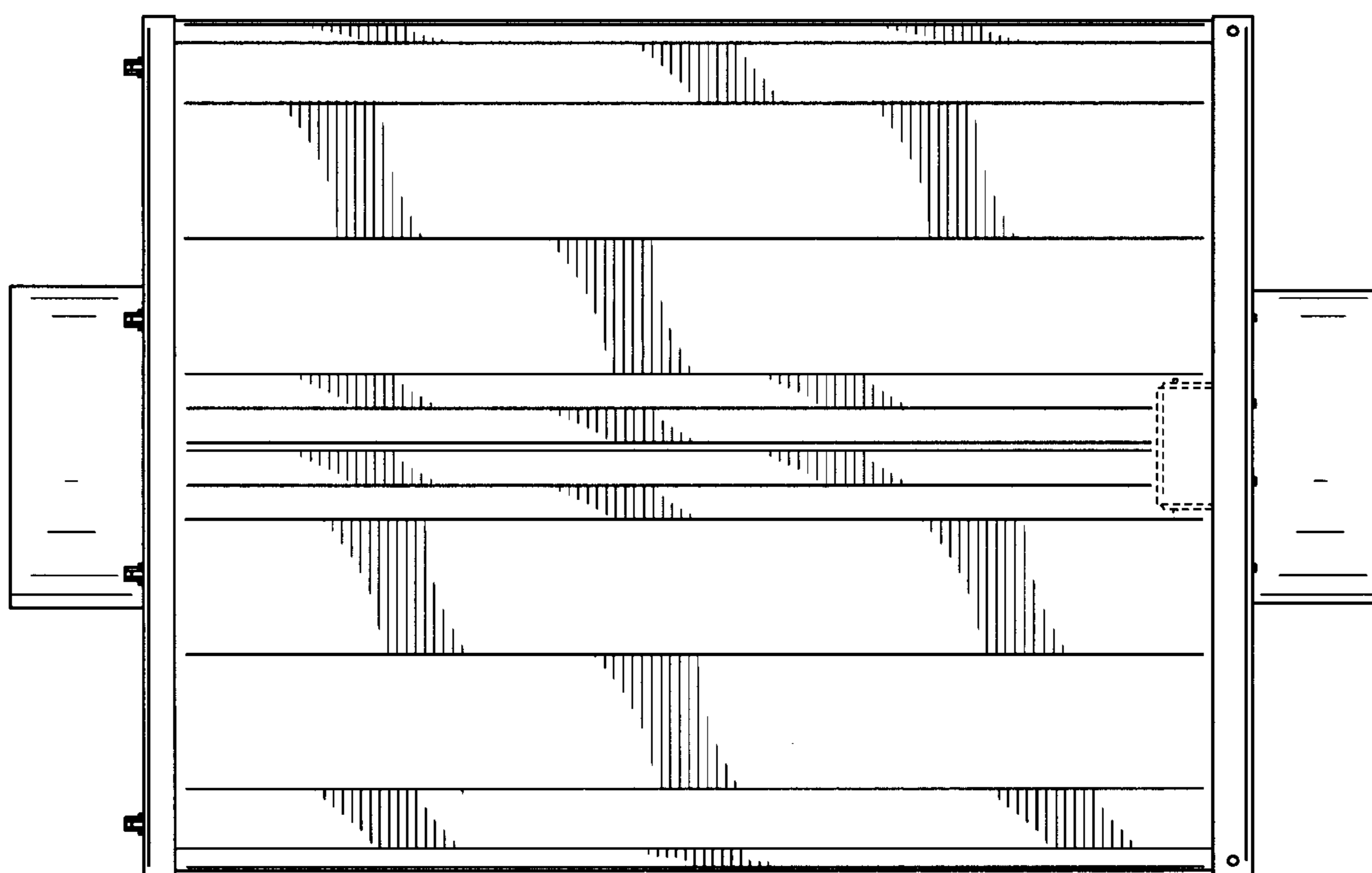


FIG. 6