



US00D545483S

(12) **United States Design Patent**
Mayfield, III et al.

(10) **Patent No.:** **US D545,483 S**
(45) **Date of Patent:** **** Jun. 26, 2007**

(54) **LIGHT FIXTURE**

(74) *Attorney, Agent, or Firm*—Needle & Rosenberg, PC.

(75) Inventors: **John T. Mayfield, III**, Loganville, GA (US); **Carl T. Gould**, Boulder, CO (US); **Kevin Leadford**, Evergreen, CO (US); **Stephen H. Lydecker**, Snellville, GA (US)

(57) **CLAIM**

The ornamental design for a light fixture, as shown and described.

(73) Assignee: **Acuity Brands, Inc.**, Atlanta, GA (US)

DESCRIPTION

(**) Term: **14 Years**

(21) Appl. No.: **29/215,618**

(22) Filed: **Oct. 21, 2004**

(51) **LOC (8) Cl.** **26-99**

(52) **U.S. Cl.** **D26/118**

(58) **Field of Classification Search** D26/118,
D26/76, 75, 152, 138, 77, 121, 74, 142, 128,
D26/113, 119, 120, 122; 362/223, 263, 225,
362/339, 404, 219, 217, 364, 291, 328, 257,
362/260, 317, 326, 330, 341

See application file for complete search history.

FIG. 1 is a perspective view of a light fixture of the present invention;

FIG. 2 is a bottom plan view of the light fixture of FIG. 1;

FIG. 3 is a cross-sectional view of the light fixture of FIG. 1 taken along the line 3-3 in FIG. 2;

FIG. 4 is a cross-sectional view of the light fixture of FIG. 1 taken along the line 4-4 in FIG. 2;

FIG. 5 is a perspective view of a second embodiment of the light fixture of the present invention;

FIG. 6 is a bottom plan view of the light fixture of FIG. 5;

FIG. 7 is a cross-sectional view of the light fixture of FIG. 5 taken along the line 7-7 in FIG. 6; and,

FIG. 8 is a cross-sectional view of the light fixture of FIG. 5 taken along the line 8-8 in FIG. 6.

FIGS. 1, 2, 4, 5, 6, and 8 are broken away to indicate indeterminate length. The broken lines are shown in FIGS. 1, 3, 4, 5, 7, and 8 for illustrative purposes only and form no part of the claimed design. The broken lines in FIGS. 5, 6, and 7 shown on the respective end faces of the light fixture are for illustrative purposes only and form no part of the claimed design. The top of the light fixture is unornamented and forms no part of the design.

(56) **References Cited**

U.S. PATENT DOCUMENTS

D85,382 S * 10/1931 Guth D26/24
1,888,103 A * 11/1932 Guth 362/348

(Continued)

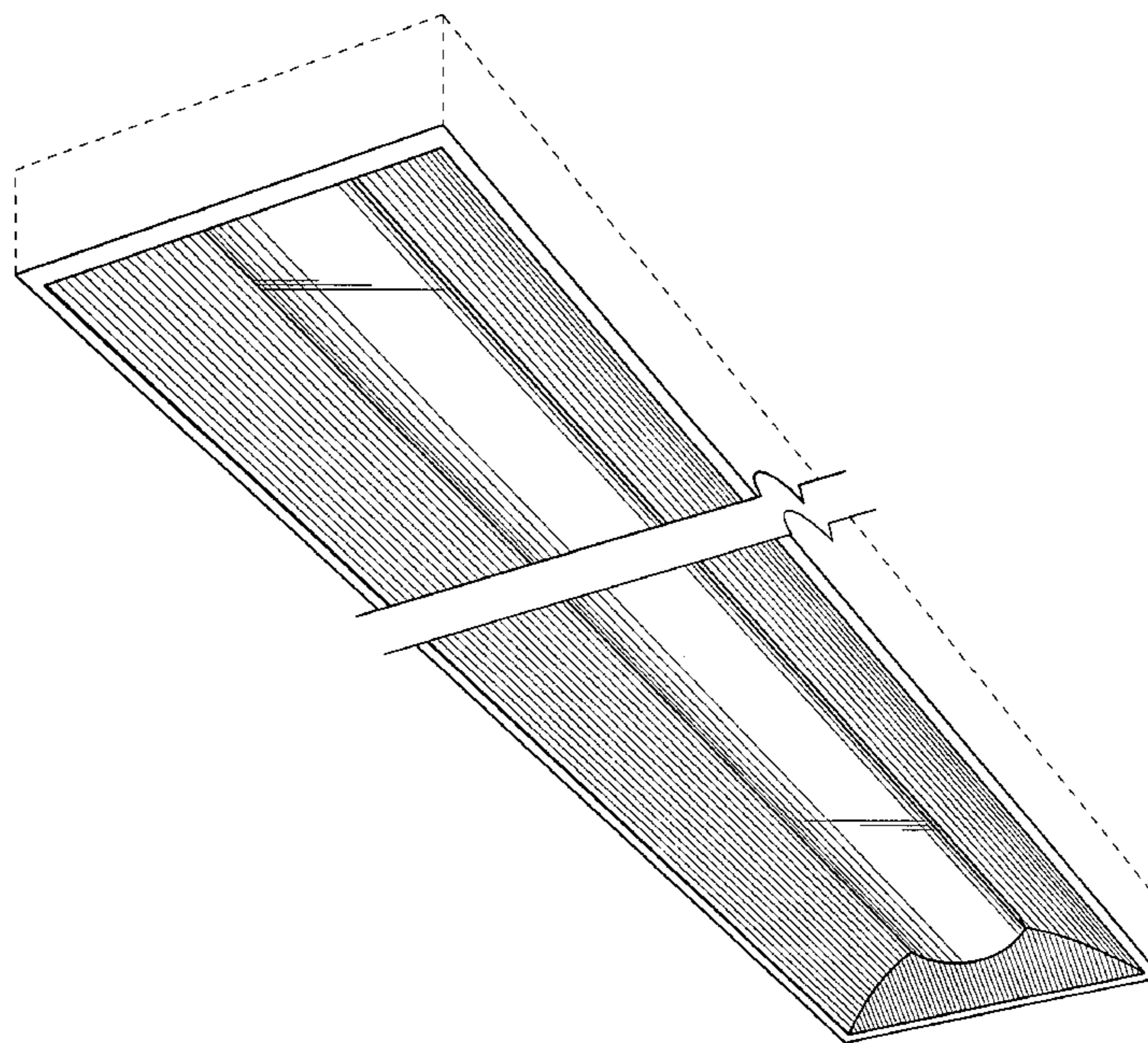
OTHER PUBLICATIONS

Peerless-Lighting, Parallels, pp. 1-2 (2005).

(Continued)

Primary Examiner—Freda S. Nunn
Assistant Examiner—Kevin K. Rudzinski

1 Claim, 6 Drawing Sheets



U.S. PATENT DOCUMENTS

D125,001 S *	2/1941	Klingsick	D26/78	D473,007 S	4/2003	Herst et al.	D26/113
D132,296 S *	5/1942	Hoeveler	D26/122	D473,335 S	4/2003	Bohard et al.	D26/113
D132,786 S *	6/1942	Netting	D26/78	6,540,382 B1	4/2003	Simon	362/339
2,323,073 A *	6/1943	Netting	362/225	D477,891 S	7/2003	Fritze et al.	D26/74
2,339,100 A *	1/1944	Netting	362/219	D480,168 S	9/2003	Herst et al.	D26/77
D156,743 S *	1/1950	Kennedy	D26/59	D480,172 S	9/2003	Herst et al.	D26/121
2,852,663 A	9/1958	Stuffer et al.	240/51.11	6,612,718 B1	9/2003	Packer et al.	362/267
3,125,301 A *	3/1964	Stotter	362/217	6,612,723 B2	9/2003	Futhey et al.	362/339
3,265,887 A	8/1966	Wince		D480,500 S	10/2003	Herst et al.	D26/121
3,270,194 A *	8/1966	Lee	362/218	D480,501 S	10/2003	Herst et al.	D26/121
3,838,268 A	9/1974	Fabbri	240/9	D480,502 S	10/2003	Herst et al.	D26/121
3,860,903 A *	1/1975	Van Steenhoven	362/279	D480,503 S	10/2003	Herst et al.	D26/121
4,499,529 A *	2/1985	Figueroa	362/283	D480,530 S	10/2003	Herst et al.	121/77
D284,110 S *	6/1986	Mullins	D26/76	D480,830 S	10/2003	Sieczkowski	D26/118
4,622,624 A *	11/1986	McCarthy et al.	362/217	D481,488 S	10/2003	Herst et al.	D26/121
4,698,734 A	10/1987	Ngai	362/225	D481,489 S	10/2003	Cline et al.	D26/128
4,799,136 A	1/1989	Molnar	362/300	6,637,912 B2	10/2003	Arumugasaamy et al. ..	362/327
D300,873 S *	4/1989	Thompson et al.	D26/74	D481,820 S	11/2003	Watt	D26/77
5,062,030 A *	10/1991	Figueroa	362/346	6,652,118 B2	11/2003	Shemitz et al.	362/225
5,192,129 A *	3/1993	Figueroa	362/346	D483,510 S	12/2003	Fritze et al.	D26/75
D348,950 S *	7/1994	Herst et al.	D26/85	6,655,819 B2	12/2003	Loga et al.	362/263
D351,481 S *	10/1994	Cole, Jr.	D26/76	D485,932 S	1/2004	Crane	D26/76
5,555,162 A *	9/1996	Shemitz	362/225	D487,527 S	3/2004	Sieczkowski	D26/76
5,570,947 A *	11/1996	Felland	362/148	6,709,131 B1	3/2004	Herst et al.	362/223
5,746,502 A	5/1998	Huang	362/223	6,726,345 B2	4/2004	Arumugasaamy et al. ..	362/327
D397,819 S	9/1998	Thorton, Jr.	D26/77	D496,121 S *	9/2004	Santoro	D26/74
D399,586 S *	10/1998	Ranieri et al.	D26/74	2002/0080615 A1	6/2002	Marshall et al.	362/333
D407,473 S *	3/1999	Wimbock	D23/328				
D411,641 S *	6/1999	Ranieri et al.	D26/74				
D413,402 S *	8/1999	Ranieri et al.	D26/74				
5,971,571 A	10/1999	Rose	362/346				
5,988,829 A	11/1999	Holder	362/217				
5,988,836 A	11/1999	Swarens	362/364				
6,102,550 A	8/2000	Edwards, Jr.	362/221				
D440,341 S	4/2001	Arumugasaamy	D26/85				
6,238,065 B1	5/2001	Jones	362/339				
6,280,052 B1	8/2001	White	362/225				
6,419,375 B1	7/2002	Leadford et al.	362/297				
D461,267 S	8/2002	Arumugasaamy	D26/85				
6,454,442 B1	9/2002	Changaris	362/297				
6,485,166 B1	11/2002	Fouke	362/340				
D467,676 S	12/2002	Packer et al.	D26/72				
D467,677 S	12/2002	Ries et al.	D26/88				
6,505,953 B1	1/2003	Dahlen	362/217				
6,505,959 B2	1/2003	Masaki et al.	362/339				
6,530,681 B2	3/2003	Sieczkowski	362/404				
6,537,649 B1	3/2003	Martin et al.	428/172				
D472,665 S	4/2003	Herst et al.	D26/113				
D472,666 S	4/2003	Herst et al.	D26/113				
D472,667 S	4/2003	Herst et al.	D26/113				
D472,668 S	4/2003	Herst et al.	D26/113				

OTHER PUBLICATIONS

Lithonia Lighting, an Acuity Brands Company, Avante, Recessed Direct/Indirect Lighting, pp. 1-4 (1996).
 Lithonia Lighting, an Acuity Brands Company, Avante, Direct/Indirect General Lighting System, pp. 1-2 (1995).
 Lightolier, CFI Fluorescent, Alter Soft Lights, 1-8 (1996).
 Alter, pp. 1-6 (1994).
 Lithonia Lighting, an Acuity Brands Company, Product Selection Guide, 8th Edition, pp. 1-620 (2003).
 Lithonia Lighting, an Acuity Brands Company, Avante Recessed Direct/Indirect Lighting, pp. 1-3 (1997).
 Lithonia Lighting, an Acuity Brands Company, Architectural Fluorescent Recessed Direct/Indirect Lighting, pp. 1-13 (1999).
 Genlyte/Thomas, Lightolier, Alter Soft Lights, pp. 1-67 (2003).
 Cooper Lighting, Metalux, p. 1-8 (1999).
 Columbia Lighting, Stratus, pp. 1-9, (1998).
 Focal Point, Luna, pp. 1-5 (1997).
 Lithonia Lighting, an Acuity Brands Company, Direct/Indirect Lighting, pp. 1-15 (2002).
 Lithonia Lighting, an Acuity Brands Company, Product Selection Guide, 8th ed. p. 14-93, 112-115.

* cited by examiner

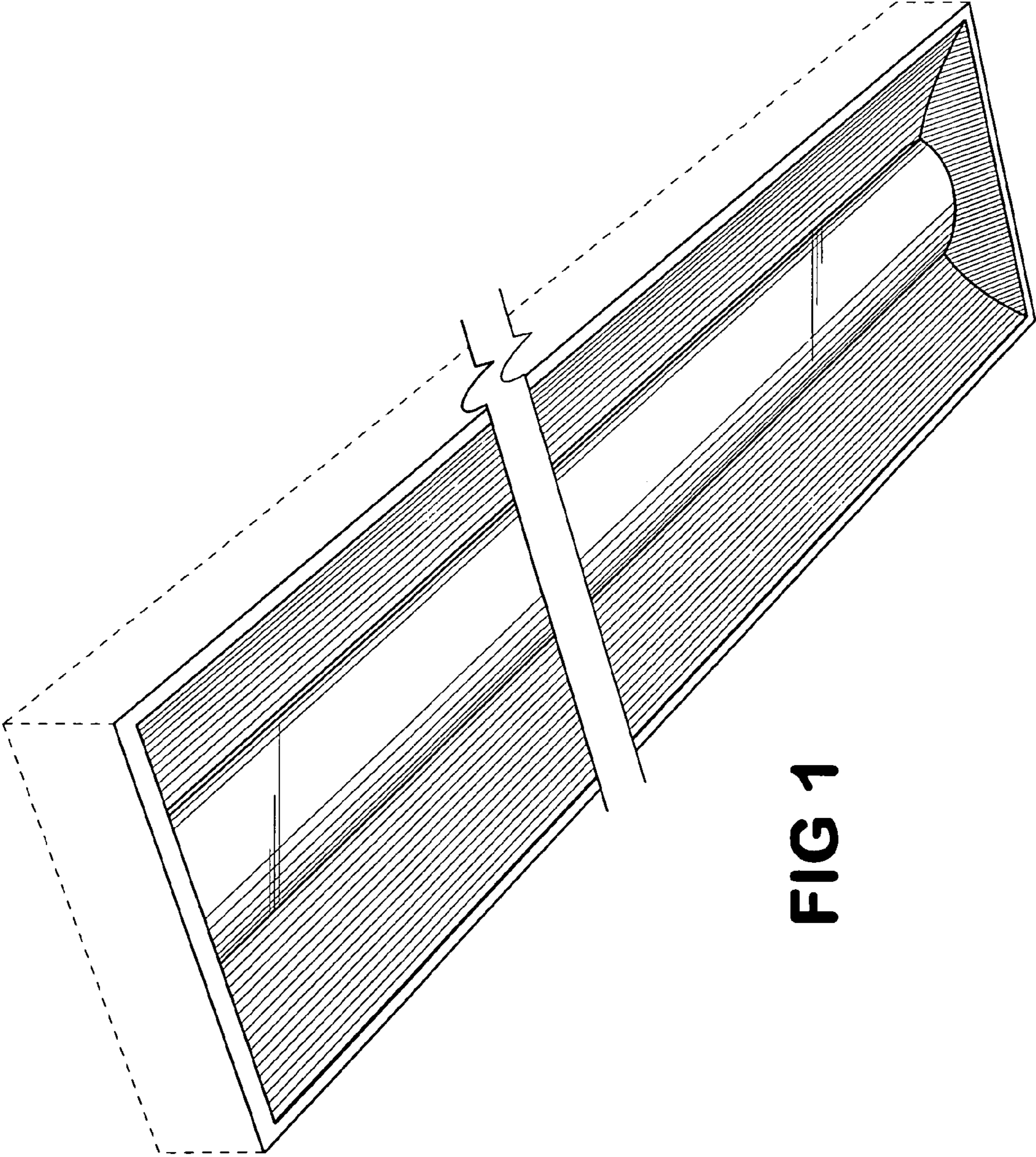


FIG 1

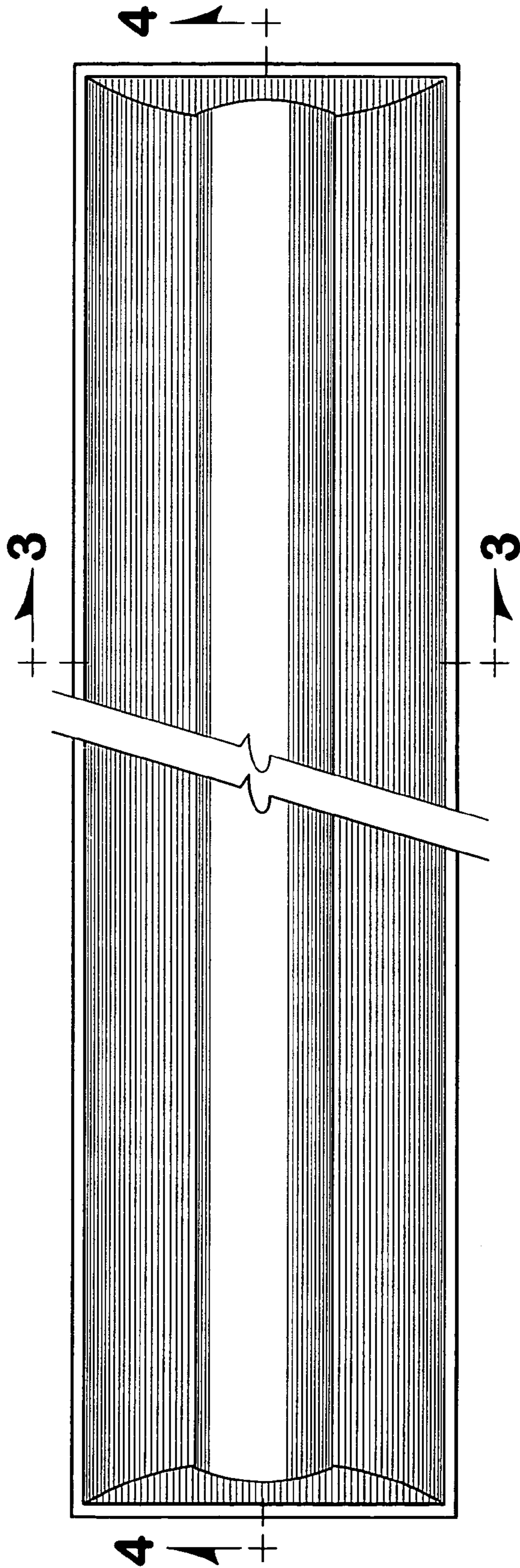


FIG 2

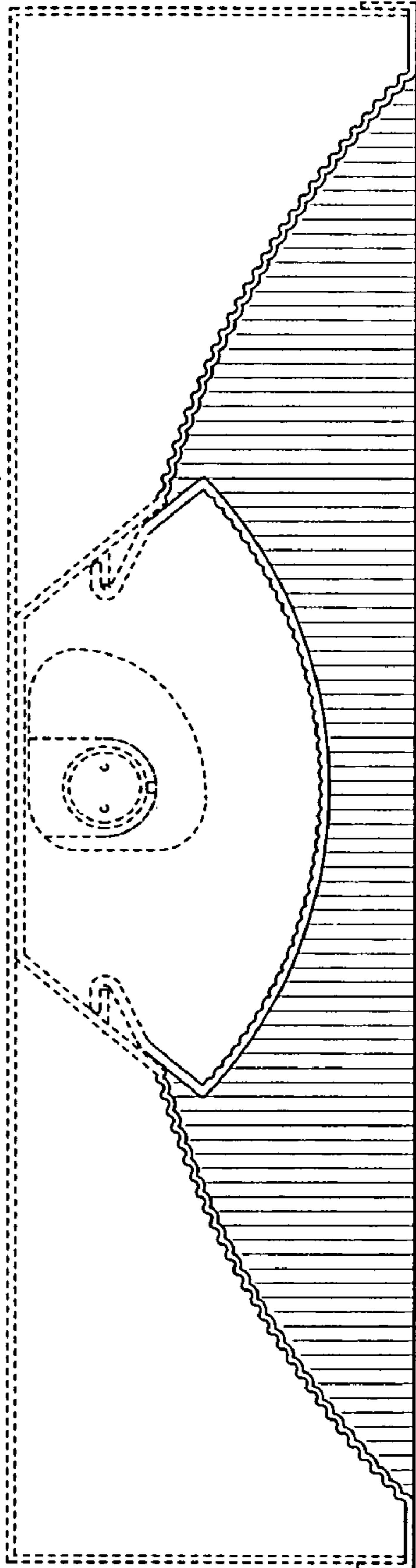


FIG 3

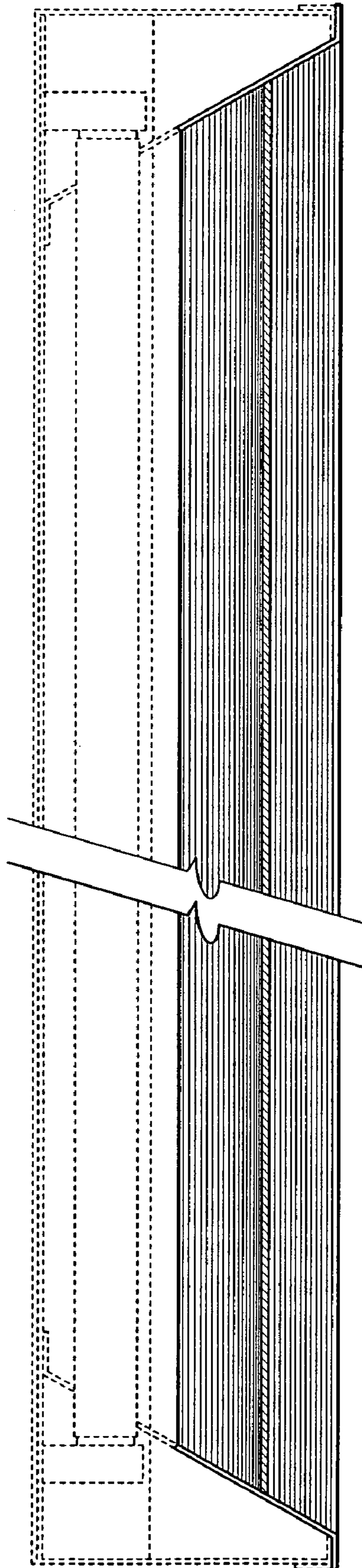


FIG 4

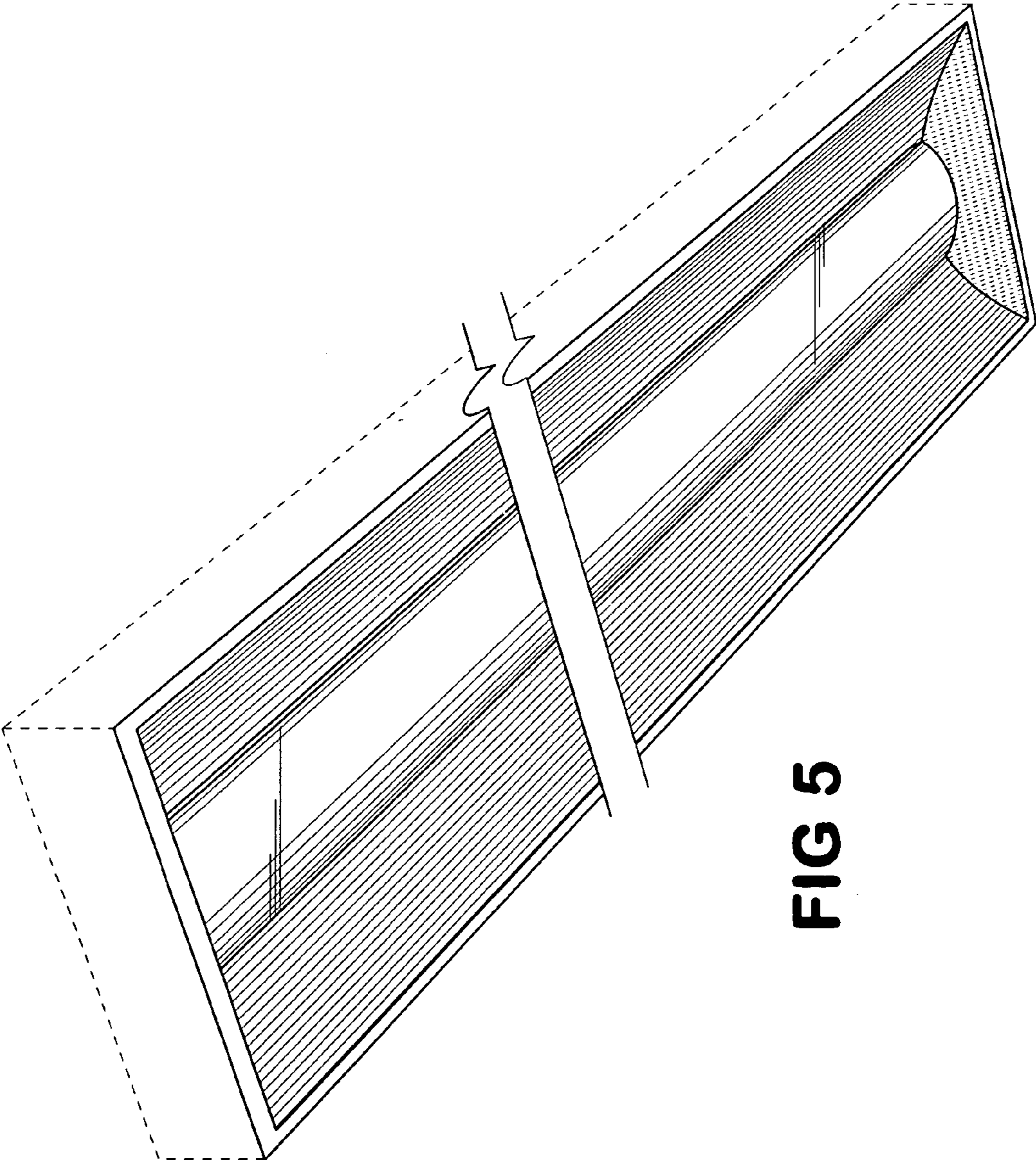


FIG 5

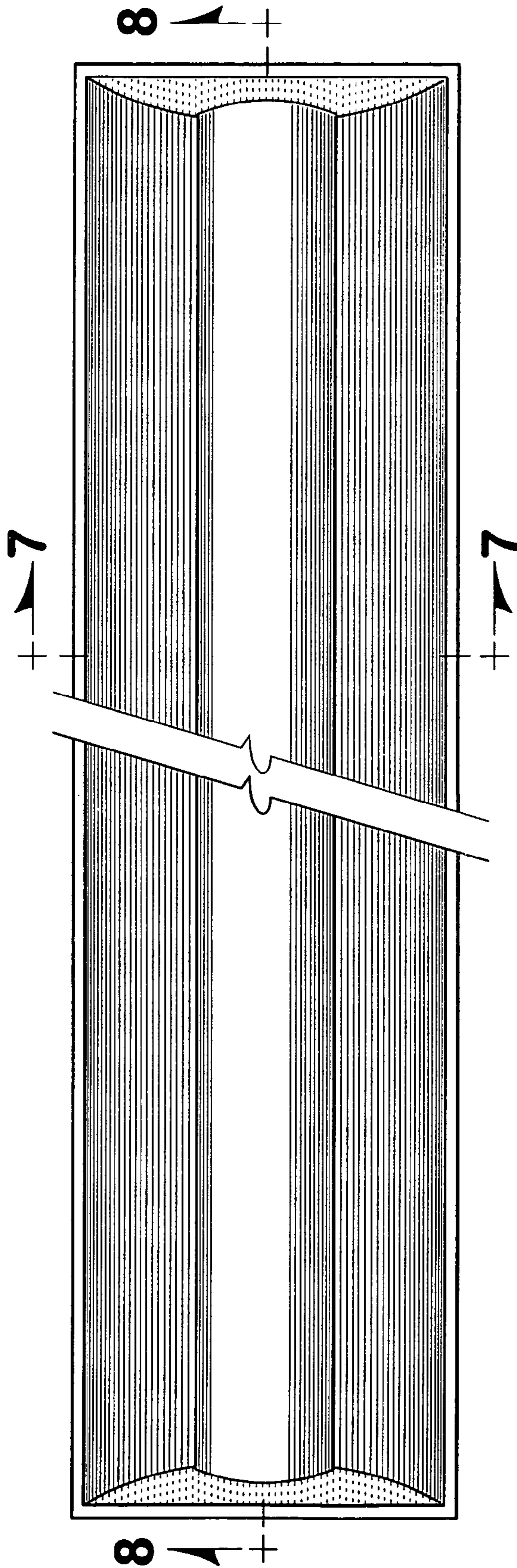


FIG 6

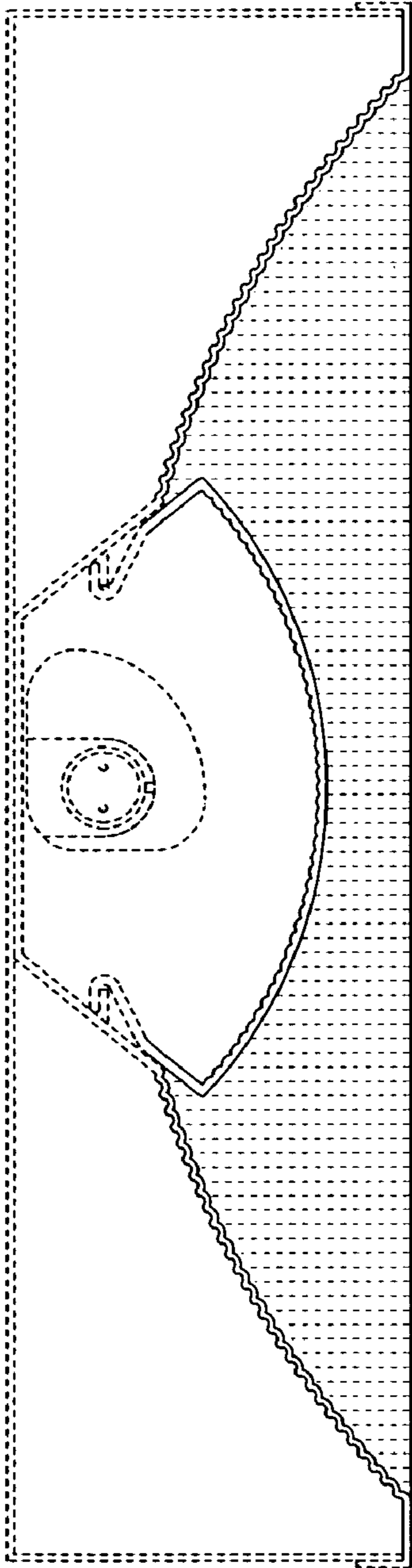


FIG 7

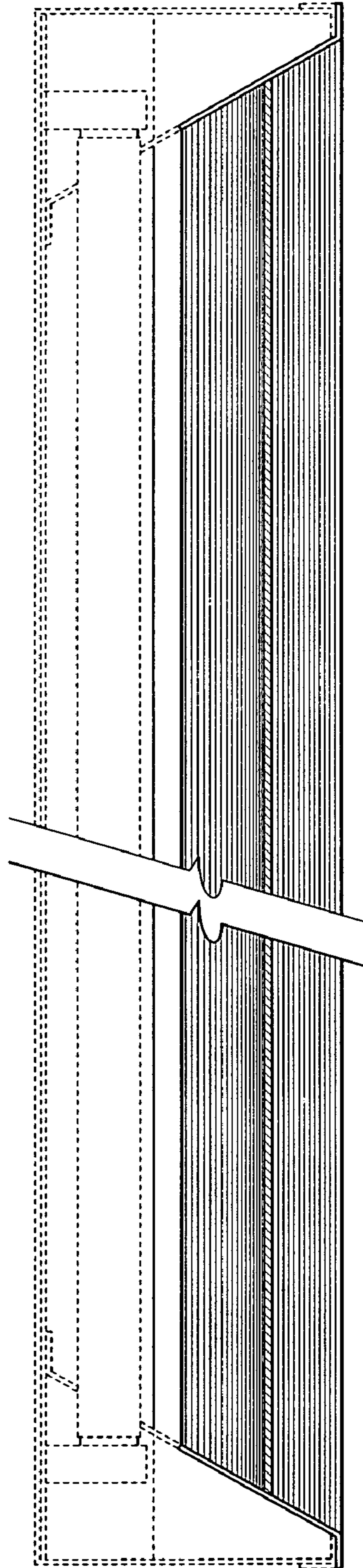


FIG 8