

US00D545482S

(12) **United States Design Patent**
Mayfield, III et al.

(10) **Patent No.: US D545,482 S**

(45) **Date of Patent: ** Jun. 26, 2007**

(54) **LIGHT FIXTURE**

(75) Inventors: **John T. Mayfield, III**, Loganville, GA (US); **Carl T. Gould**, Boulder, CO (US); **Kevin Leadford**, Evergreen, CO (US); **Stephen H. Lydecker**, Snellville, GA (US)

(73) Assignee: **Acuity Brands, Inc.**, Atlanta, GA (US)

(**) Term: **14 Years**

(21) Appl. No.: **29/215,577**

(22) Filed: **Oct. 21, 2004**

(51) **LOC (8) Cl.** **26-99**

(52) **U.S. Cl.** **D26/118**

(58) **Field of Classification Search** D26/118, D26/76, 75, 152, 138, 77, 121, 74, 142, 128, D26/113, 119, 120, 122; 362/223, 263, 225, 362/339, 404, 219, 217, 364, 291, 328, 257, 362/260, 317, 326, 330, 341

See application file for complete search history.

(56) **References Cited**

U.S. PATENT DOCUMENTS

D85,382 S *	10/1931	Guth	D26/24
1,888,103 A *	11/1932	Guth	362/348
D125,001 S *	2/1941	Klingsick	D26/78
D132,296 S *	5/1942	Hoeveler	D26/122
D132,786 S *	6/1942	Netting	D26/78
2,323,073 A *	6/1943	Netting	362/225
2,339,100 A *	1/1944	Netting	362/219
D156,743 S *	1/1950	Kennedy	D26/59
2,852,663 A	9/1958	Stuffer et al.	240/51.11
3,125,301 A *	3/1964	Stotter	362/217
3,265,887 A	8/1966	Wince		
3,270,194 A *	8/1966	Lee	362/218
3,838,268 A	9/1974	Fabbri	240/9
3,860,903 A *	1/1975	Van Steenhoven	362/279

4,499,529 A *	2/1985	Figuroa	362/283
D284,110 S *	6/1986	Mullins	D26/76
4,622,624 A *	11/1986	McCarthy et al.	362/217
4,698,734 A	10/1987	Ngai	362/225
4,799,136 A	1/1989	Molnar	362/300
D300,873 S *	4/1989	Thompson et al.	D26/74
5,062,030 A *	10/1991	Figuroa	362/346
5,192,129 A *	3/1993	Figuroa	362/346

(Continued)

OTHER PUBLICATIONS

Peerless-Lighting, Parallels, pp. 1-2 (2005).

(Continued)

Primary Examiner—Freda S. Nunn

Assistant Examiner—Kevin K. Rudzinski

(74) *Attorney, Agent, or Firm*—Needle & Rosenberg, P.C.

(57) **CLAIM**

The ornamental design for a light fixture, as shown and described.

DESCRIPTION

FIG. 1 is a perspective view of a light fixture of the present invention;

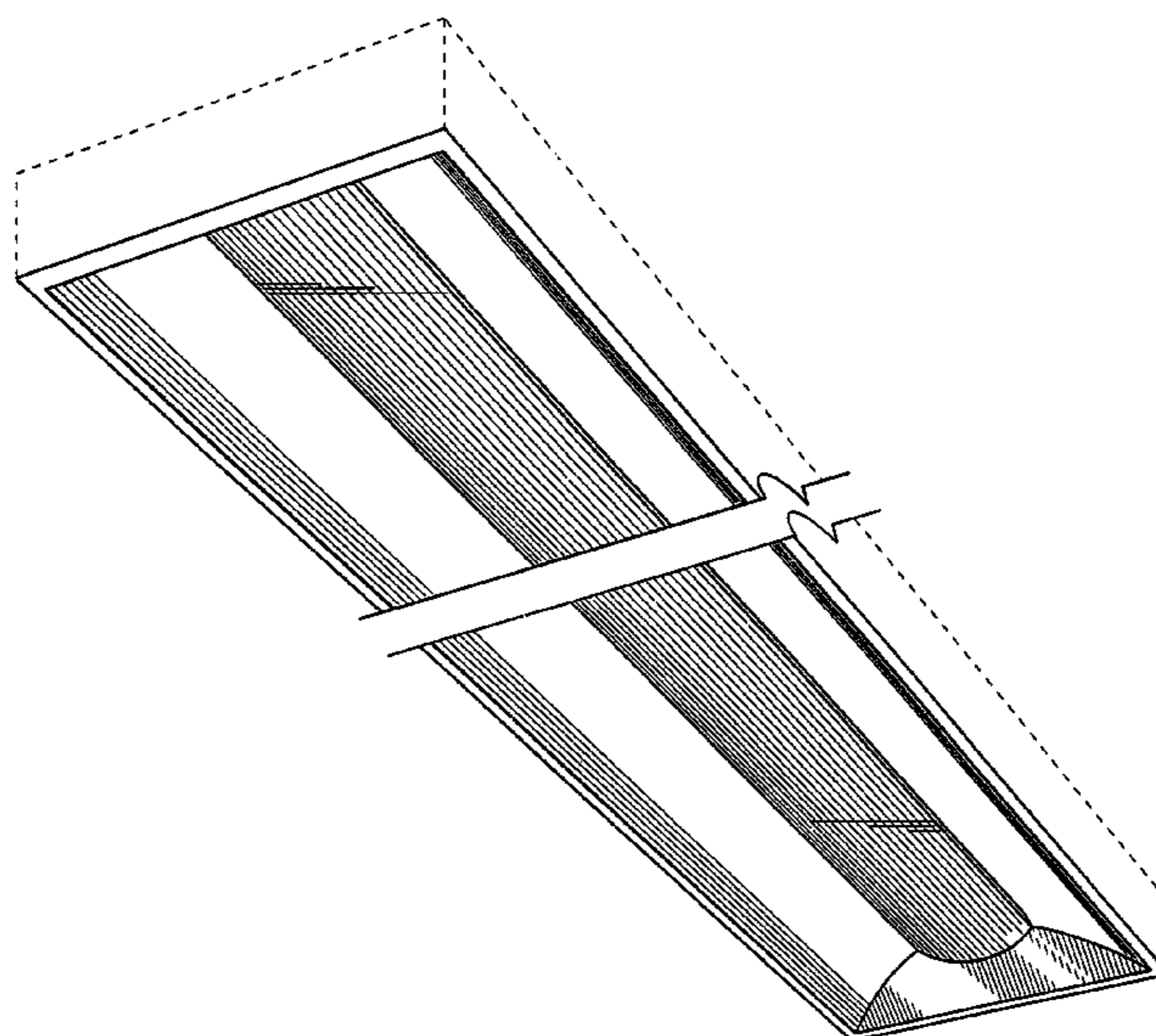
FIG. 2 is a bottom plan view of the light fixture of FIG. 1;

FIG. 3 is a cross-sectional view of the light fixture of FIG. 1 taken along the line 3-3 in FIG. 2; and,

FIG. 4 is a cross-sectional view of the light fixture of FIG. 1 taken along the line 4-4 in FIG. 2.

FIGS. 1, 2 and 4 are broken away to indicate indeterminate length. The broken lines are shown in FIGS. 1, 3, and 4 for illustrative purposes only and form no part of the claimed design. The top of the light fixture is unornamented and forms no part of the design.

1 Claim, 3 Drawing Sheets



U.S. PATENT DOCUMENTS

D348,950	S	*	7/1994	Herst et al.	D26/85
D351,481	S	*	10/1994	Cole, Jr.	D26/76
5,555,162	A	*	9/1996	Shemitz	362/225
5,570,947	A	*	11/1996	Felland	362/148
5,746,502	A		5/1998	Huang	362/223
D397,819	S		9/1998	Thorton, Jr.	D26/77
D399,586	S	*	10/1998	Ranieri et al.	D26/74
D407,473	S	*	3/1999	Wimbock	D23/328
D411,641	S	*	6/1999	Ranieri et al.	D26/74
D413,402	S	*	8/1999	Ranieri et al.	D26/74
5,971,571	A		10/1999	Rose	362/346
5,988,829	A		11/1999	Holder	362/217
5,988,836	A		11/1999	Swarens	362/364
6,102,550	A		8/2000	Edwards, Jr.	362/221
D440,341	S		4/2001	Arumugasaamy	D26/85
6,238,065	B1		5/2001	Jones	362/339
6,280,052	B1		8/2001	White	362/225
6,419,375	B1		7/2002	Leadford et al.	362/297
D461,267	S		8/2002	Arumugasaamy	D26/85
6,454,442	B1		9/2002	Changaris	362/297
6,485,166	B1		11/2002	Fouke	362/340
D467,676	S		12/2002	Packer et al.	D26/72
D467,677	S		12/2002	Ries et al.	D26/88
6,505,953	B1		1/2003	Dahlen	362/217
6,505,959	B2		1/2003	Masaki et al.	362/339
6,530,681	B2		3/2003	Sieczkowski	362/404
6,537,649	B1		3/2003	Martin et al.	428/172
D472,665	S		4/2003	Herst et al.	D26/113
D472,666	S		4/2003	Herst et al.	D26/113
D472,667	S		4/2003	Herst et al.	D26/113
D472,668	S		4/2003	Herst et al.	D26/113
D473,007	S		4/2003	Herst et al.	D26/113
D473,335	S		4/2003	Brohard et al.	D26/113
6,540,382	B1		4/2003	Simon	362/339
D477,891	S		7/2003	Fritze et al.	D26/74
D480,168	S		9/2003	Herst et al.	D26/77
D480,172	S		9/2003	Herst et al.	D26/121
6,612,718	B1		9/2003	Packer et al.	362/267
6,612,723	B2		9/2003	Futhey et al.	362/339
D480,500	S		10/2003	Herst et al.	D26/121

D480,501	S		10/2003	Herst et al.	D26/121
D480,502	S		10/2003	Herst et al.	D26/121
D480,503	S		10/2003	Herst et al.	D26/121
D480,530	S		10/2003	Herst et al.	121/77
D480,830	S		10/2003	Sieczkowski	D26/118
D481,488	S		10/2003	Herst et al.	D26/121
D481,489	S		10/2003	Cline et al.	D26/128
6,637,912	B2		10/2003	Arumugasaamy et al.	..	362/327
D481,820	S		11/2003	Watt	D26/77
6,652,118	B2		11/2003	Shemitz et al.	362/225
D483,510	S		12/2003	Fritze et al.	D26/75
6,655,819	B2		12/2003	Loga et al.	362/263
D485,932	S		1/2004	Crane	D26/76
D487,527	S		3/2004	Sieczkowski	D26/76
6,709,131	B1		3/2004	Herst et al.	362/223
6,726,345	B2		4/2004	Arumugasaamy et al.	..	362/327
D496,121	S	*	9/2004	Santoro	D26/74
2002/0080615	A1		6/2002	Marshall et al.	362/333

OTHER PUBLICATIONS

- Lithonia Lighting, an Acuity Brands Company, Avante, Recessed Direct/Indirect Lighting, pp. 1-4 (1996).
- Lithonia Lighting, an Acuity Brands Company, Avante, Direct/Indirect General Lighting System, pp. 1-2 (1995).
- Lightolier, CFI Fluorescent, Alter Soft Lights, 1-8 (1996).
- Alter, pp. 1-6 (1994).
- Lithonia Lighting, an Acuity Brands Company, Product Selection Guide, 8th Edition, pp. 1-620 (2003).
- Lithonia Lighting, an Acuity Brands Company, Avante Recessed Direct/Indirect Lighting, pp. 1-3 (1997).
- Lithonia Lighting, an Acuity Brands Company, Architectural Fluorescent Recessed Direct/Indirect Lighting, pp. 1-13 (1999).
- Genlyte/Thomas, Lightolier, Alter Soft Lights, pp. 1-67 (2003).
- Cooper Lighting, Melalux, p. 1-8 (1999).
- Columbia Lighting, Stratus, pp. 1-9, (1998).
- Focal Point, Luna, pp. 1-5 (1997).
- Lithonia Lighting, an Acuity Brands Company, Direct/Indirect Lighting, pp. 1-15 (2002).
- Lithonia Lighting, an Acuity Brands Company, Product Selection Guide, 8th ed. p. 14-93, 112-115.

* cited by examiner

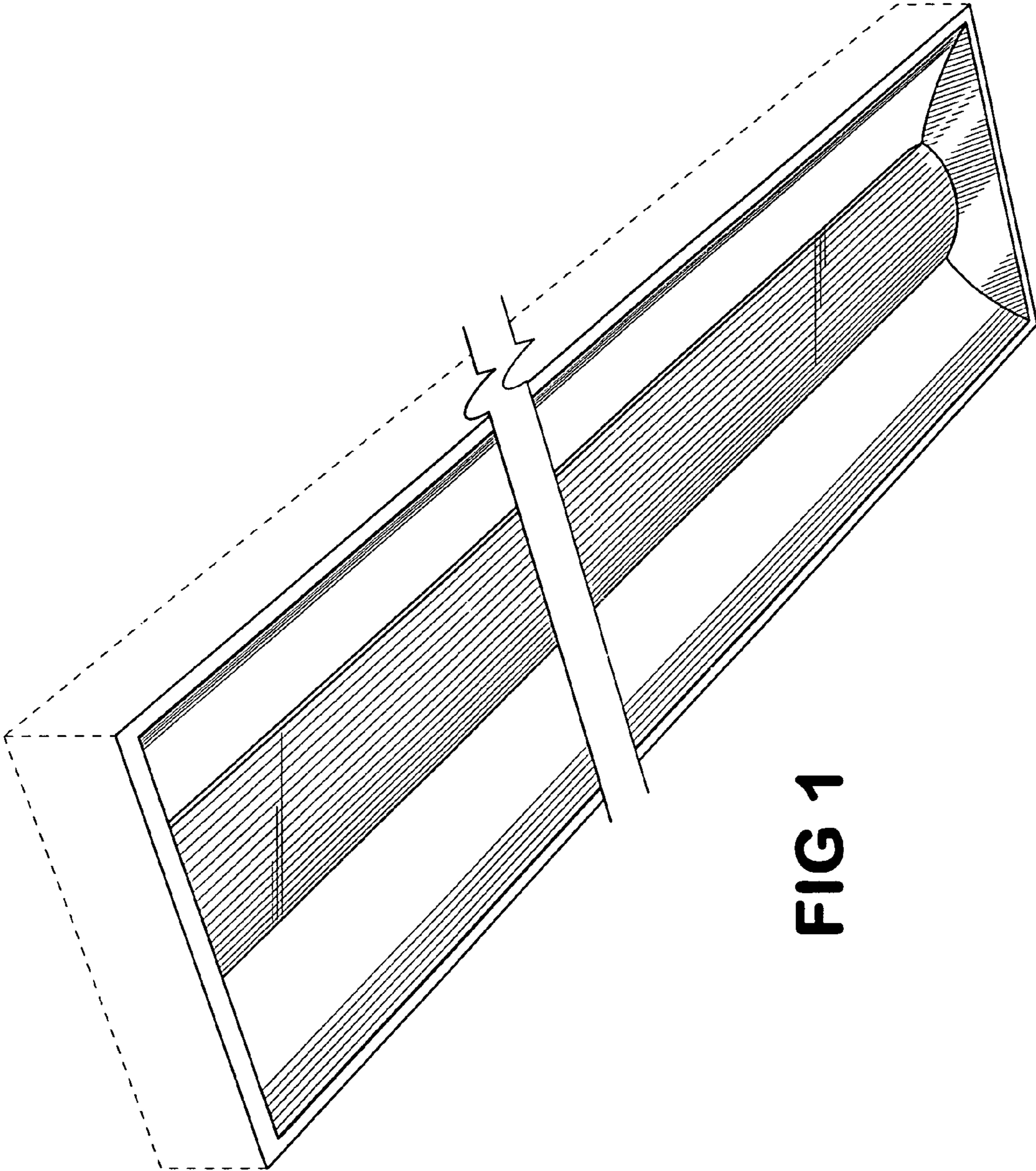


FIG 1

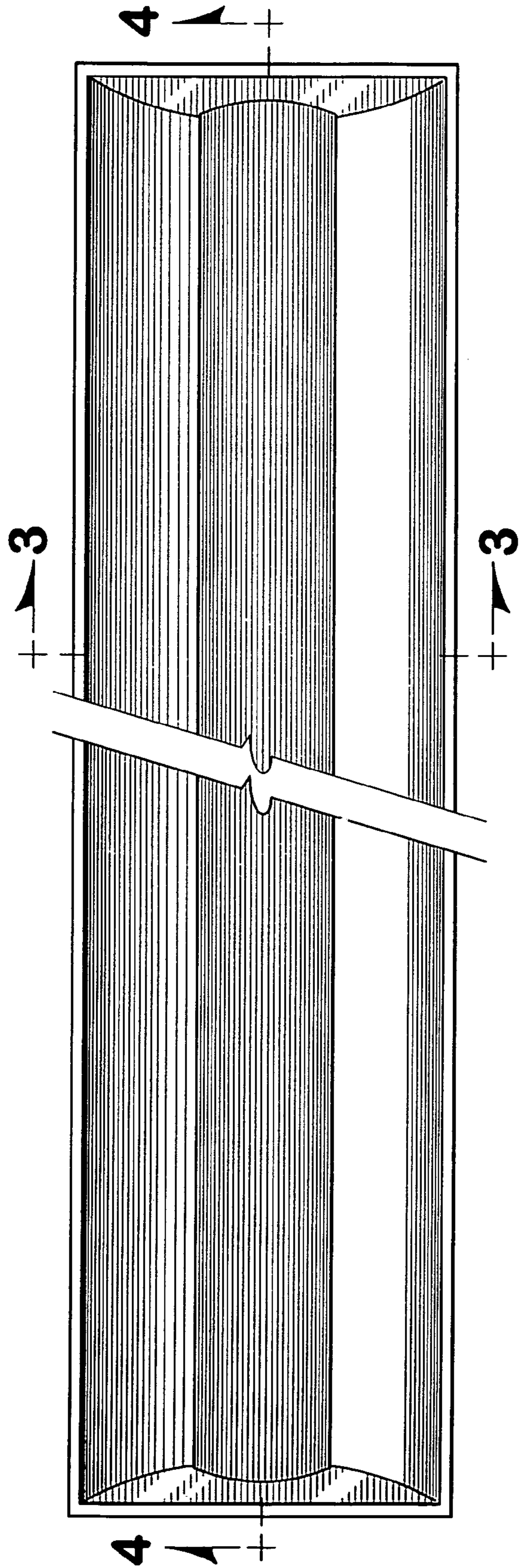


FIG 2

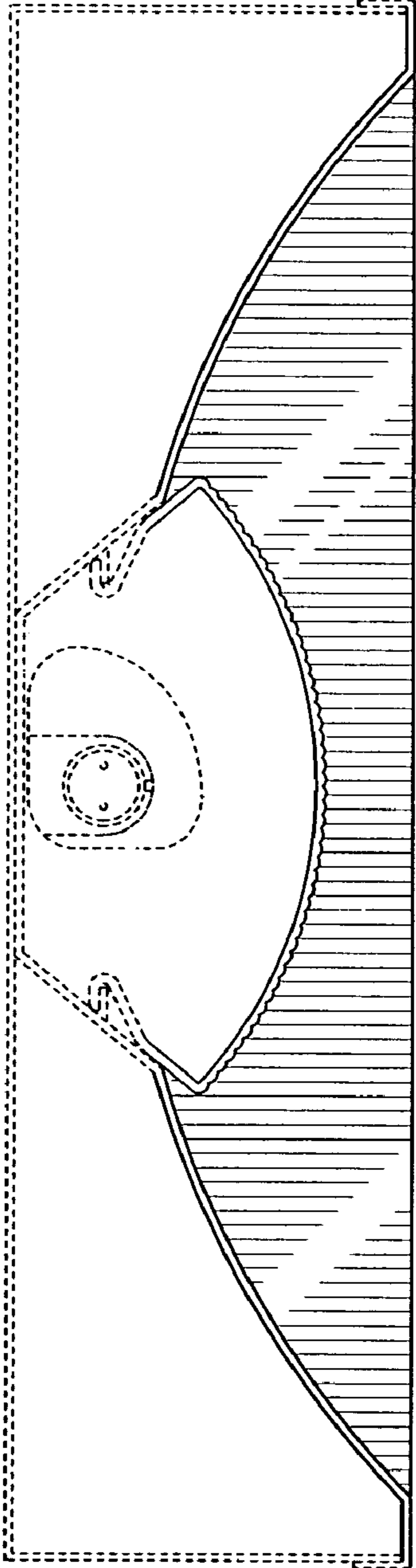


FIG 3

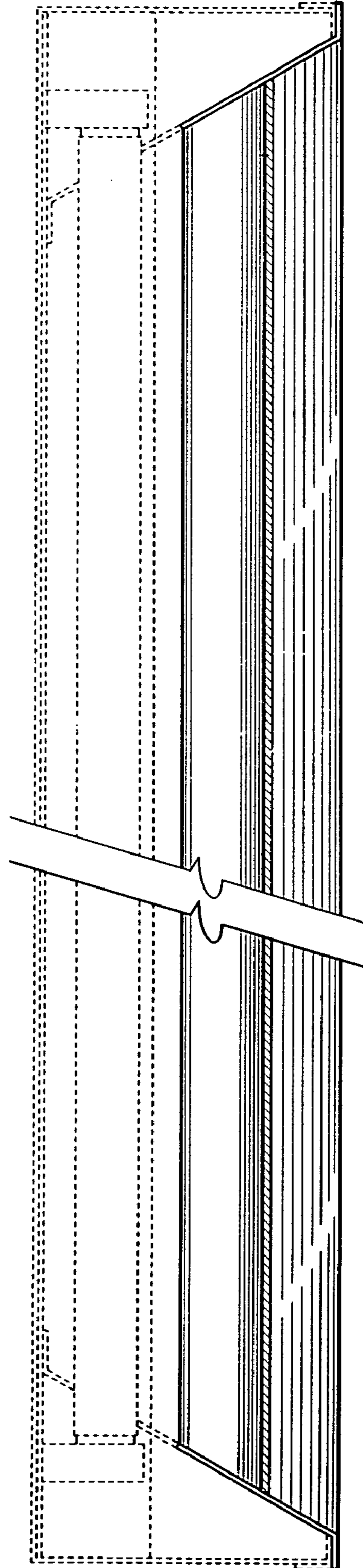


FIG 4