

US00D545481S

(12) **United States Design Patent**
Mayfield, III et al.

(10) **Patent No.:** **US D545,481 S**

(45) **Date of Patent:** **** Jun. 26, 2007**

(54) **LIGHT FIXTURE**

(75) Inventors: **John T. Mayfield, III**, Loganville, GA
(US); **Carl T. Gould**, Boulder, CO
(US); **Kevin Leadford**, Evergreen, CO
(US); **Stephen H. Lydecker**, Snellville,
GA (US)

(73) Assignee: **Acuity Brands, Inc.**, Atlanta, GA (US)

(**) Term: **14 Years**

(21) Appl. No.: **29/215,572**

(22) Filed: **Oct. 21, 2004**

(51) **LOC (8) Cl.** **26-99**

(52) **U.S. Cl.** **D26/118**

(58) **Field of Classification Search** D26/118,
D26/76, 75, 152, 138, 77, 121, 74, 142, 128,
D26/113, 119, 120, 122; 362/223, 263, 225,
362/339, 404, 219, 217, 364, 291, 328, 257,
362/260, 317, 326, 330, 341

See application file for complete search history.

(56) **References Cited**

U.S. PATENT DOCUMENTS

D85,382 S *	10/1931	Guth	D26/24
1,888,103 A *	11/1932	Guth	362/348
D125,001 S *	2/1941	Klingsick	D26/78
D132,296 S *	5/1942	Hoeveler	D26/122
D132,786 S *	6/1942	Netting	D26/78
2,323,073 A *	6/1943	Netting	362/225
2,339,100 A *	1/1944	Netting	362/219
D156,743 S *	1/1950	Kennedy	D26/59
2,852,663 A	9/1958	Stuffer et al.	240/51.11
3,125,301 A *	3/1964	Stotter	362/217
3,265,887 A	8/1966	Wince		
3,270,194 A *	8/1966	Lee	362/218
3,838,268 A	9/1974	Fabbri	240/9
3,860,903 A *	1/1975	Van Steenhoven	362/279

4,499,529 A *	2/1985	Figuroa	362/283
D284,110 S *	6/1986	Mullins	D26/76
4,622,624 A *	11/1986	McCarthy et al.	362/217
4,698,734 A	10/1987	Ngai	362/225
4,799,136 A	1/1989	Molnar	362/300
D300,873 S *	4/1989	Thompson et al.	D26/74
5,062,030 A *	10/1991	Figuroa	362/346
5,192,129 A *	3/1993	Figuroa	362/346

(Continued)

OTHER PUBLICATIONS

Peerless-Lighting, Parallels, pp. 1-2 (2005).

(Continued)

Primary Examiner—Freda S. Nunn

Assistant Examiner—Kevin K. Rudzinski

(74) *Attorney, Agent, or Firm*—Needle & Rosenberg, P.C.

(57) **CLAIM**

The ornamental design for a light fixture, as shown and described.

DESCRIPTION

FIG. 1 is a perspective view of a light fixture of the present invention;

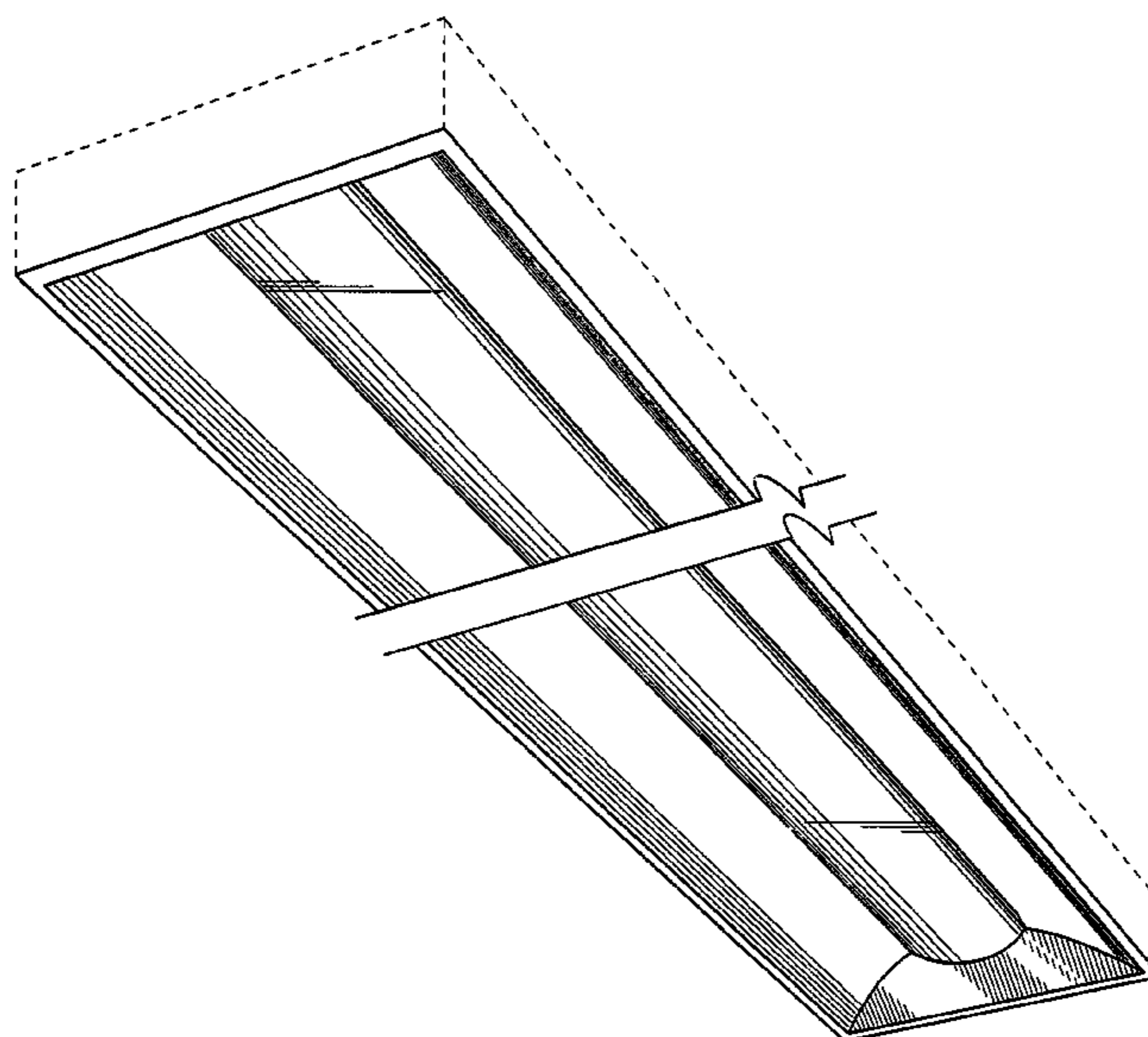
FIG. 2 is a bottom plan view of the light fixture of FIG. 1;

FIG. 3 is a cross-sectional view of the light fixture of FIG. 1 taken along the line 3-3 in FIG. 2; and,

FIG. 4 is a cross-sectional view of the light fixture of FIG. 1 taken along the line 4-4 in FIG. 2.

FIGS. 1, 2 and 4 are broken away to indicate indeterminate length. The broken lines are shown in FIGS. 1, 3, and 4 for illustrative purposes only and form no part of the claimed design. The top of the light fixture is unornamented and forms no part of the design.

1 Claim, 3 Drawing Sheets



US D545,481 S

Page 2

U.S. PATENT DOCUMENTS

D348,950 S *	7/1994	Herst et al.	D26/85	D480,502 S	10/2003	Herst et al.	D26/121
D351,481 S *	10/1994	Cole, Jr.	D26/76	D480,503 S	10/2003	Herst et al.	D26/121
5,555,162 A *	9/1996	Shemitz	362/225	D480,530 S	10/2003	Herst et al.	121/77
5,570,947 A *	11/1996	Felland	362/148	D480,830 S	10/2003	Sieczkowski	D26/118
5,746,502 A	5/1998	Huang	362/223	D481,488 S	10/2003	Herst et al.	D26/121
D397,819 S	9/1998	Thorton, Jr.	D26/77	D481,489 S	10/2003	Cline et al.	D26/128
D399,586 S *	10/1998	Ranieri et al.	D26/74	6,637,912 B2	10/2003	Arumugasaamy et al. ..	362/327
D407,473 S *	3/1999	Wimbock	D23/328	D481,820 S	11/2003	Watt	D26/77
D411,641 S *	6/1999	Ranieri et al.	D26/74	6,652,118 B2	11/2003	Shemitz et al.	362/225
D413,402 S *	8/1999	Ranieri et al.	D26/74	D483,510 S	12/2003	Fritze et al.	D26/75
5,971,571 A	10/1999	Rose	362/346	6,655,819 B2	12/2003	Loga et al.	362/263
5,988,829 A	11/1999	Holder	362/217	D485,932 S	1/2004	Crane	D26/76
5,988,836 A	11/1999	Swarens	362/364	D487,527 S	3/2004	Sieczkowski	D26/76
6,102,550 A	8/2000	Edwards, Jr.	362/221	6,709,131 B1	3/2004	Herst et al.	362/223
D440,341 S	4/2001	Arumugasaamy	D26/85	6,726,345 B2	4/2004	Arumugasaamy et al. ..	362/327
6,238,065 B1	5/2001	Jones	362/339	D496,121 S *	9/2004	Santoro	D26/74
6,280,052 B1	8/2001	White	362/225	2002/0080615 A1	6/2002	Marshall et al.	362/333
6,419,375 B1	7/2002	Leadford et al.	362/297				
D461,267 S	8/2002	Arumugasaamy	D26/85				
6,454,442 B1	9/2002	Changaris	362/297				
6,485,166 B1	11/2002	Fouke	362/340				
D467,676 S	12/2002	Packer et al.	D26/72				
D467,677 S	12/2002	Ries et al.	D26/88				
6,505,953 B1	1/2003	Dahlen	362/217				
6,505,959 B2	1/2003	Masaki et al.	362/339				
6,530,681 B2	3/2003	Sieczkowski	362/404				
6,537,649 B1	3/2003	Martin et al.	428/172				
D472,665 S	4/2003	Herst et al.	D26/113				
D472,666 S	4/2003	Herst et al.	D26/113				
D472,667 S	4/2003	Herst et al.	D26/113				
D472,668 S	4/2003	Herst et al.	D26/113				
D473,007 S	4/2003	Herst et al.	D26/113				
D473,335 S	4/2003	Brohard et al.	D26/113				
6,540,382 B1	4/2003	Simon	362/339				
D477,891 S	7/2003	Fritze et al.	D26/74				
D480,168 S	9/2003	Herst et al.	D26/77				
D480,172 S	9/2003	Herst et al.	D26/121				
6,612,718 B1	9/2003	Packer et al.	362/267				
6,612,723 B2	9/2003	Futhey et al.	362/339				
D480,500 S	10/2003	Herst et al.	D26/121				
D480,501 S	10/2003	Herst et al.	D26/121				

OTHER PUBLICATIONS

Lithonia Lighting, an Acuity Brands Company, Avante, Recessed Direct/Indirect Lighting, pp. 1-4 (1996).
Lithonia Lighting, an Acuity Brands Company, Avante, Direct/Indirect General Lighting System, pp. 1-2 (1995).
Lightolier, CFI Fluorescent, Alter Soft Lights, 1-8 (1996).
Alter, pp. 1-6 (1994).
Lithonia Lighting, an Acuity Brands Company, Product Selection Guide, 8th Edition, pp. 1-620 (2003).
Lithonia Lighting, an Acuity Brands Company, Avante Recessed Direct/Indirect Lighting, pp. 1-3 (1997).
Lithonia Lighting, an Acuity Brands Company, Architectural Fluorescent Recessed Direct/Indirect Lighting, pp. 1-13 (1999).
Genlyte/Thomas, Lightolier, Alter Soft Lights, pp. 1-67 (2003).
Cooper Lighting, Metalux, p. 1-8 (1999).
Columbia Lighting, Stratus, pp. 1-9, (1998).
Focal Point, Luna, pp. 1-5 (1997).
Lithonia Lighting, an Acuity Brands Company, Direct/Indirect Lighting, pp. 1-15 (2002).
Lithonia Lighting, an Acuity Brands Company, Product Selection Guide, 8th ed. p. 14-93, 112-115.

* cited by examiner

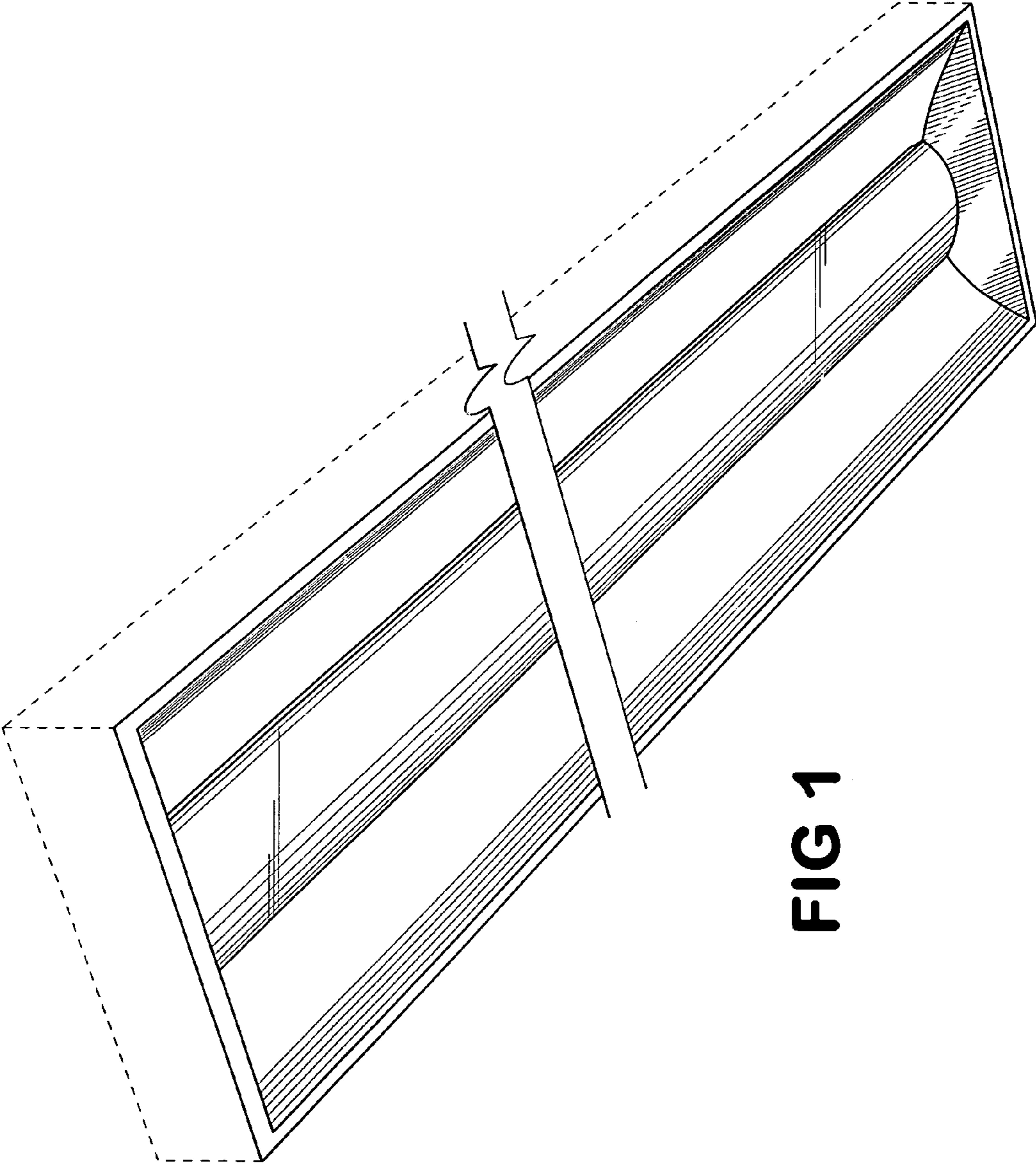


FIG 1

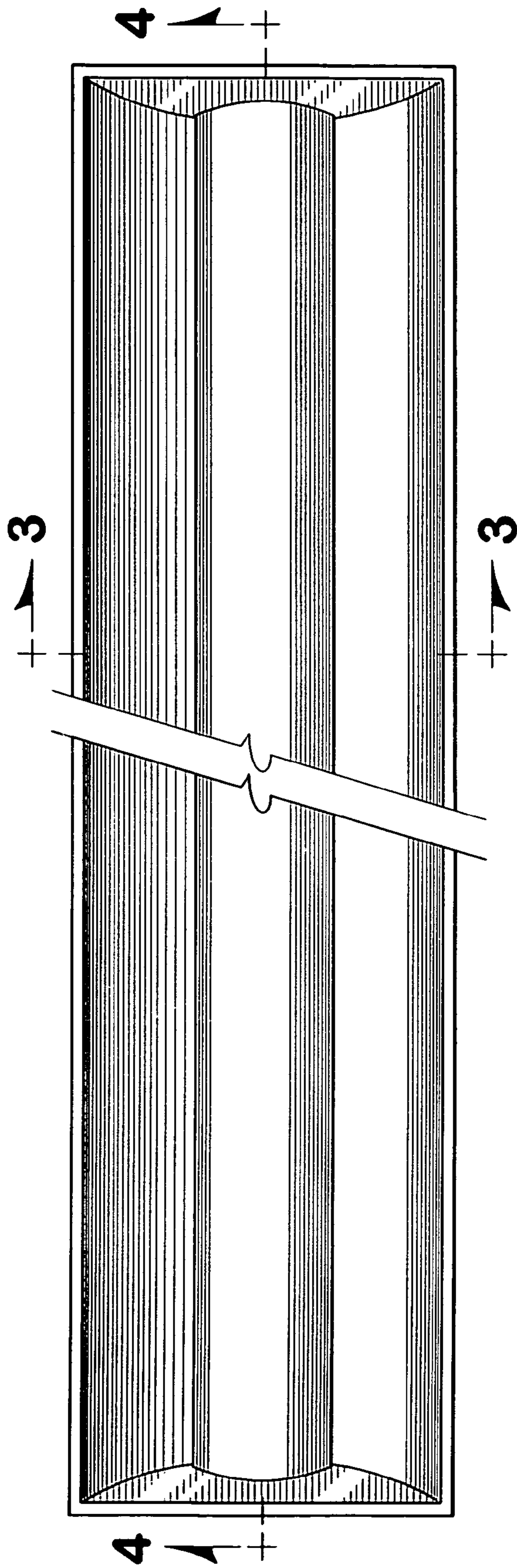


FIG 2

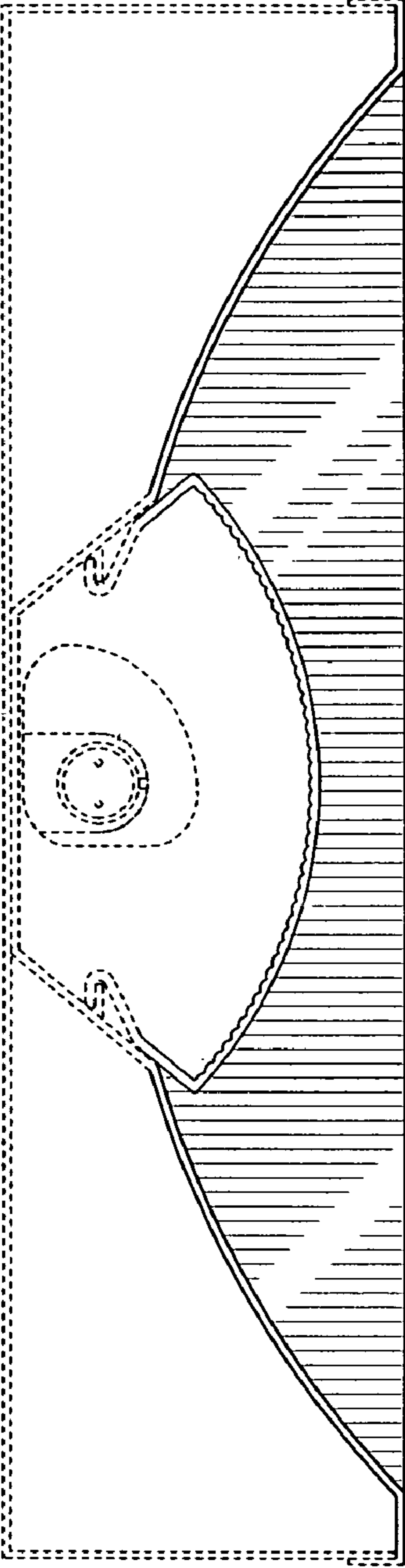


FIG 3

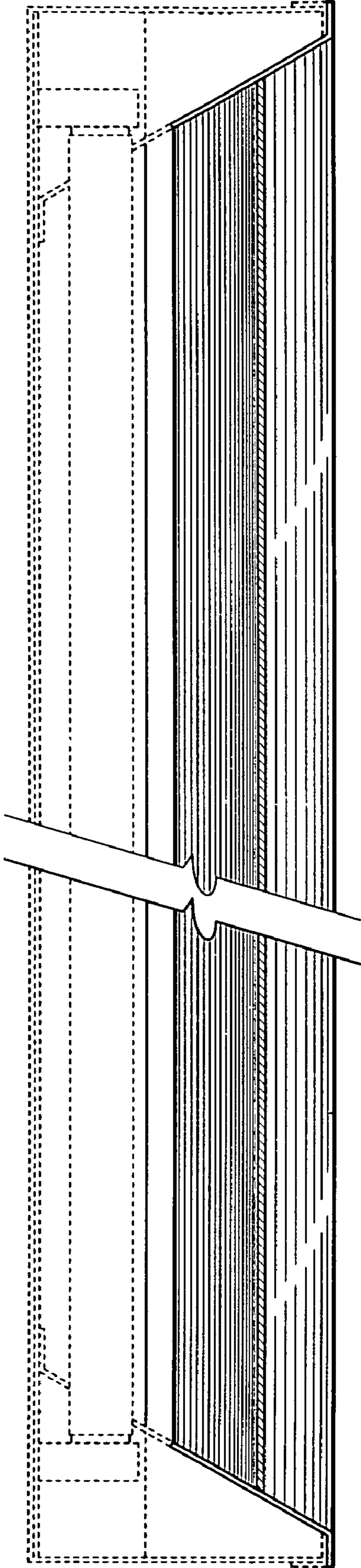


FIG 4