

US00D545480S

(12) **United States Design Patent**  
**Guercio**

(10) **Patent No.:** **US D545,480 S**

(45) **Date of Patent:** **\*\* Jun. 26, 2007**

(54) **GLARE STOPPER SHADE**

(75) Inventor: **Vincenzo Guercio**, Wallkill, NY (US)

(73) Assignee: **RAB Lighting, Inc.**, Northvale, NJ (US)

(\*\*) Term: **14 Years**

(21) Appl. No.: **29/215,436**

(22) Filed: **Oct. 19, 2004**

(51) **LOC (8) Cl.** ..... **26-99**

(52) **U.S. Cl.** ..... **D26/118**

(58) **Field of Classification Search** ..... D26/72,  
D26/85, 113, 118, 119, 121, 123, 124, 128,  
D26/137, 142; 362/257, 364, 327, 317, 347,  
362/326, 297, 217, 362, 368  
See application file for complete search history.

(56) **References Cited**

**U.S. PATENT DOCUMENTS**

D114,329 S *	4/1939	Gregg	.....	D26/86
D121,992 S *	8/1940	Griffith et al.	.....	D26/128
D124,018 S *	12/1940	Davis	.....	D26/86
D158,917 S *	6/1950	Wince	.....	D26/85
2,522,230 A *	9/1950	Komulaine	.....	362/341
2,701,840 A *	2/1955	Carlson	.....	362/368
2,732,484 A *	1/1956	Lipscomb	.....	362/218
2,857,508 A *	10/1958	Klugman	.....	362/364
D222,117 S *	9/1971	Baatz	.....	D25/102
3,636,339 A *	1/1972	Osborne, Jr.	.....	362/362
D265,765 S *	8/1982	Hawkins	.....	D26/85
D316,306 S *	4/1991	Shemitz	.....	D26/85
D383,243 S *	9/1997	Fry et al.	.....	D26/118
D384,761 S *	10/1997	Littman et al.	.....	D26/72
D425,237 S *	5/2000	Scott	.....	D26/118
D456,093 S *	4/2002	Rochon	.....	D26/72
D456,928 S *	5/2002	Russello et al.	.....	D26/85

D456,930 S *	5/2002	Russello et al.	.....	D26/85
D465,051 S *	10/2002	Willmorth	.....	D26/85
D467,026 S *	12/2002	Parker	.....	D26/118
D486,600 S *	2/2004	Coe	.....	D26/85
D487,529 S *	3/2004	Kowitz	.....	D26/85
D491,686 S *	6/2004	Citterio	.....	D26/72
D494,701 S *	8/2004	Campbell	.....	D26/85
D524,673 S *	7/2006	Dicke et al.	.....	D10/114

**FOREIGN PATENT DOCUMENTS**

TW 596397 6/2004

**OTHER PUBLICATIONS**

An English translated copy of an Official Letter from corresponding Taiwanese Patent Application No. 94302229, citing TW Publication No. 596397, filed Jun. 21, 2004.

\* cited by examiner

*Primary Examiner*—Freda S. Nunn

*Assistant Examiner*—Kevin K. Rudzinski

(74) *Attorney, Agent, or Firm*—Darby & Darby

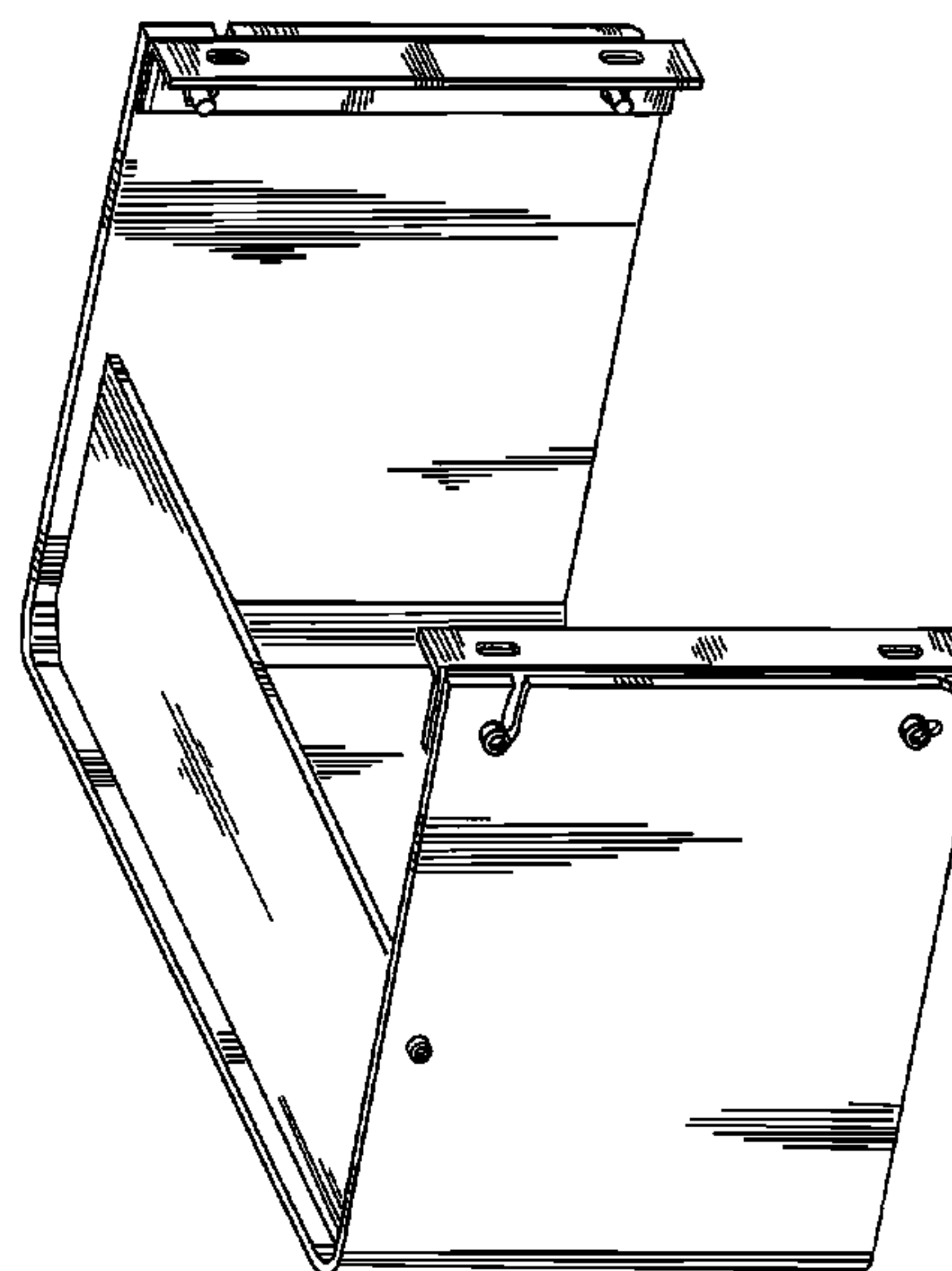
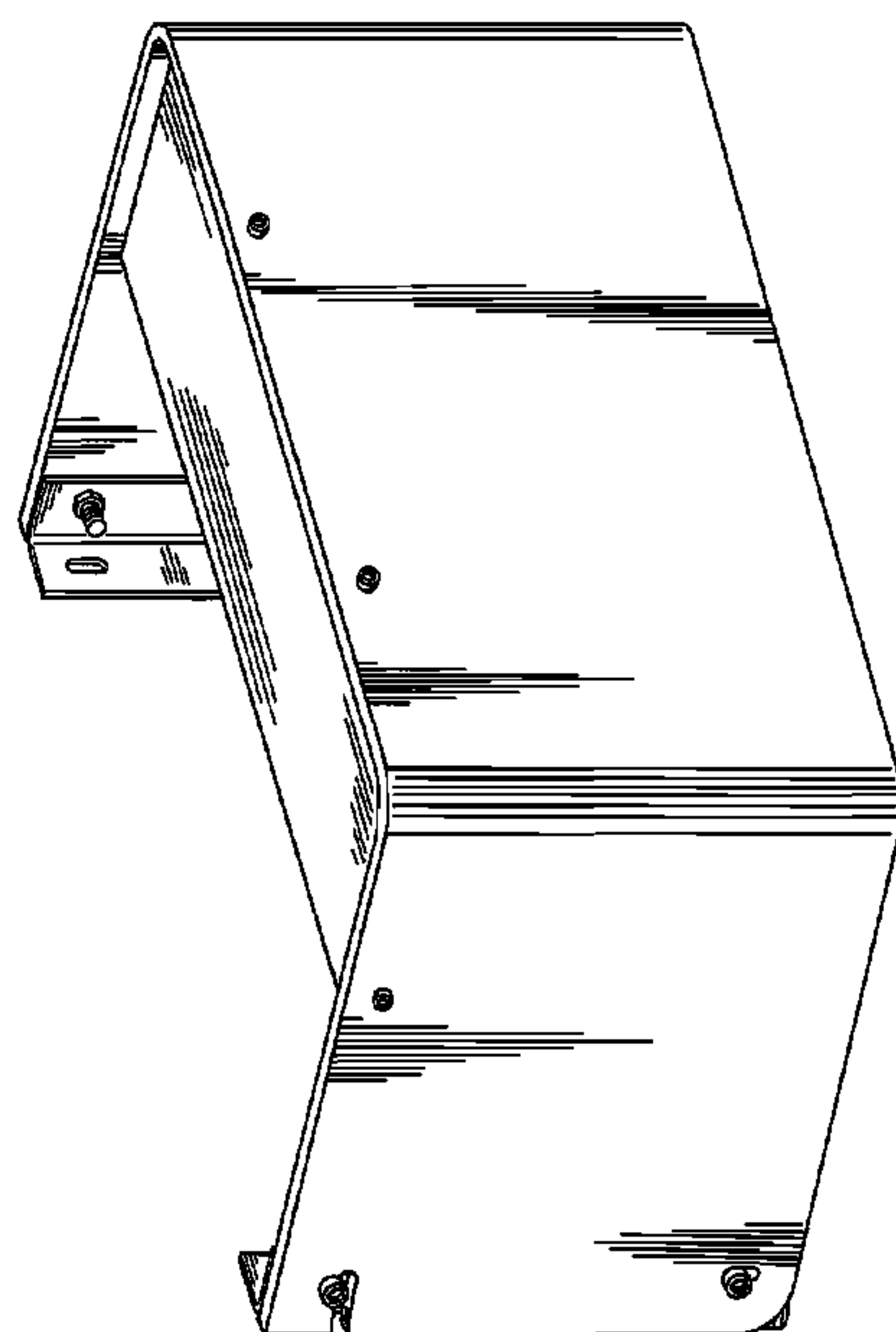
(57) **CLAIM**

The ornamental design for a glare stopper shade, as shown.

**DESCRIPTION**

FIG. 1 is a front perspective view of a glare stopper shade; FIG. 2 is a rear perspective view of the shade of FIG. 1; FIG. 3 is a front plan view of the shade of FIG. 1; FIG. 4 is a right side elevation view of the shade of FIG. 1; FIG. 5 is a rear elevation view of the shade of FIG. 1; FIG. 6 is a left side elevation view of the shade of FIG. 1; FIG. 7 is a top plan view of the shade of FIG. 1; and, FIG. 8 is a bottom plan view of the shade of FIG. 1.

**1 Claim, 7 Drawing Sheets**



**Figure 1**

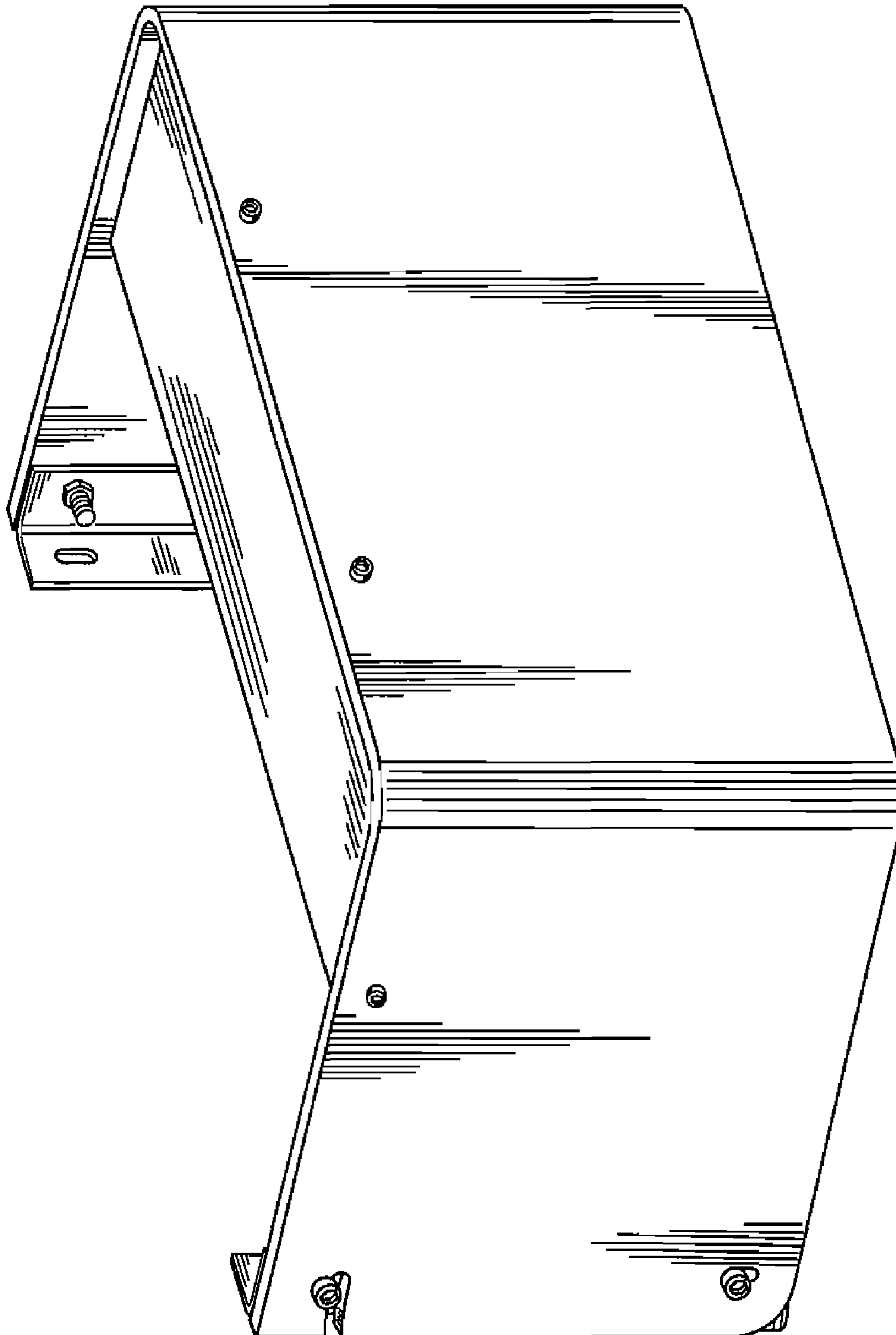
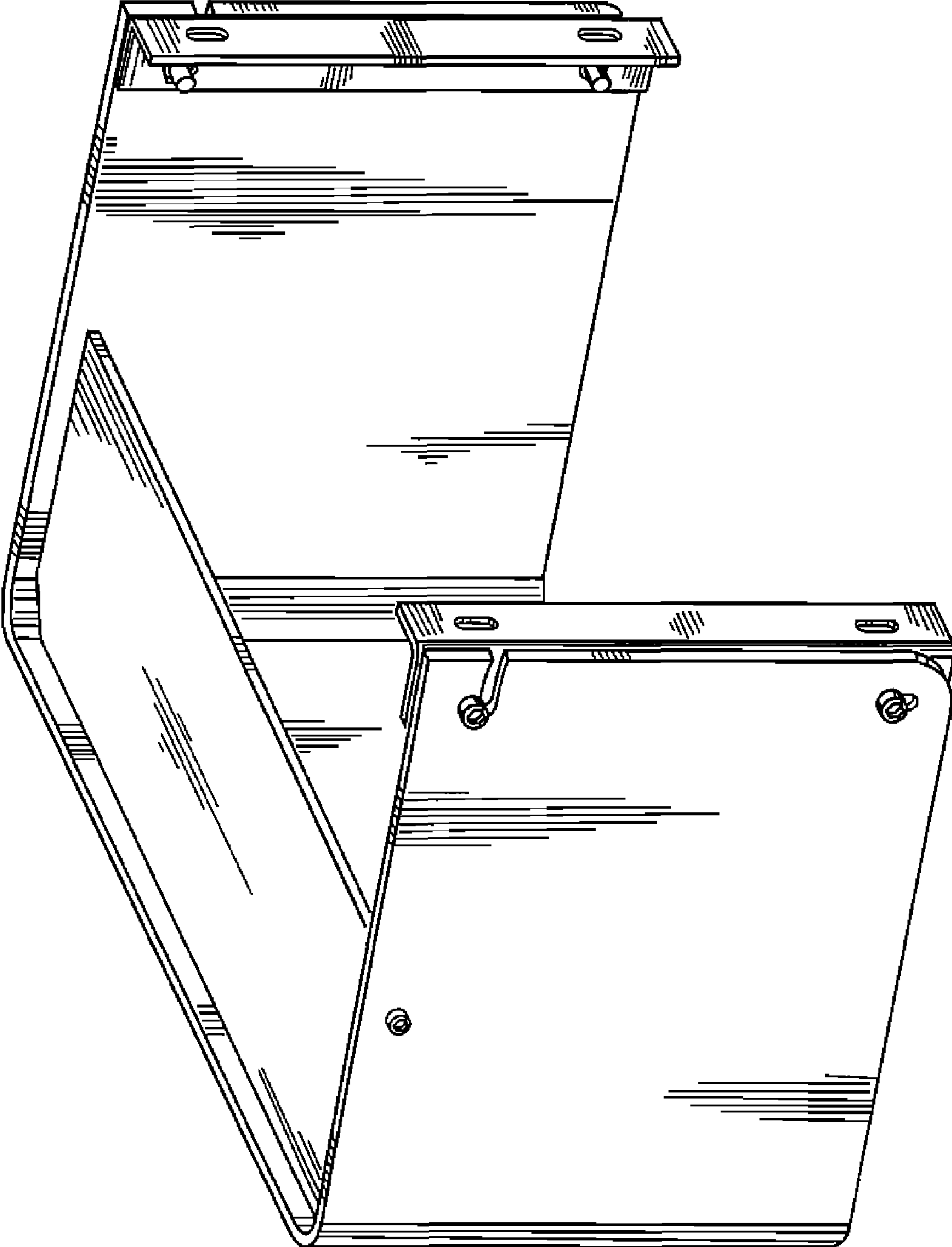
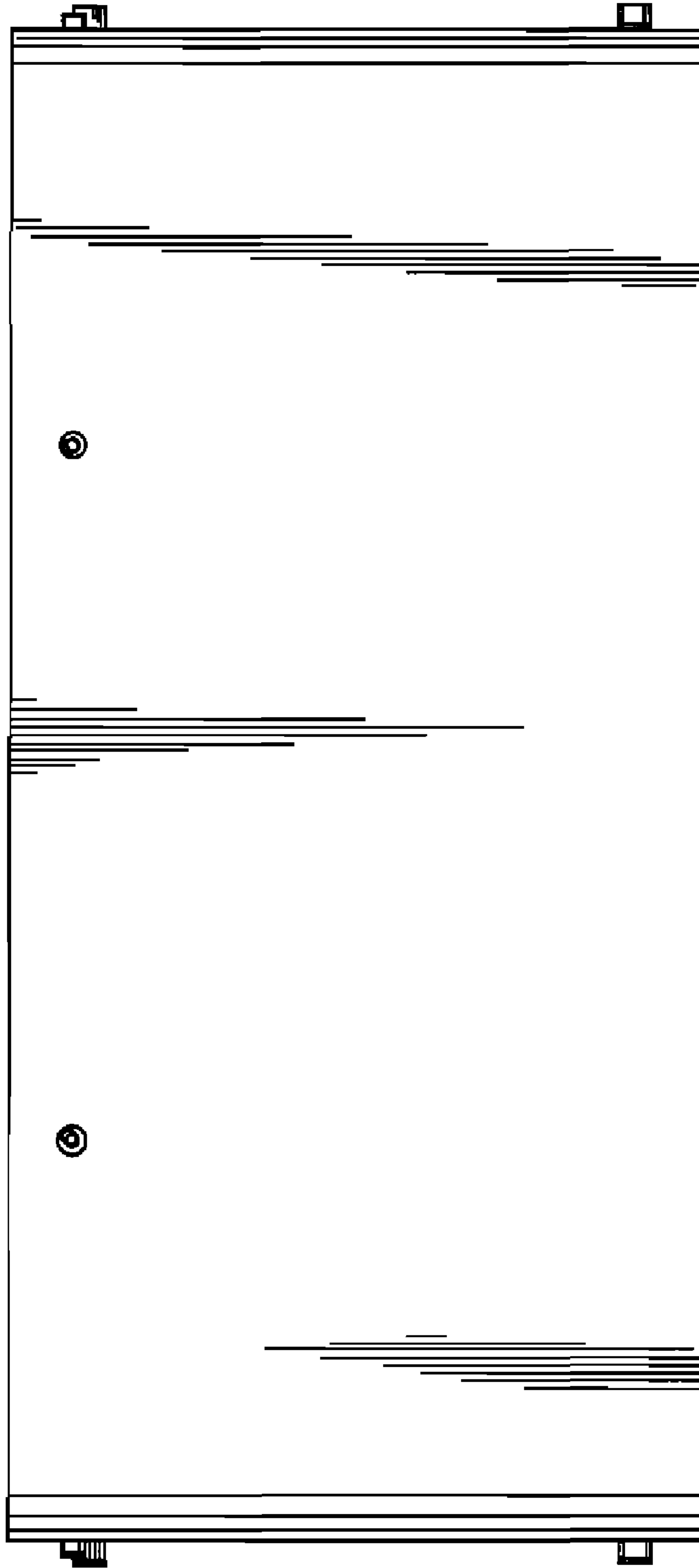


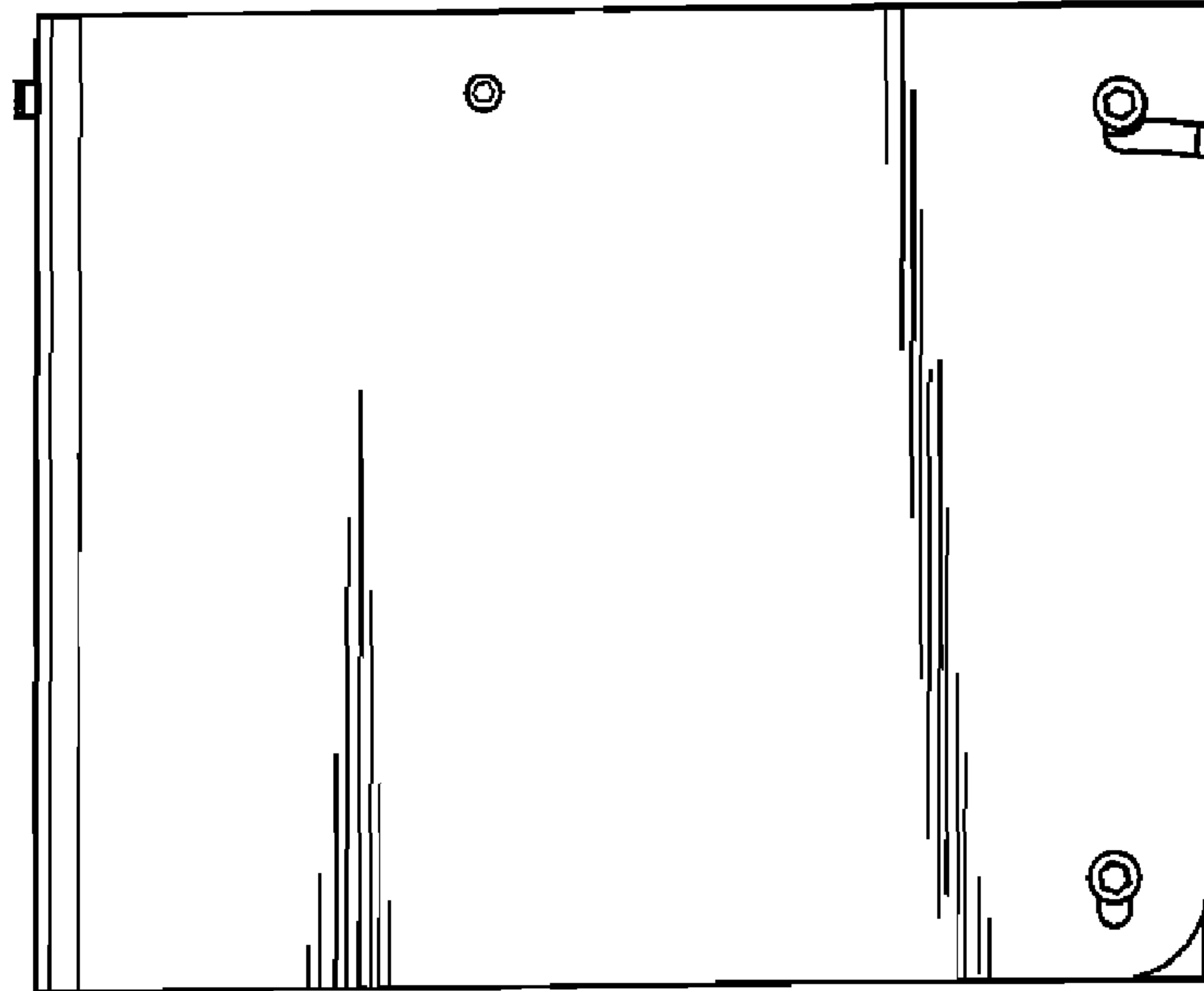
Figure 2



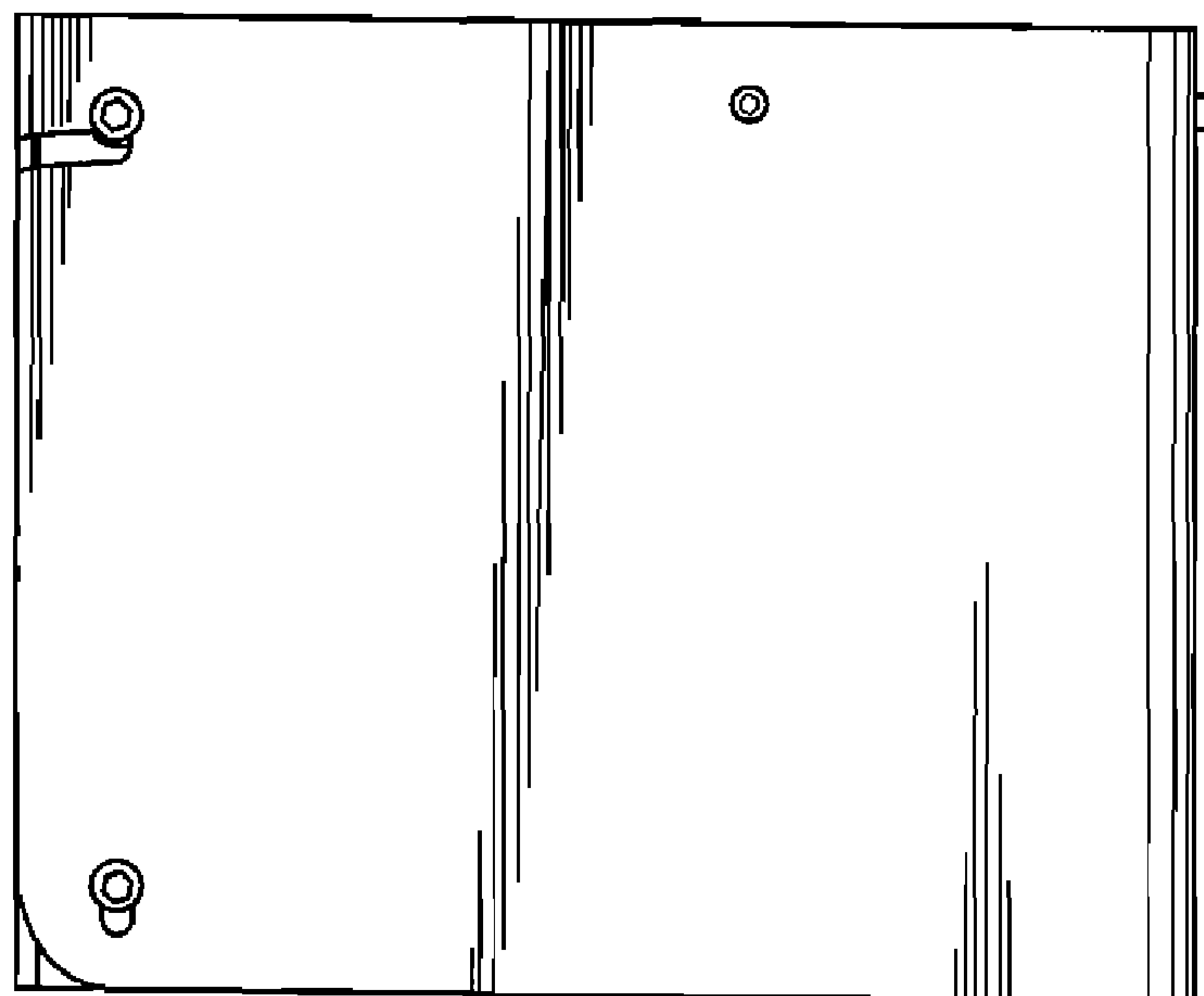
# Figure 3



**Figure 4**



**Figure 6**



**Figure 5**

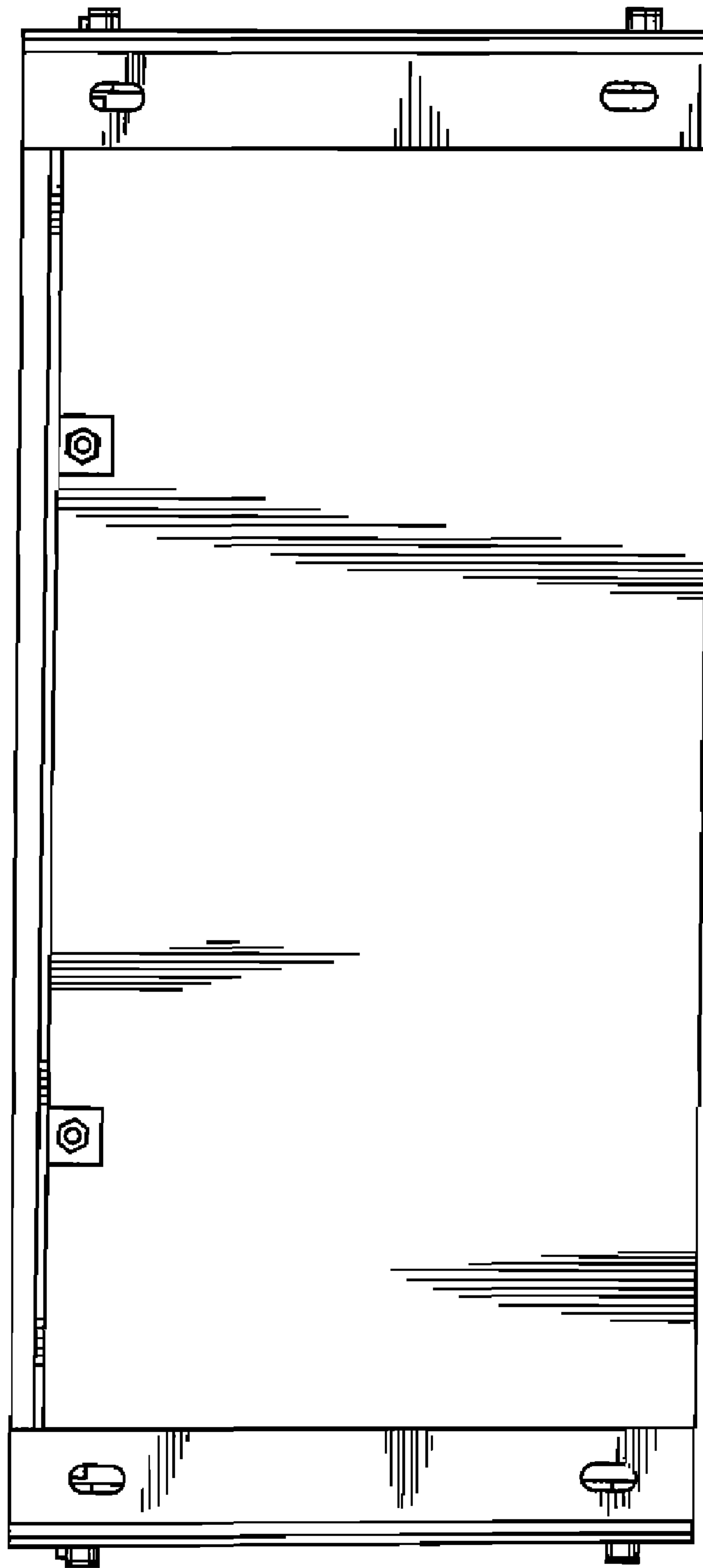


Figure 7

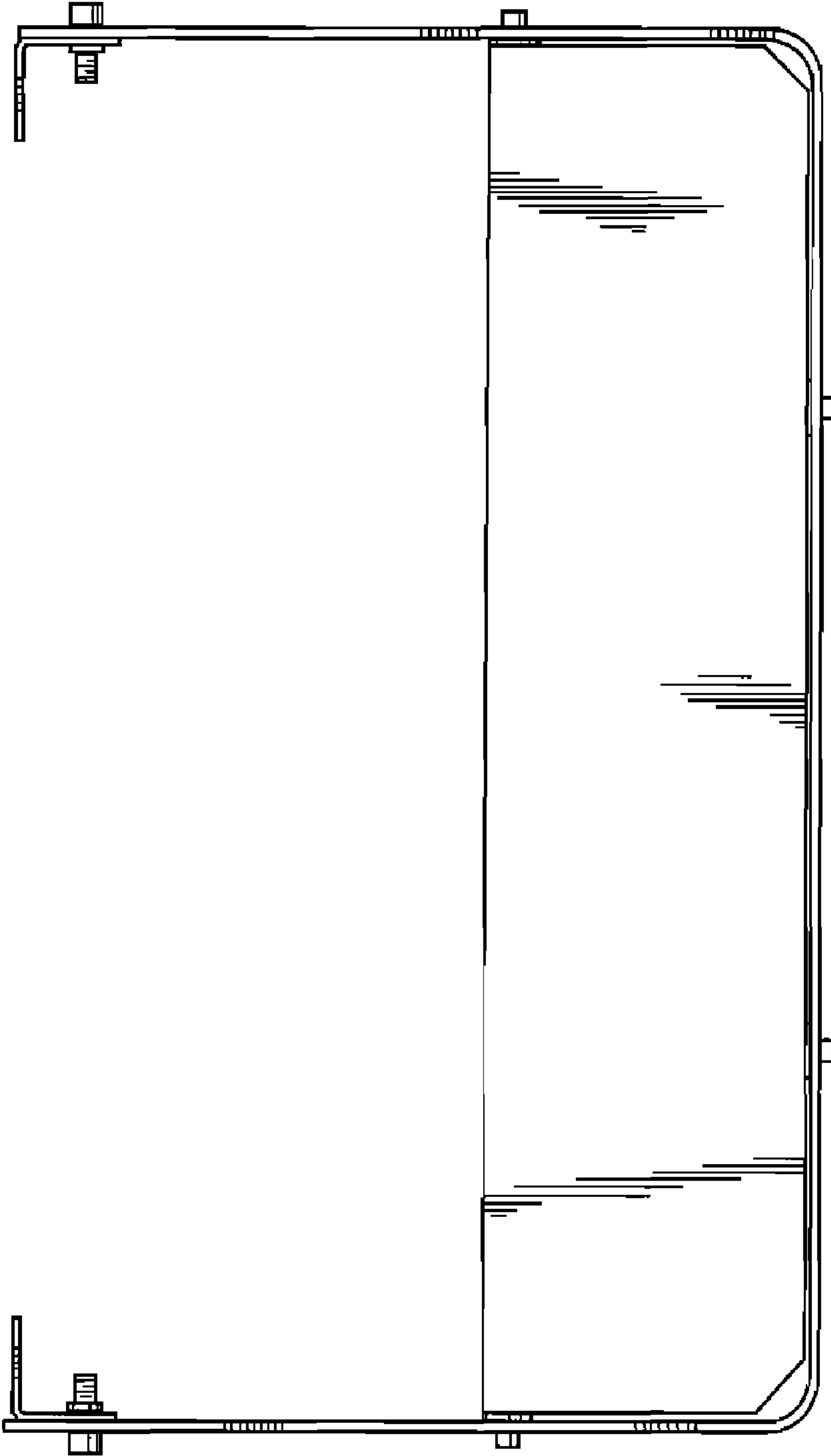


Figure 8

