



US00D545474S

(12) **United States Design Patent**  
**Nunes**

(10) **Patent No.:** **US D545,474 S**

(45) **Date of Patent:** **\*\* Jun. 26, 2007**

(54) **WALL LAMP**

(75) Inventor: **Brendon Nunes, Ajax (CA)**

(73) Assignee: **Trintec Industries, Inc., Ajax, Ontario (CA)**

(\*\*) Term: **14 Years**

(21) Appl. No.: **29/242,559**

(22) Filed: **Nov. 14, 2005**

(51) **LOC (8) Cl.** ..... **26-05**

(52) **U.S. Cl.** ..... **D26/73; D26/92**

(58) **Field of Classification Search** ..... D26/4,  
D26/26, 57, 73, 94, 97, 101, 92, 87; 362/147,  
362/644, 653, 806, 812  
See application file for complete search history.

(56) **References Cited**

**U.S. PATENT DOCUMENTS**

D212,441 S *	10/1968	Espinoza	.....	D26/73
D307,040 S *	4/1990	Helalian	.....	D21/466
D315,185 S *	3/1991	Maloney	.....	D21/702
D324,925 S *	3/1992	Locklear et al.	.....	D26/94
5,124,899 A	6/1992	Hale		
D327,928 S *	7/1992	Cochran	.....	D21/703
D330,059 S *	10/1992	McGivern et al.	.....	D21/703
5,305,998 A *	4/1994	Nesbit et al.	.....	473/481
D354,231 S	1/1995	Nunes		
D364,354 S	11/1995	Nunes		
D373,628 S	9/1996	DiSandro		
D376,442 S *	12/1996	Locklear et al.	.....	D26/94

5,677,896 A	10/1997	Nunes		
D386,258 S *	11/1997	Pearce et al.	.....	D23/377
5,833,558 A	11/1998	Pettle		
D406,378 S *	3/1999	Walters et al.	.....	D26/94
D420,733 S	2/2000	Chen		
D448,513 S	9/2001	Sehl		
D488,883 S	4/2004	Davis		

\* cited by examiner

*Primary Examiner*—Clare E Heflin

(57) **CLAIM**

The ornamental design for a wall lamp, as shown and described.

**DESCRIPTION**

FIG. 1 is a front perspective view of a wall lamp showing my new design;

FIG. 2 is a rear perspective view thereof;

FIG. 3 is a right side elevational view thereof, the left side elevational view being substantially a mirror image;

FIG. 4 is a front elevational view thereof;

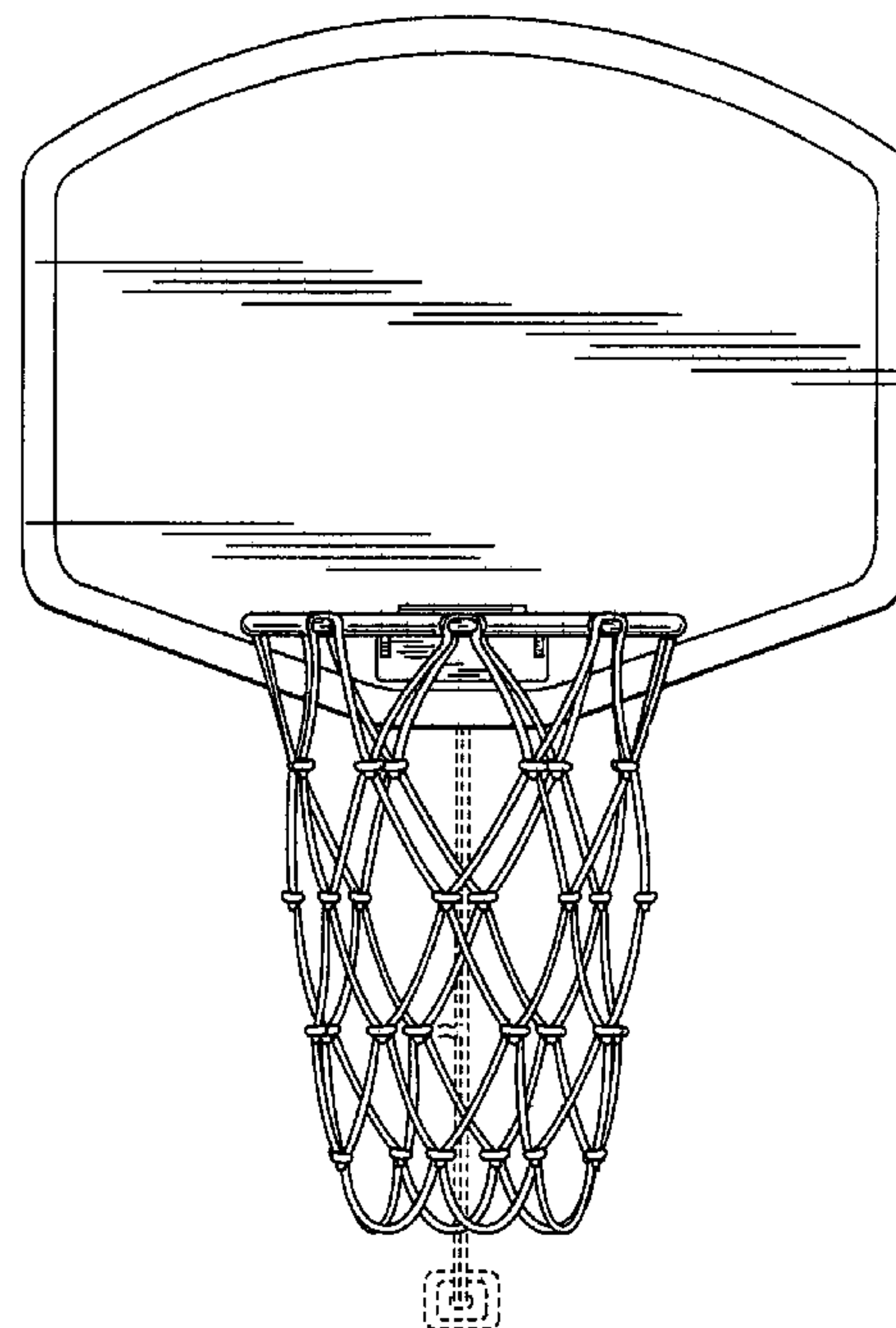
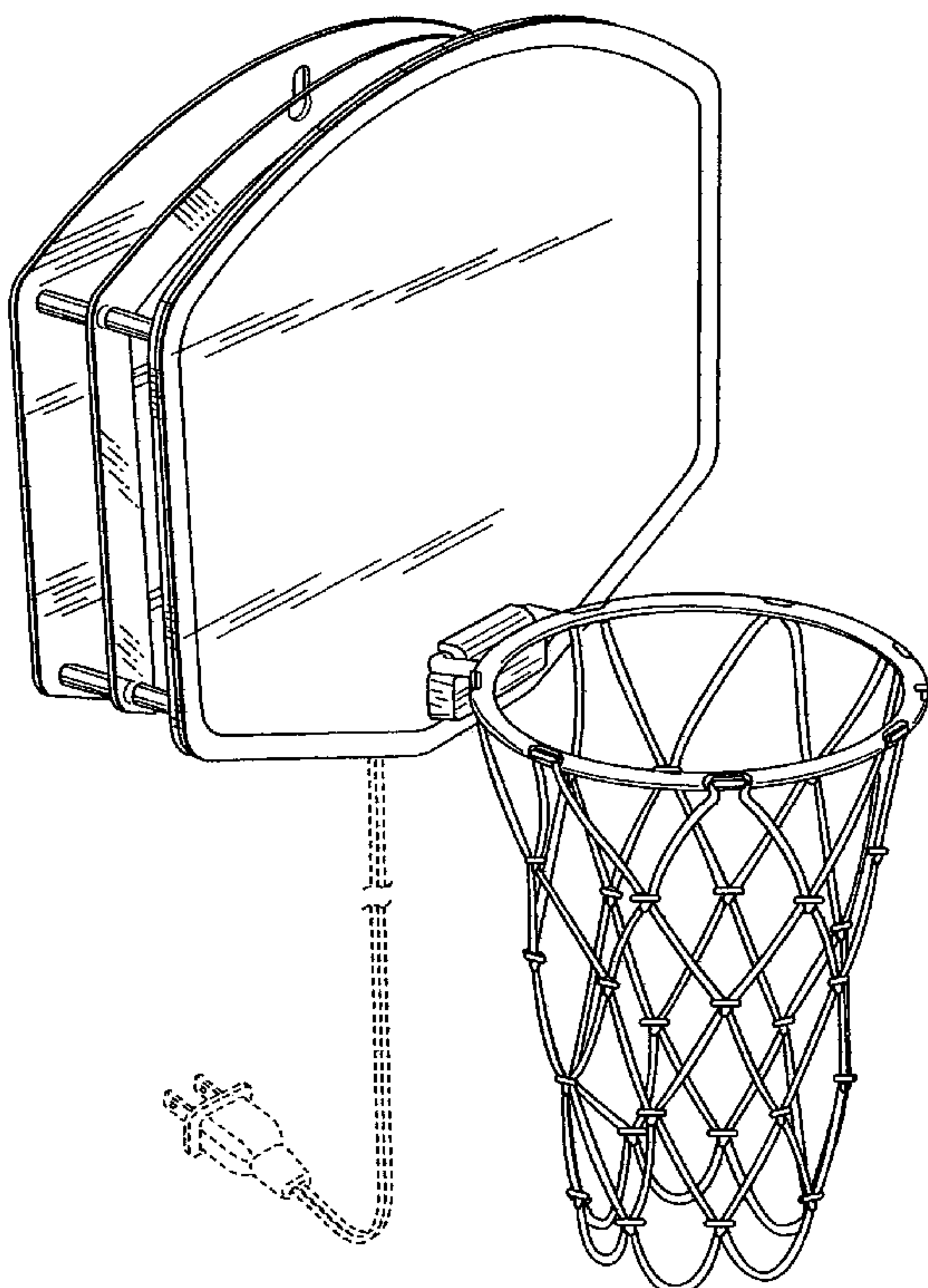
FIG. 5 is a rear elevational view thereof;

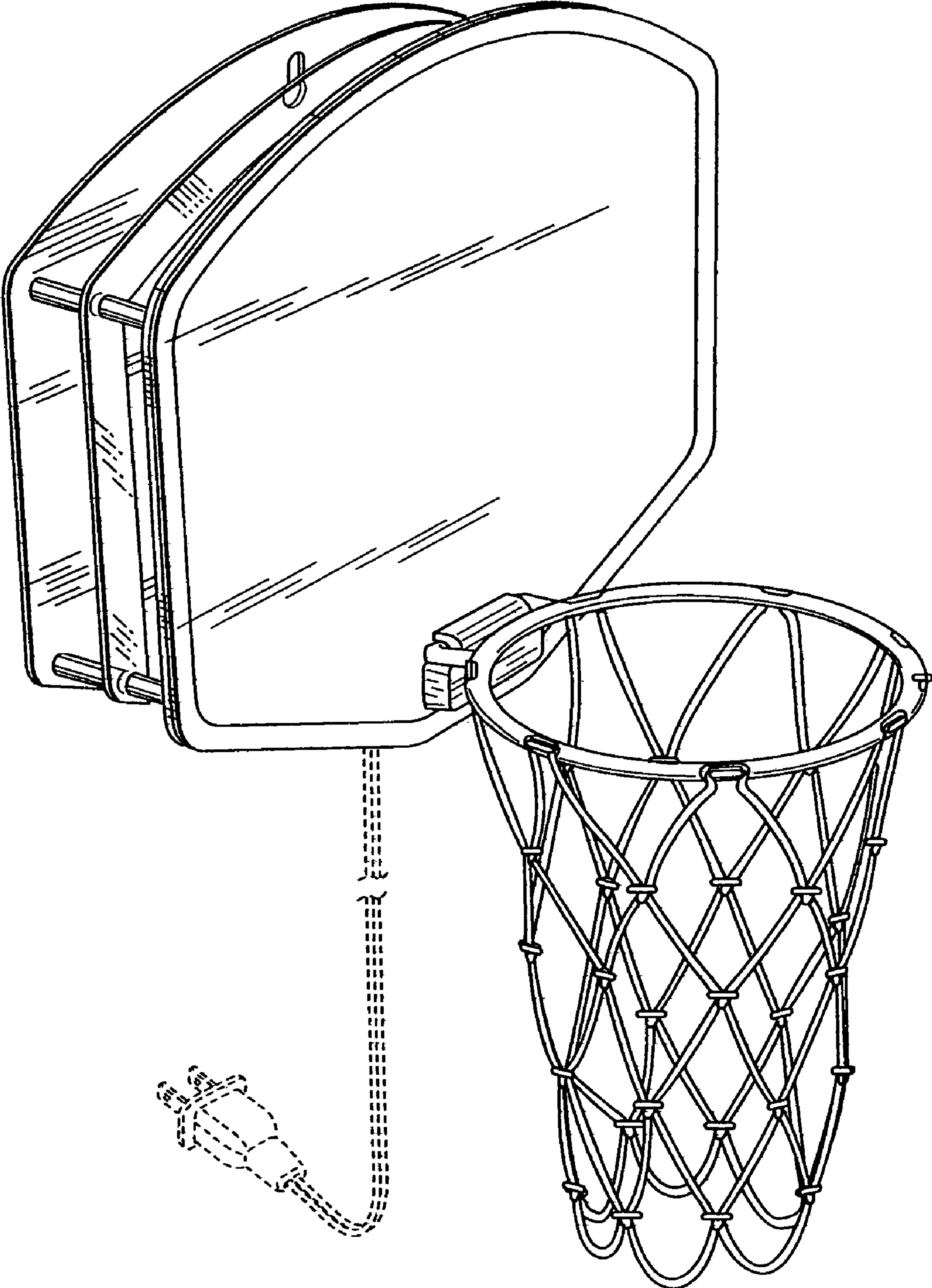
FIG. 6 is a top plan view thereof; and,

FIG. 7 is a bottom plan view thereof.

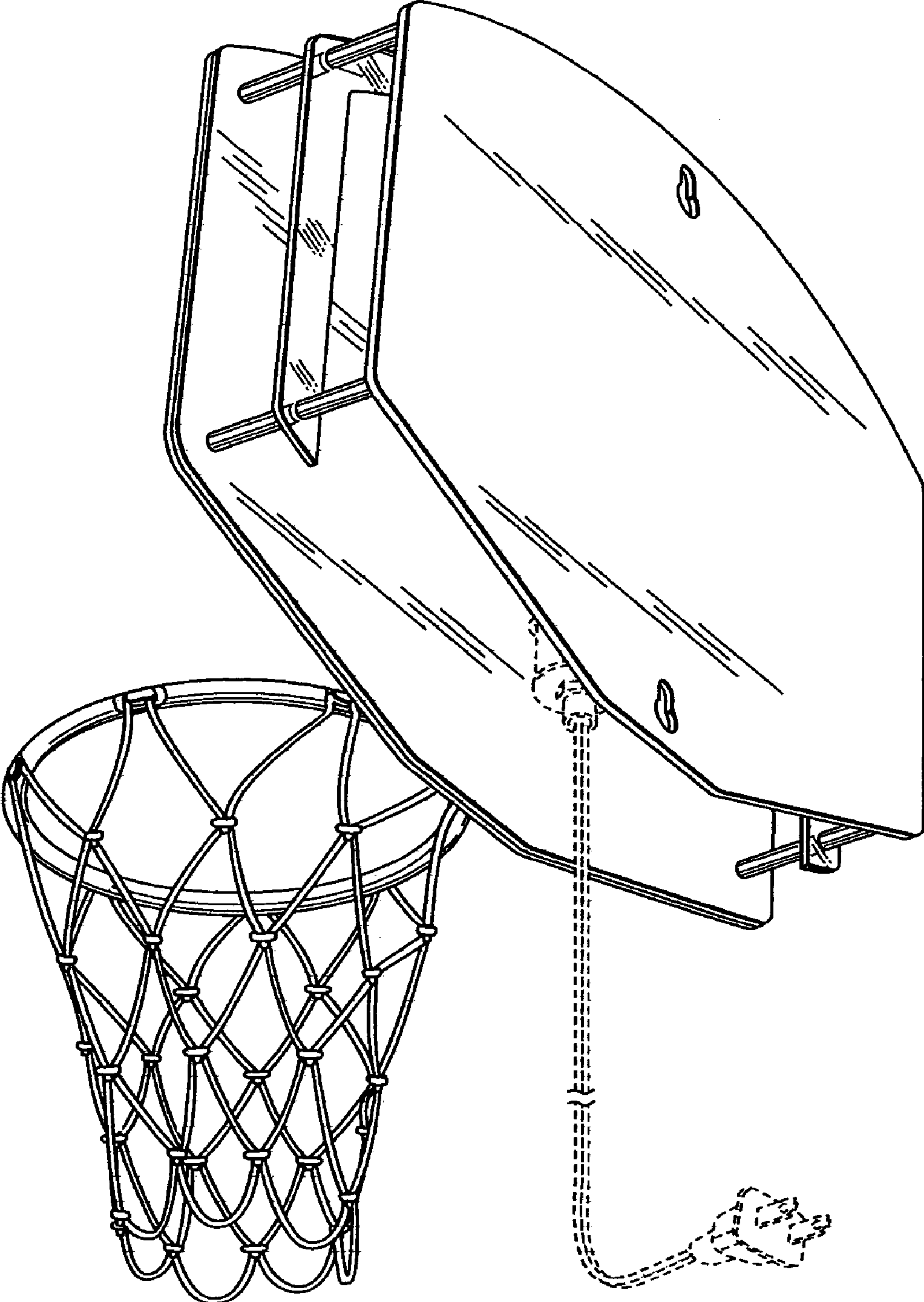
The portions of the drawings provided by broken line are intended to reflect environment and do not form a part of the indicated embodiment of my design.

**1 Claim, 5 Drawing Sheets**



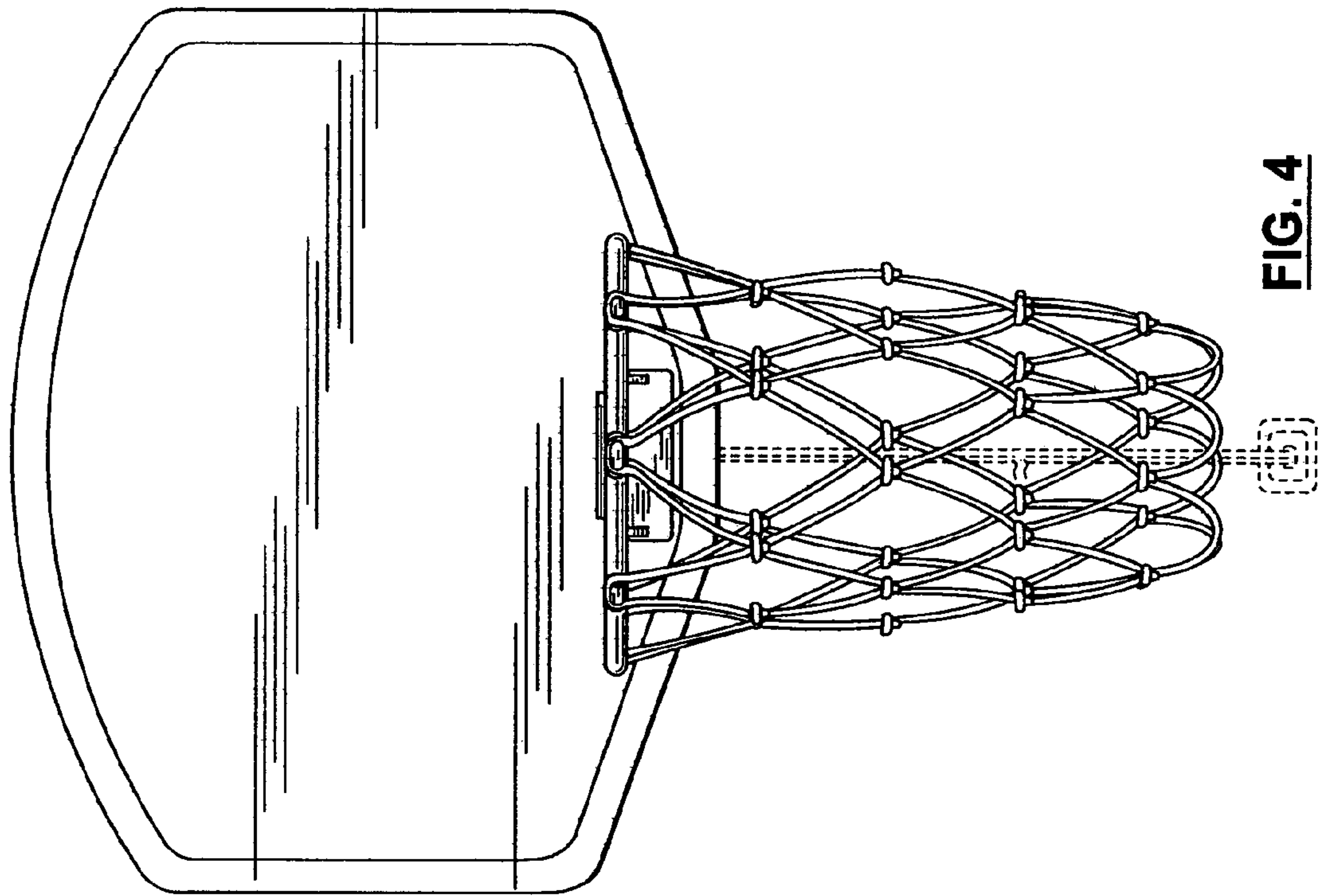


**FIG. 1**

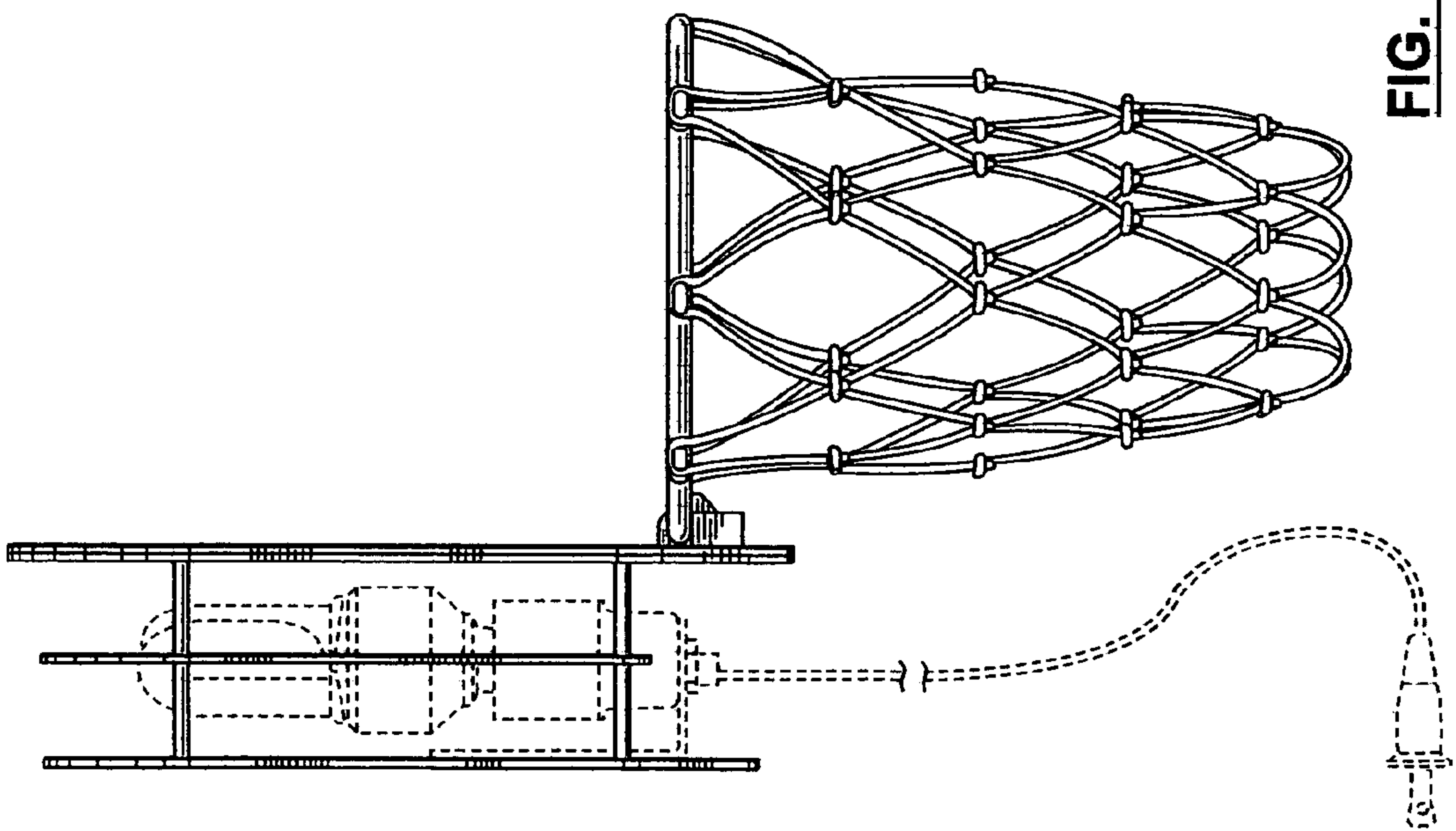


**FIG. 2**

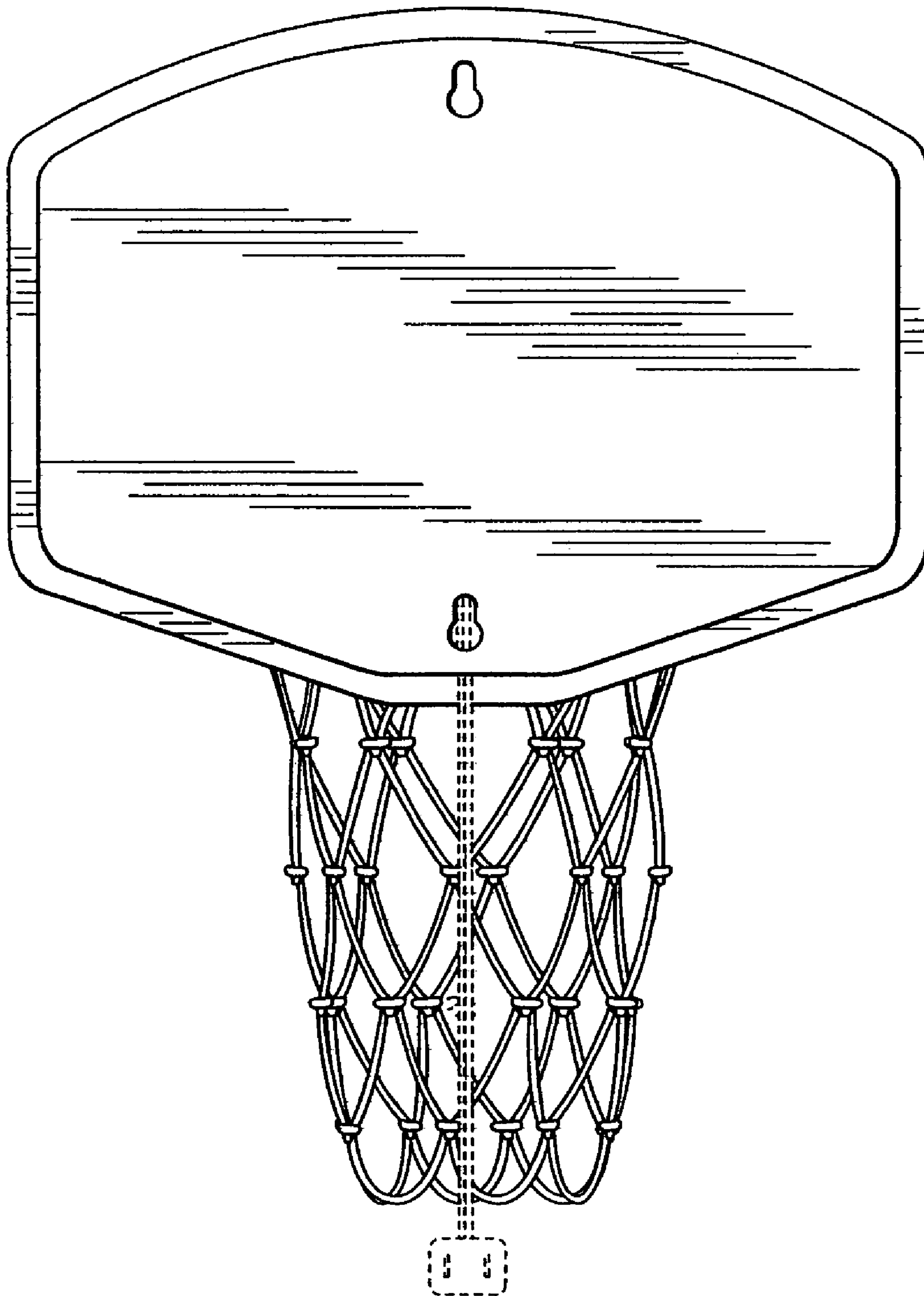




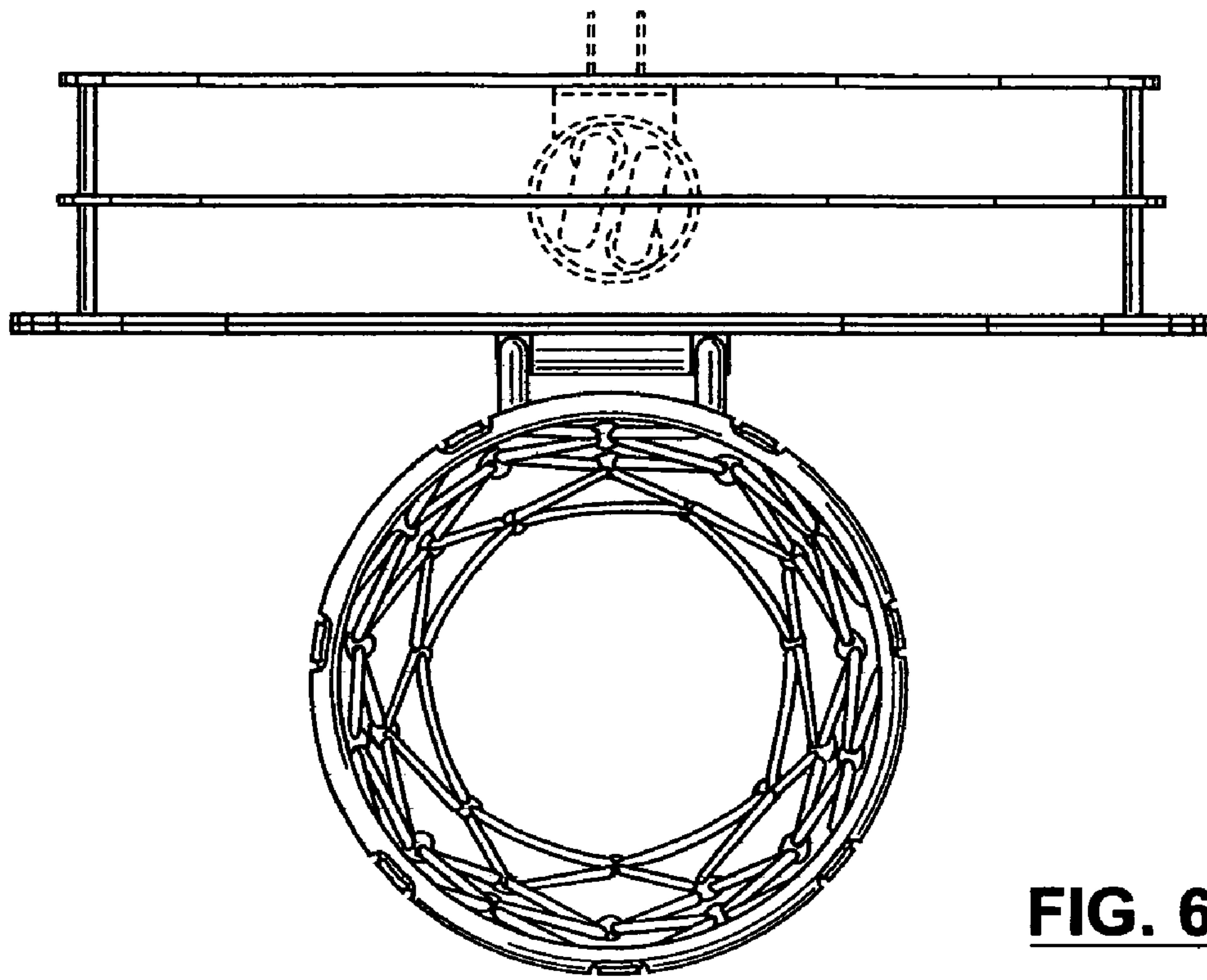
**FIG. 4**



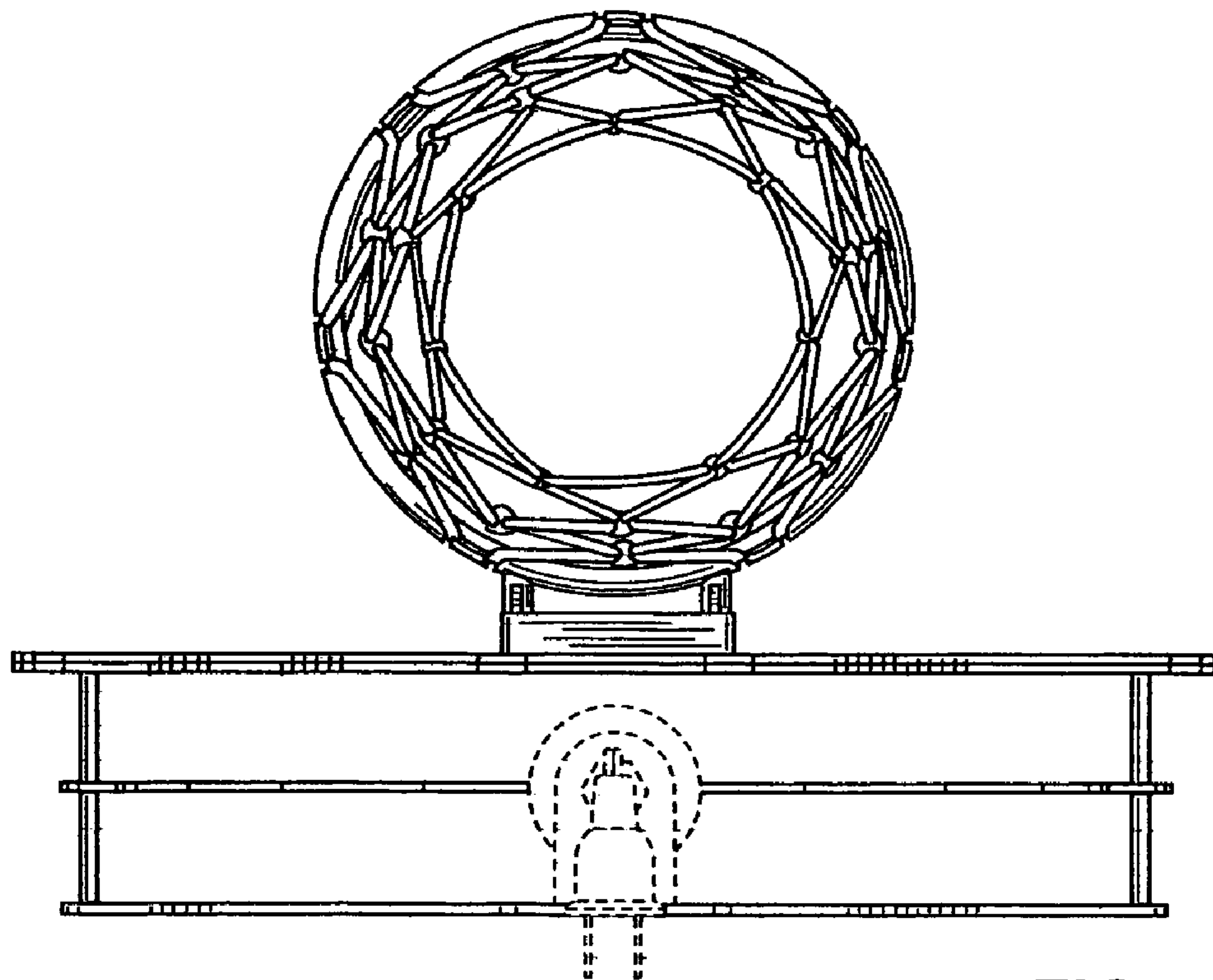
**FIG. 3**



**FIG. 5**



**FIG. 6**



**FIG. 7**