

US00D545473S

(12) **United States Design Patent**  
**Nunes**

(10) **Patent No.:** **US D545,473 S**  
(45) **Date of Patent:** **\*\* Jun. 26, 2007**

(54) **DUMP TRUCK-SIMULATING LIGHTING  
FIXTURE**

(75) Inventor: **Brendon Nunes**, Ajax (CA)

(73) Assignee: **Trintec Industries, Inc.**, Ajax, Ontario  
(CA)

(\*\*) Term: **14 Years**

(21) Appl. No.: **29/236,914**

(22) Filed: **Aug. 24, 2005**

(51) **LOC (8) Cl.** ..... **26-05**

(52) **U.S. Cl.** ..... **D26/73; D26/97**

(58) **Field of Classification Search** ..... D26/4,  
D26/26, 57, 73, 94, 97, 101; 362/147, 644,  
362/653, 806, 812

See application file for complete search history.

(56) **References Cited**

**U.S. PATENT DOCUMENTS**

D152,390 S	*	1/1949	Brenner	.....	D26/97
D287,058 S	*	12/1986	Silverman	.....	D26/47
D289,069 S		3/1987	Ohno		
D308,113 S	*	5/1990	Lewis, Jr.	.....	D26/73
D356,654 S	*	3/1995	Chiang	.....	D26/97
D481,153 S		10/2003	Wilson		
D488,883 S		4/2004	Davis		
D493,561 S	*	7/2004	Sehl	.....	D26/97

**OTHER PUBLICATIONS**

Mighty Wheels Heavy Truck, kidconnection, box panel.  
Norscot Scale Models Brochure, selected page.

\* cited by examiner

*Primary Examiner*—Clare E Heflin

(57) **CLAIM**

The ornamental design for a dump truck-simulating lighting fixture, as shown and described.

**DESCRIPTION**

FIG. 1 is a top-side perspective view of a dump truck-simulating lighting fixture showing my new design;

FIG. 2 is a bottom-side perspective view of the opposite side shown in FIG. 1;

FIG. 3 is a front elevational view thereof;

FIG. 4 is a left side elevational view thereof;

FIG. 5 is a rear elevational view thereof;

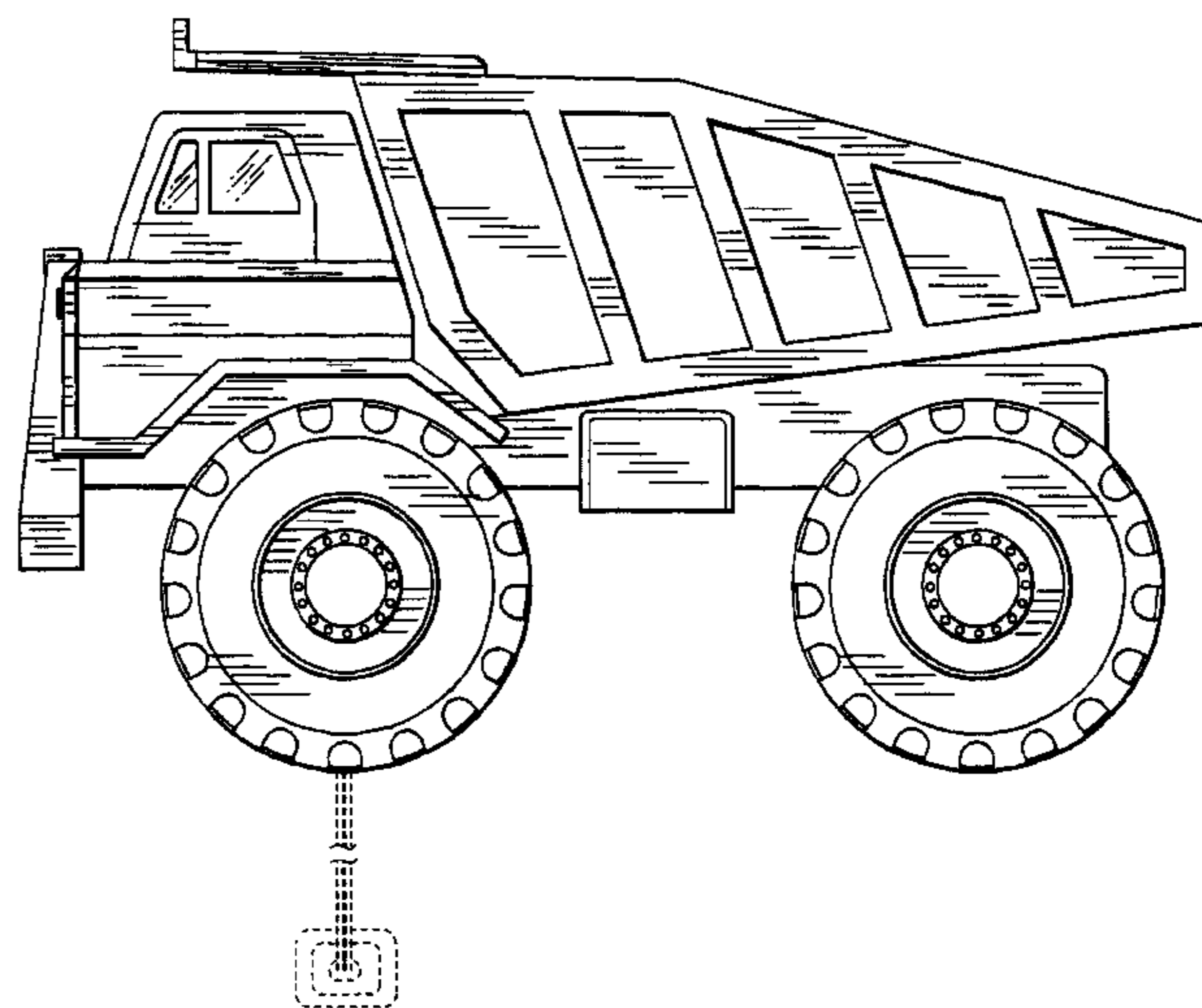
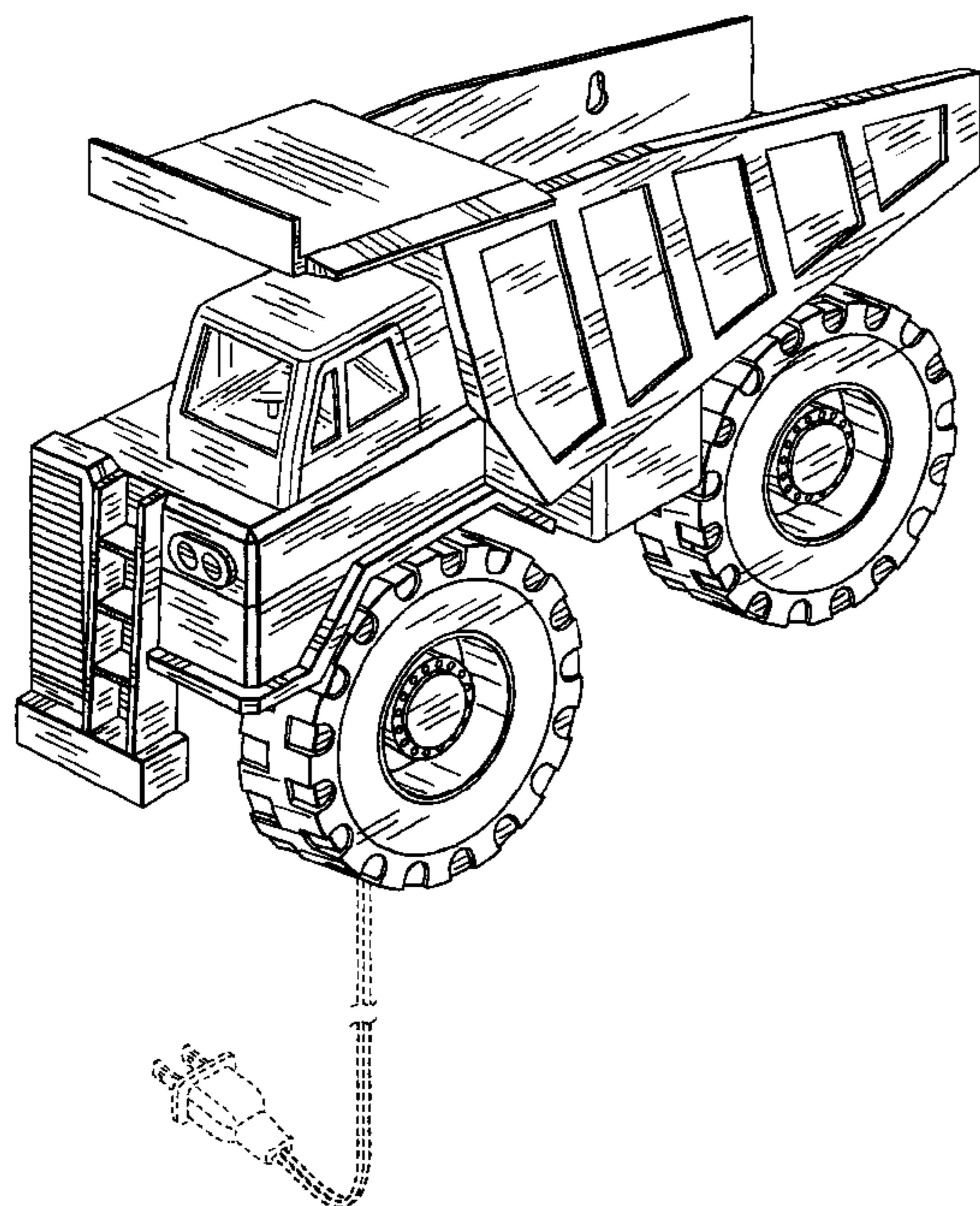
FIG. 6 is a right side elevational view thereof;

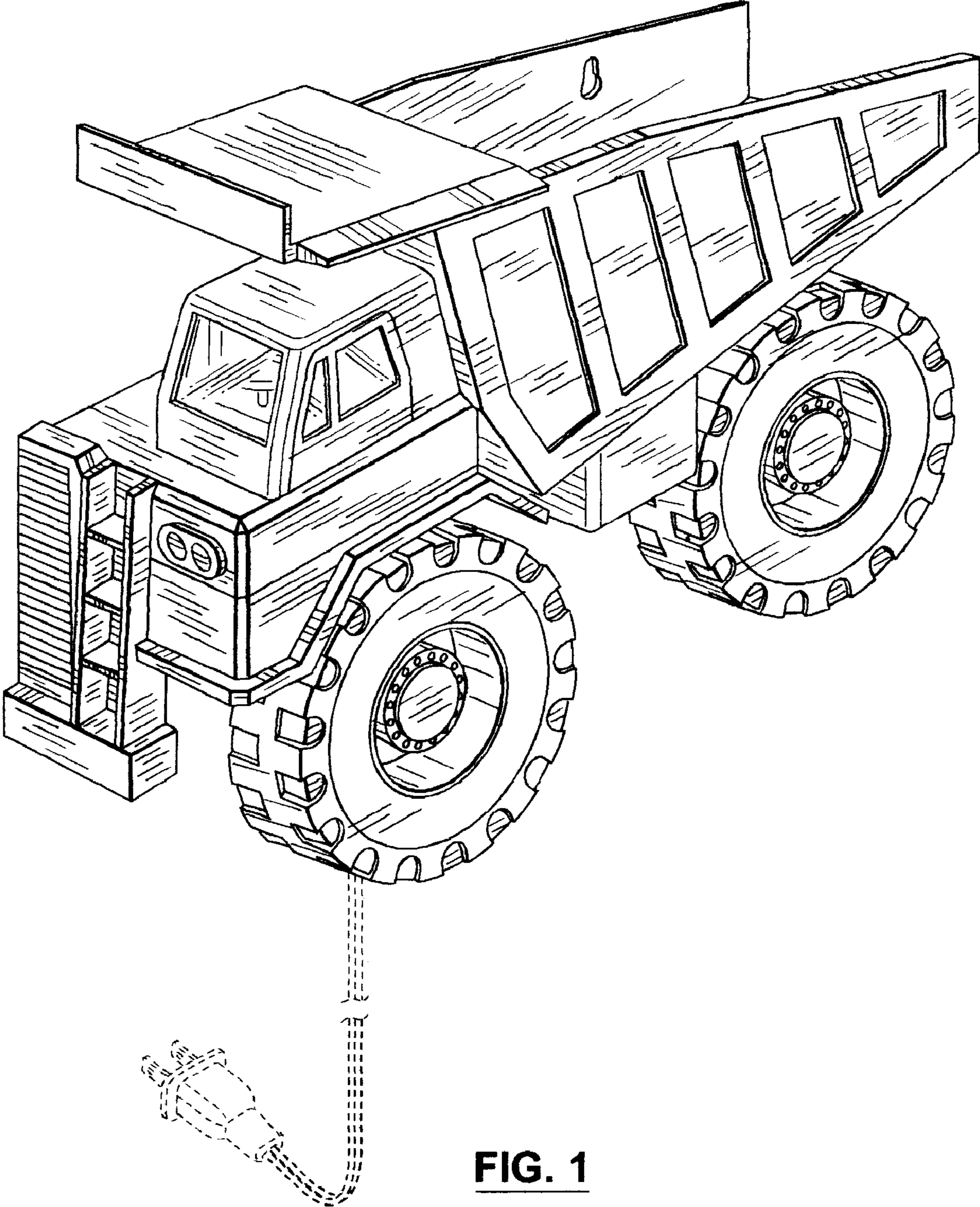
FIG. 7 is a top plan view thereof; and,

FIG. 8 is a bottom plan view thereof.

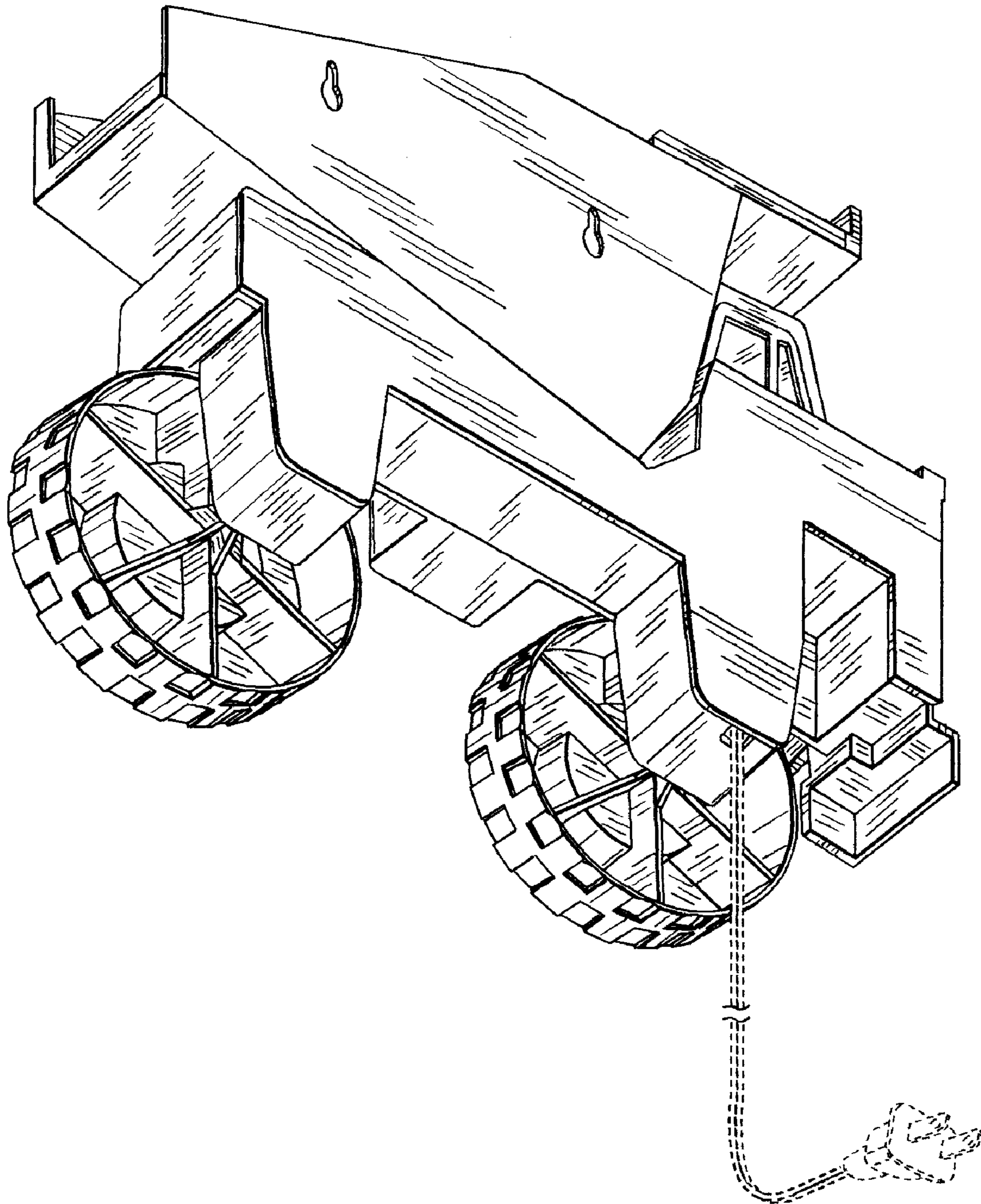
The portions of the drawings provided by broken line are intended to reflect environment, and do not form a part of the indicated embodiment of my design.

**1 Claim, 6 Drawing Sheets**

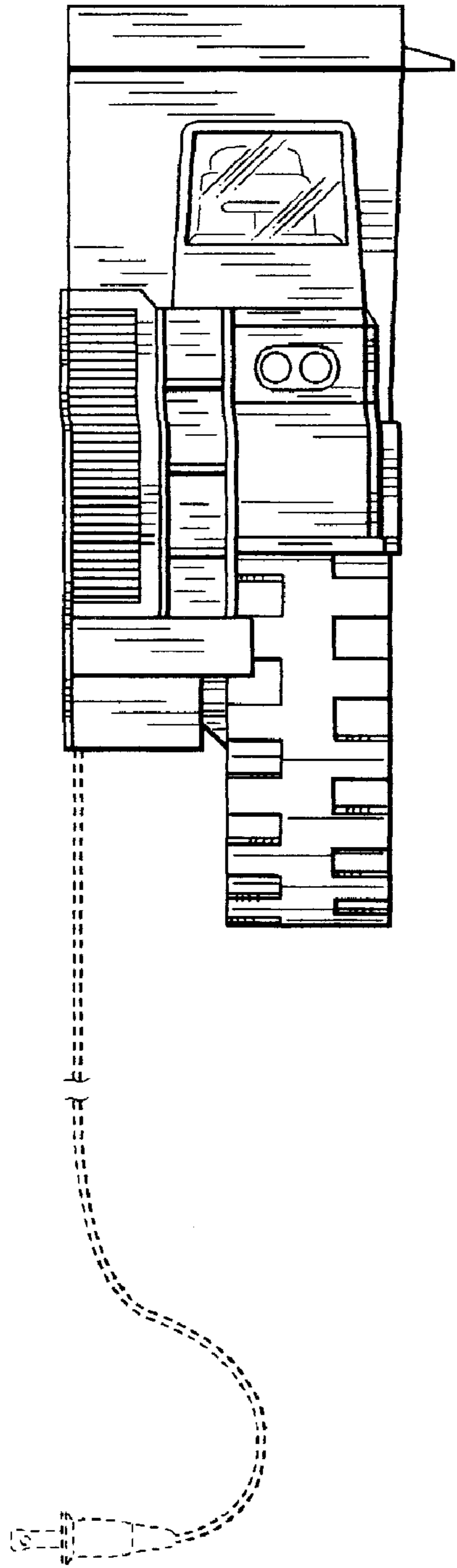




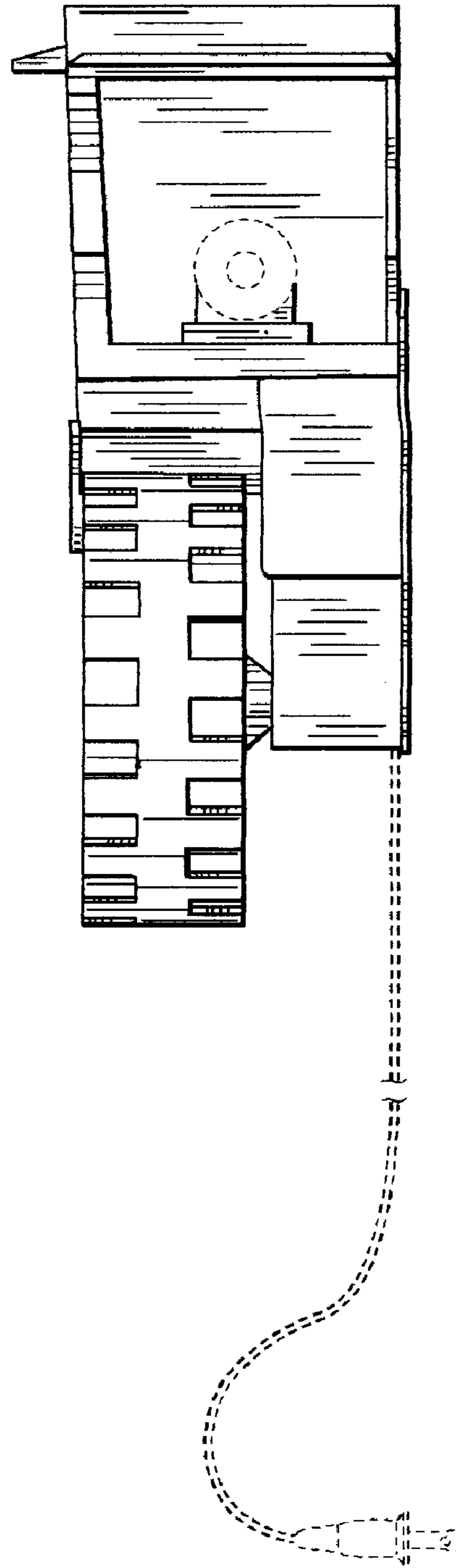
**FIG. 1**



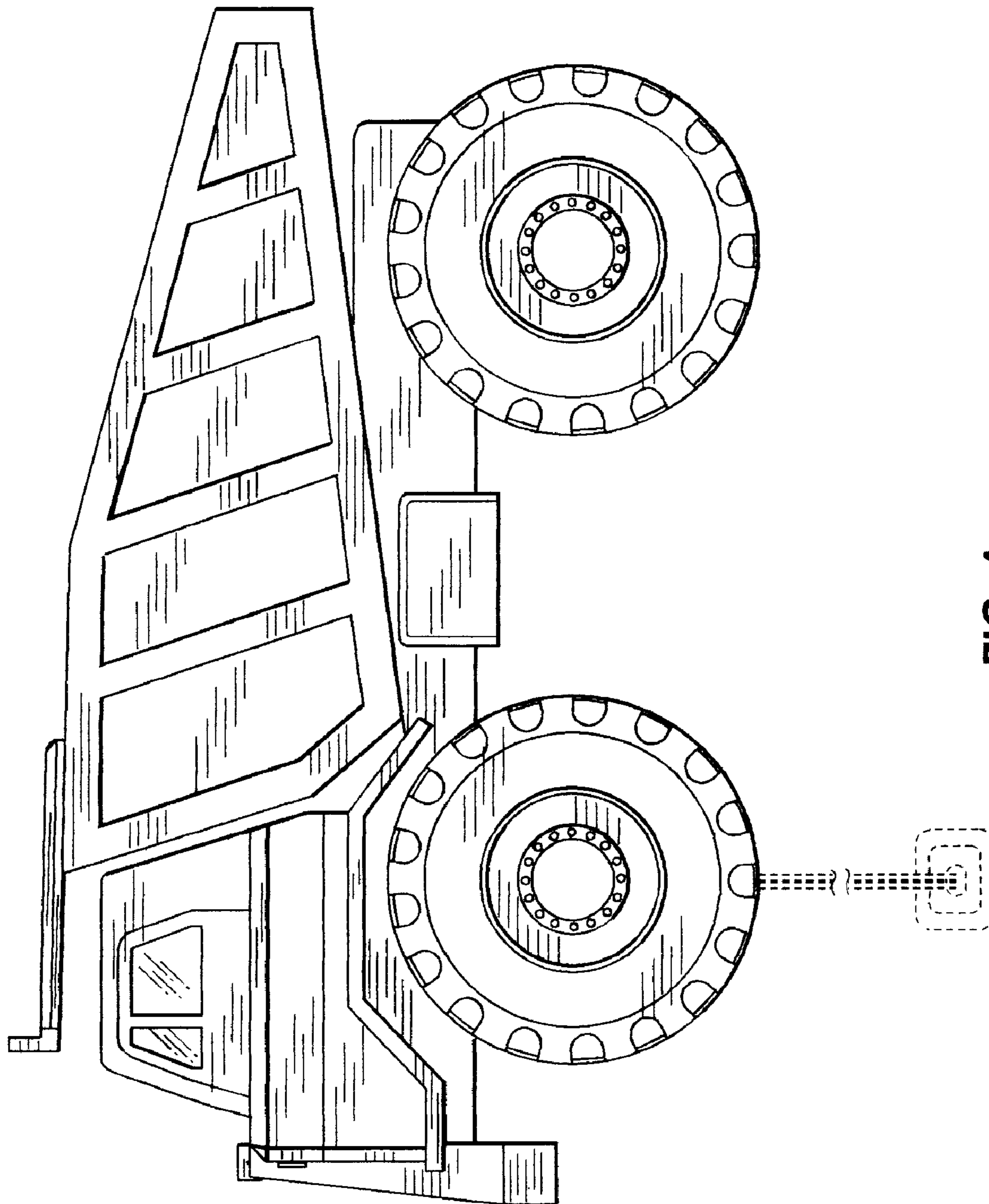
**FIG. 2**



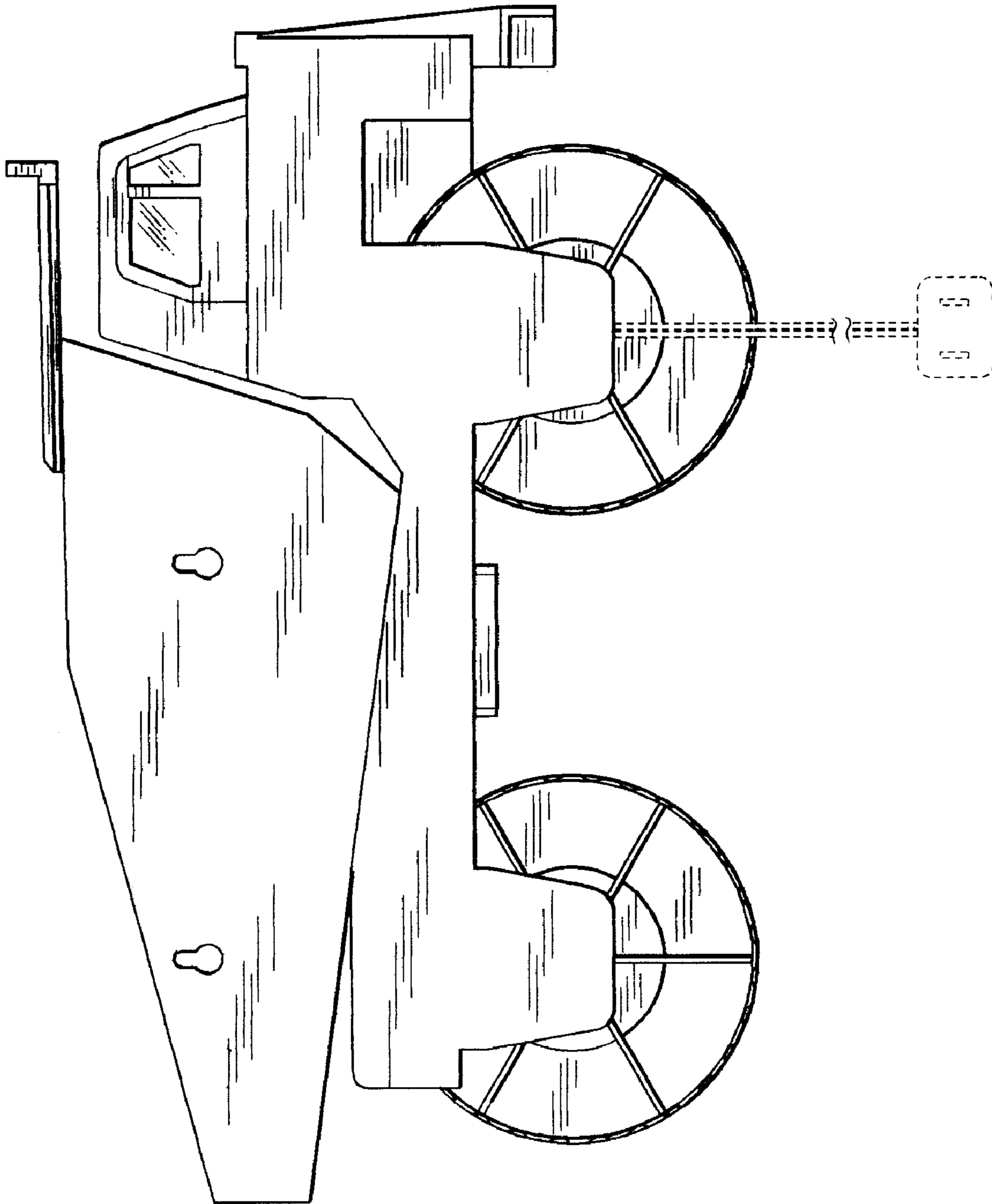
**FIG. 3**



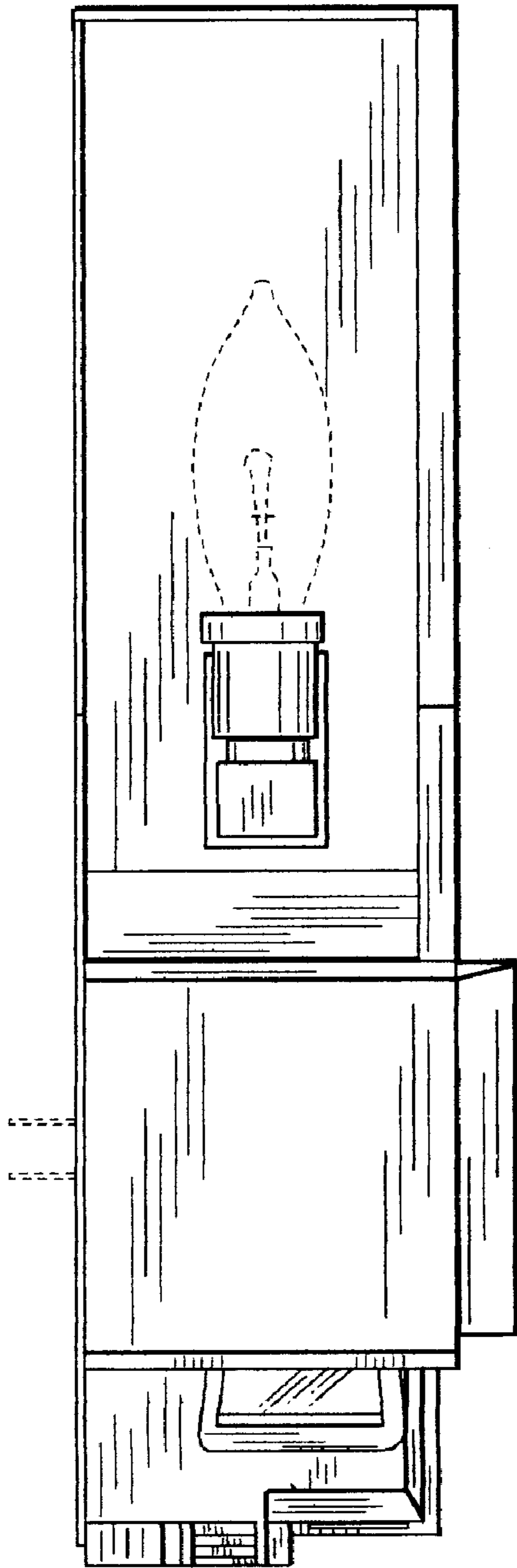
**FIG. 5**



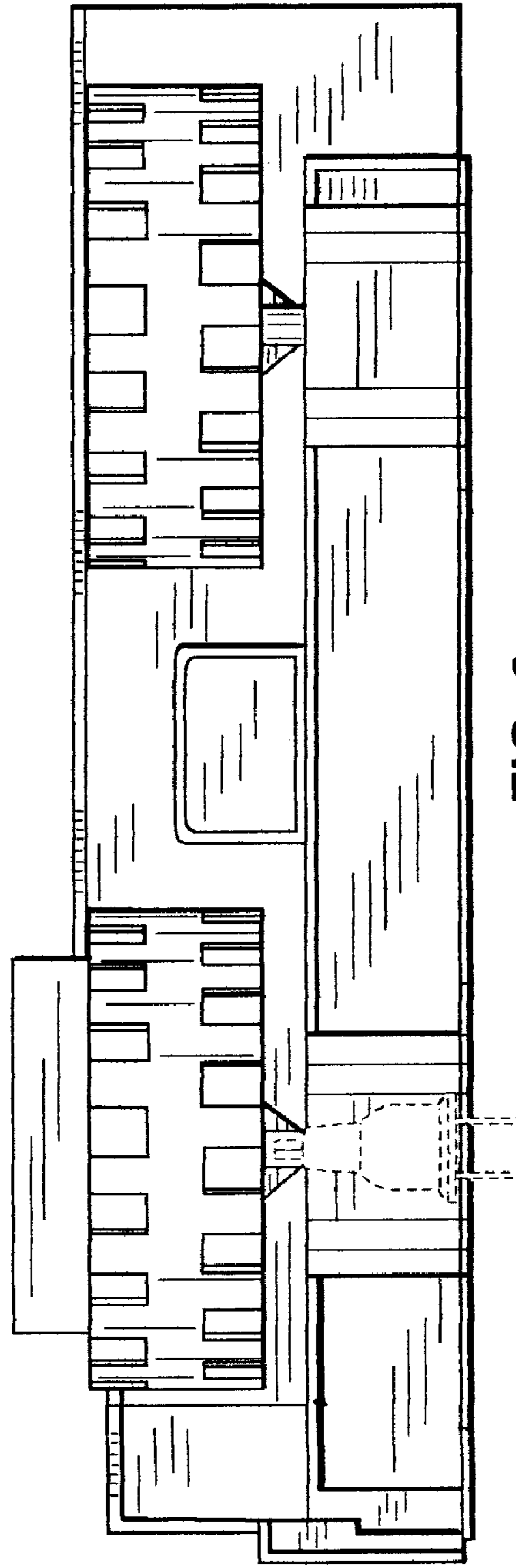
**FIG. 4**



**FIG. 6**



**FIG. 7**



**FIG. 8**