



US00D545470S

(12) **United States Design Patent**
Devany et al.

(10) **Patent No.:** **US D545,470 S**

(45) **Date of Patent:** **** Jun. 26, 2007**

(54) **EMERGENCY FLASHLIGHT**

(75) Inventors: **John Devany**, Mountain Top, PA (US);
Matthew Malcolm, Mountain Top, PA
(US); **Mark Dirsa**, Shavertown, PA
(US)

(73) Assignee: **Koehler-Bright Star, Inc.**, Hanover
Township, PA (US)

(**) Term: **14 Years**

(21) Appl. No.: **29/240,467**

(22) Filed: **Oct. 14, 2005**

(51) **LOC (8) Cl.** **26-02**

(52) **U.S. Cl.** **D26/46**

(58) **Field of Classification Search** D26/37-50;
362/157, 158, 171-174, 183-208

See application file for complete search history.

(56) **References Cited**

U.S. PATENT DOCUMENTS

D430,323 S	*	8/2000	Yuen	D26/46
D443,708 S	*	6/2001	Lynch et al.	D26/46
D508,579 S	*	8/2005	Kim et al.	D26/46
D520,165 S	*	5/2006	Yuen	D26/46

* cited by examiner

Primary Examiner—Marcus A. Jackson

(74) *Attorney, Agent, or Firm*—DLA Piper US LLP;
Thomas W. Ryan

(57) **CLAIM**

The ornamental design for an emergency flashlight, substantially as shown and described.

DESCRIPTION

FIG. 1 is a perspective view of an emergency flashlight according to the invention;

FIG. 2 is a front elevational view of an emergency flashlight according to the invention;

FIG. 3 is a rear elevational view of an emergency flashlight according to the invention;

FIG. 4 is a left side elevational view of an emergency flashlight according to the invention;

FIG. 5 is a left side elevational view of an emergency flashlight according to the invention;

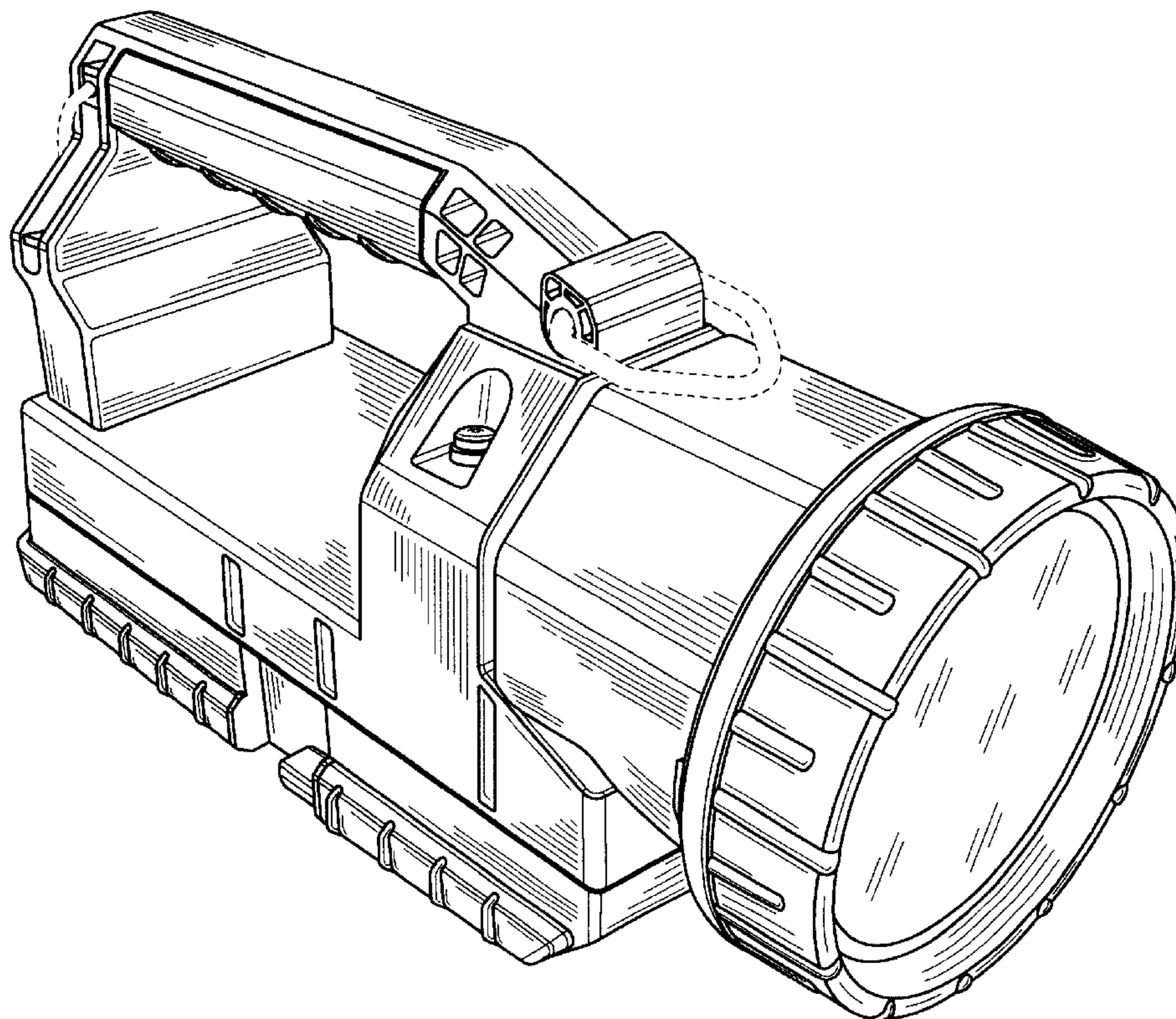
FIG. 6 is a top plan view of an emergency flashlight according to the invention;

FIG. 7 is a bottom plan view of an emergency flashlight according to the invention; and

FIG. 8 is a perspective view of an emergency flashlight, with the head rotated in an alternate position.

The broken line showing of the hook is for illustrative purposes only and forms no part of the claimed design.

1 Claim, 7 Drawing Sheets



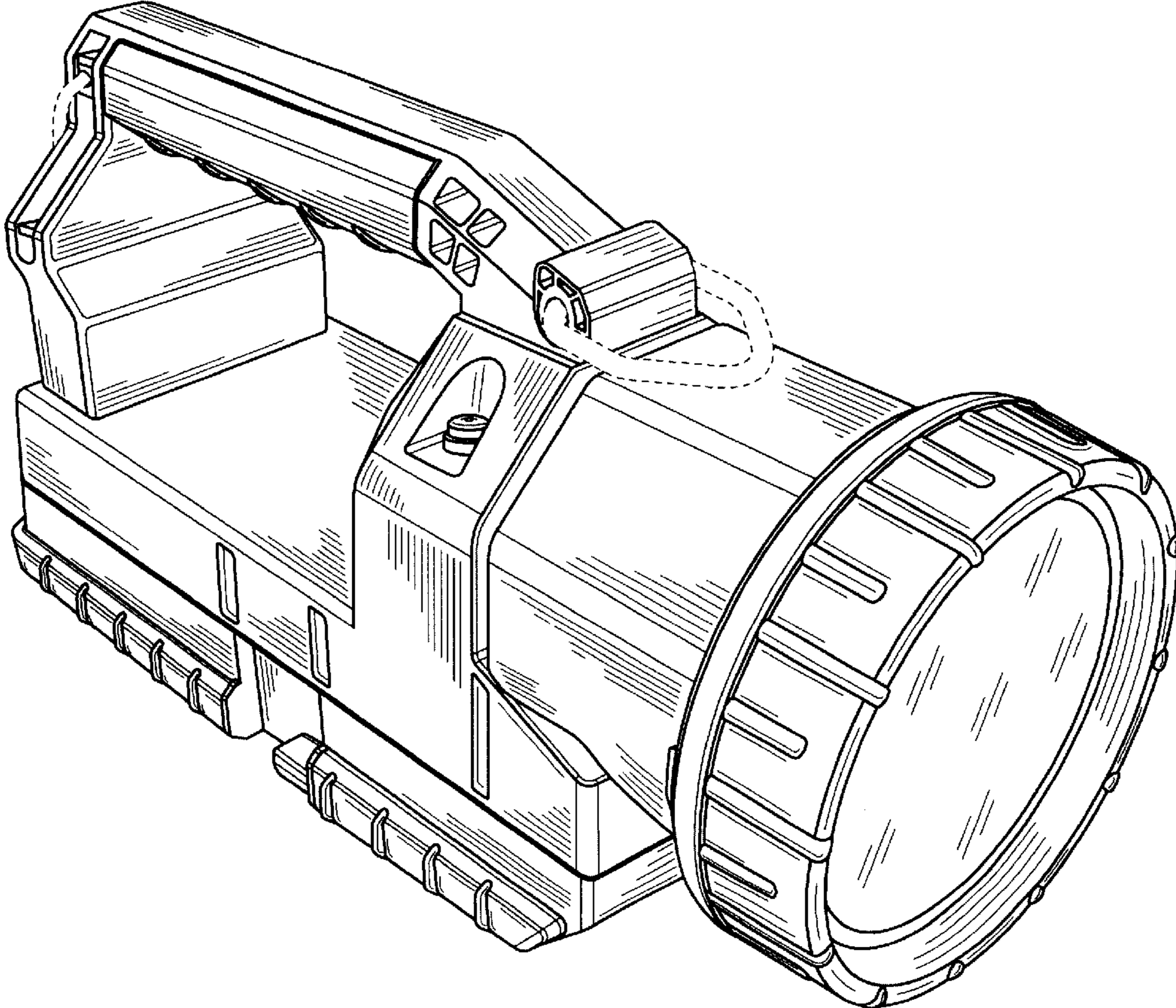


FIG. 1

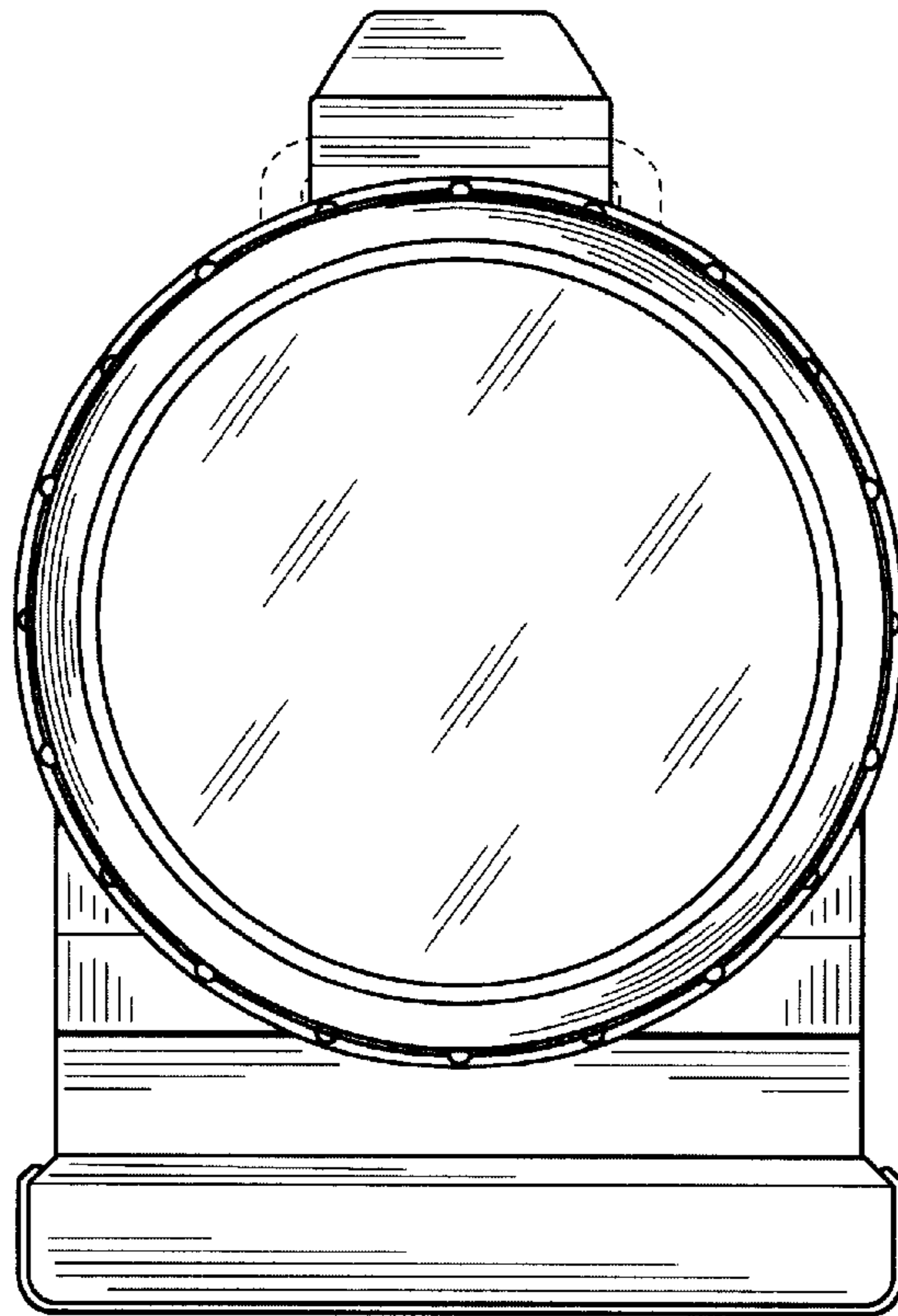


FIG. 2

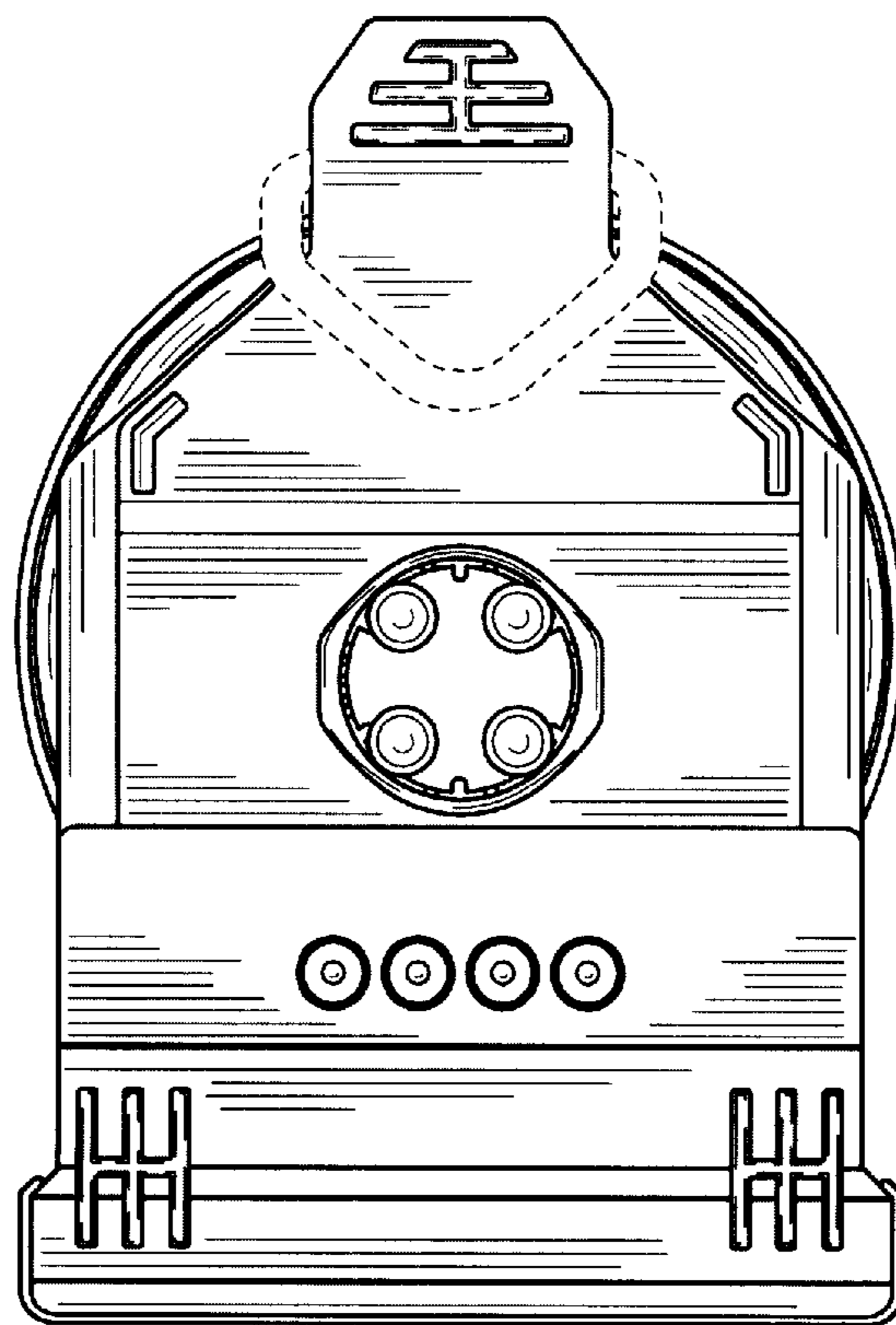


FIG. 3

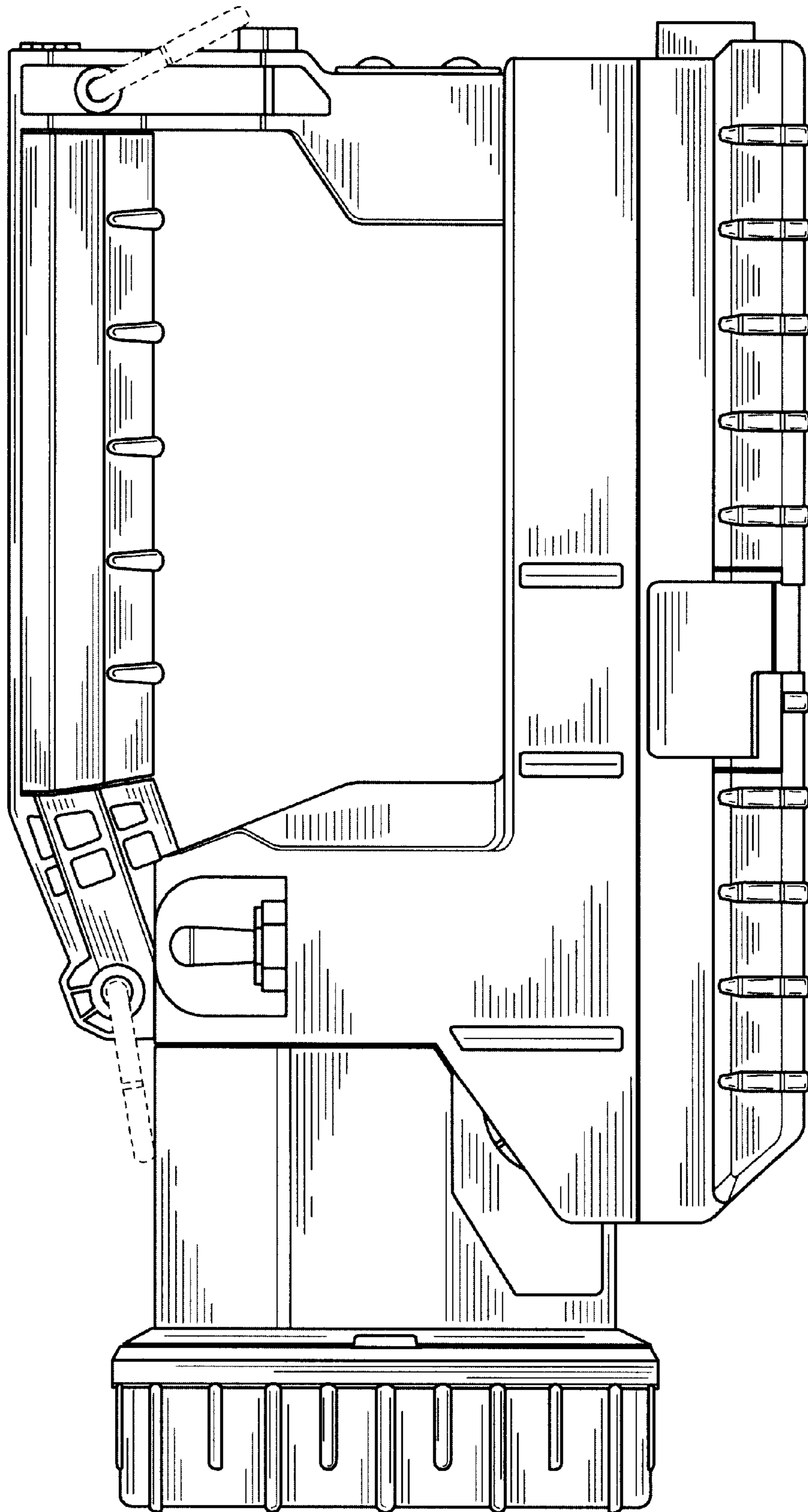


FIG. 4

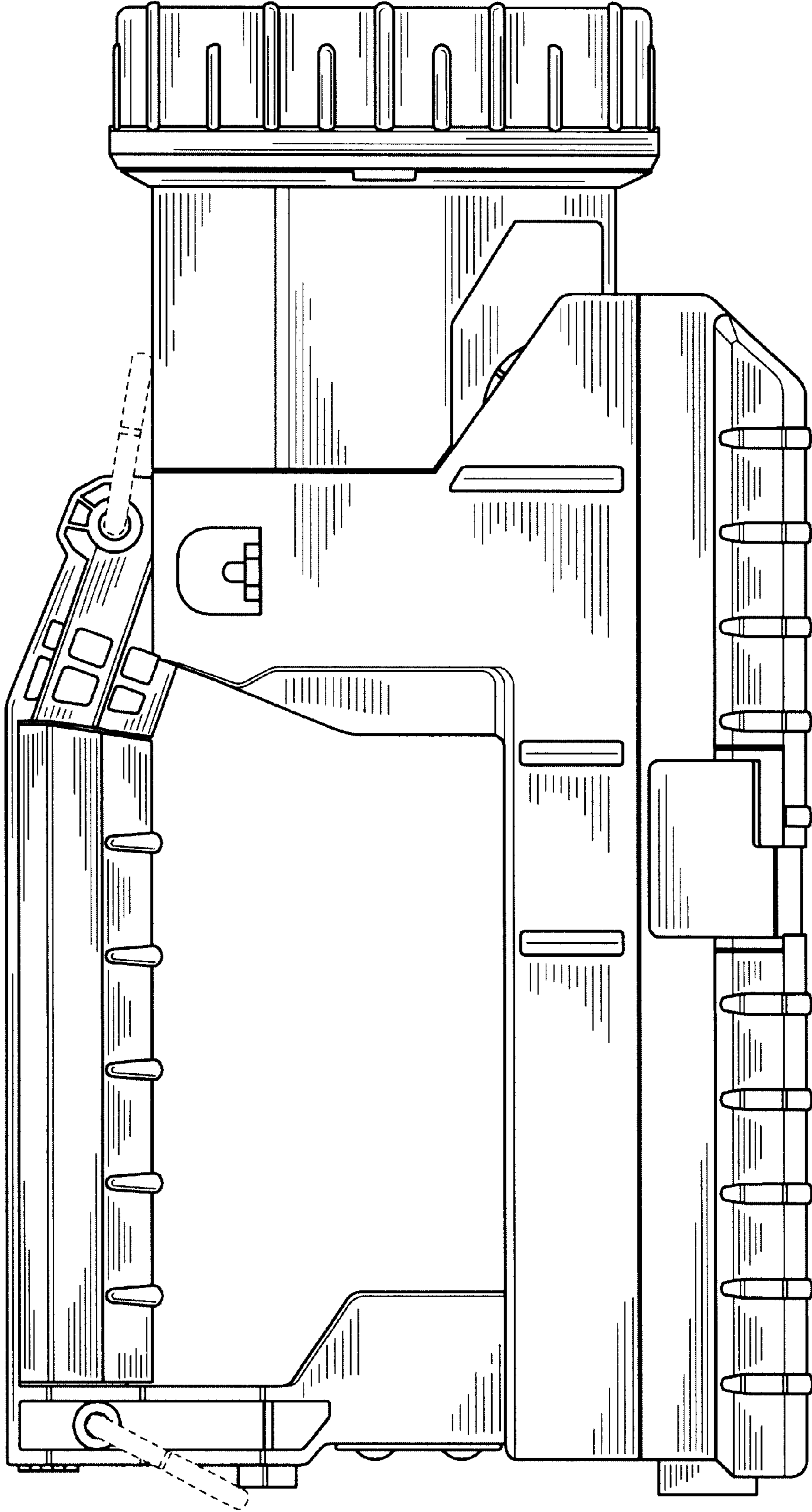


FIG. 5

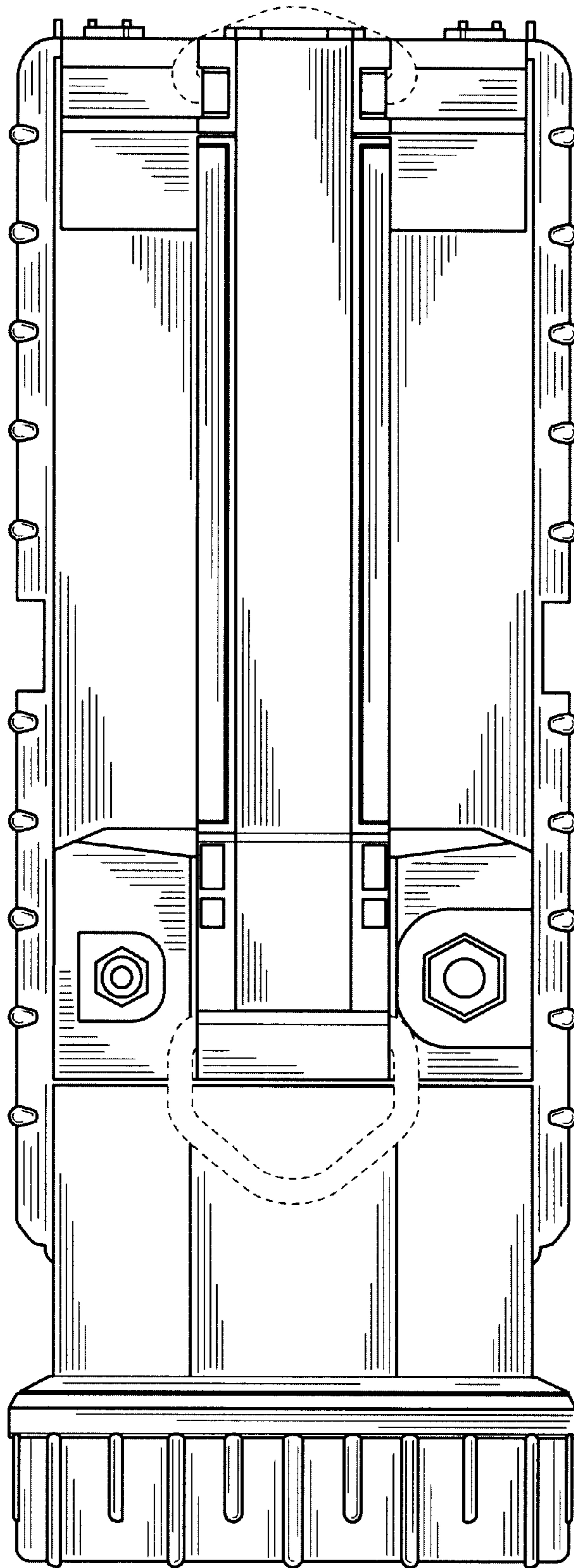


FIG. 6

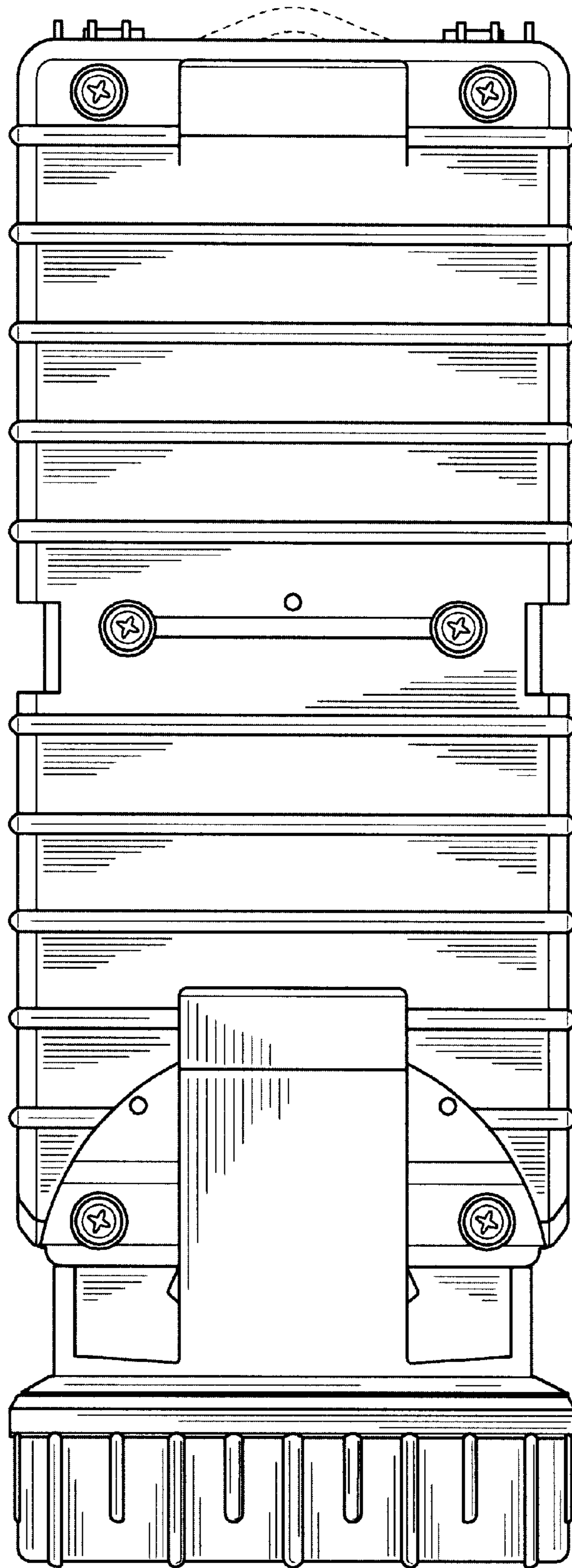


FIG. 7

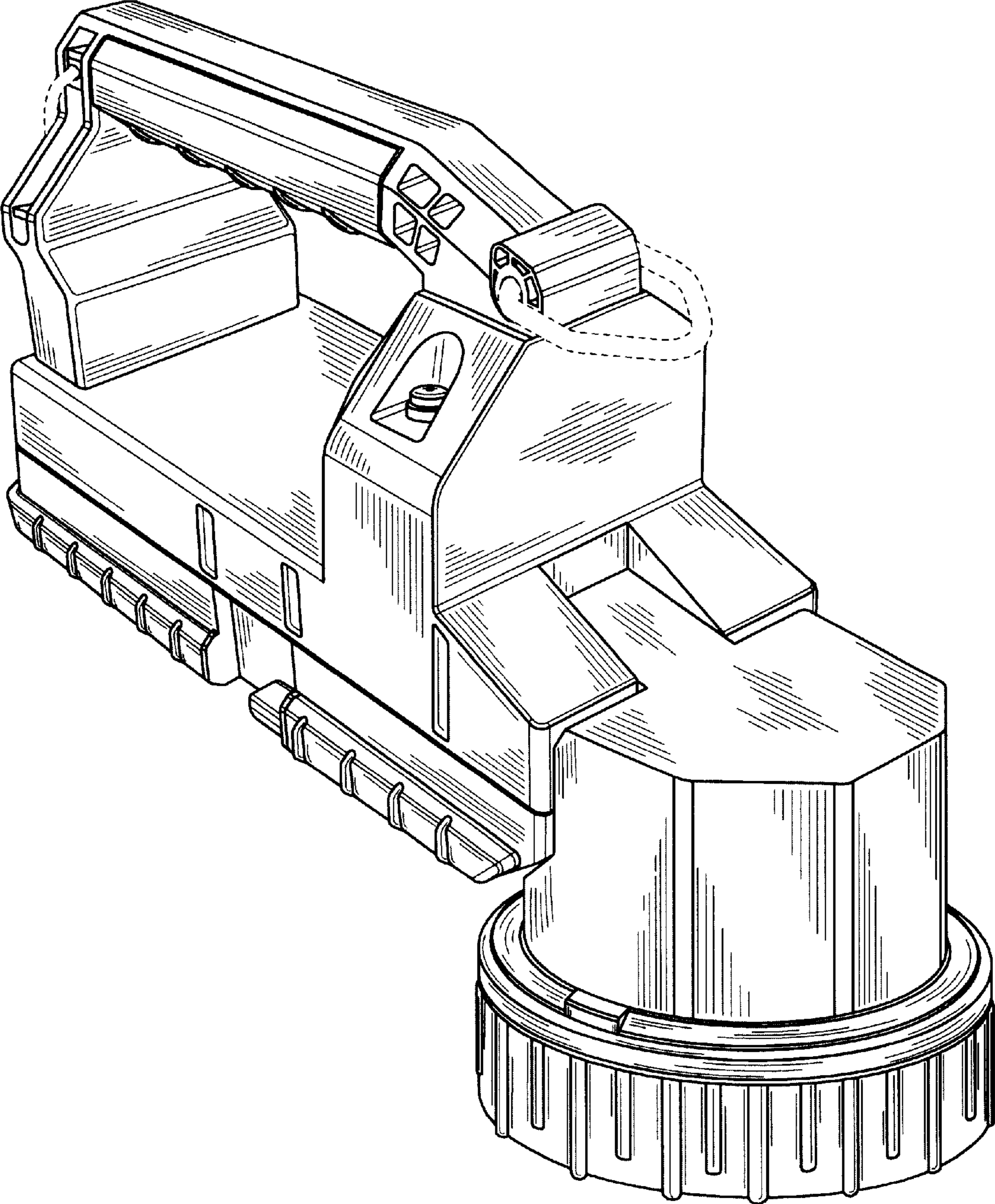


FIG. 8

UNITED STATES PATENT AND TRADEMARK OFFICE
CERTIFICATE OF CORRECTION

PATENT NO. : Des. 545,470 S
APPLICATION NO. : 29/240467
DATED : June 26, 2007
INVENTOR(S) : Devaney et al.

Page 1 of 1

It is certified that error appears in the above-identified patent and that said Letters Patent is hereby corrected as shown below:

On the title page, item (75),
The spelling of the first named inventor's surname should be corrected to read as follows:

Devaney

Signed and Sealed this

Fourth Day of September, 2007

A handwritten signature in black ink on a light gray dotted background. The signature reads "Jon W. Dudas" in a cursive style.

JON W. DUDAS

Director of the United States Patent and Trademark Office