

US00D545469S

(12) **United States Design Patent**
Wikle et al.

(10) **Patent No.:** **US D545,469 S**
(45) **Date of Patent:** **** Jun. 26, 2007**

- (54) **FLUORESCENT FLASHLIGHT**
- (75) Inventors: **David Wikle**, York, PA (US); **Stuart J. Wright**, Timonium, MD (US)
- (73) Assignee: **Black & Decker Inc.**, Newark, DE (US)
- (**) Term: **14 Years**
- (21) Appl. No.: **29/237,671**
- (22) Filed: **Sep. 2, 2005**

DE	29520154	8/1996
DE	29607177	1/1997
DM	049607	8/1999
MR	M8802310	4/1988
MR	M8903529	11/1988
MR	M9102122	10/1990
MR	M9105999	3/1991
MR	M9106615	3/1991
MR	M9205800	2/1992
MR	M9504099	12/1994
MR	M9505754	7/1995
WO	WO 00/57103	9/2000

- (51) **LOC (8) Cl.** **26-02**
- (52) **U.S. Cl.** **D26/42**
- (58) **Field of Classification Search** D26/37-50,
D26/42; 362/157, 158, 171-174, 183-208
See application file for complete search history.

OTHER PUBLICATIONS

DPMA-40405574.5, Sep. 29, 2004, John Mfg. Ltd.
DPMA-40404768.8, Aug. 20, 2004.

* cited by examiner

Primary Examiner—Marcus A. Jackson
(74) *Attorney, Agent, or Firm*—Harness, Dickey & Pierce, P.L.C.

(56) **References Cited**

U.S. PATENT DOCUMENTS

4,187,532 A	2/1980	Naffier	
4,432,043 A	2/1984	Yuen	
4,598,344 A	7/1986	Nadler	
5,243,505 A	9/1993	Carr	
5,465,196 A	11/1995	Hasenberg et al.	
5,528,477 A	6/1996	Carmo	
D393,324 S	4/1998	Howard et al.	
D409,776 S	5/1999	Ghode et al.	
5,921,658 A	7/1999	Kovacik et al.	
D414,576 S	* 9/1999	Yuen	D26/42
6,123,434 A	9/2000	Meltzer	
D439,354 S	* 3/2001	Yuen	D26/42
D441,888 S	* 5/2001	Haneda et al.	D26/42
D486,257 S	2/2004	Kingston et al.	
D501,687 S	2/2005	Kovacik et al.	
D504,968 S	* 5/2005	Bayat et al.	D26/42
D505,217 S	* 5/2005	Bayat et al.	D26/42

FOREIGN PATENT DOCUMENTS

DE	3711174	12/1988
DE	19602944	1/1996

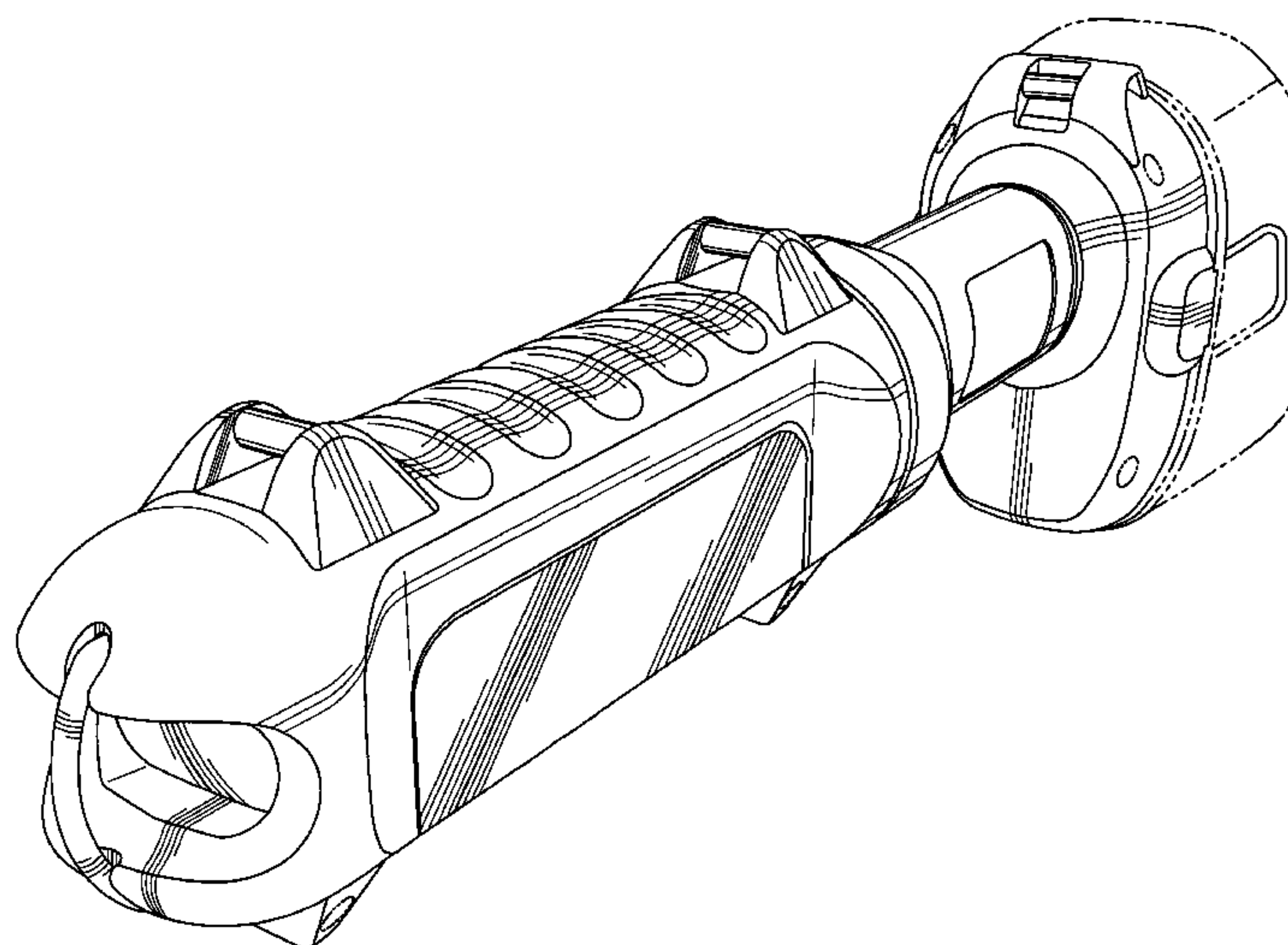
(57) **CLAIM**

The ornamental design for a fluorescent flashlight, as shown and described.

DESCRIPTION

FIG. 1 is a perspective view of a fluorescent flashlight showing our/my new design;
FIG. 2 is a front elevational view thereof;
FIG. 3 is a rear elevational view thereof;
FIG. 4 is a right elevational view thereof;
FIG. 5 is a left elevational view thereof;
FIG. 6 is a top plan view thereof; and,
FIG. 7 is a bottom plan view thereof.
It will be understood that the bottom of the fluorescent flashlight is not seen during normal use. Also, in the above drawings, any broken line illustration is not part of the design sought to be patented.

1 Claim, 6 Drawing Sheets



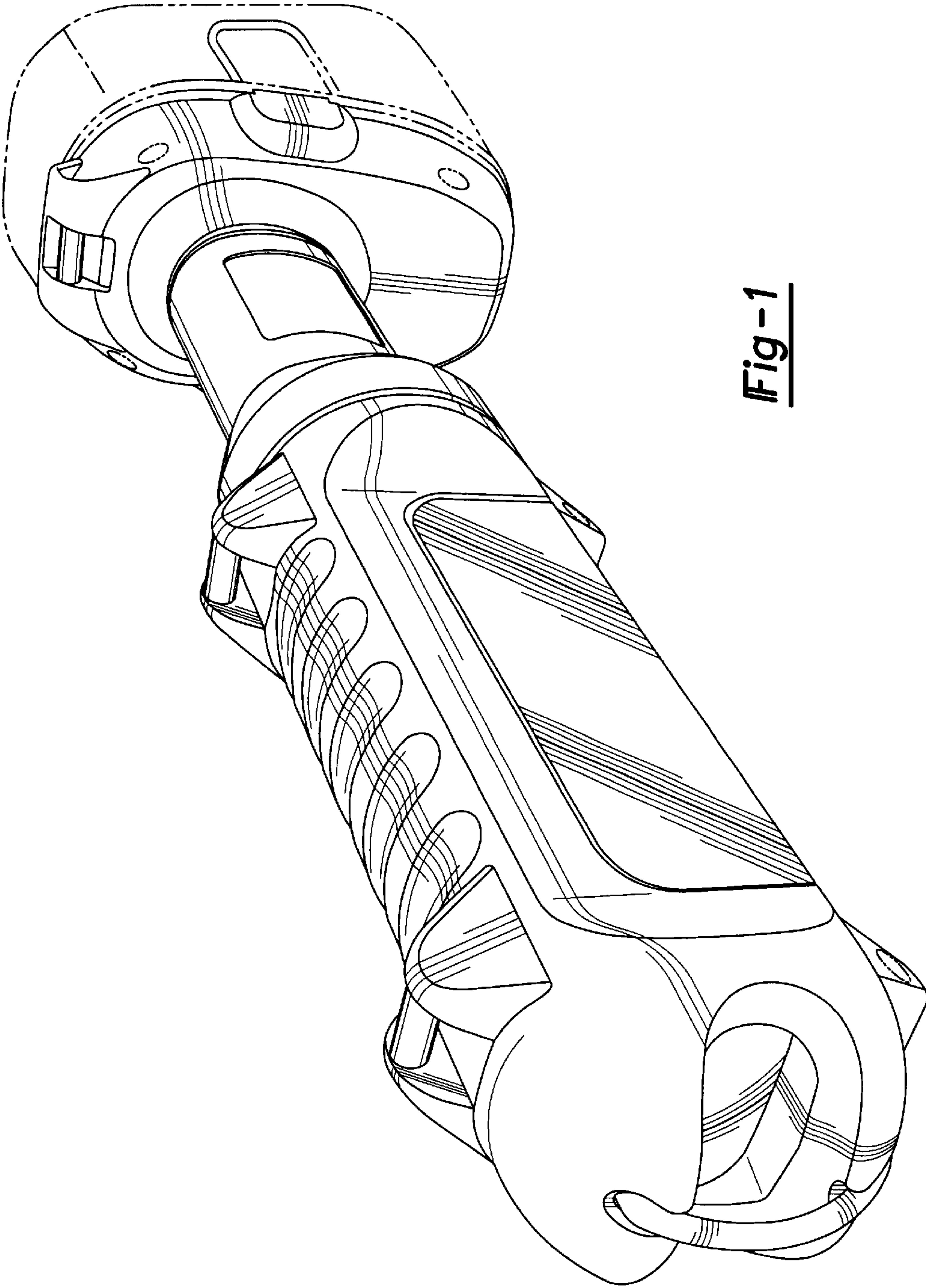


Fig-1

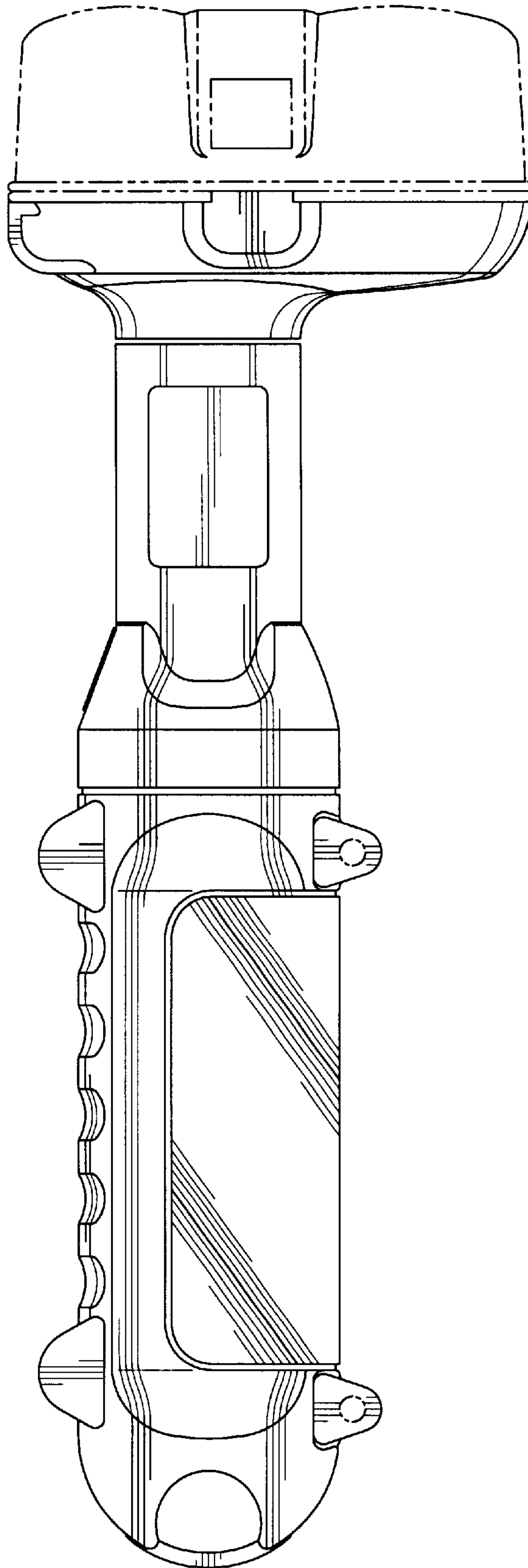


Fig-2

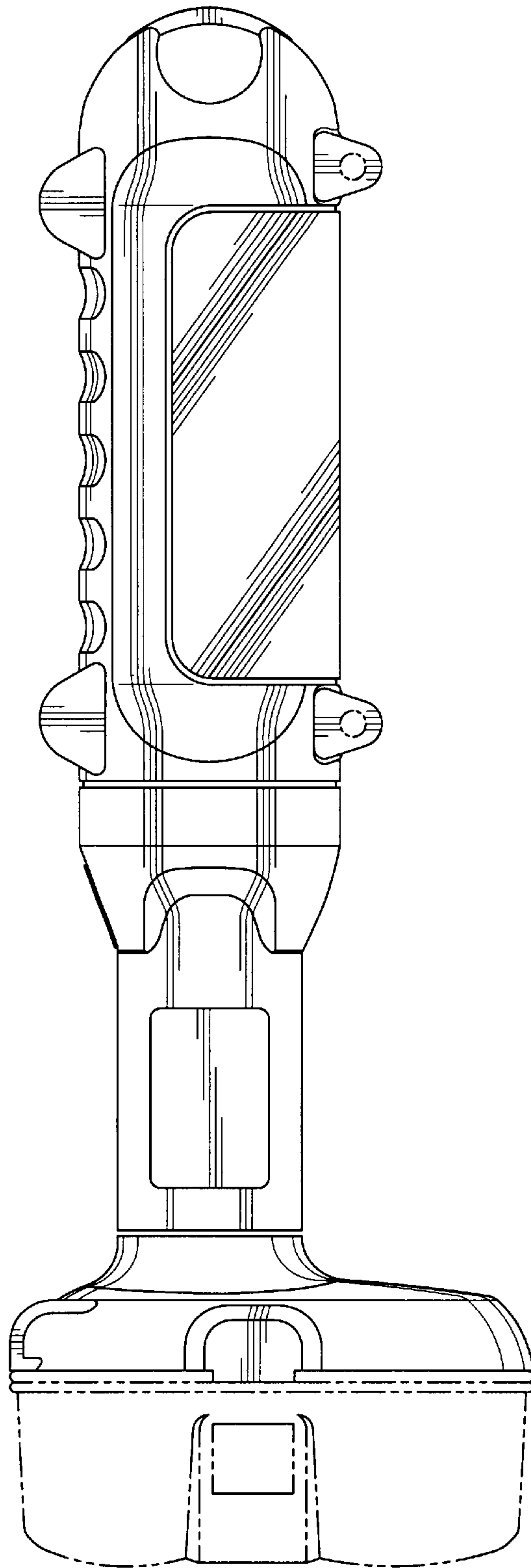


Fig-3

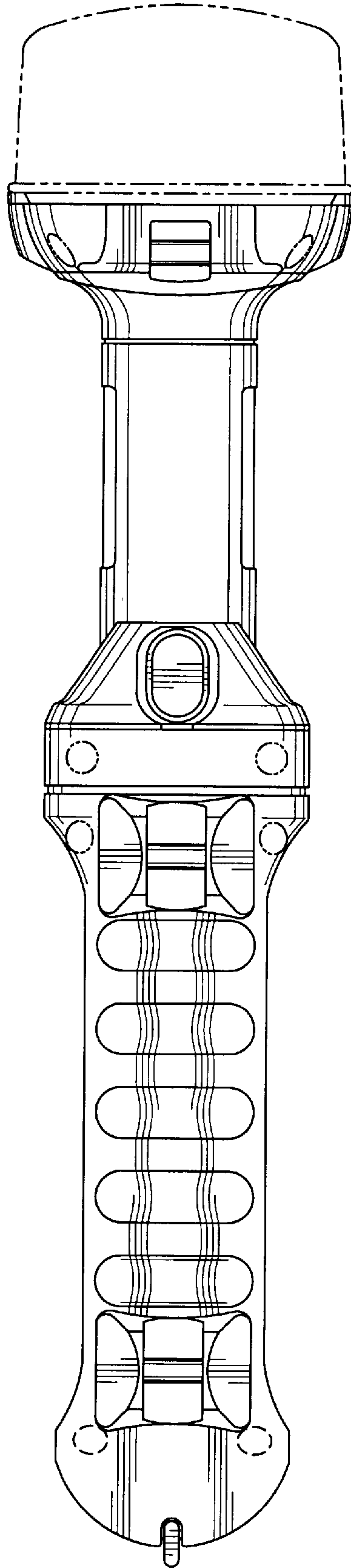


Fig-4

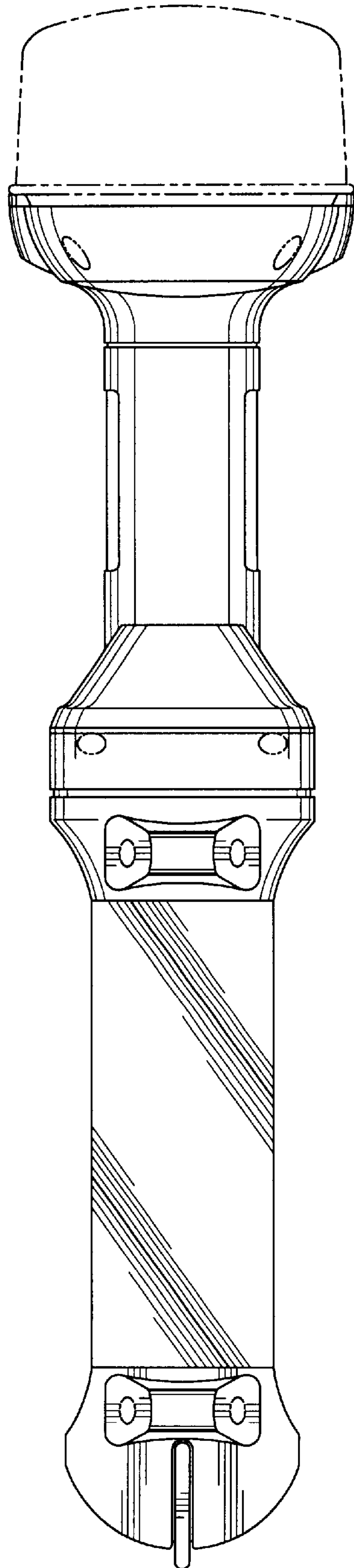


Fig-5

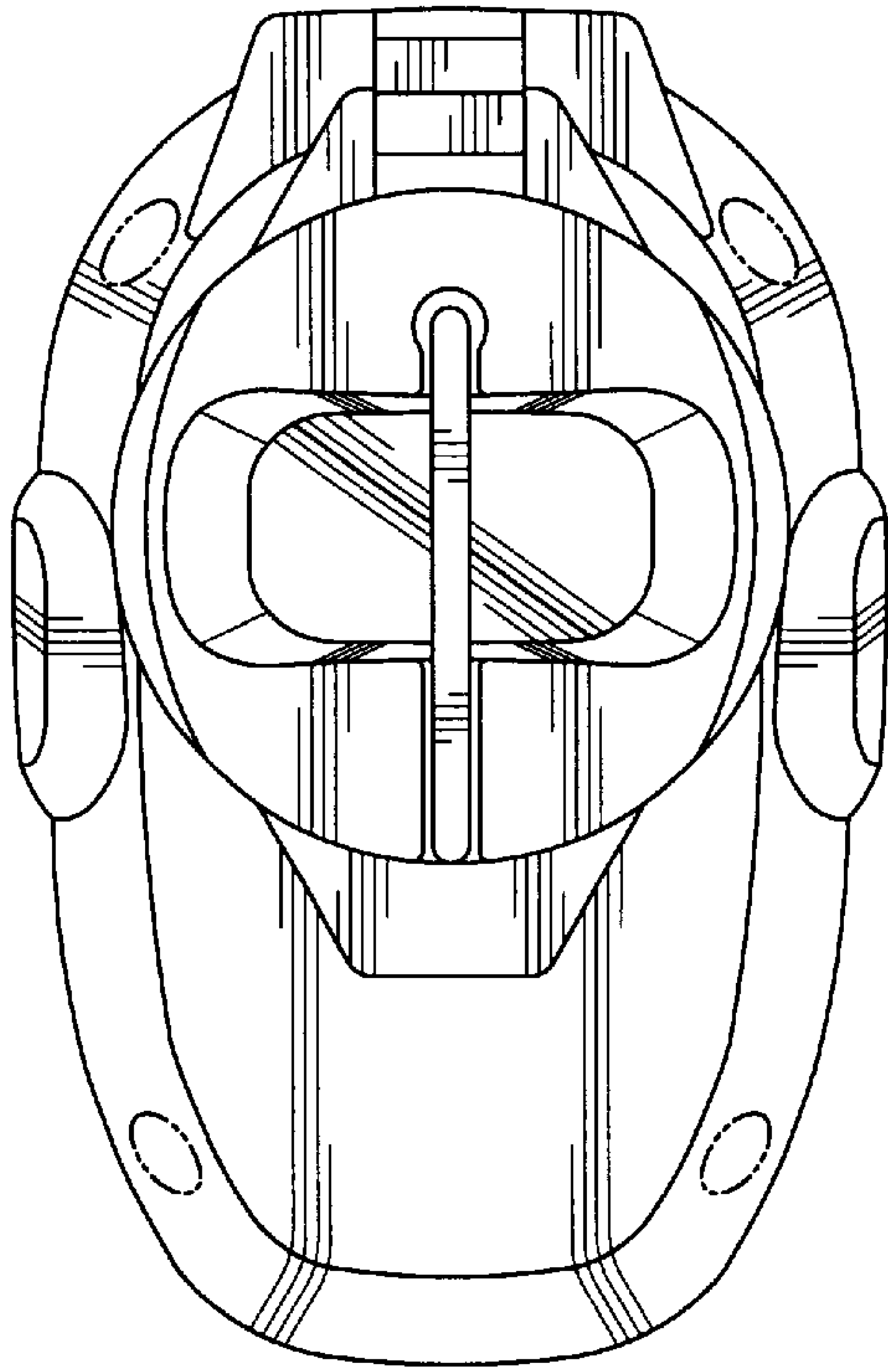


Fig-6

Fig-7

