



US00D545468S

(12) **United States Design Patent**  
**Mak**

(10) **Patent No.:** **US D545,468 S**

(45) **Date of Patent:** **\*\* Jun. 26, 2007**

(54) **LAMP**

(76) **Inventor:** **Chak Sang Mak**, 1-3/F, United  
Industrial Building, 50 Heung Yip Rd.,  
Wong Chuk Hang (HK)

(\*\*) **Term:** **14 Years**

(21) **Appl. No.:** **29/266,714**

(22) **Filed:** **Sep. 26, 2006**

(51) **LOC (8) Cl.** ..... **26-02**

(52) **U.S. Cl.** ..... **D26/37**

(58) **Field of Classification Search** ..... 362/188,  
362/360, 362, 372, 376, 181, 388, 185, 186,  
362/374, 375, 392, 172, 173, 179, 180, 182,  
362/394, 395, 396, 399, 280, 161, 162, 158,  
362/183, 184; D26/37, 38, 39, 40, 41, 42,  
D26/43, 44, 48, 50

See application file for complete search history.

(56) **References Cited**

**U.S. PATENT DOCUMENTS**

530,626 A \* 12/1894 Rowland ..... 362/161  
582,838 A \* 5/1897 Wilson ..... 362/161

D296,010 S \* 5/1988 Wan ..... D26/42  
D422,105 S \* 3/2000 Poon ..... D26/50  
D492,806 S \* 7/2004 Hsu et al. .... D26/40  
D498,015 S \* 11/2004 Leung et al. .... D26/40

\* cited by examiner

*Primary Examiner*—Ian Simmons

*Assistant Examiner*—Carissa Fitts

(74) *Attorney, Agent, or Firm*—Wiggin and Dana LLP;  
Gregory S. Rosenblatt; Sherri T. Dente

(57) **CLAIM**

The ornamental design for a lamp, as shown and described.

**DESCRIPTION**

FIG. 1 is a front view of a lamp showing my new design;

FIG. 2 is a rear view thereof;

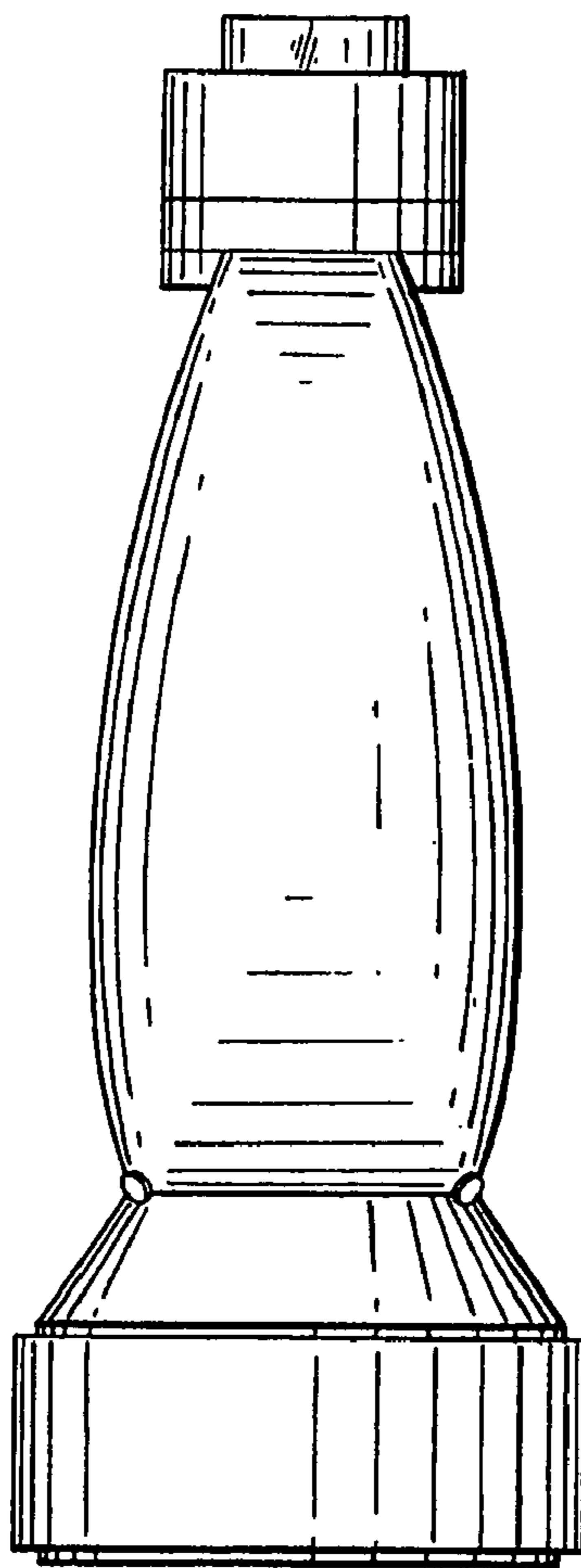
FIG. 3 is a left perspective view thereof;

FIG. 4 is a right perspective view thereof; and,

FIG. 5 is a top view thereof.

The bottom of the design is flat and unornamented.

**1 Claim, 2 Drawing Sheets**



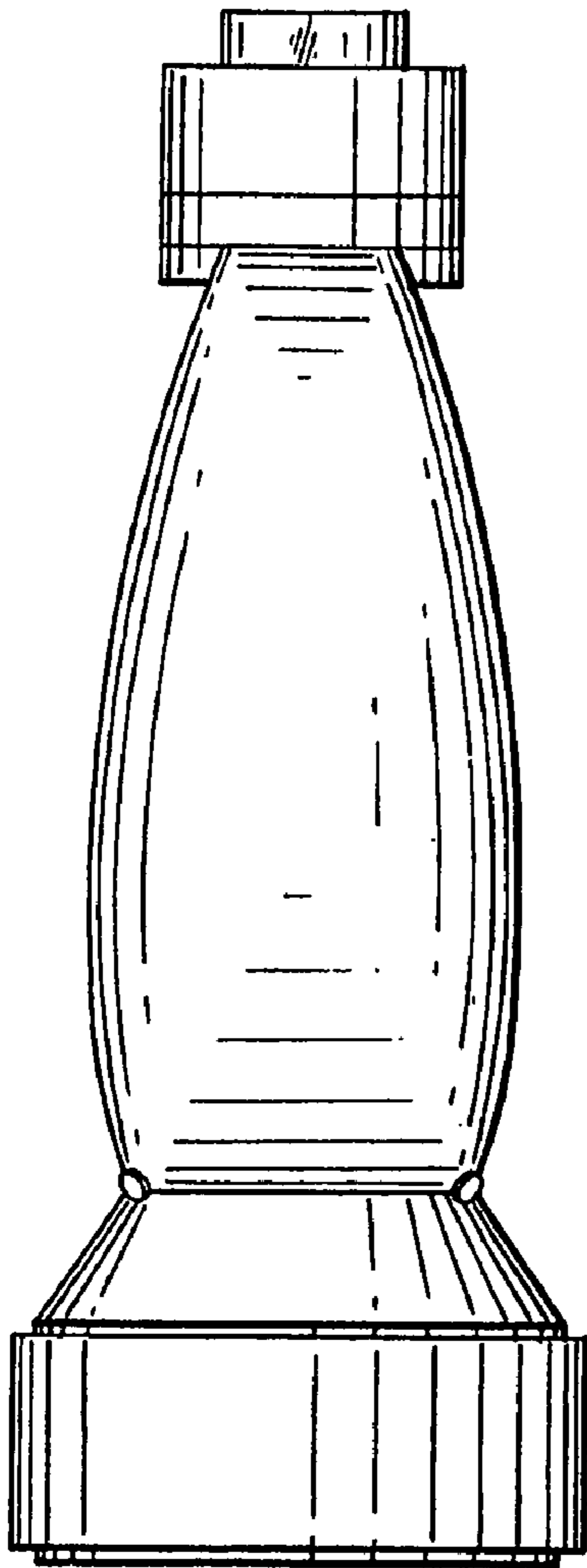


FIG. 1

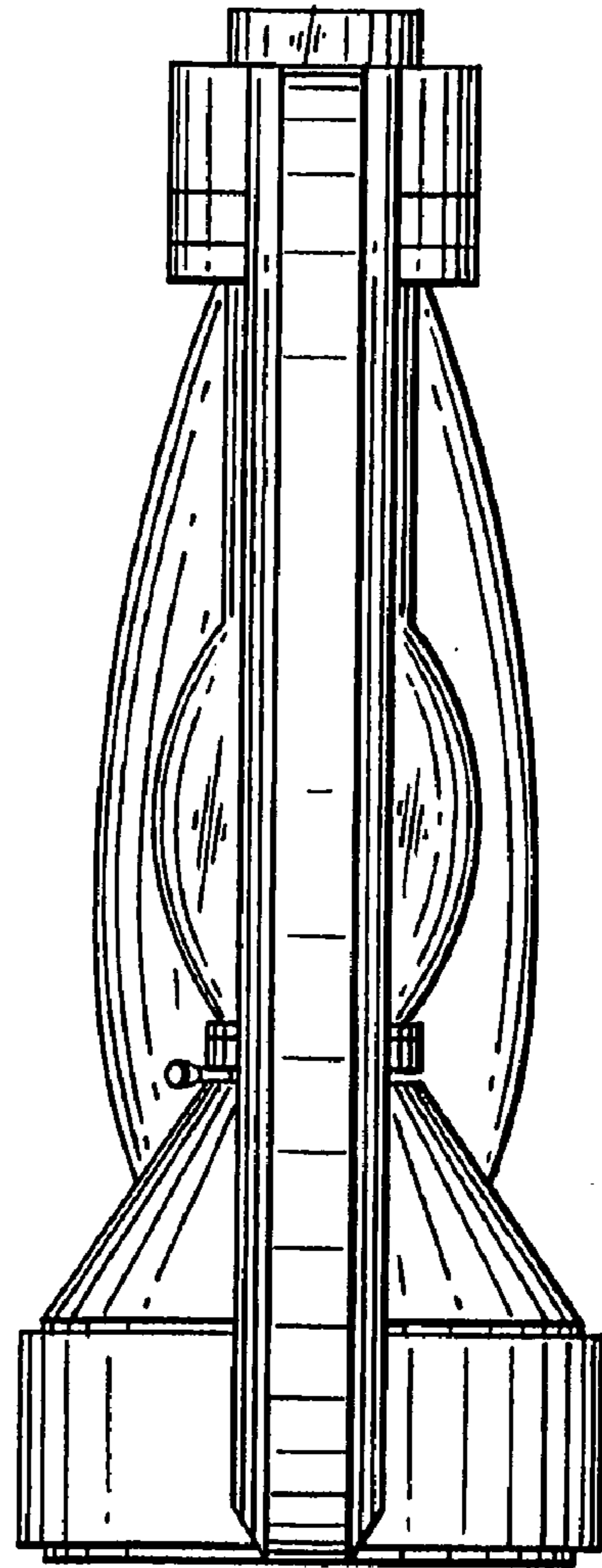


FIG. 2

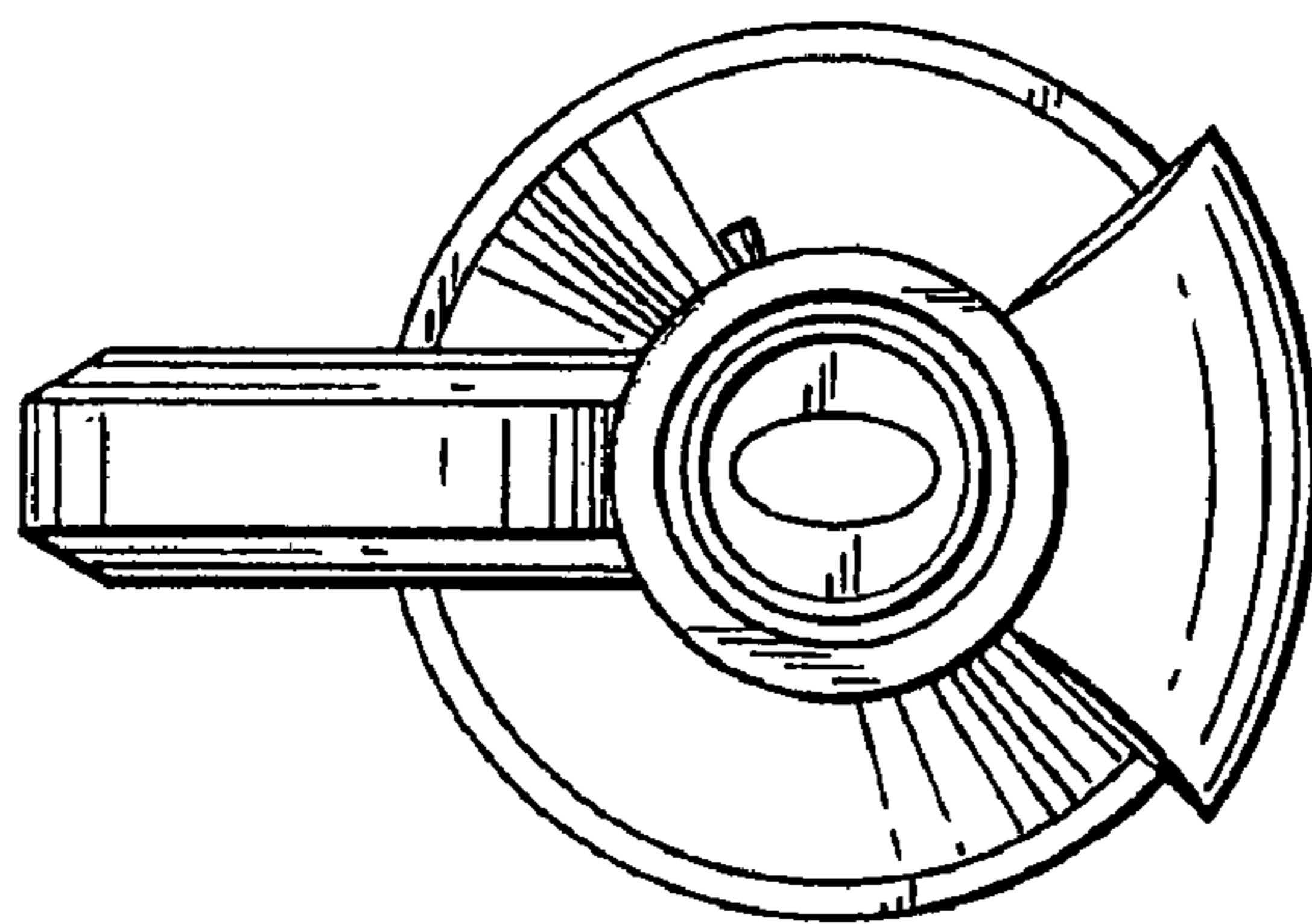


FIG. 5

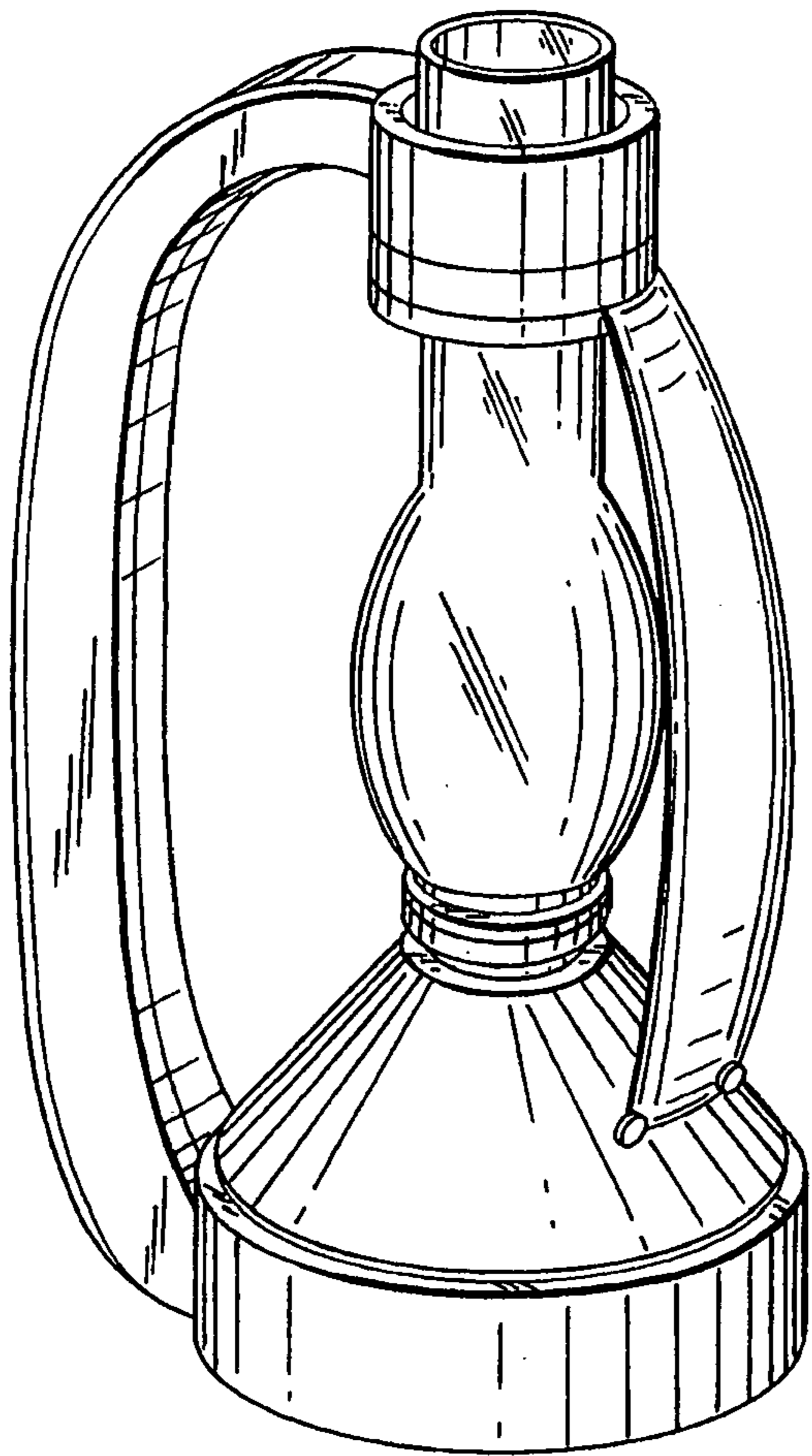


FIG. 3

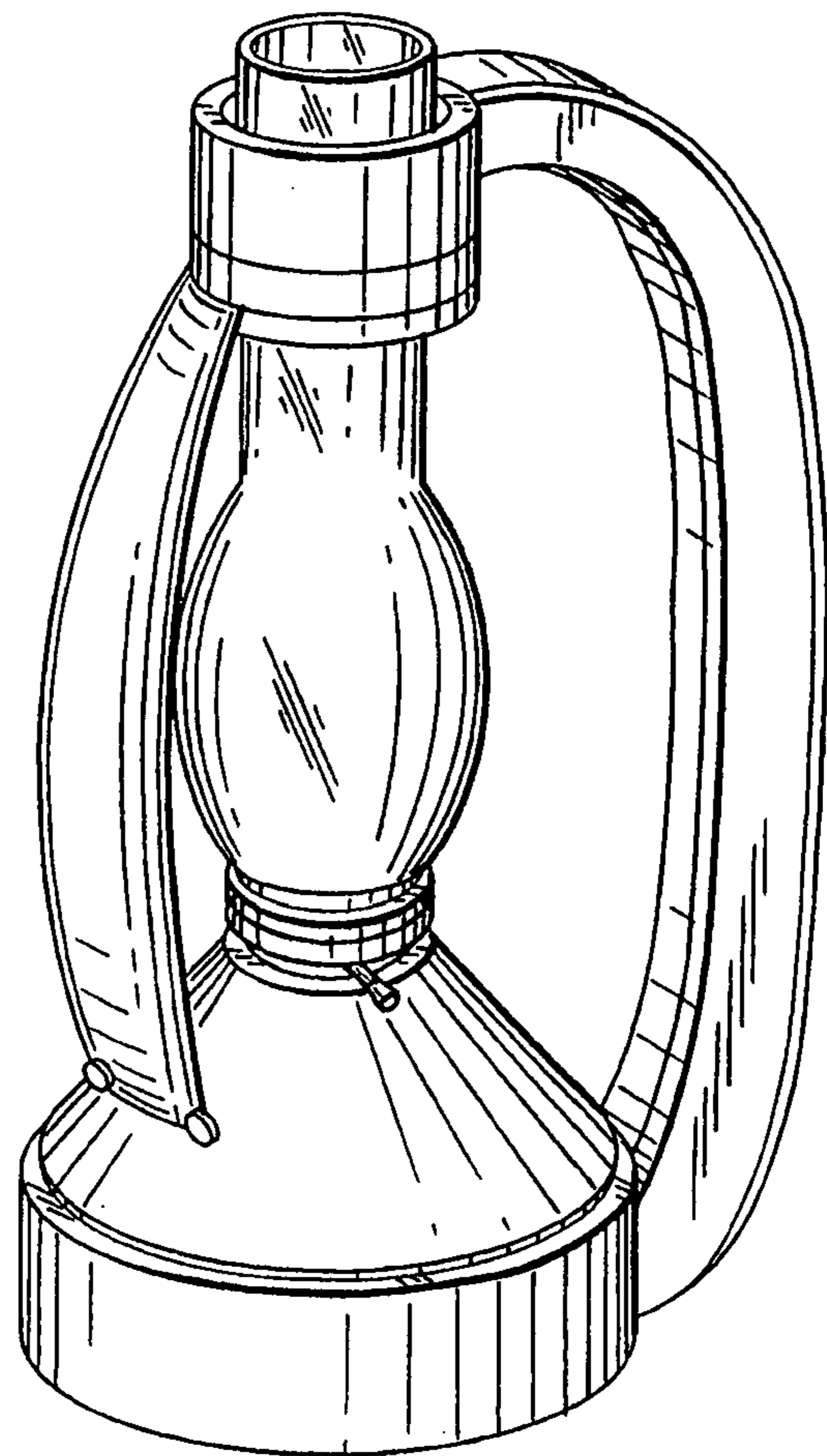


FIG. 4