

US00D545462S

(12) **United States Design Patent** (10) **Patent No.:** **US D545,462 S**  
**Kaoud et al.** (45) **Date of Patent:** **\*\* Jun. 26, 2007**

(54) **VEHICLE HEADLIGHT**

(75) Inventors: **Ehab Kaoud**, Canton, MI (US); **Lon Zaback**, Farmington Hills, MI (US); **David Griffiths**, Ann Arbor, MI (US); **Bruce Williams**, Grosse Pointe Park, MI (US)

(73) Assignee: **Ford Global Technologies, LLC**, Dearborn, MI (US)

(\*\*) Term: **14 Years**

(21) Appl. No.: **29/248,116**

(22) Filed: **Jul. 28, 2006**

(51) **LOC (8) Cl.** ..... **26-06**

(52) **U.S. Cl.** ..... **D26/28**

(58) **Field of Classification Search** ..... D26/28-36;  
362/459-468, 475-478, 485-487

See application file for complete search history.

(56) **References Cited**

**U.S. PATENT DOCUMENTS**

D507,362 S \* 7/2005 Minami ..... D26/28  
D526,428 S \* 8/2006 Yagihashi ..... D26/28  
D536,808 S \* 2/2007 Hsu ..... D26/28

**OTHER PUBLICATIONS**

European First Drive: 2006 Ford Focus ST (Euro Spec), Nov. 28, 2005, <http://www.edmunds.com/insideline/do/Features/articleId=108108>.

Spied: 2007 Ford Focus, Feb. 1, 2006, <http://www.caranddriver.com/carnews/10702/spied-2007-ford-focus.html>.

Ford Focus CC Spy Photos, Feb. 15, 2006 <http://www.worldcarfans.com/spyphotos.cfm/country/acf/spyphotoID/6060215.001/ford/ford-focus-cc-spy-photos>.

Spy Photos: Ford Focus Coupe Cabriolet, Feb. 16, 2006 <http://www.jalopnik.com/cars/focus/spy-photos-ford-focus-coupe-cabriolet-155192.php>.

07-08 focus sedan pics, Jul. 19, 2006 <http://forums.focaljet.com/team-pit-stop/519600-07-08-focus-sedan-pics.html>.

Autoblog, Spy Shots: 2008 Ford Focus, Jul. 21, 2006 <http://www.autoblog.com/2006/07/21/spy-shots-2008-ford-focus>.

Spy Shots: 2008 Ford Focus, Jul. 21, 2006 <http://www.varoomvroom.com/spy-shots-2008-ford-focus-3123>.

Ford Focus 4x4 on the way, Jul. 26, 2006 <http://www.autospies.com/news/Ford-Focus-4x4-on-the-way-7135>.

Sneak Peek: 2008 Ford Focus, Jul. 26, 2006 <http://www.detnews.com/apps/pbcs.dll/article?AID=/20060726/AUTO03/607260310&SearchID=73252435264334>.

2006 Ford Focus Exterior Photos <http://www.automotive.com/2006/12/ford/focus/photos/exterior.html>.

\* cited by examiner

*Primary Examiner*—Marcus A. Jackson

(74) *Attorney, Agent, or Firm*—Damian Porcari

(57) **CLAIM**

The ornamental design for a vehicle headlight, as shown and described.

**DESCRIPTION**

FIG. 1 is an elevational view of a right vehicle headlight (as viewed from the front of the vehicle, the left vehicle headlight being a mirror of the right and is not illustrated), the right vehicle headlight has a two horizontal louvers between the lens and reflector intersecting a vertical member separating two reflector chambers;

FIG. 2 is a right side elevational view of the vehicle headlight having a complex arcuate area adjacent the perimeter; and

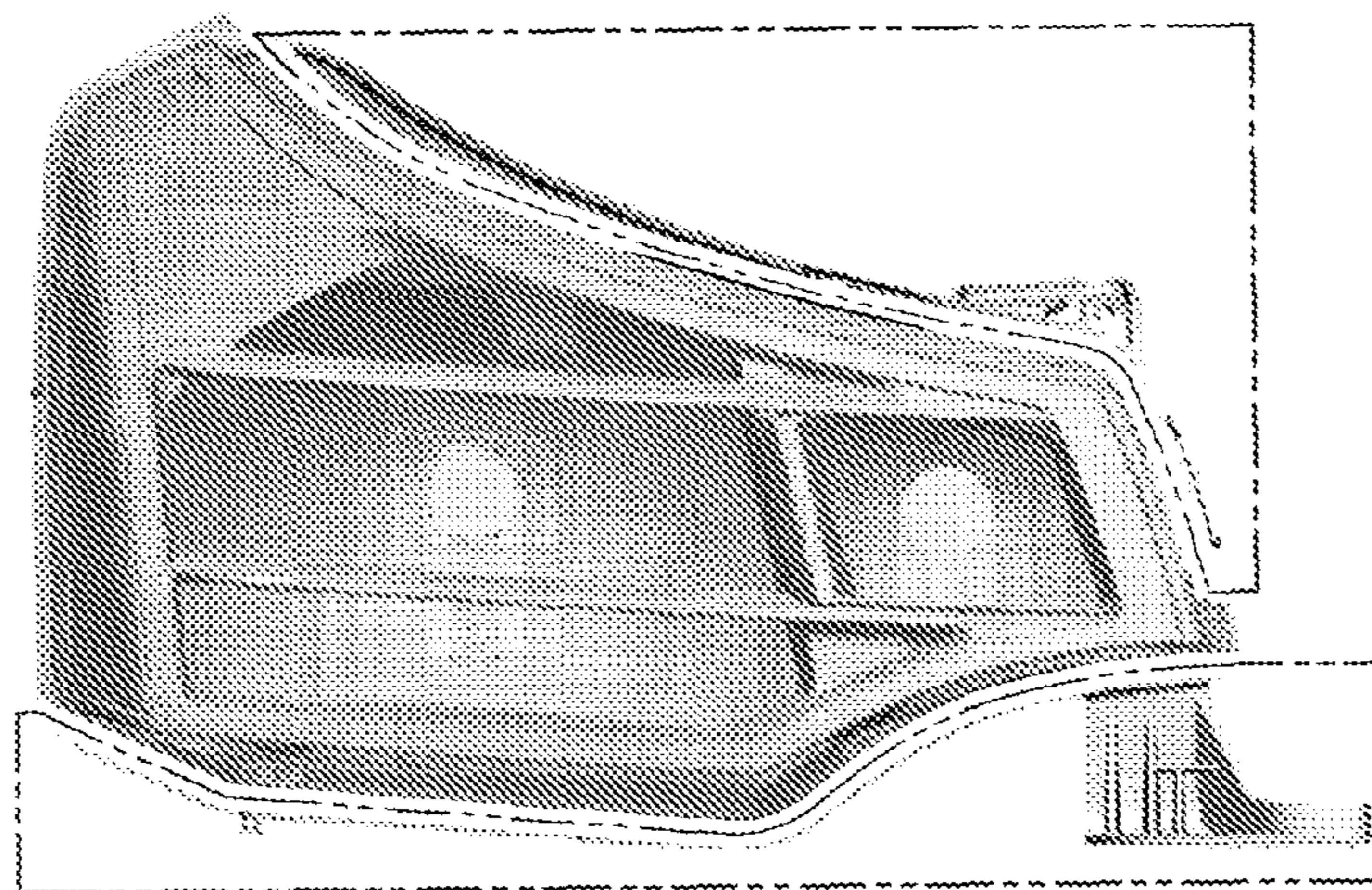
FIG. 3 is a left side elevational view of the vehicle headlight; and

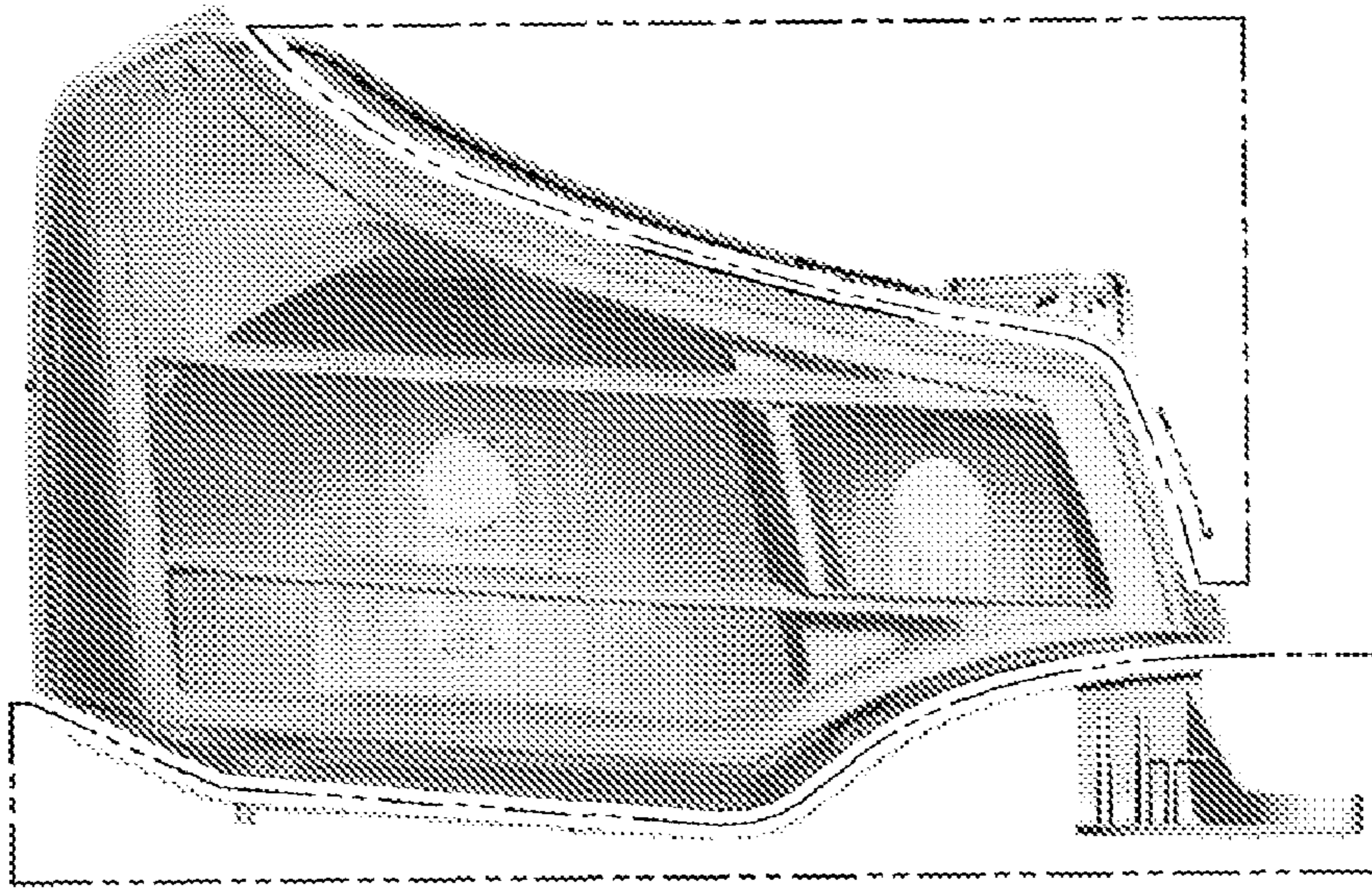
FIG. 4 is a top down plan view of the vehicle headlight illustrating the interior through the outer clear lens;

FIG. 5 is bottom up plan view of the vehicle headlight; and,

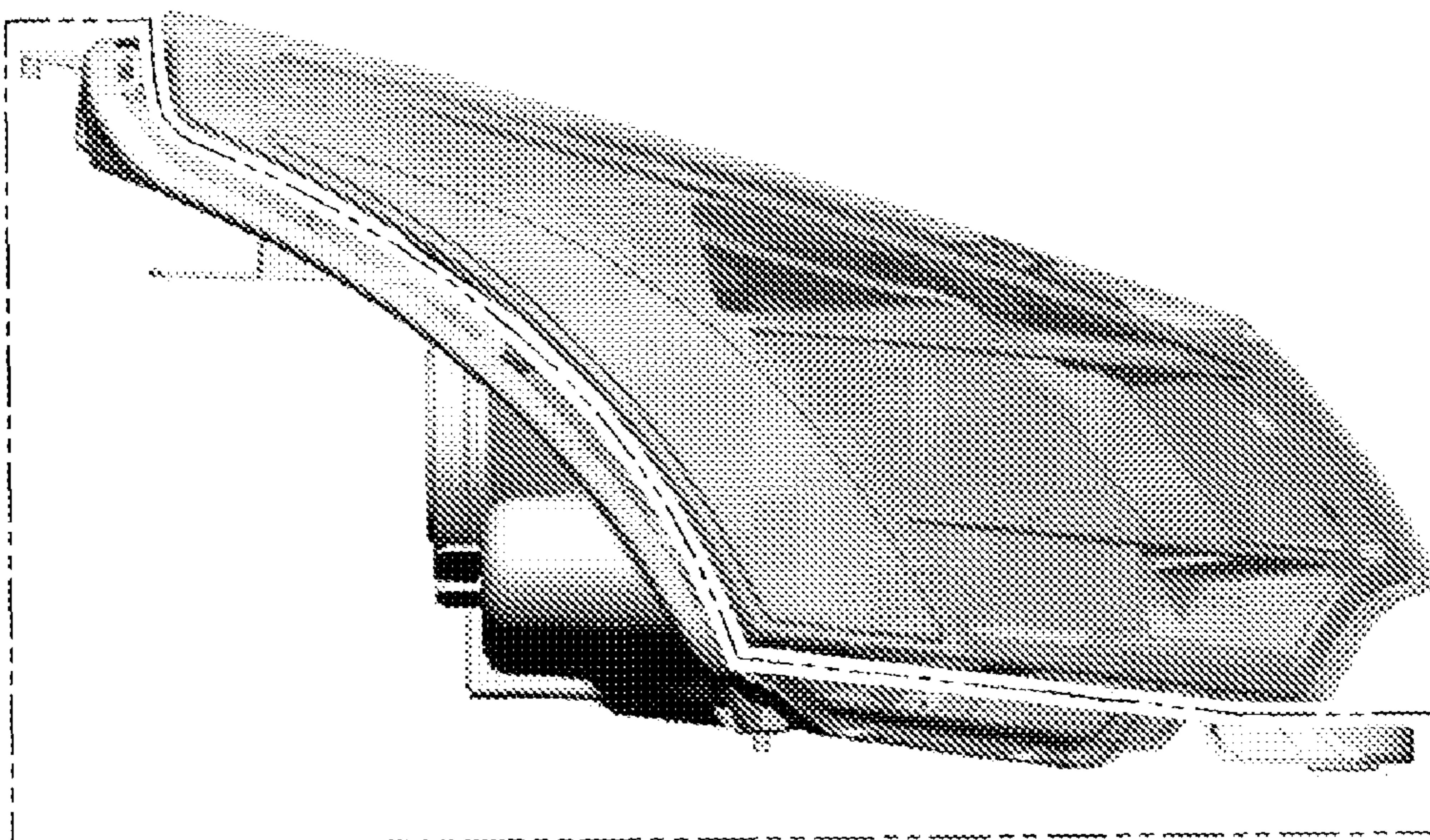
FIG. 6 is an elevational view of the vehicle headlight (as viewed from the rear of the vehicle), illustrating the Class B surface. This view is not claimed and is used for secondary filing.

**1 Claim, 3 Drawing Sheets**

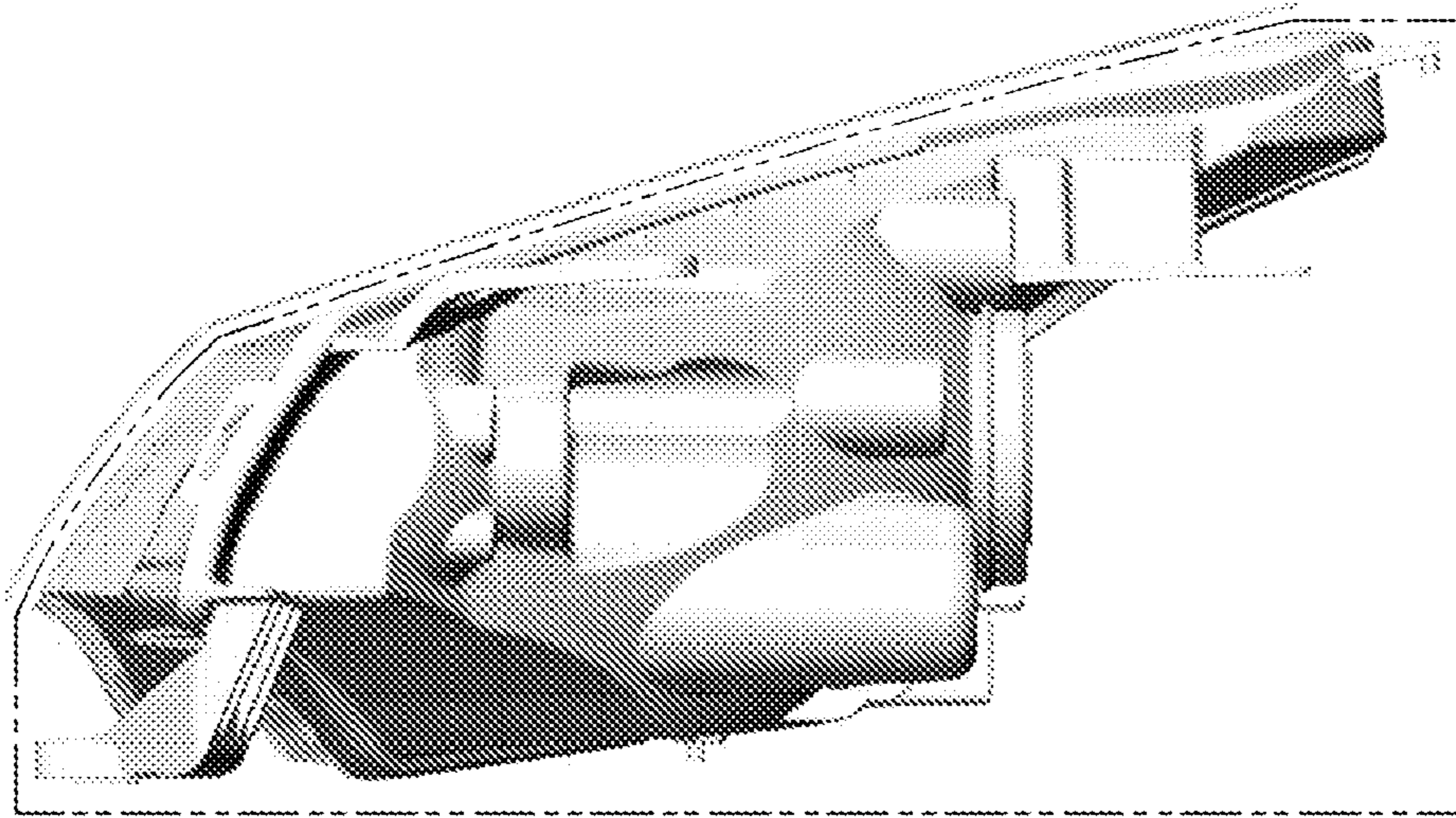




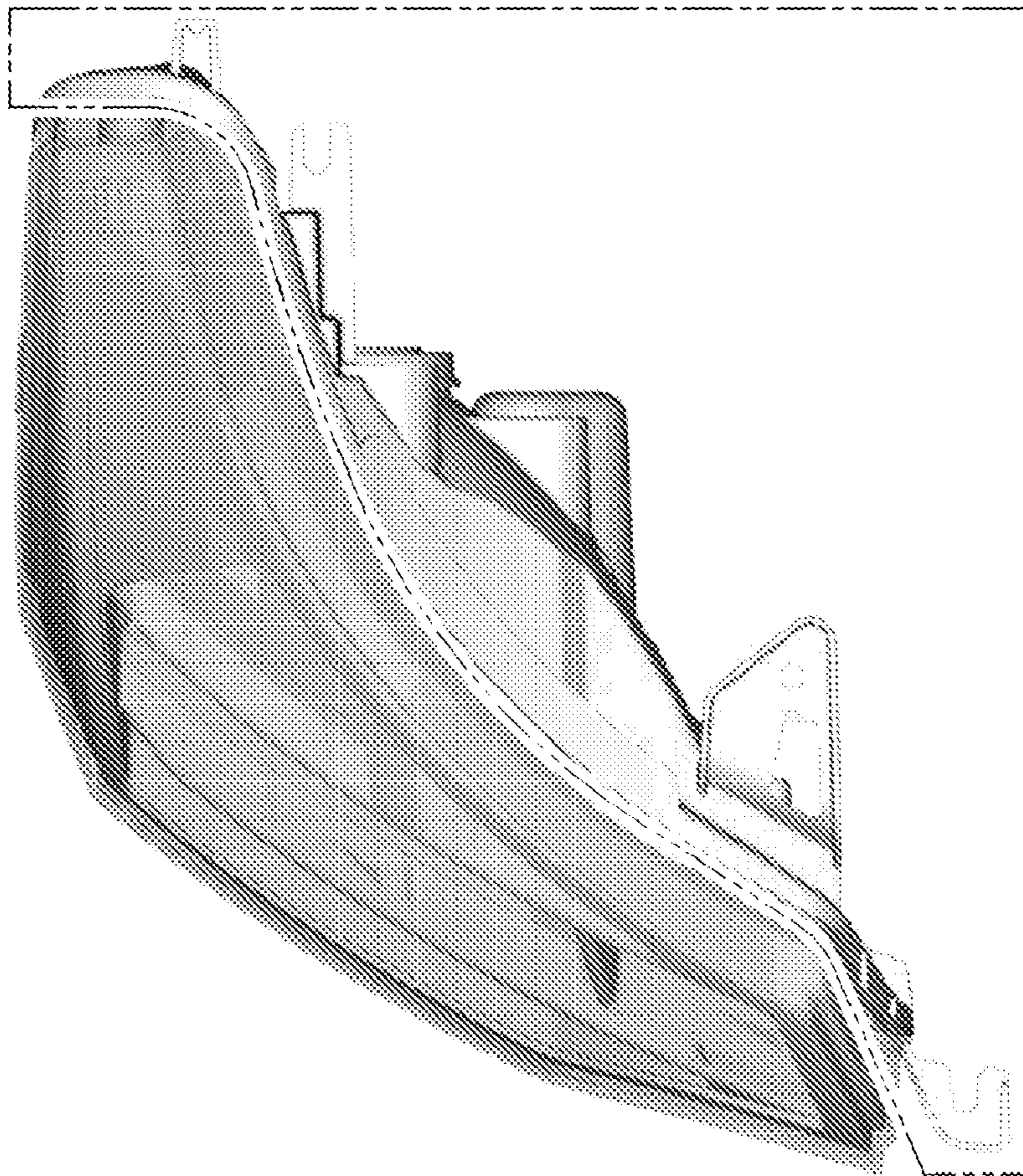
*Figure 1*



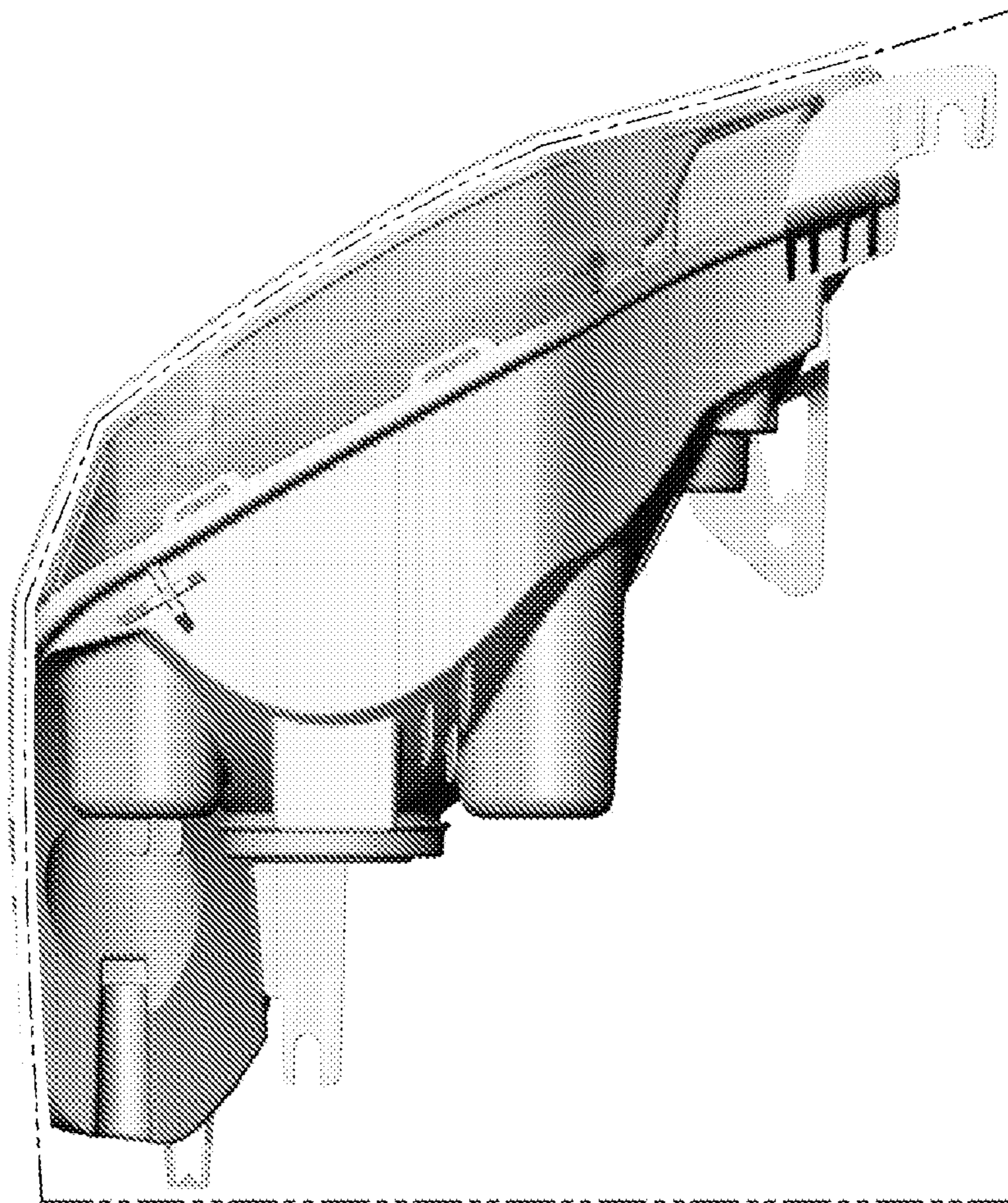
*Figure 2*



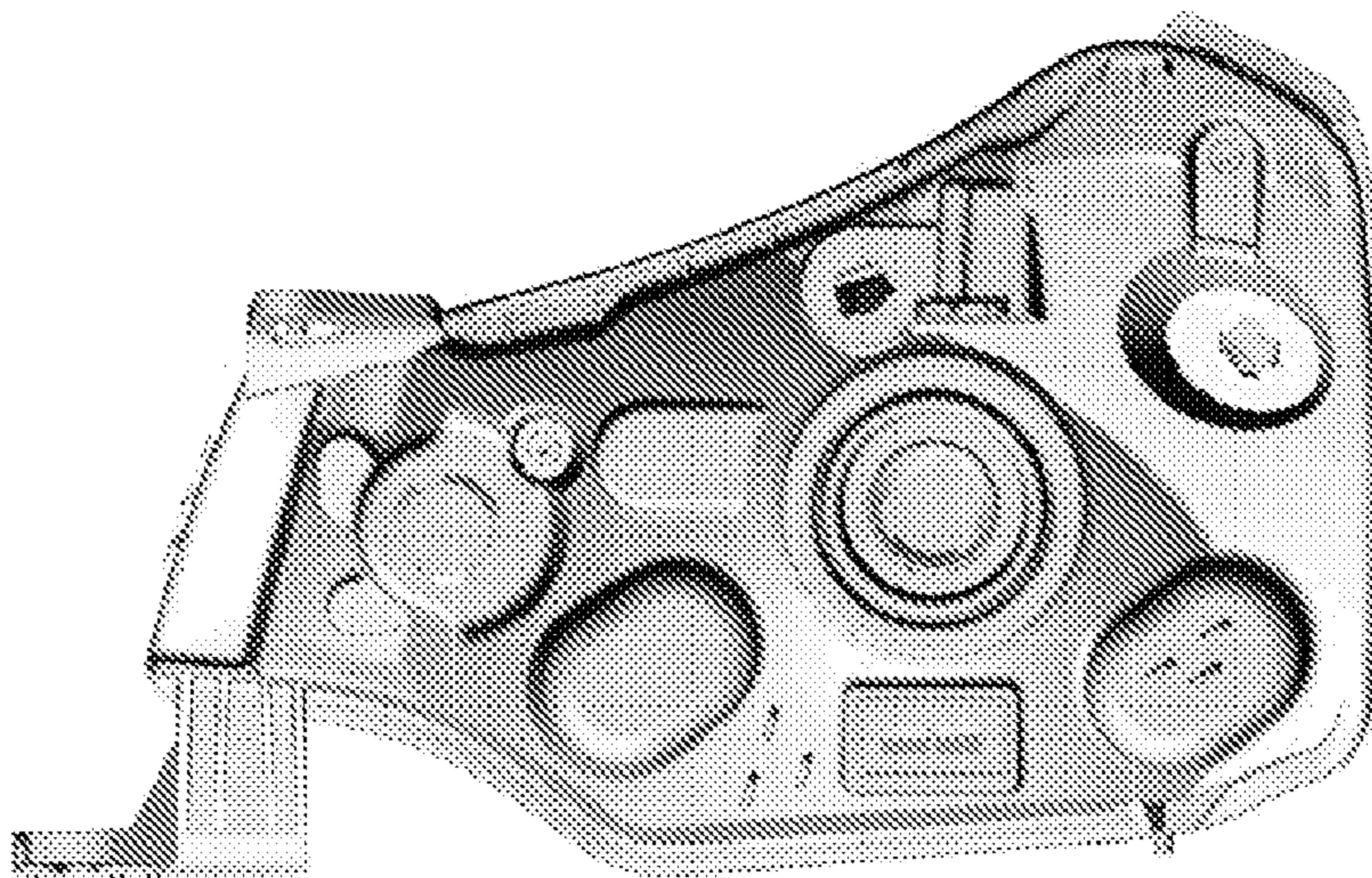
*Figure 3*



*Figure 4*



*Figure 5*



*Figure 6*