



(12) **United States Design Patent**
Itaya et al.

(10) **Patent No.:** **US D545,461 S**
(45) **Date of Patent:** **** Jun. 26, 2007**

(54) **LENS**

(75) Inventors: **Asao Itaya**, Gardena, CA (US);
Damien B. Basset, Los Angeles, CA (US); **Hideaki Yamazumi**, Rolling Hills Estate, CA (US); **Udo Karl Heinz Kolter**, Redondo Beach, CA (US); **Munehiro Sugimoto**, Torrance, CA (US); **Anthony Peter Mascadri**, Mechanicsburg, OH (US)

(73) Assignee: **Honda Motor Company, Ltd.**, Tokyo (JP)

(**) Term: **14 Years**

(21) Appl. No.: **29/209,059**

(22) Filed: **Jul. 9, 2004**

(51) **LOC (8) Cl.** **26-06**

(52) **U.S. Cl.** **D26/28**

(58) **Field of Classification Search** D26/28-36;
362/459-468, 475-478, 485-487

See application file for complete search history.

(56) **References Cited**

U.S. PATENT DOCUMENTS

D483,889 S * 12/2003 Chen D26/28

(Continued)

Primary Examiner—Marcus A. Jackson

(74) *Attorney, Agent, or Firm*—Ulmer & Berne LLP

(57) **CLAIM**

The ornamental design for a lens, as shown and described.

DESCRIPTION

FIG. 1 is a front perspective view of a first embodiment of the lens;

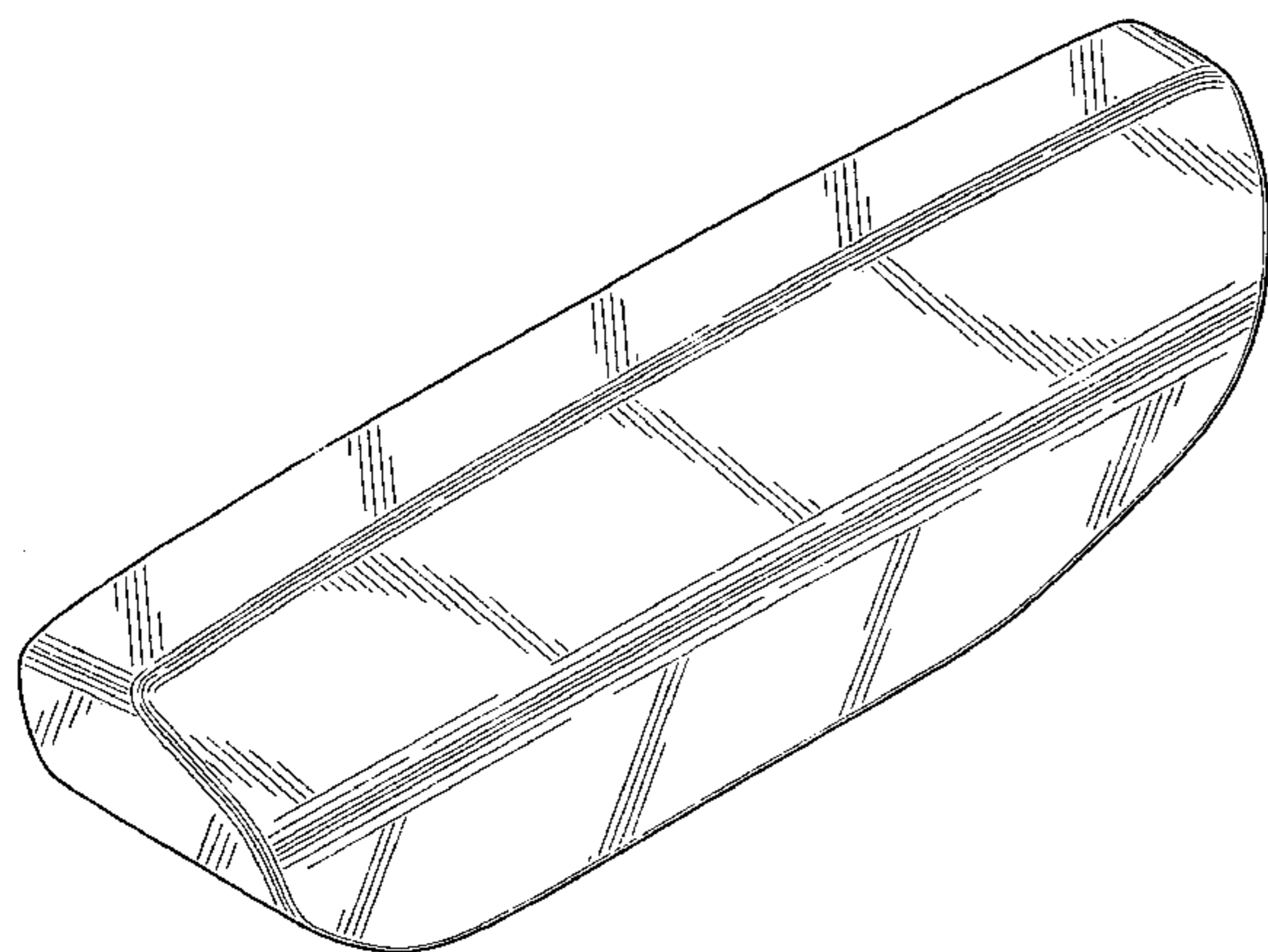


FIG. 2 is a front elevational view of the lens of FIG. 1;

FIG. 3 is a top plan view of the lens of FIG. 1;

FIG. 4 is a bottom plan view of the lens of FIG. 1;

FIG. 5 is a left side elevational view of the lens of FIG. 1;

FIG. 6 is a right side elevational view of the lens of FIG. 1;

FIG. 7 is a rear elevational view of the lens of FIG. 1;

FIG. 8 is a front perspective view of a second embodiment of the lens depicting outside surfaces of the lens, wherein certain ornamentation underlying the outside surfaces is visible through the lens;

FIG. 9 is a front elevational view of the lens of FIG. 8 depicting outside surfaces of the lens, wherein certain ornamentation underlying the outside surfaces is visible through the lens;

FIG. 10 is a top plan view of the lens of FIG. 8 depicting outside surfaces of the lens, wherein certain ornamentation underlying the outside surfaces is visible through the lens;

FIG. 11 is a bottom plan view of the lens of FIG. 8 depicting outside surfaces of the lens, wherein certain ornamentation underlying the outside surfaces is visible through the lens;

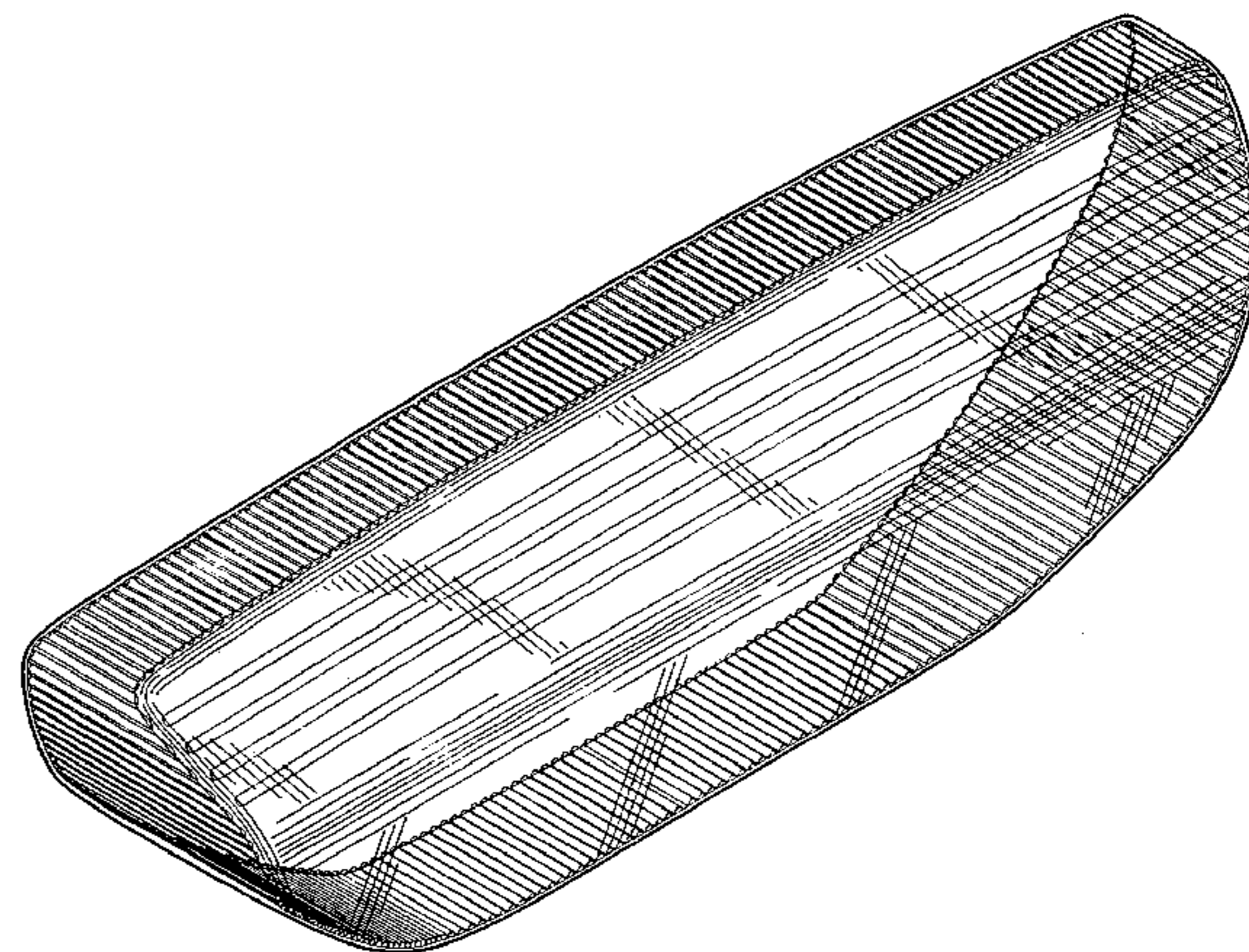
FIG. 12 is a left side elevational view of the lens of FIG. 8 depicting outside surfaces of the lens, wherein certain ornamentation underlying the outside surfaces is visible through the lens;

FIG. 13 is a right side elevational view of the lens of FIG. 8 depicting outside surfaces of the lens, wherein certain ornamentation underlying the outside surfaces is visible through the lens; and,

FIG. 14 is a rear elevational view of the lens of FIG. 8.

The phantom lines and areas shown in the figures are for illustrative purposes only and form no part of the claimed design.

1 Claim, 10 Drawing Sheets



US D545,461 S

Page 2

U.S. PATENT DOCUMENTS

D499,823 S	*	12/2004	Reiss et al.	D26/28	
D517,706 S	*	3/2006	Itaya et al.	D26/28	
					* cited by examiner
D528,685 S	*	9/2006	Yoshida	D26/28	
D537,179 S	*	2/2007	Hsu	D26/28	

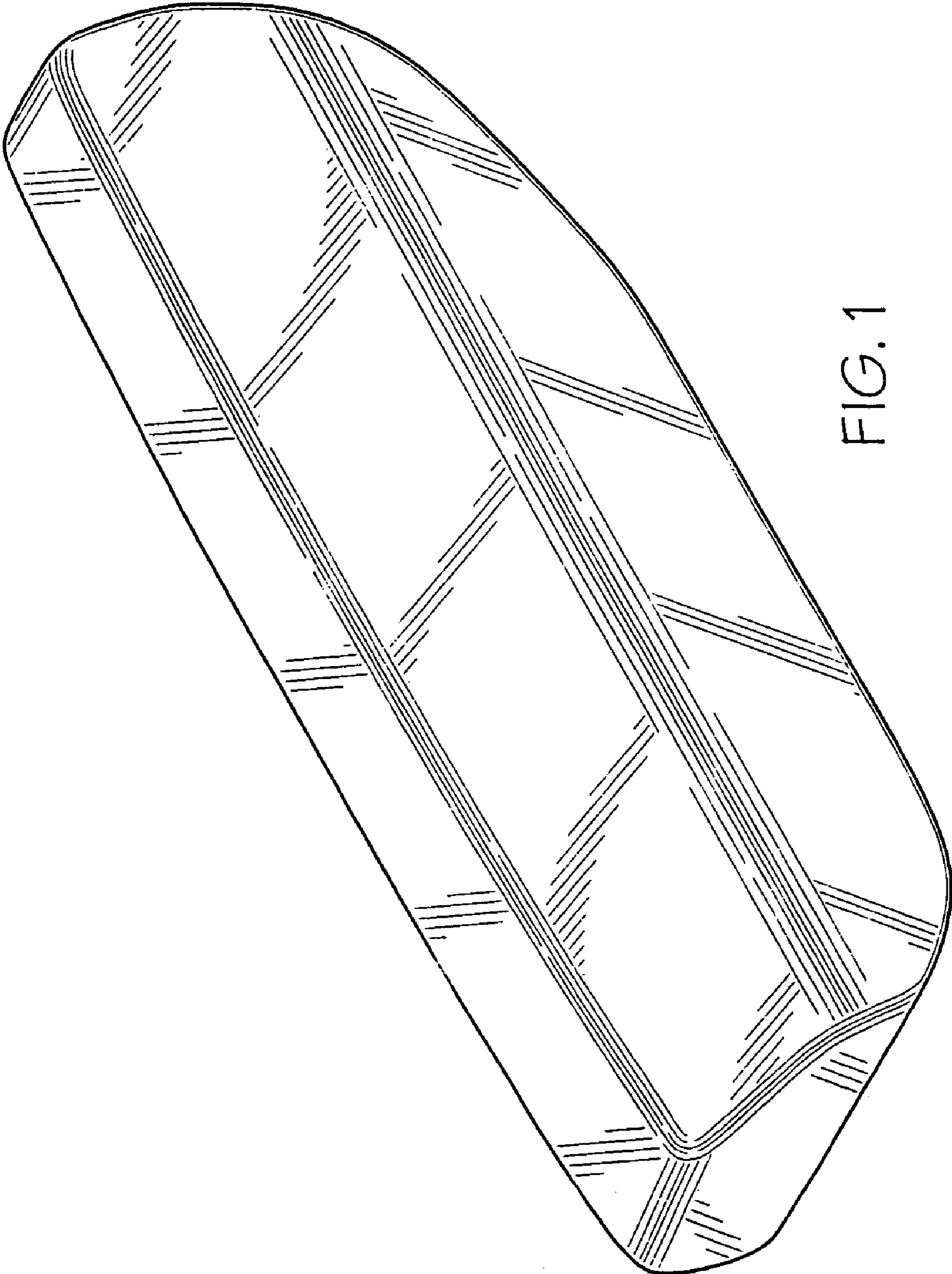


FIG. 1

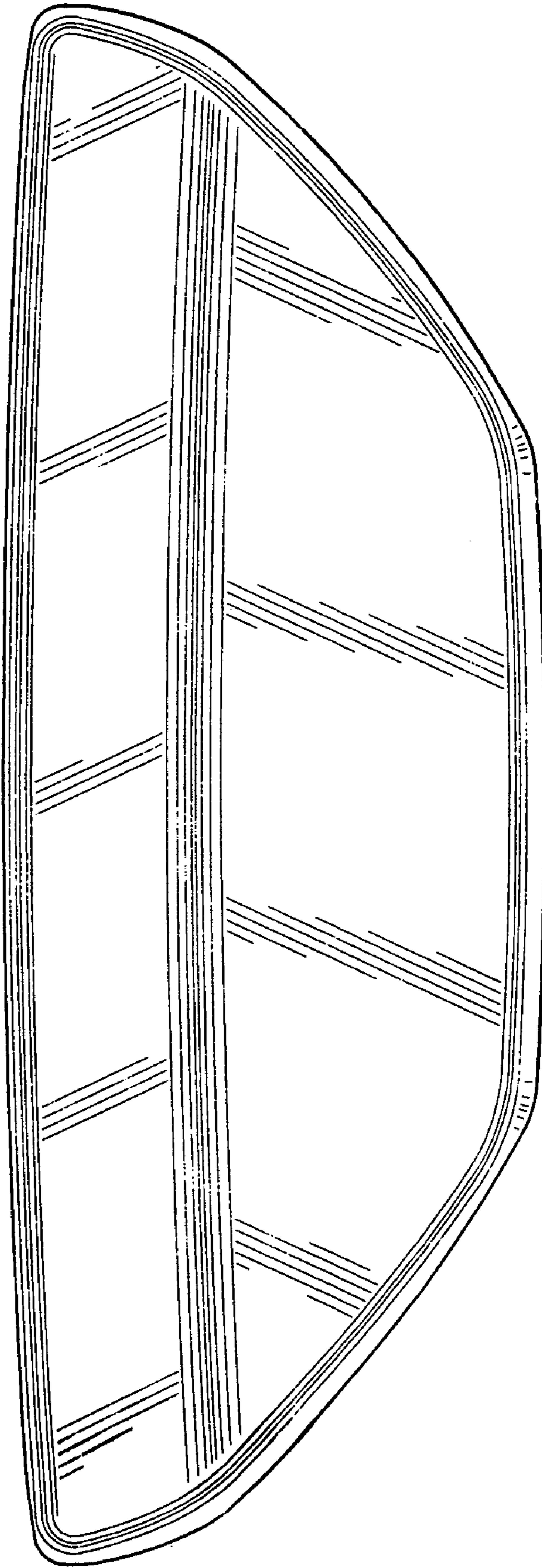


FIG. 2

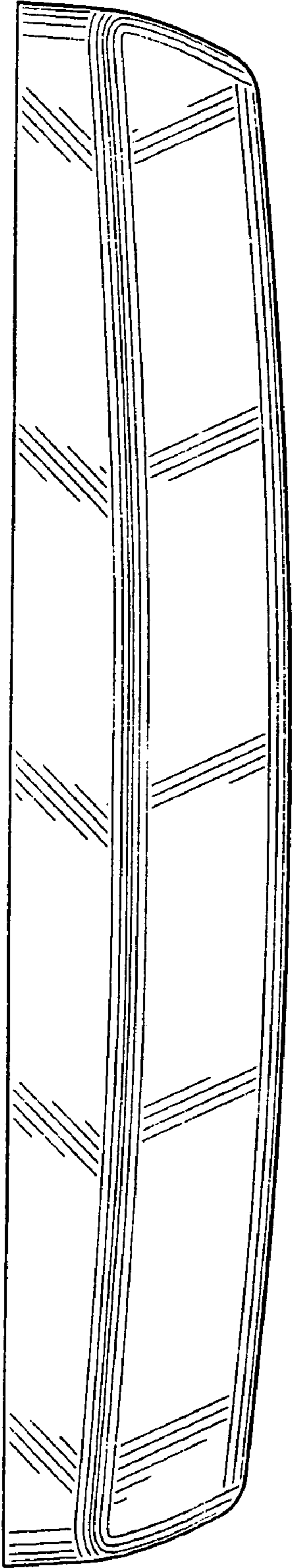


FIG. 3

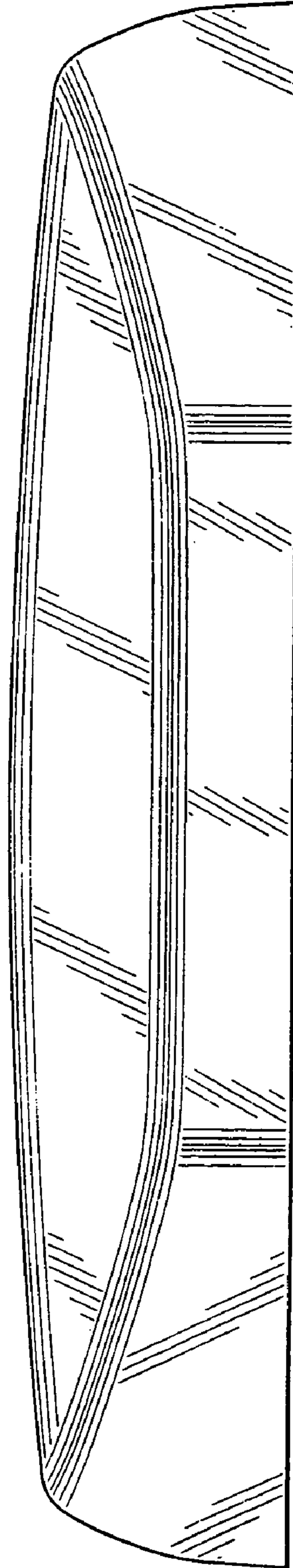


FIG. 4

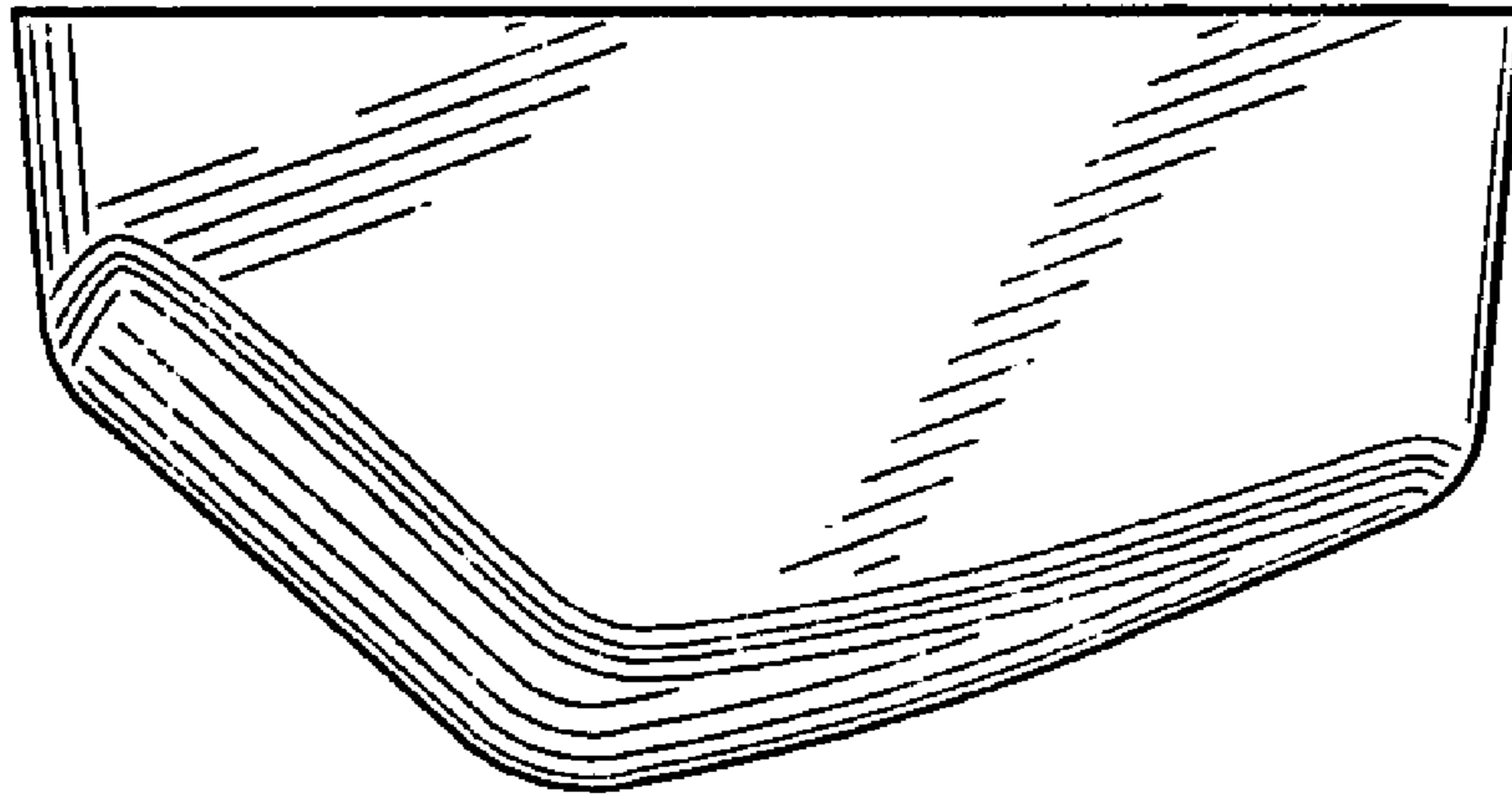


FIG. 6

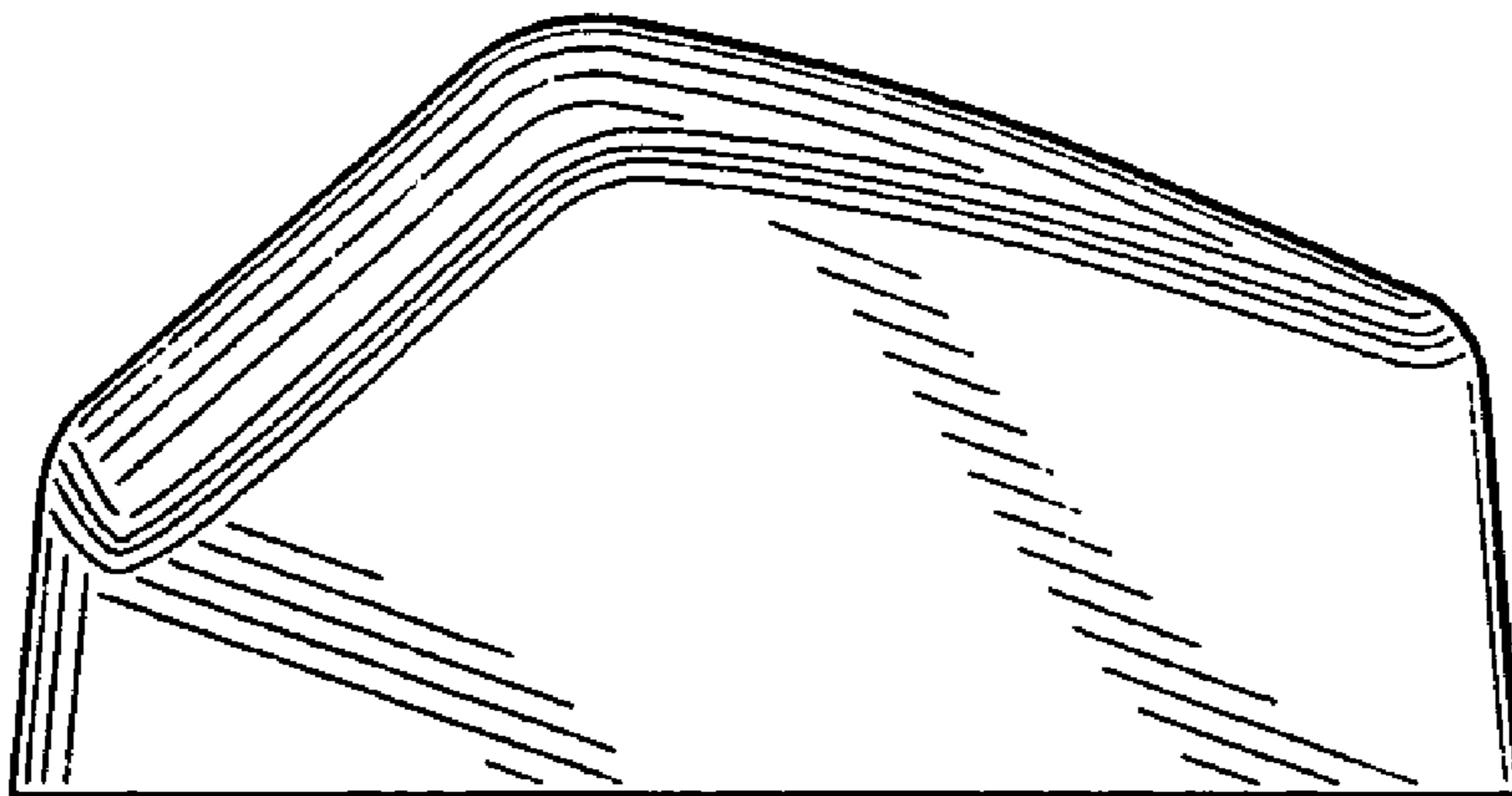


FIG. 5

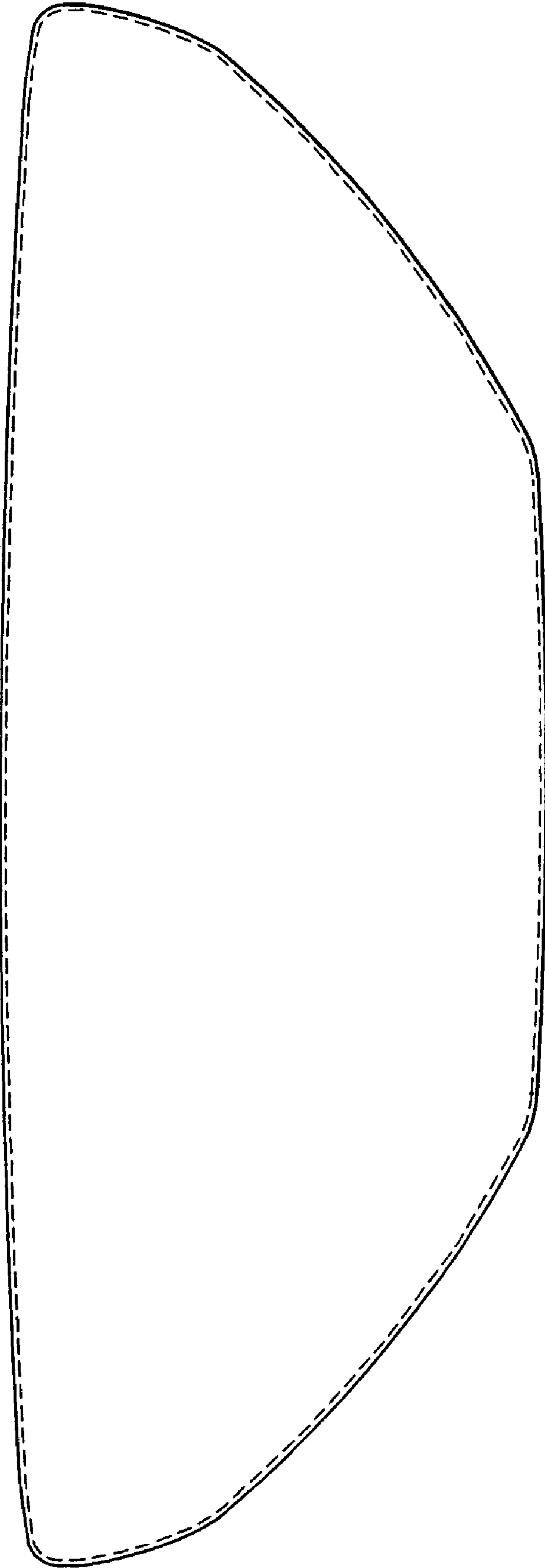


FIG. 7

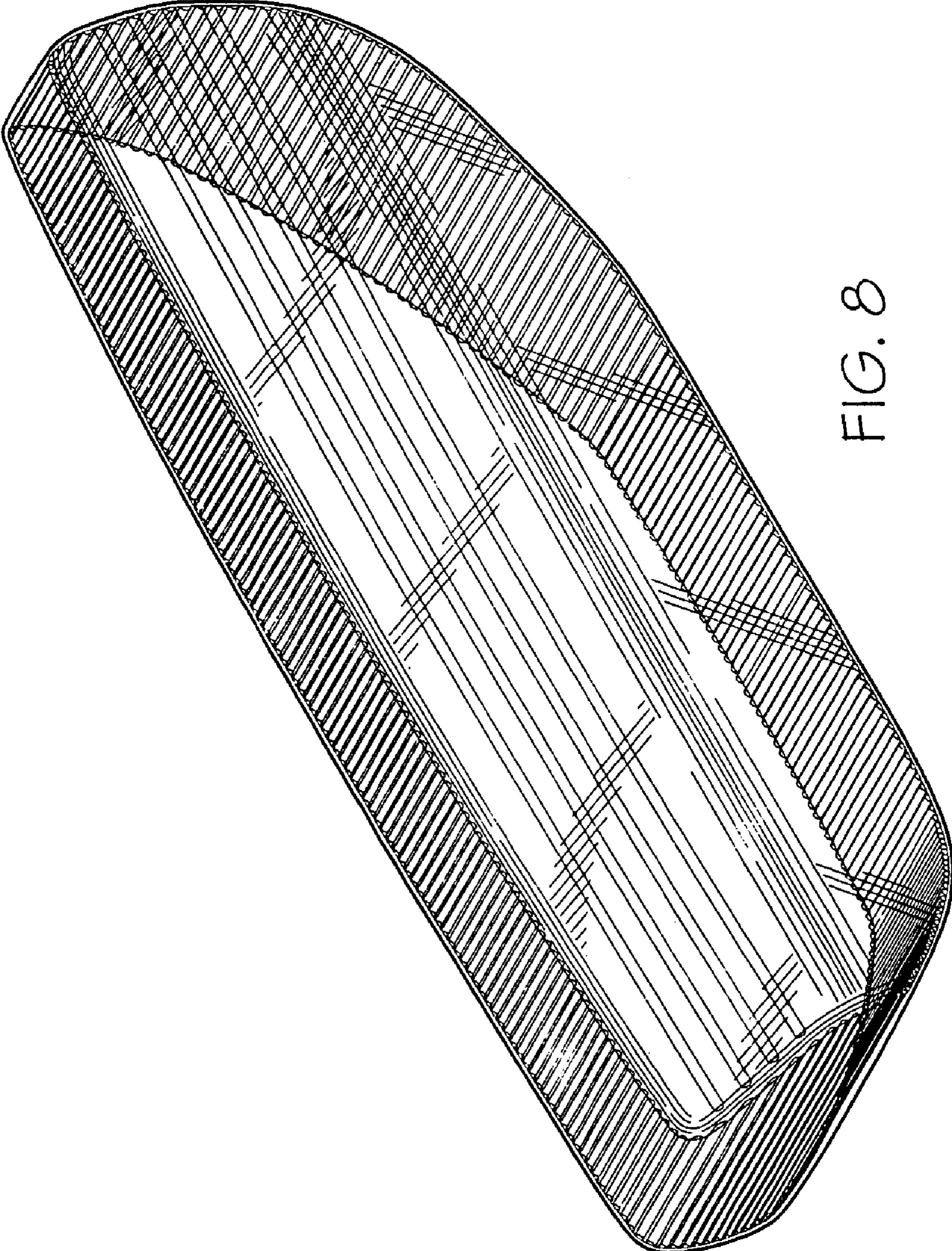


FIG. 8

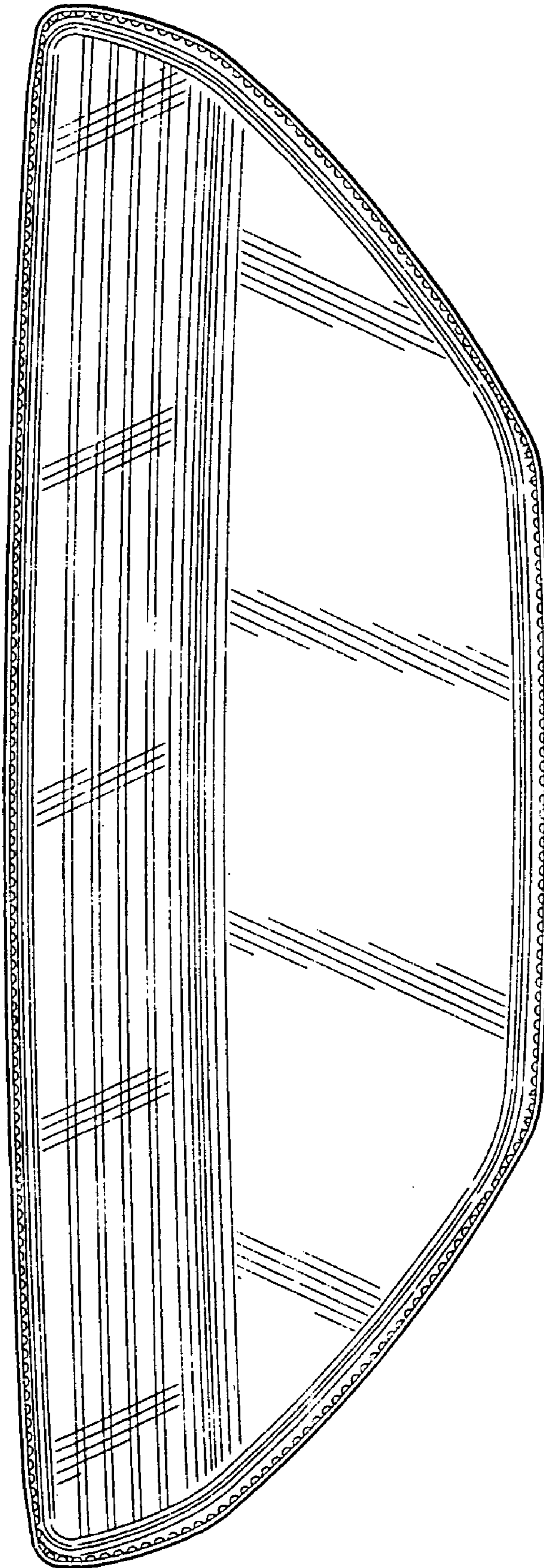


FIG. 9

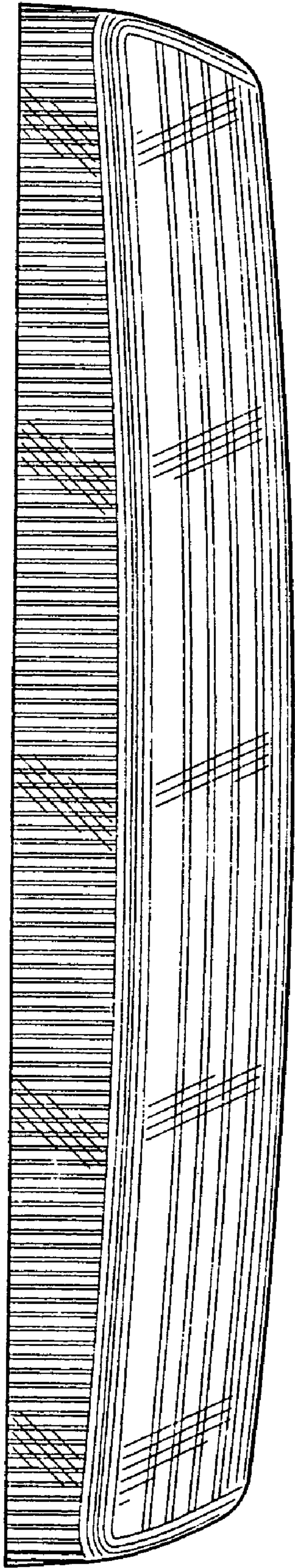


FIG. 10

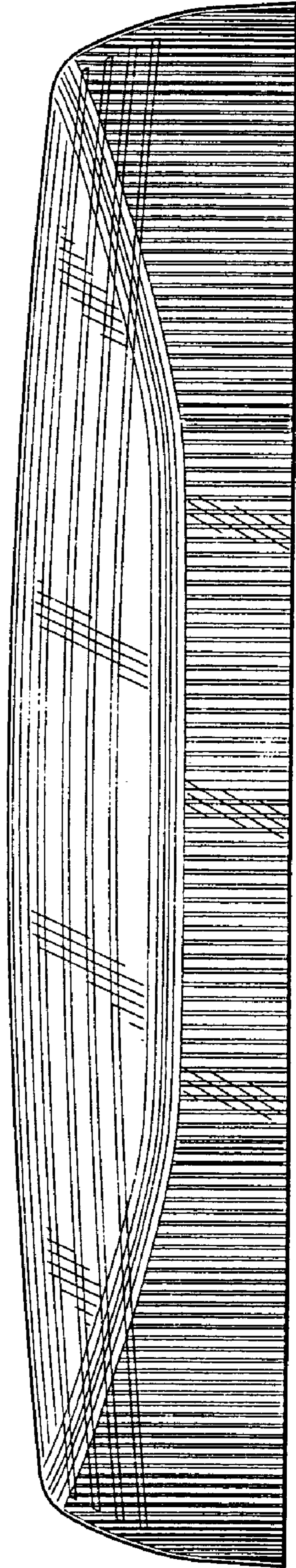


FIG. 11

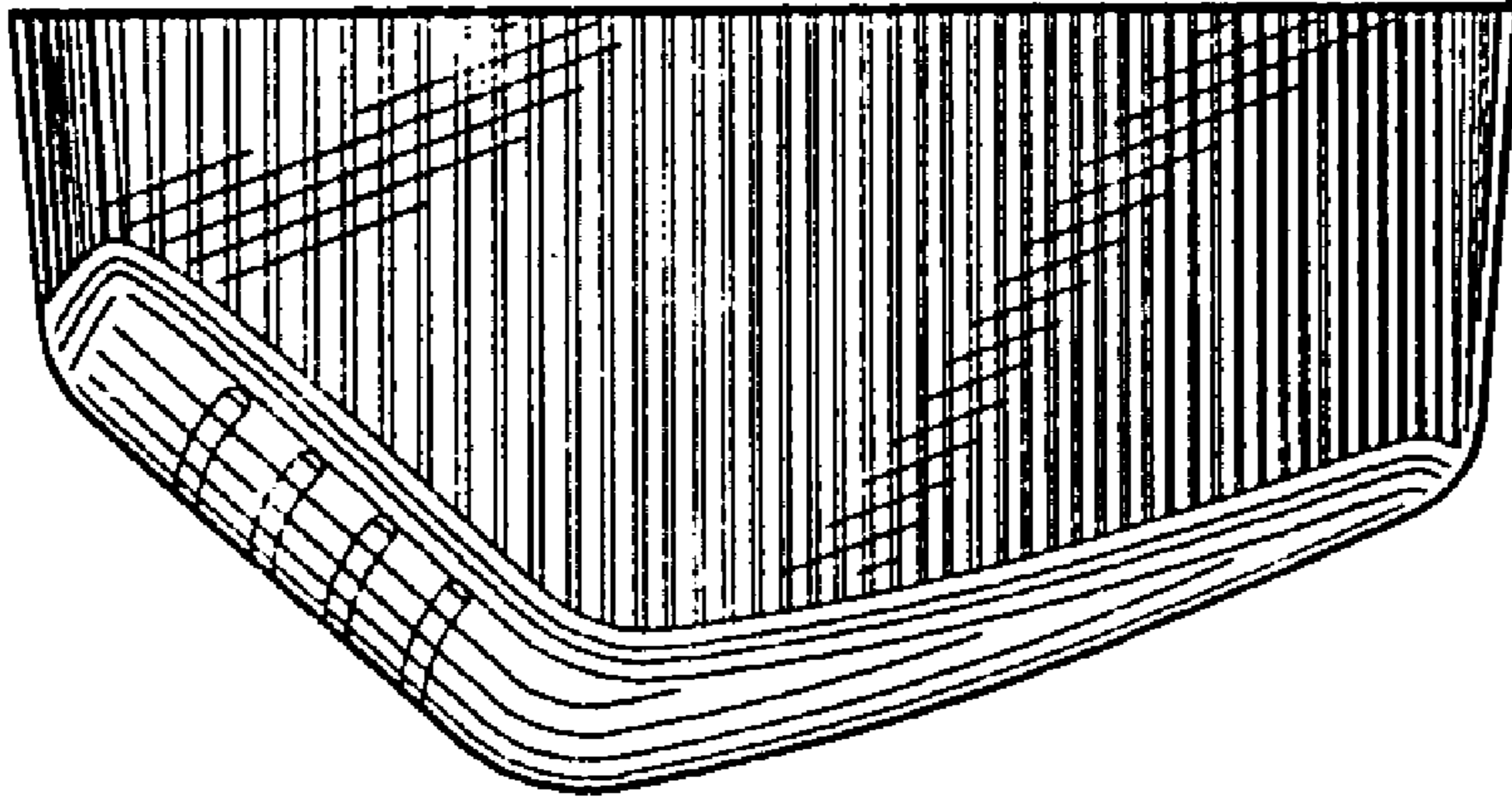


FIG. 13

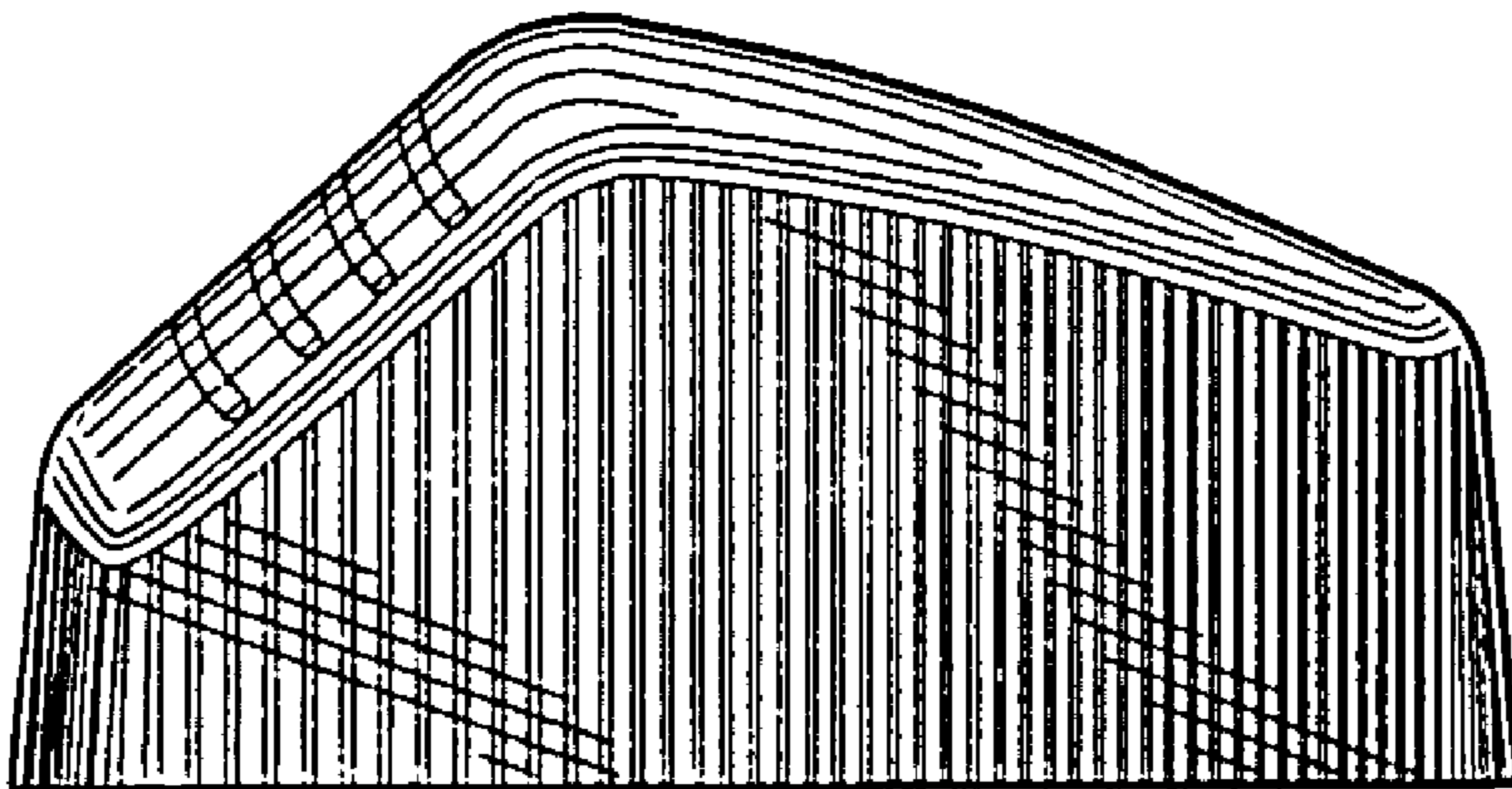


FIG. 12

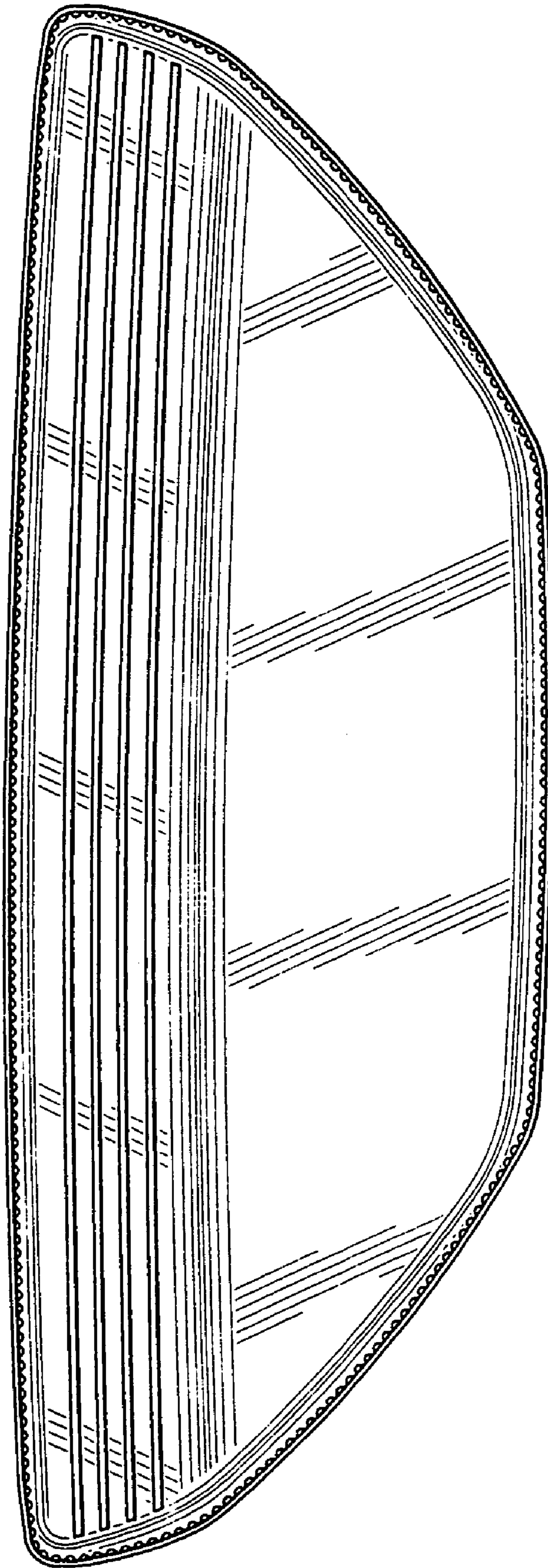


FIG. 14