

US00D545460S

(12) **United States Design Patent**
Mason, II

(10) **Patent No.:** **US D545,460 S**

(45) **Date of Patent:** **** Jun. 26, 2007**

(54) **UNDERWATER TRANSOM LIGHT**

(76) **Inventor:** **Kevin P. Mason, II**, 11 SE. Beech Tree
La., Stuart, FL (US) 34994

(**) **Term:** **14 Years**

(21) **Appl. No.:** **29/250,371**

(22) **Filed:** **Nov. 10, 2006**

(51) **LOC (8) Cl.** **26-06**

(52) **U.S. Cl.** **D26/24; D12/317**

(58) **Field of Classification Search** D26/2,
D26/24, 28, 72, 74, 80-3, 85, 88-9, 113;
D10/111; 362/11, 13, 86, 157, 183, 216,
362/227, 230, 240, 244, 253, 311, 458, 477,
362/611, 612, 812; D12/317
See application file for complete search history.

(56) **References Cited**

U.S. PATENT DOCUMENTS

3,927,314	A *	12/1975	Wiggerman	362/293
4,445,163	A *	4/1984	Ziaylek, Jr.	362/287
D284,109	S *	6/1986	Seal, Jr.	D26/72
4,954,932	A *	9/1990	Isenga	362/477
D315,416	S *	3/1991	Ziaylek et al.	D26/28
D317,053	S *	5/1991	Whitley, II	D26/28
D390,999	S *	2/1998	Gaskins et al.	D26/85

D438,654	S *	3/2001	Reinbach	D26/28
D456,928	S *	5/2002	Russello et al.	D26/85
D463,875	S *	10/2002	Rogers	D26/28
D484,633	S *	12/2003	Campagna	D26/72
D486,593	S *	2/2004	Griffin	D26/28
D493,551	S *	7/2004	Begin	D26/28

* cited by examiner

Primary Examiner—Alan P. Douglas

Assistant Examiner—Angela J. Lee

(74) *Attorney, Agent, or Firm*—McHale & Slavin PA

(57) **CLAIM**

The ornamental design for a underwater transom light, as shown and described.

DESCRIPTION

FIG. 1 is a top perspective view of the underwater transom light of the instant invention;

FIG. 2 is a bottom elevational view thereof;

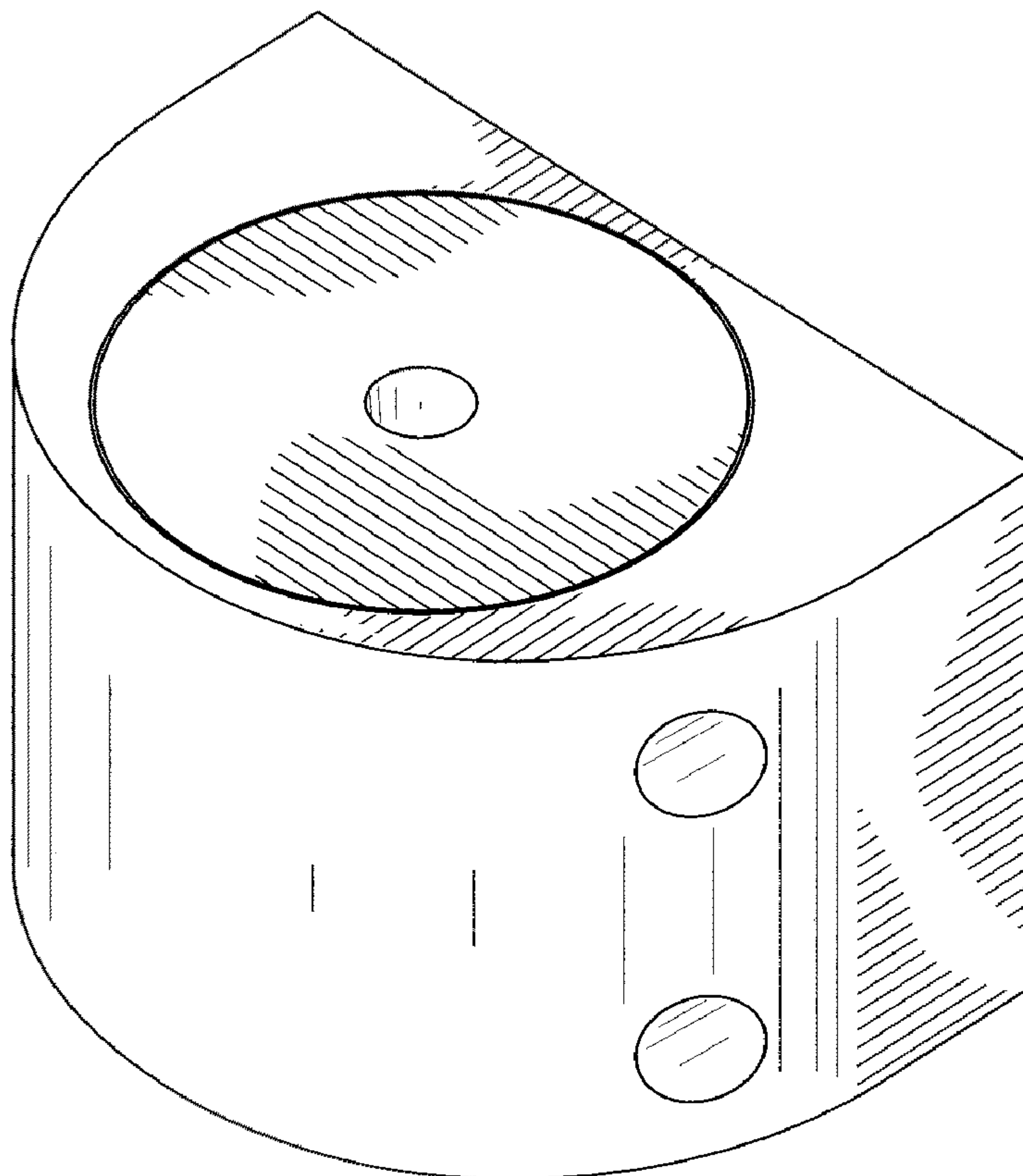
FIG. 3 is a front elevational view thereof;

FIG. 4 is a rear elevational view thereof;

FIG. 5 is a right elevational view thereof, the left elevational view being a mirror image thereof; and,

FIG. 6 is a bottom elevational view thereof.

1 Claim, 3 Drawing Sheets



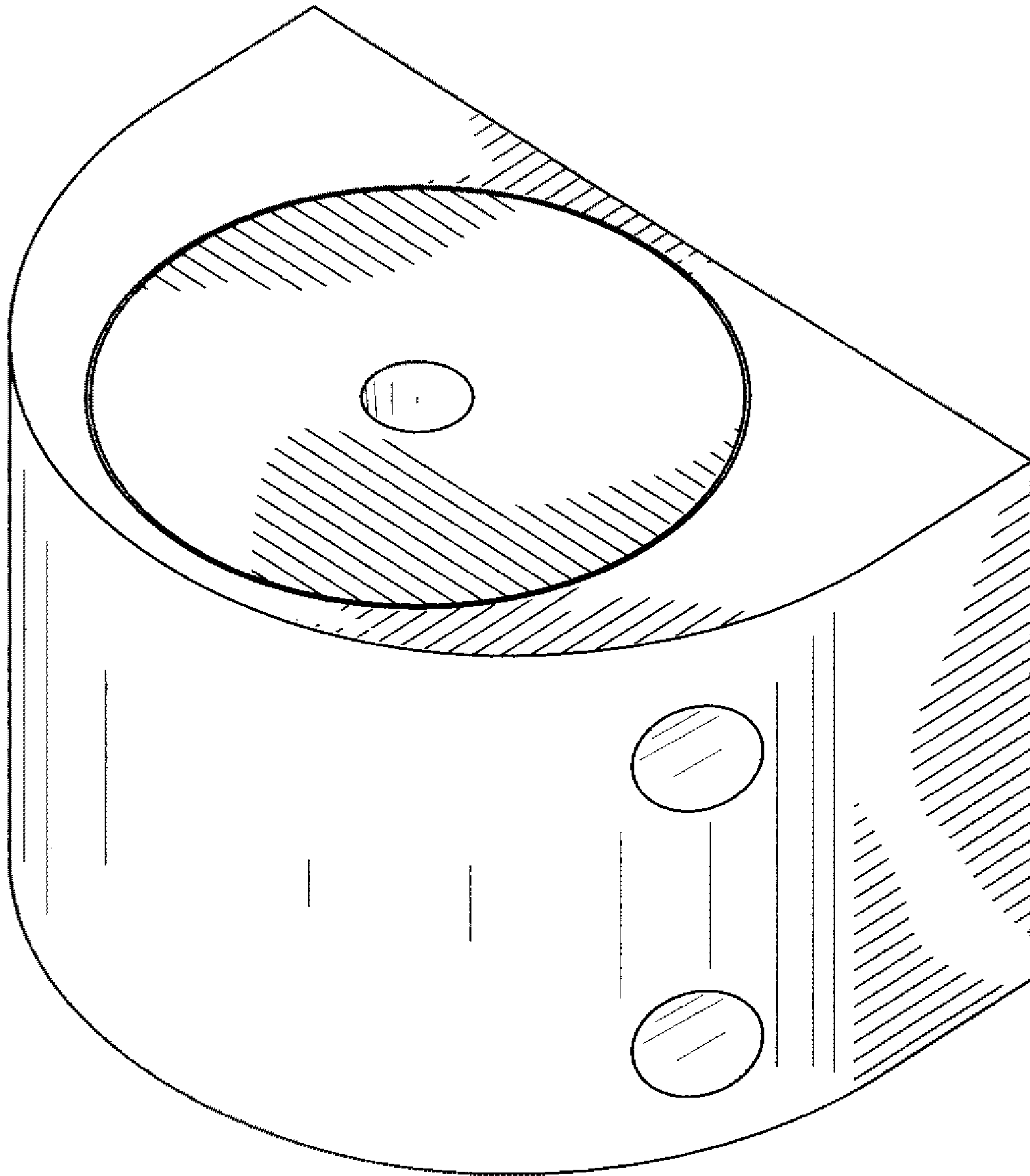


FIG. 1

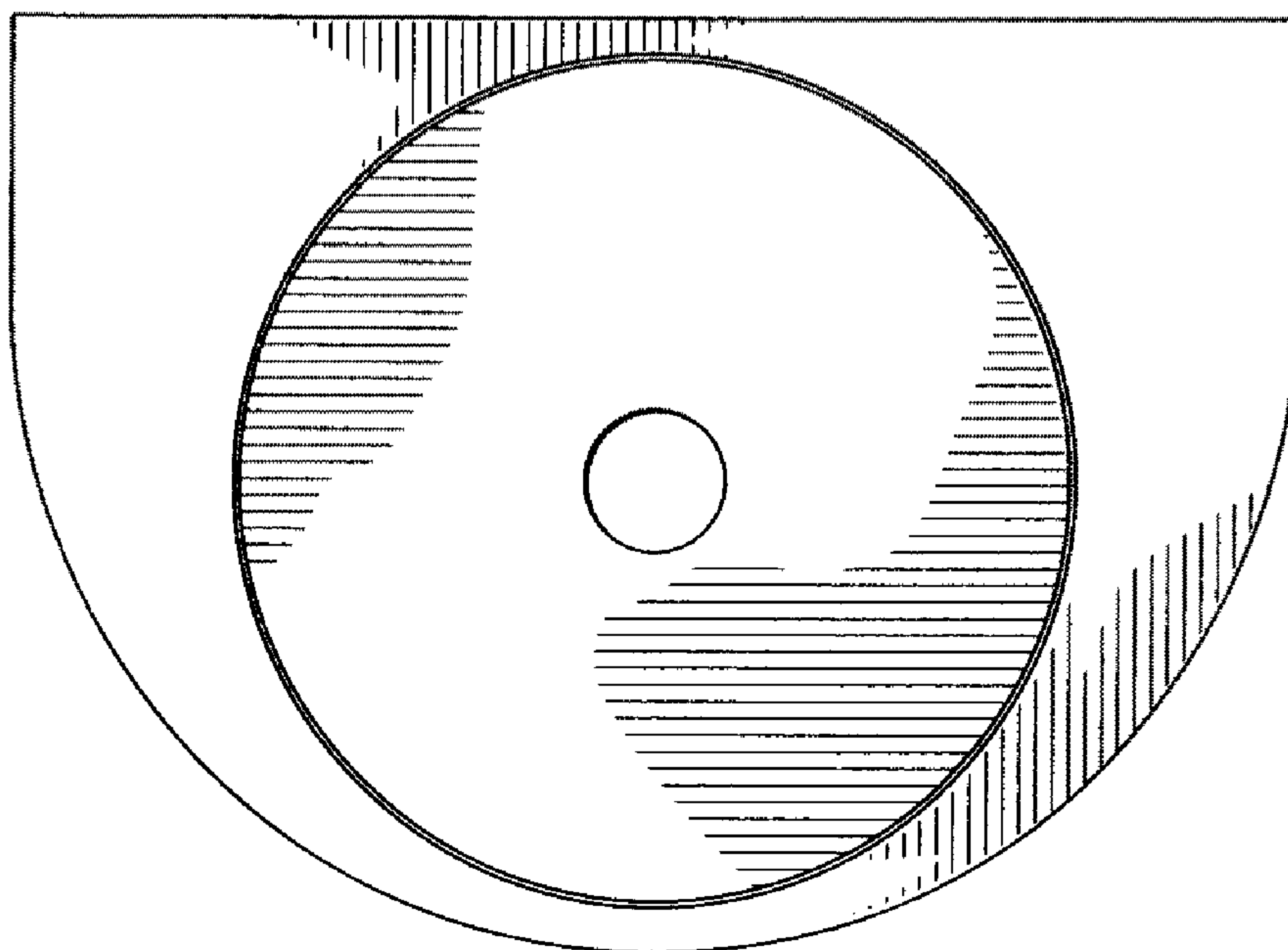


FIG. 2

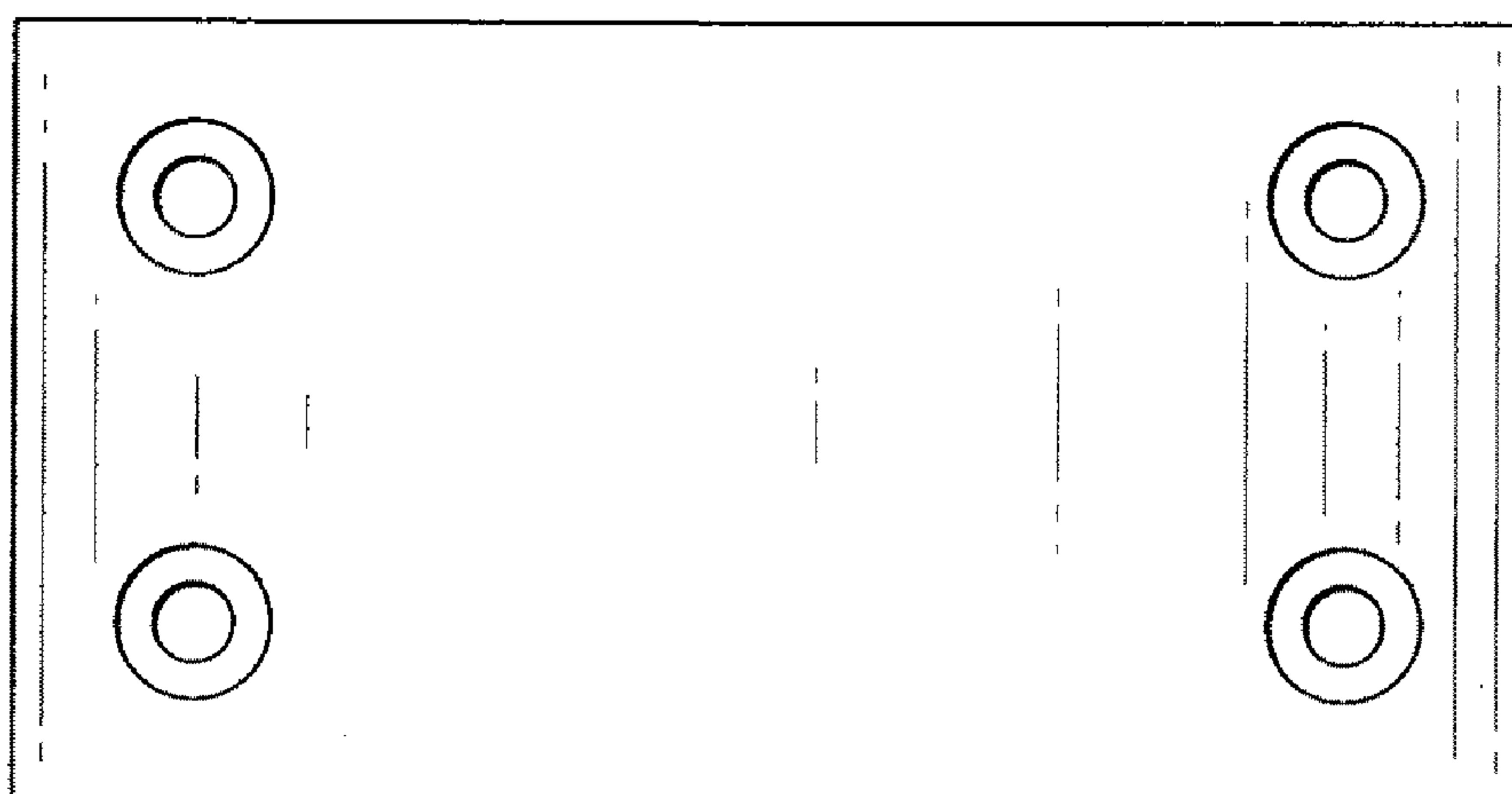


FIG. 3

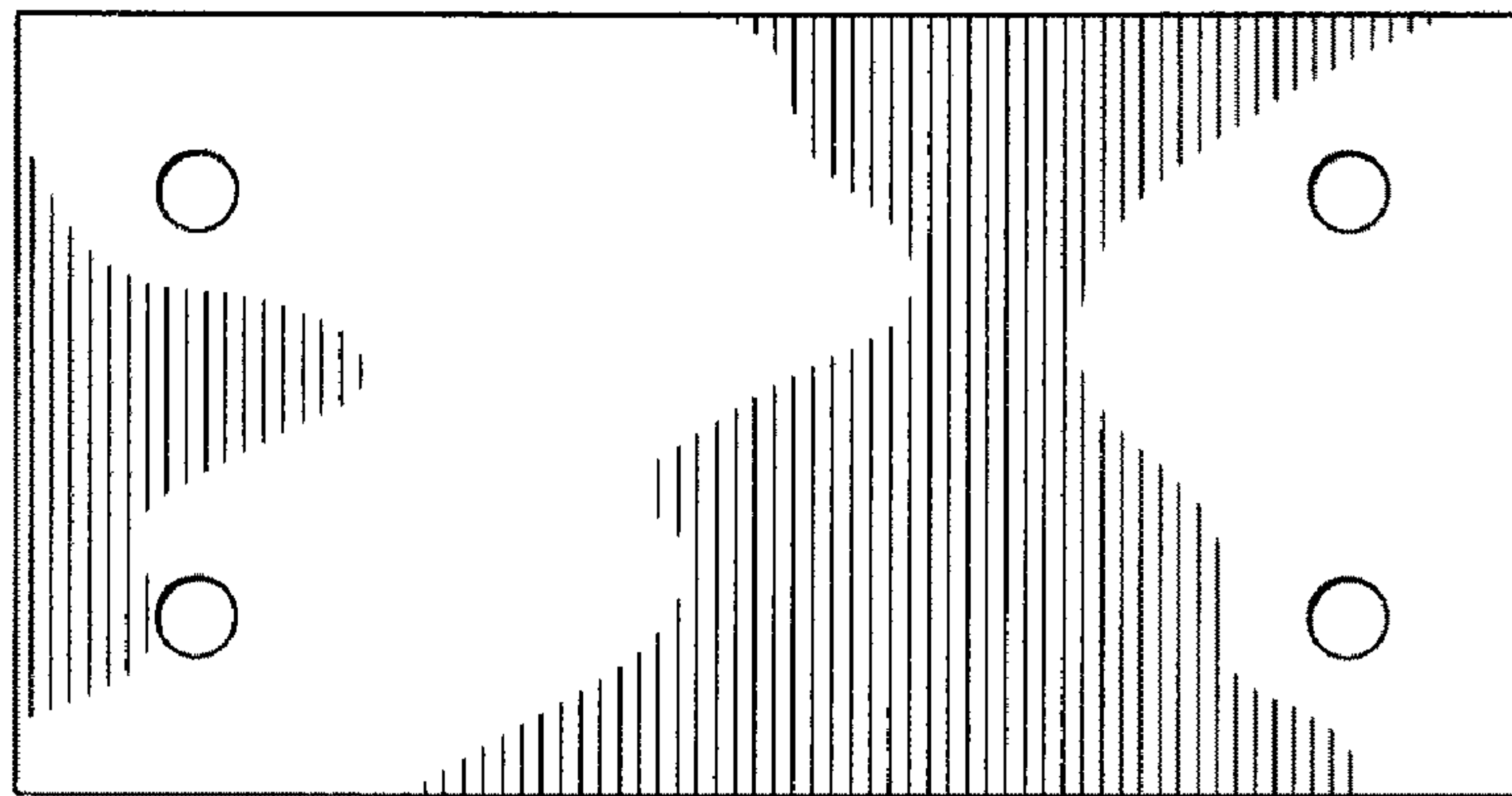


FIG. 4

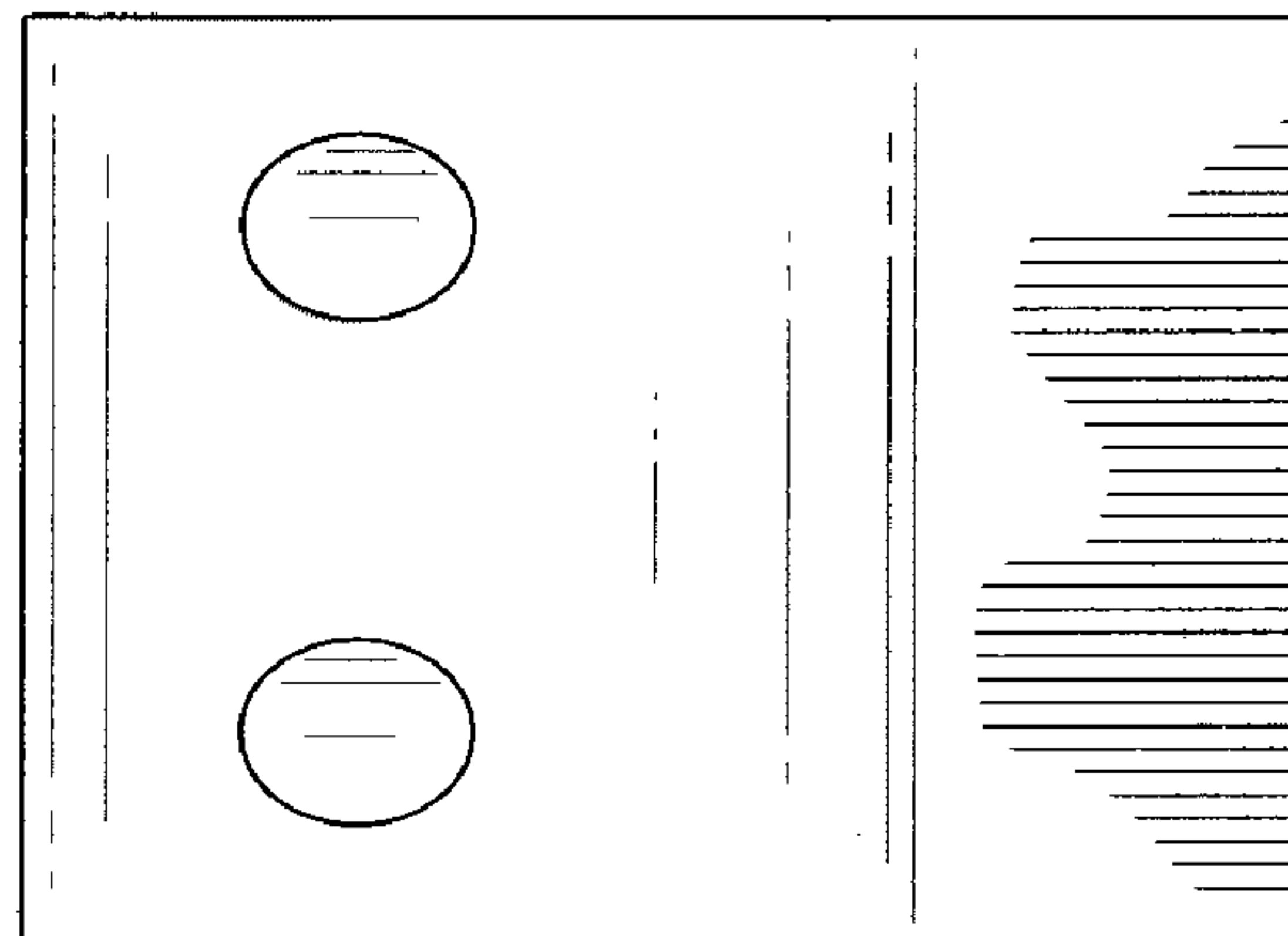


FIG. 5

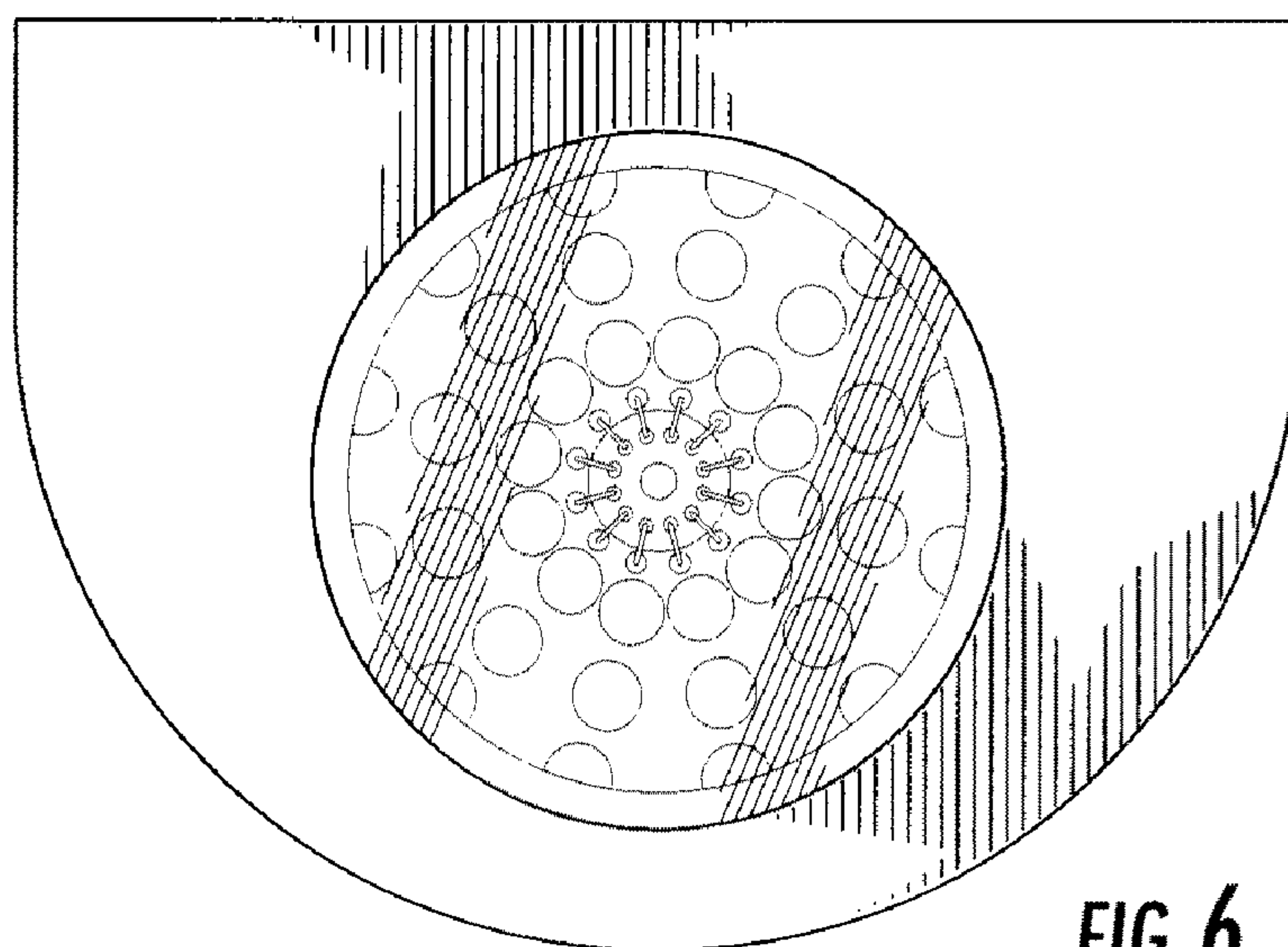


FIG. 6