

US00D545457S

(12) **United States Design Patent**
Chen

(10) **Patent No.:** **US D545,457 S**

(45) **Date of Patent:** **** Jun. 26, 2007**

(54) **SOLID-STATE CUP LAMP**

(75) **Inventor:** **Te-Chung Chen**, 4F, No. 6, Alley 4,
Lane 222, Liancheng Rd., Zhonghe
City, Taipei County 235 (TW)

(73) **Assignees:** **Te-Chung Chen**, Taipei County (TW);
Secure Tech Co., Ltd., Taoyuan County
(TW)

(**) **Term:** **14 Years**

(21) **Appl. No.:** **29/275,416**

(22) **Filed:** **Dec. 22, 2006**

(51) **LOC (8) Cl.** **26-04**

(52) **U.S. Cl.** **D26/2**

(58) **Field of Classification Search** D26/1-4;
313/313, 315, 317, 318, 493; 315/52, 53,
315/56, 57, 58

See application file for complete search history.

(56) **References Cited**

U.S. PATENT DOCUMENTS

D497,439 S * 10/2004 Shaw et al. D26/2

D516,229 S * 2/2006 Tang D26/2
D527,119 S * 8/2006 Maxik et al. D26/2
D529,635 S * 10/2006 Johnson D26/2
D530,836 S * 10/2006 Johnson D26/2

* cited by examiner

Primary Examiner—Marcus A. Jackson

(74) *Attorney, Agent, or Firm*—WPAT, PC.; Anthony King

(57) **CLAIM**

The ornamental design for a solid-state cup lamp, as shown.

DESCRIPTION

FIG. 1 is a front right perspective view of a solid-state cup lamp showing my new design;

FIG. 2 is a front perspective view thereof;

FIG. 3 is a rear perspective view thereof;

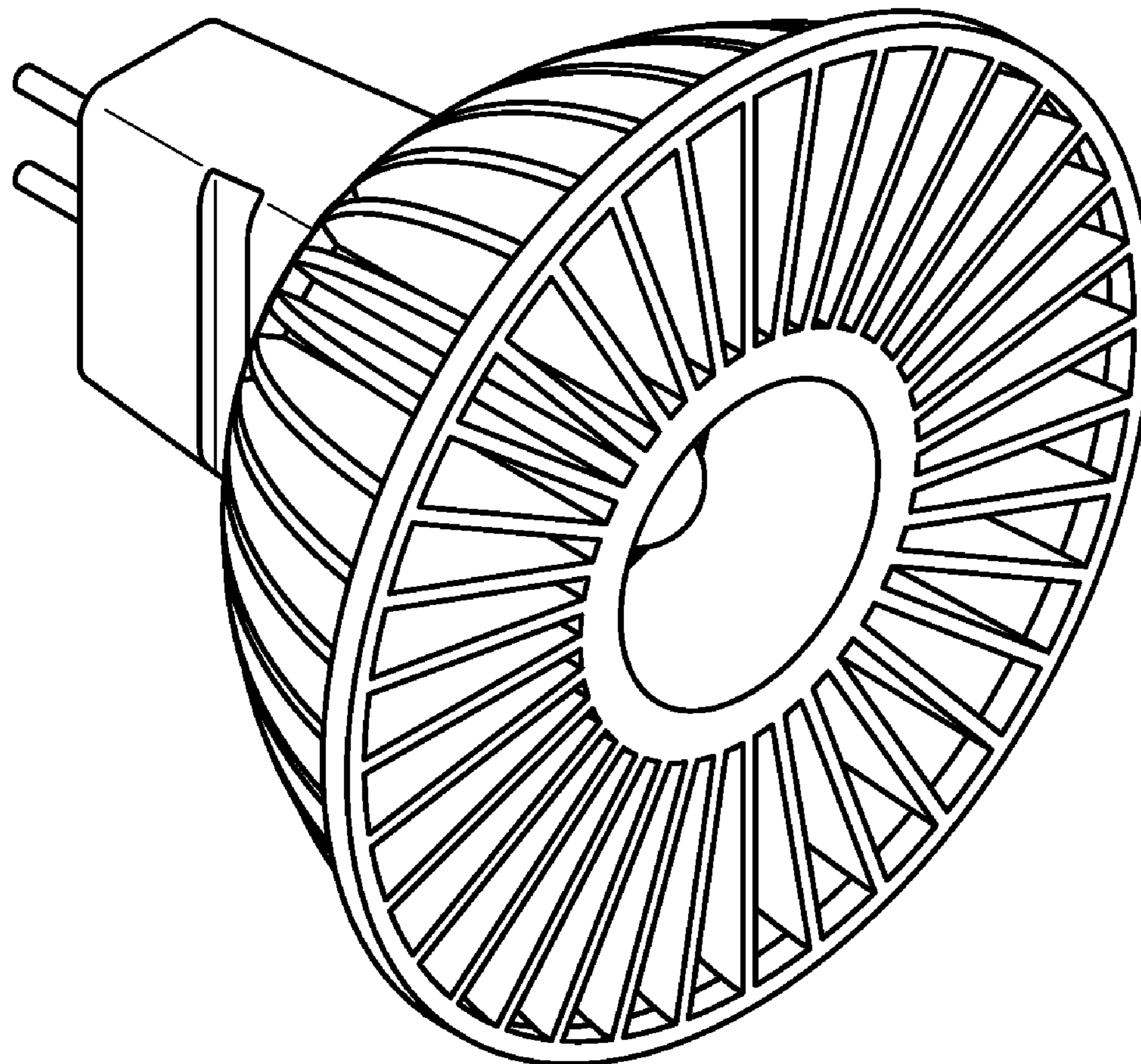
FIG. 4 is a left side elevation view thereof;

FIG. 5 is a right side elevation view thereof;

FIG. 6 is a top plan view thereof; and,

FIG. 7 is a bottom plan view thereof.

1 Claim, 4 Drawing Sheets



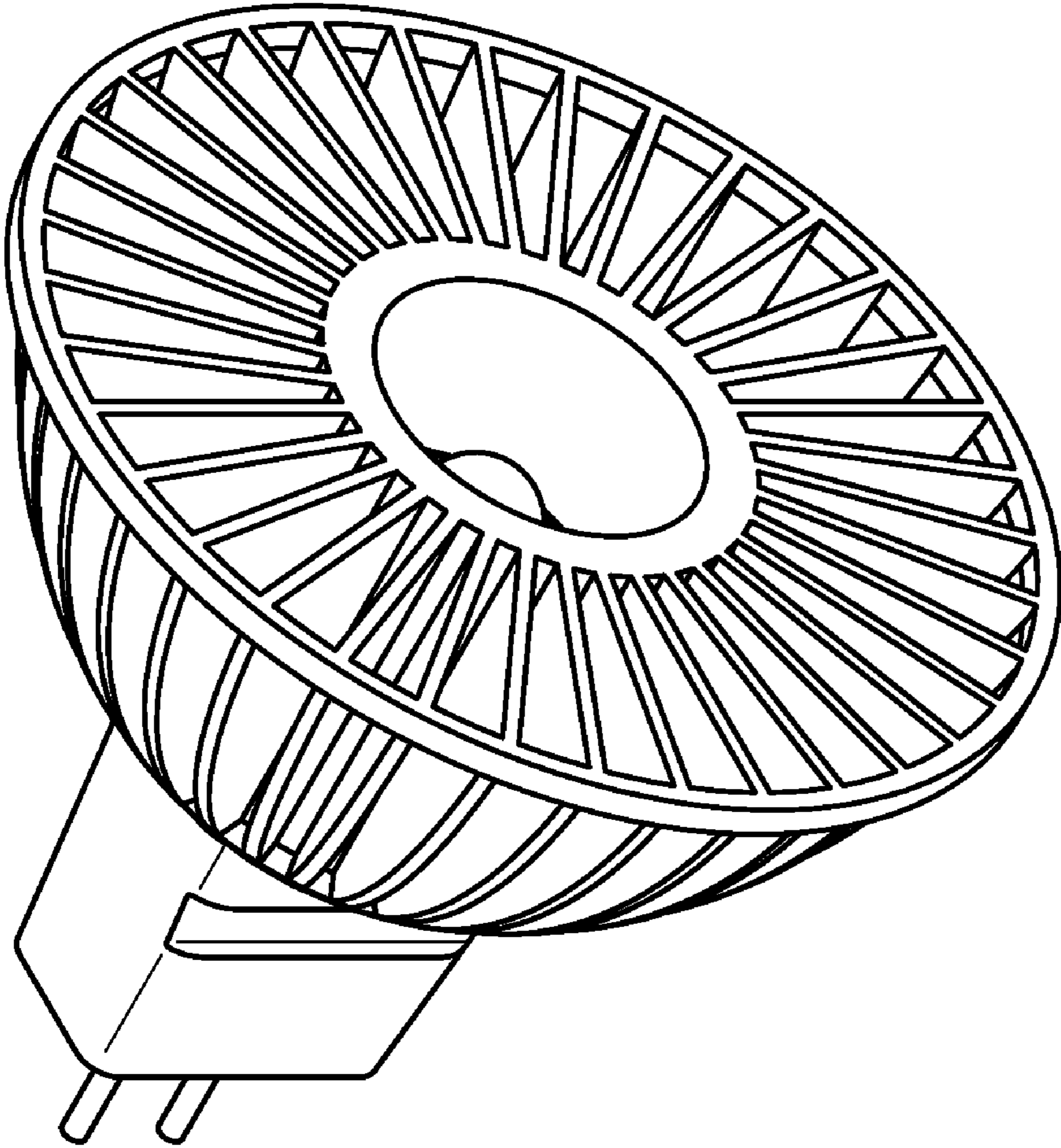


FIG. 1

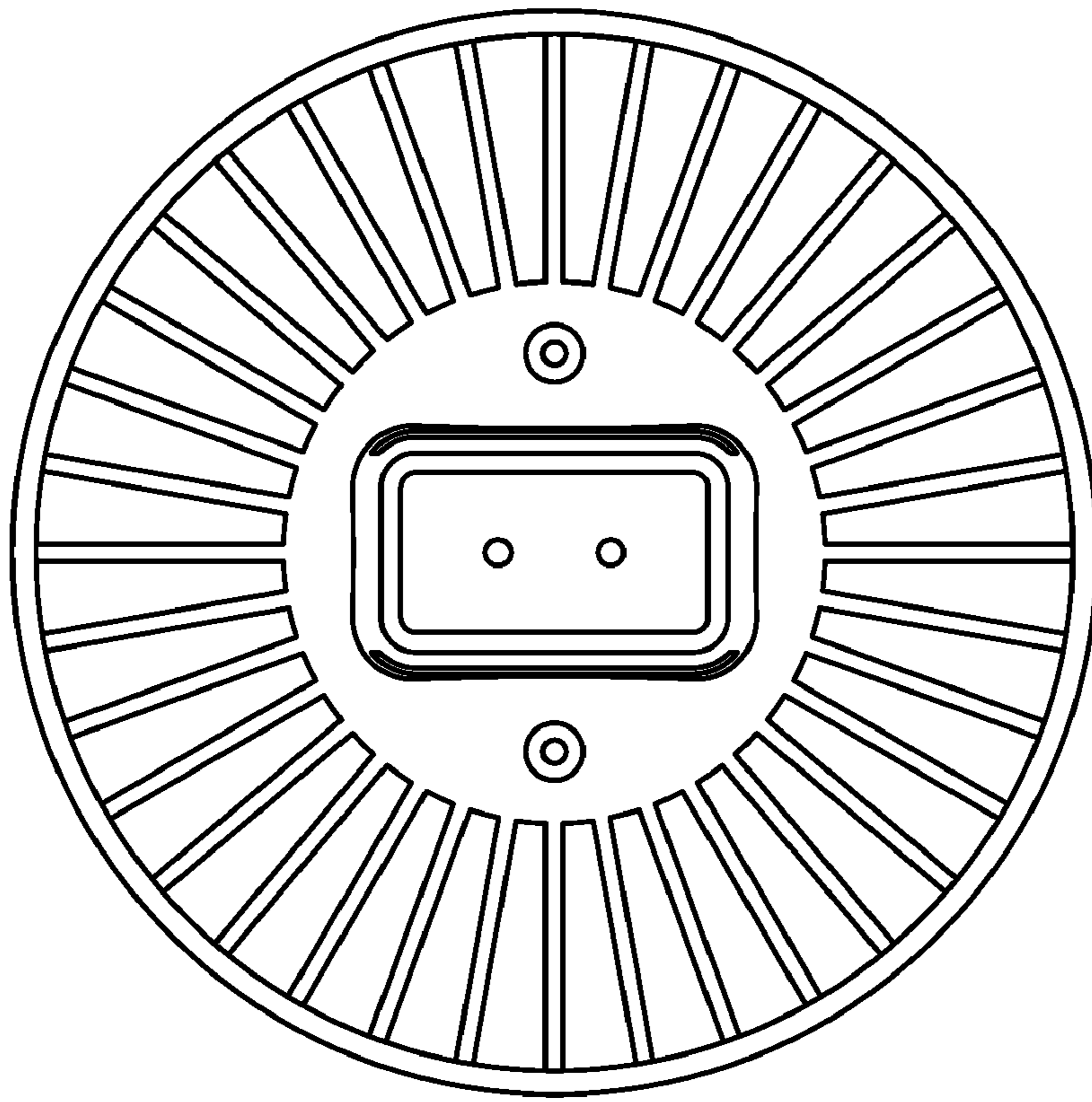


FIG. 3

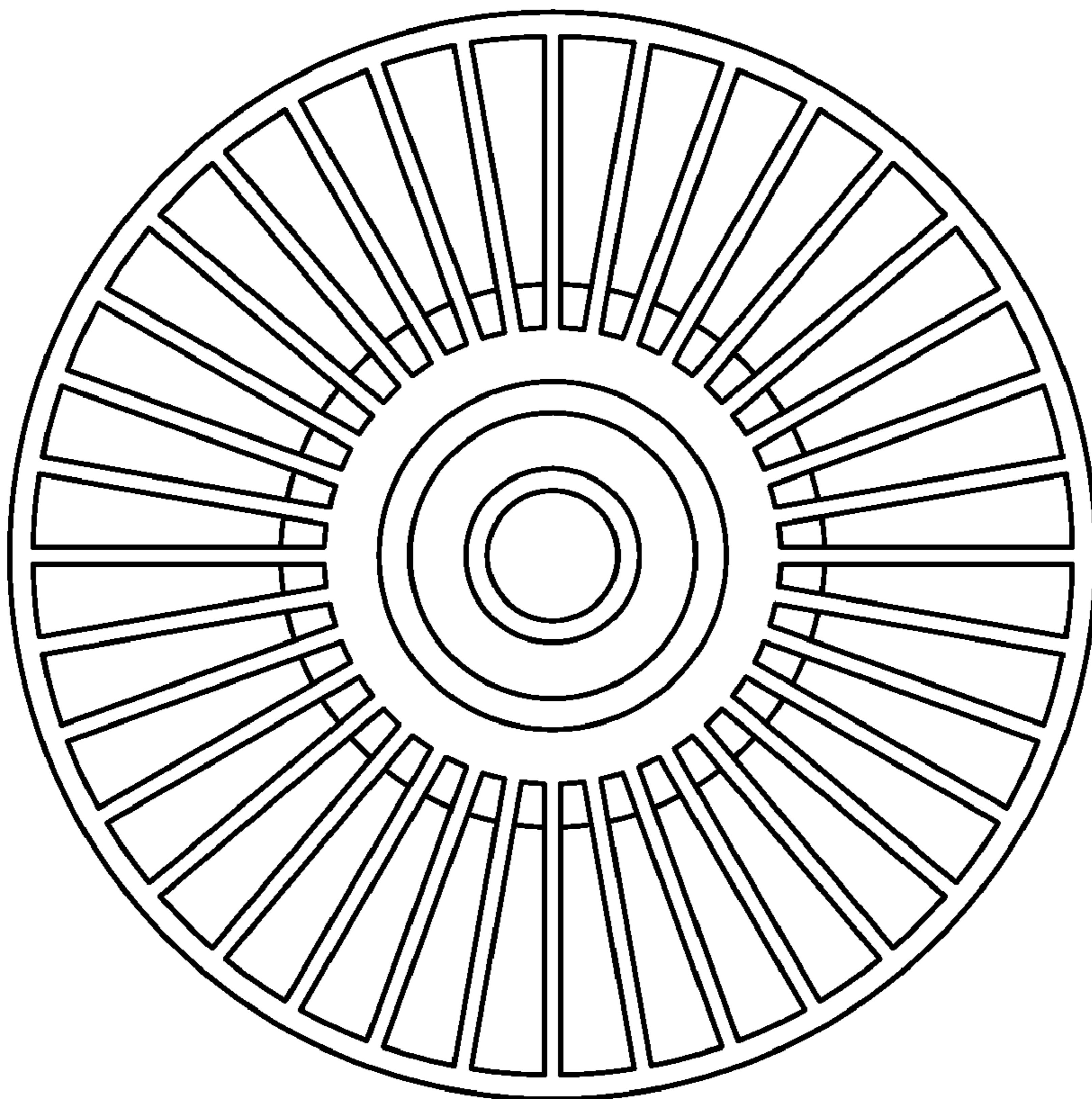


FIG. 2

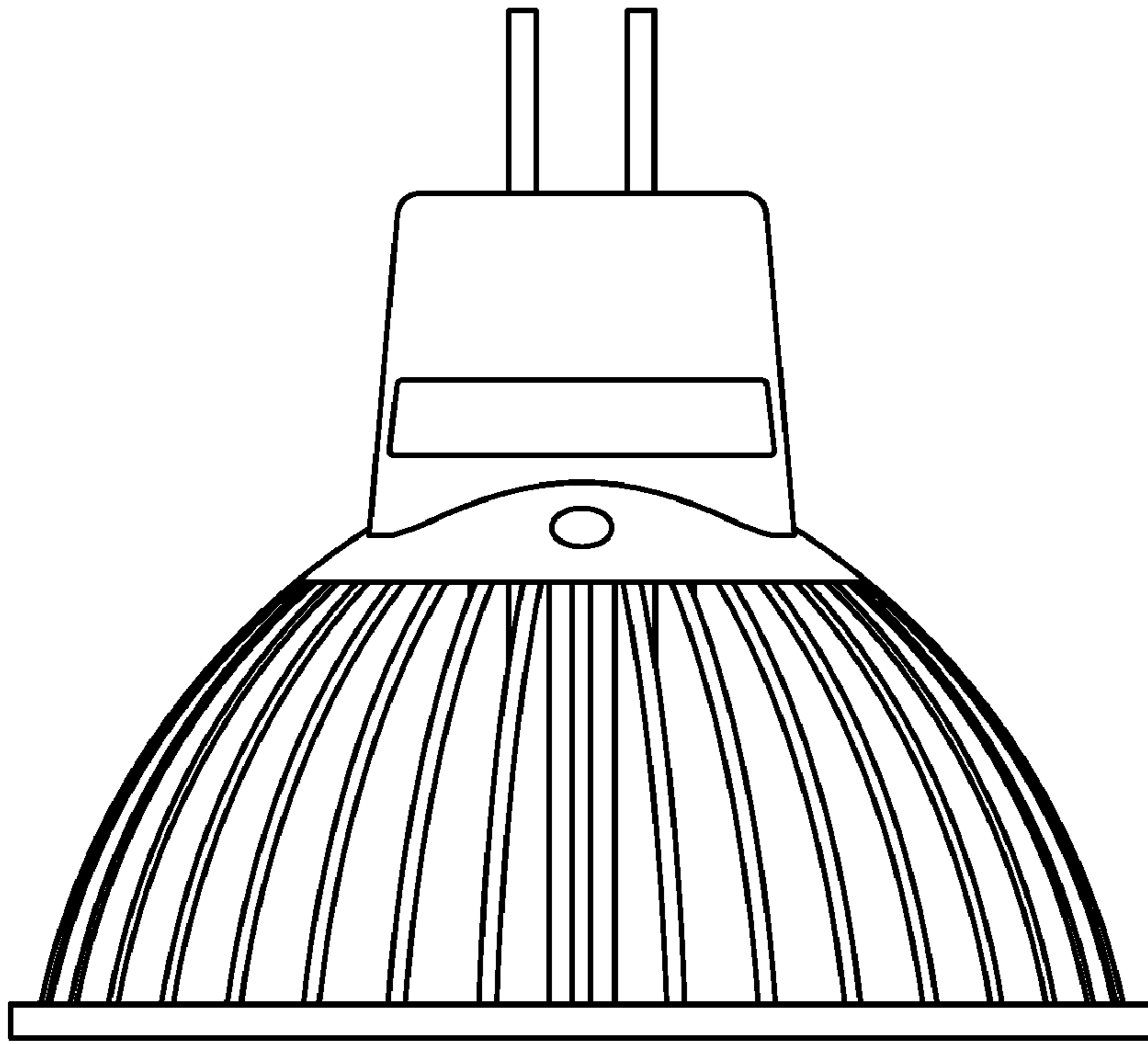


FIG. 5

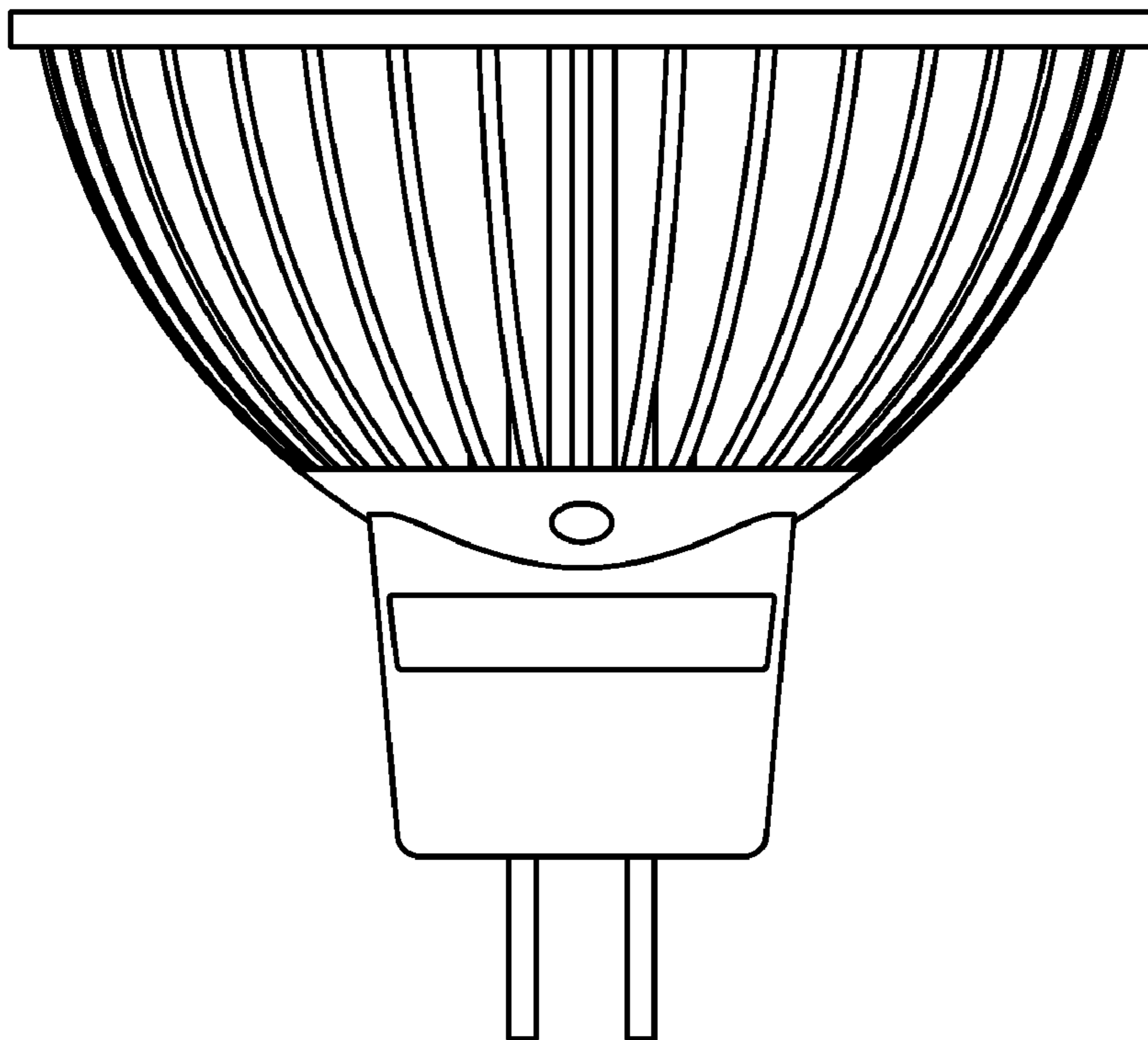


FIG. 4

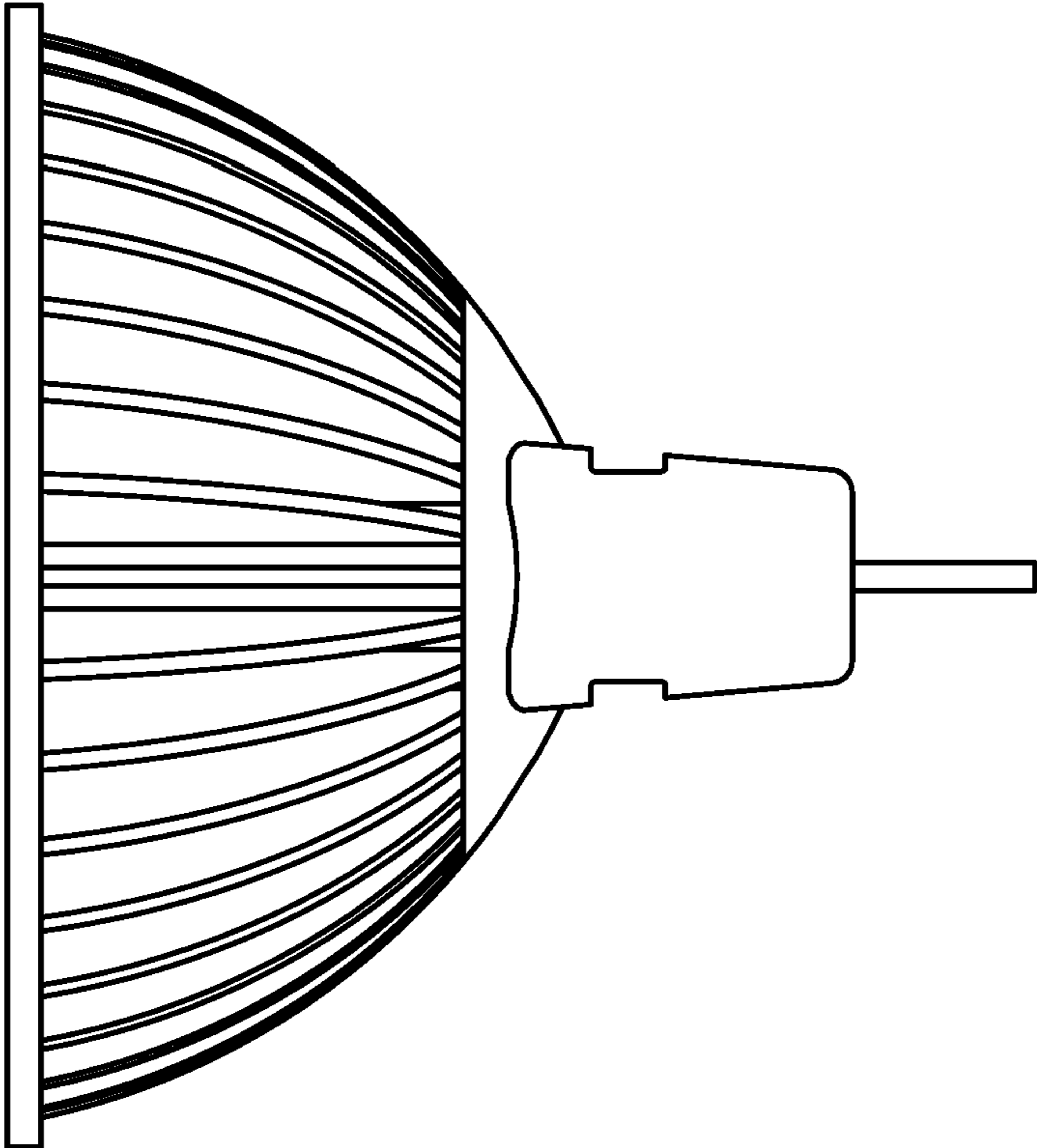


FIG. 7

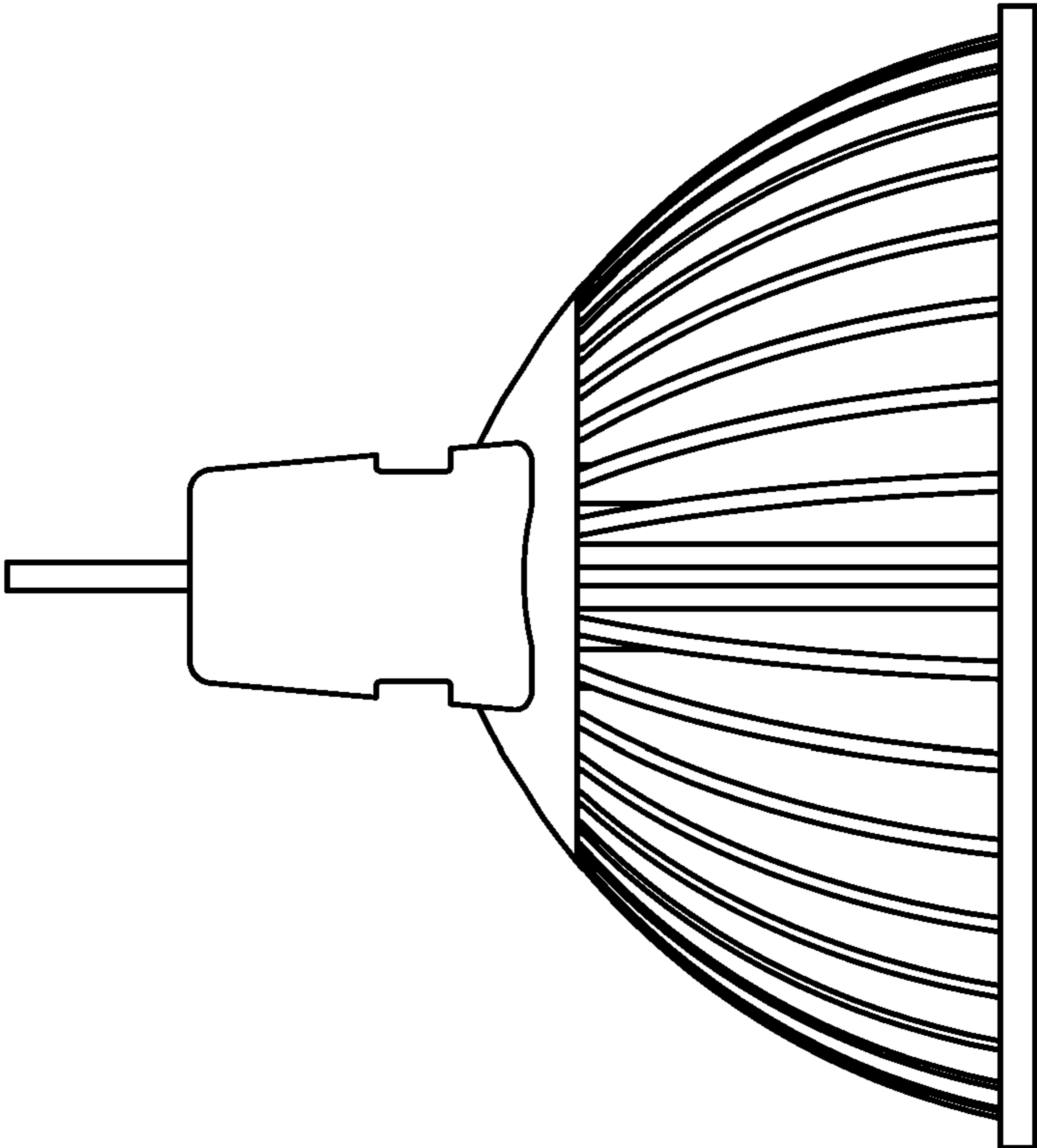


FIG. 6