

US00D545456S

(12) **United States Design Patent**
Foo

(10) **Patent No.:** **US D545,456 S**

(45) **Date of Patent:** **** Jun. 26, 2007**

(54) **FLUORESCENT LAMP**

D498,007 S * 11/2004 Bobel D26/2
D534,664 S * 1/2007 Geens D26/2

(75) Inventor: **Onn Fah Foo**, Kowloon (CN)

* cited by examiner

(73) Assignee: **Mass Technology (H.K.) Limited**,
Kowloon, Hong Kong (CN)

Primary Examiner—Marcus A. Jackson

(74) *Attorney, Agent, or Firm*—Alix, Yale & Ristas, LLP

(**) Term: **14 Years**

(57) **CLAIM**

(21) Appl. No.: **29/266,584**

The ornamental design for a fluorescent lamp, as shown and described.

(22) Filed: **Sep. 25, 2006**

(30) **Foreign Application Priority Data**

Mar. 24, 2006 (CN) 200630008442

(51) **LOC (8) Cl.** **26-04**

(52) **U.S. Cl.** **D26/2**

(58) **Field of Classification Search** D26/1-4;
313/313, 315, 317, 318, 493; 315/52, 53,
315/56, 57, 58

See application file for complete search history.

(56) **References Cited**

U.S. PATENT DOCUMENTS

D433,166 S * 10/2000 Noll D26/2

D435,306 S * 12/2000 McBride D26/2

DESCRIPTION

FIG. 1 is a perspective view of the fluorescent lamp showing my new design;

FIG. 2 is a front view of the fluorescent lamp of FIG. 1;

FIG. 3 is a rear view of the fluorescent lamp of FIG. 1;

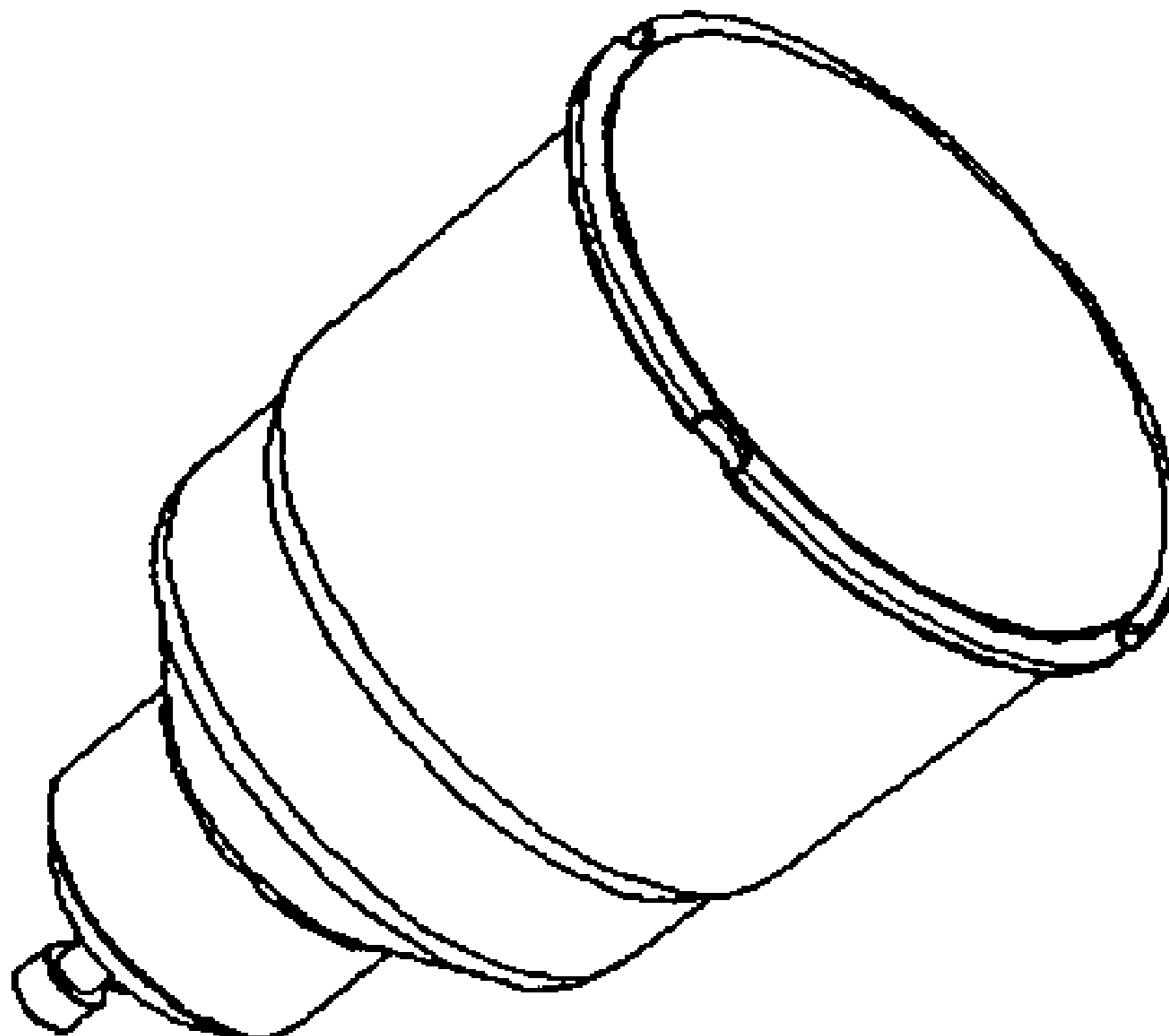
FIG. 4 is a left side view of the fluorescent lamp of FIG. 1;

FIG. 5 is a right side view of the fluorescent lamp of FIG. 1;

FIG. 6 is a top plan view of the fluorescent lamp of FIG. 1; and,

FIG. 7 is a bottom plan view of the fluorescent lamp of FIG. 1.

1 Claim, 2 Drawing Sheets



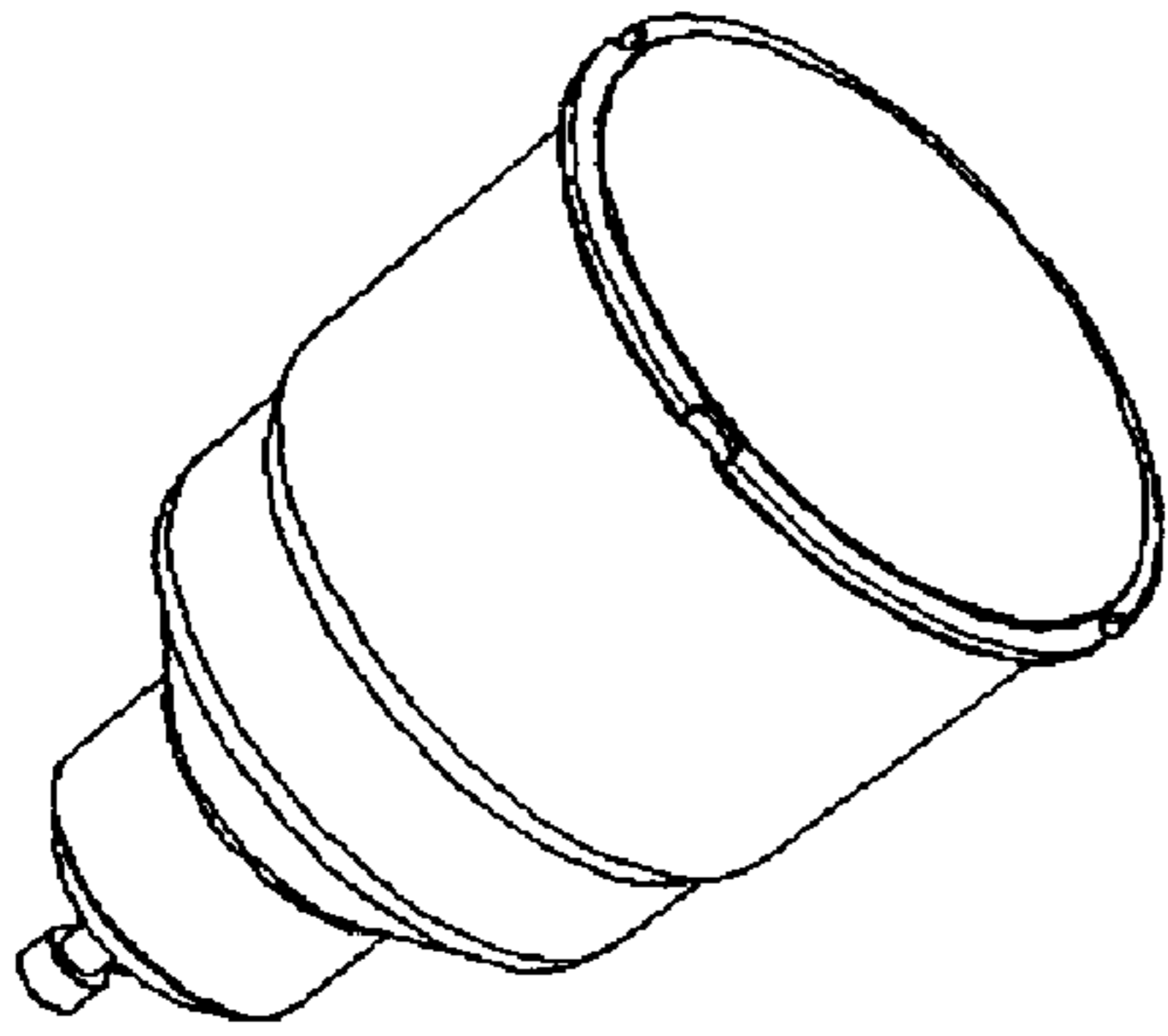


Figure 1

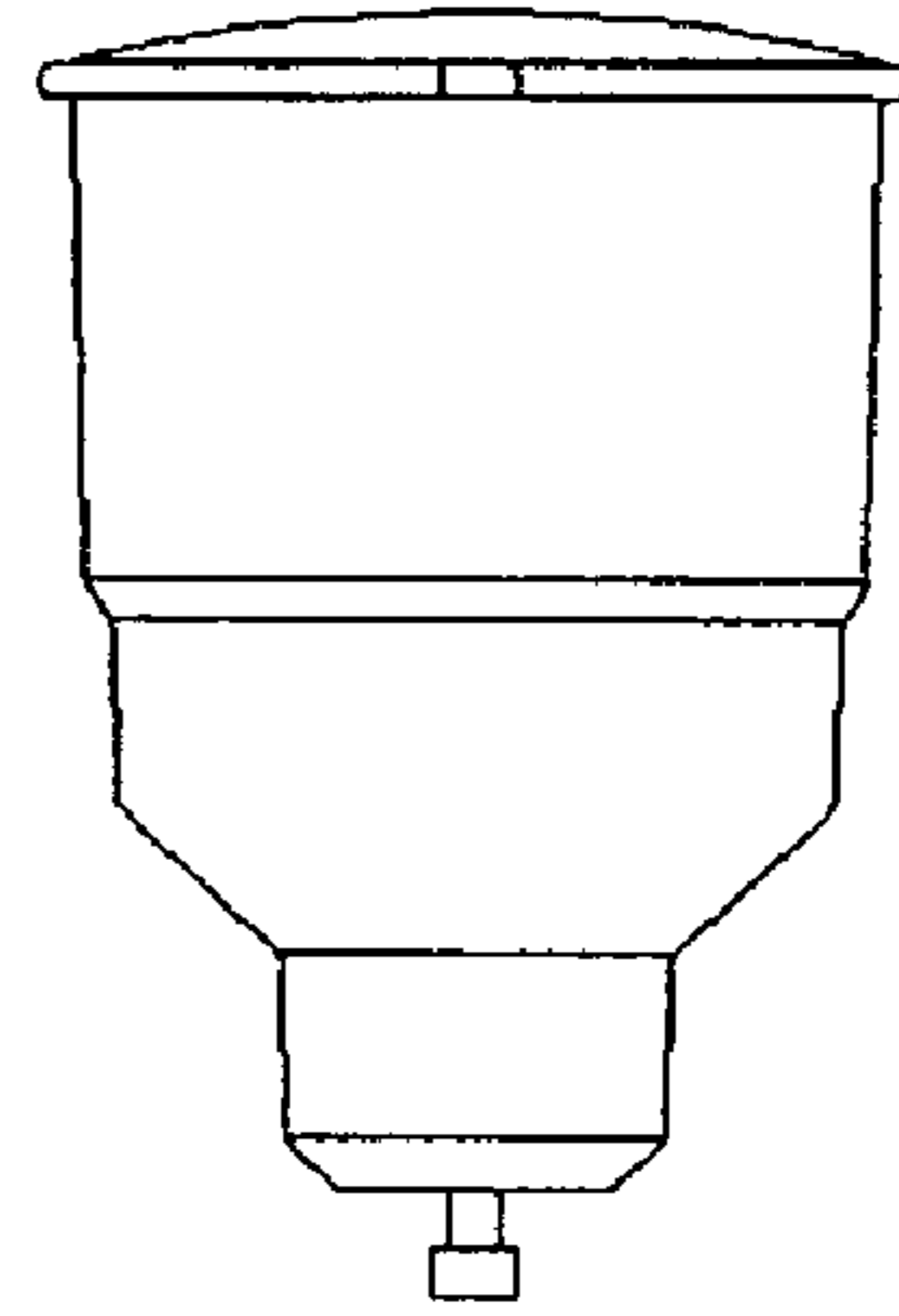


Figure 2

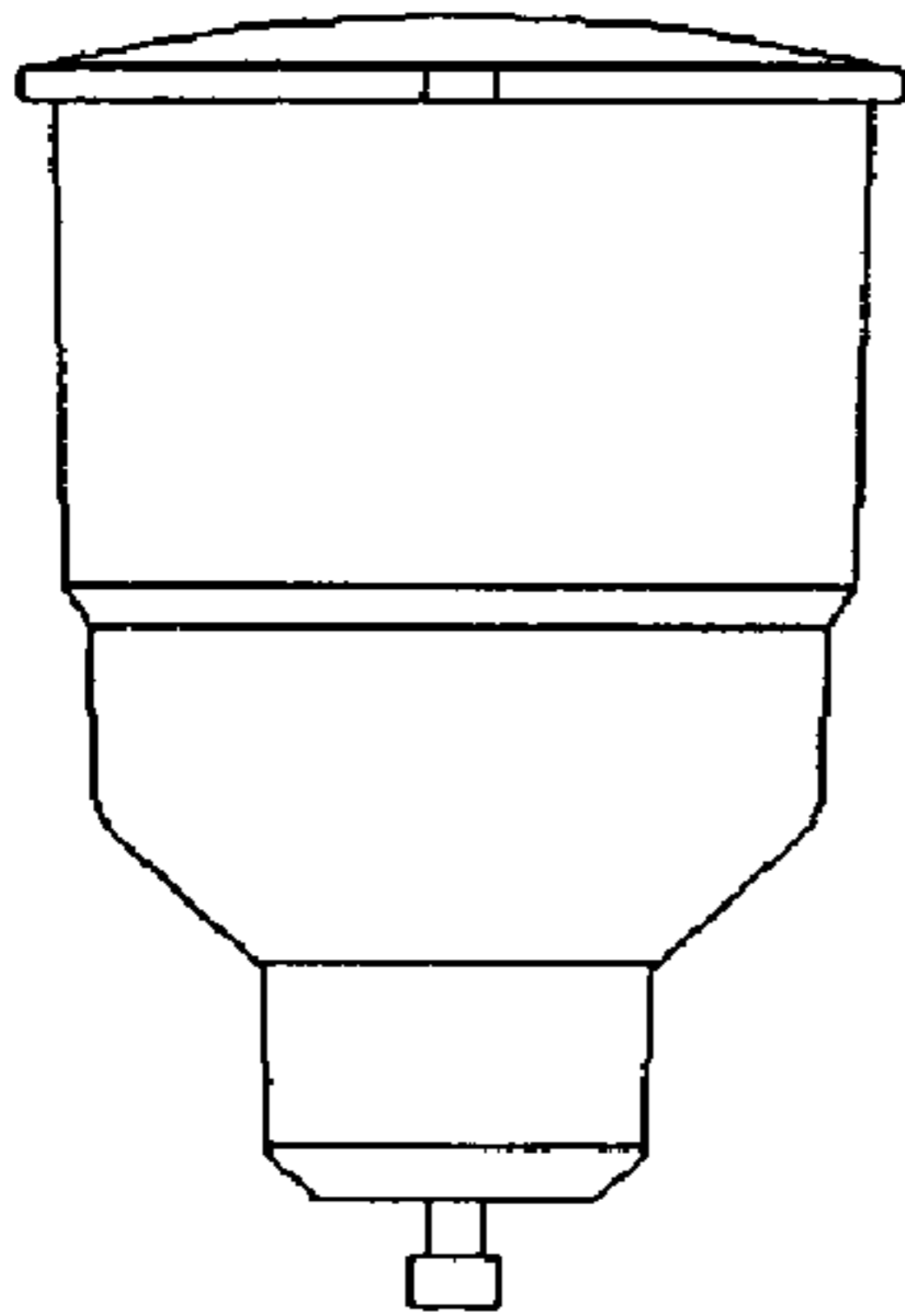


Figure 3

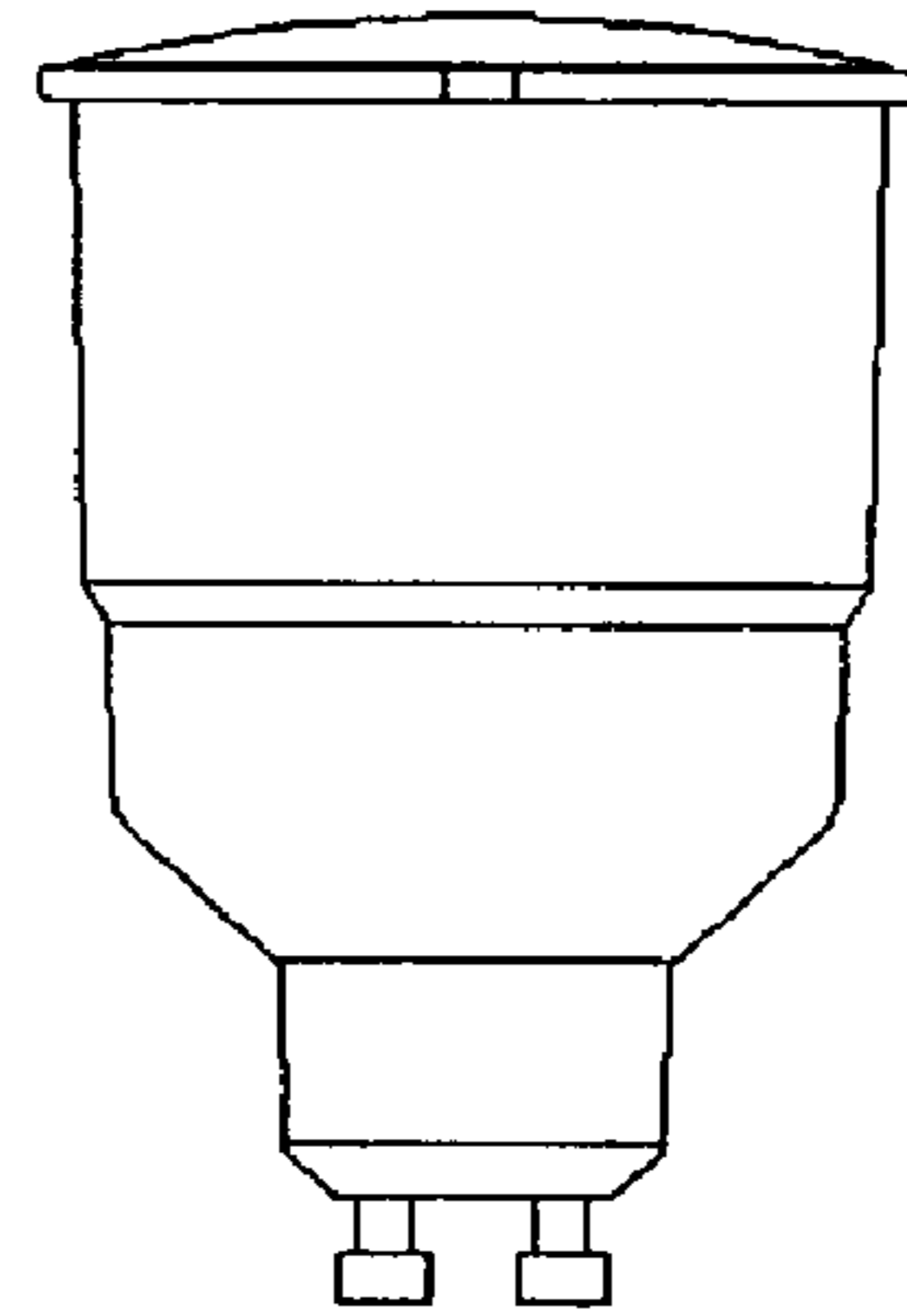


Figure 4

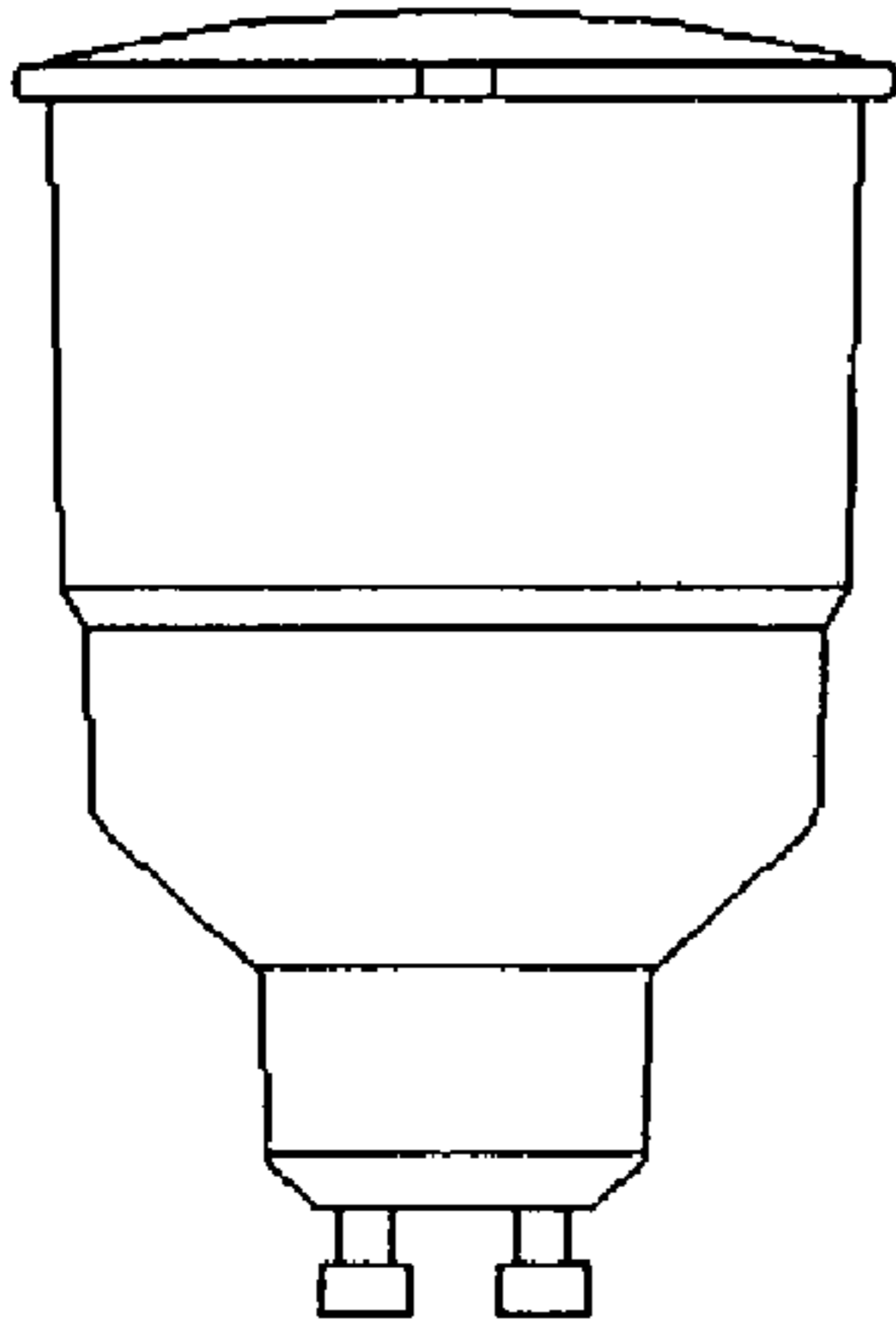


Figure 5

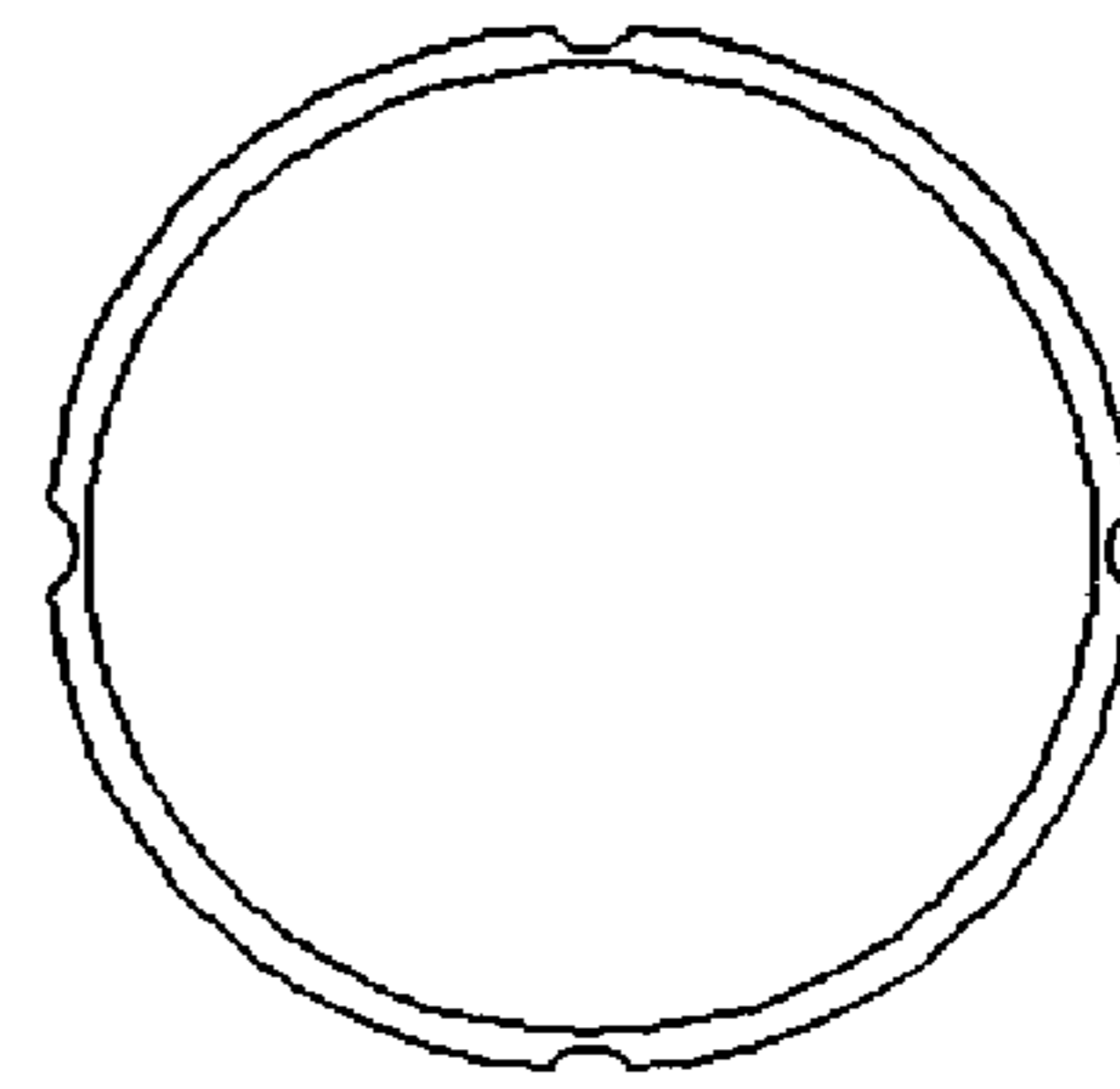


Figure 6

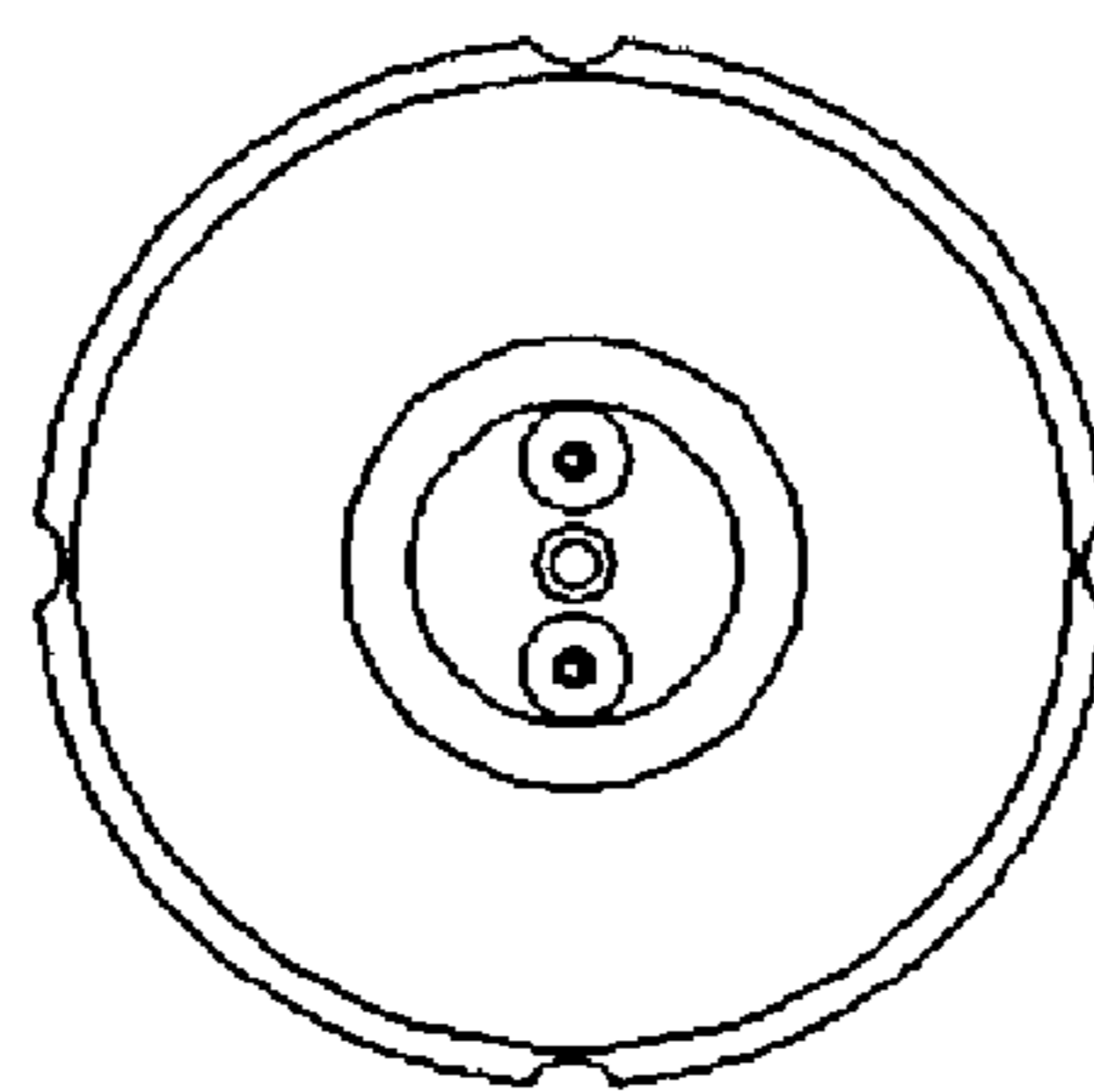


Figure 7