

US00D545455S

(12) **United States Design Patent**
Verduci

(10) **Patent No.:** **US D545,455 S**

(45) **Date of Patent:** **** Jun. 26, 2007**

(54) **PAVING STONE**

3,280,525 A * 10/1966 Crowley 52/223.3

(76) Inventor: **Leonardo Verduci**, 7 Wildflower Drive,
Richmond Hill, Ontario (CA), L4E 3Y5

* cited by examiner

Primary Examiner—Louis S. Zarfes
Assistant Examiner—Gregory Andoll

(**) Term: **14 Years**

(57) **CLAIM**

(21) Appl. No.: **29/257,021**

The ornamental design for the paving stone, as shown.

(22) Filed: **Mar. 29, 2006**

DESCRIPTION

(51) **LOC (8) Cl.** **25-01**

FIG. 1 is a perspective illustration of a paving stone illustrating the said ornamental design;

(52) **U.S. Cl.** **D25/116**

FIG. 2 is a left-hand side elevation of the paving stone of FIG. 1;

(58) **Field of Classification Search** D25/102,
D25/113–118, 138, 151–163; D21/484–489,
D21/491–492; 52/596, 309.3, 223.3
See application file for complete search history.

FIG. 3 is a top plan view of the paving stone of FIG. 1;
FIG. 4 is a right-hand side elevation of the paving stone of FIG. 1;

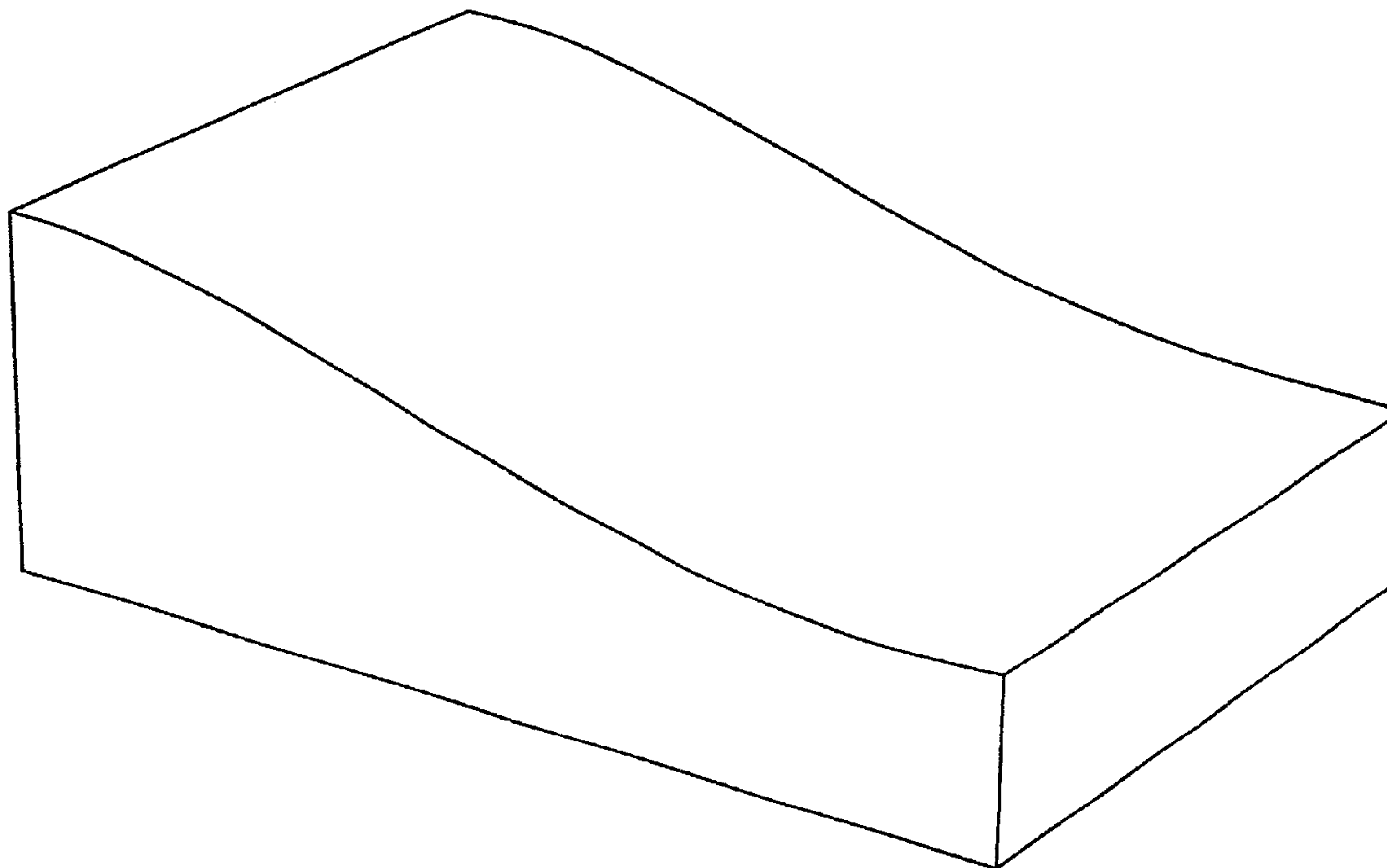
(56) **References Cited**

U.S. PATENT DOCUMENTS

D183,317 S * 8/1958 Kautz D25/157
2,915,893 A * 12/1959 Wilkins 52/309.3

FIG. 5 is a bottom plan view of the paving stone of FIG. 1;
FIG. 6 is an end view from the rear side of the paving stone of FIG. 1; and,
FIG. 7 is an end view from the front side of the paving stone of FIG. 1.

1 Claim, 2 Drawing Sheets



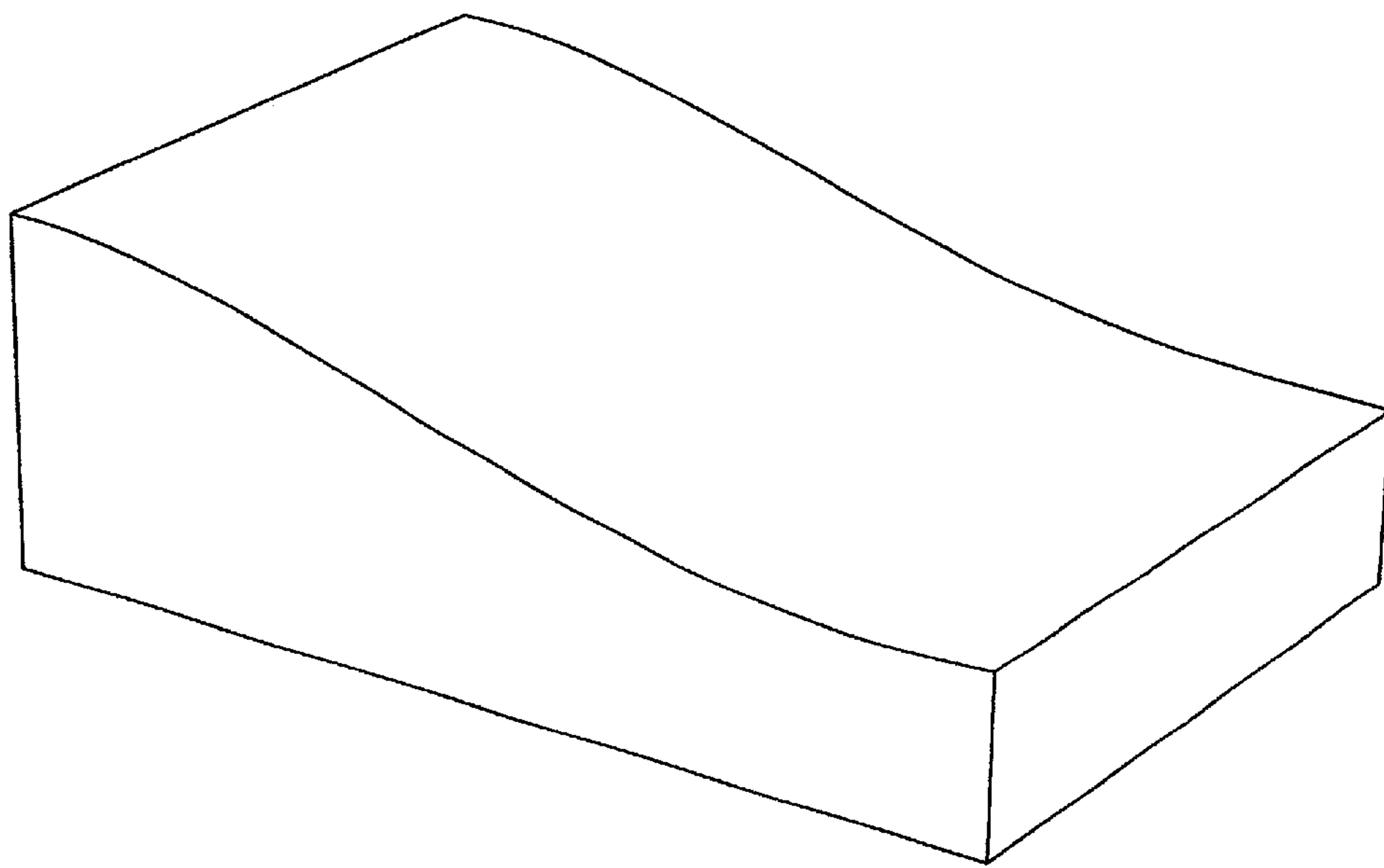


FIG. 1

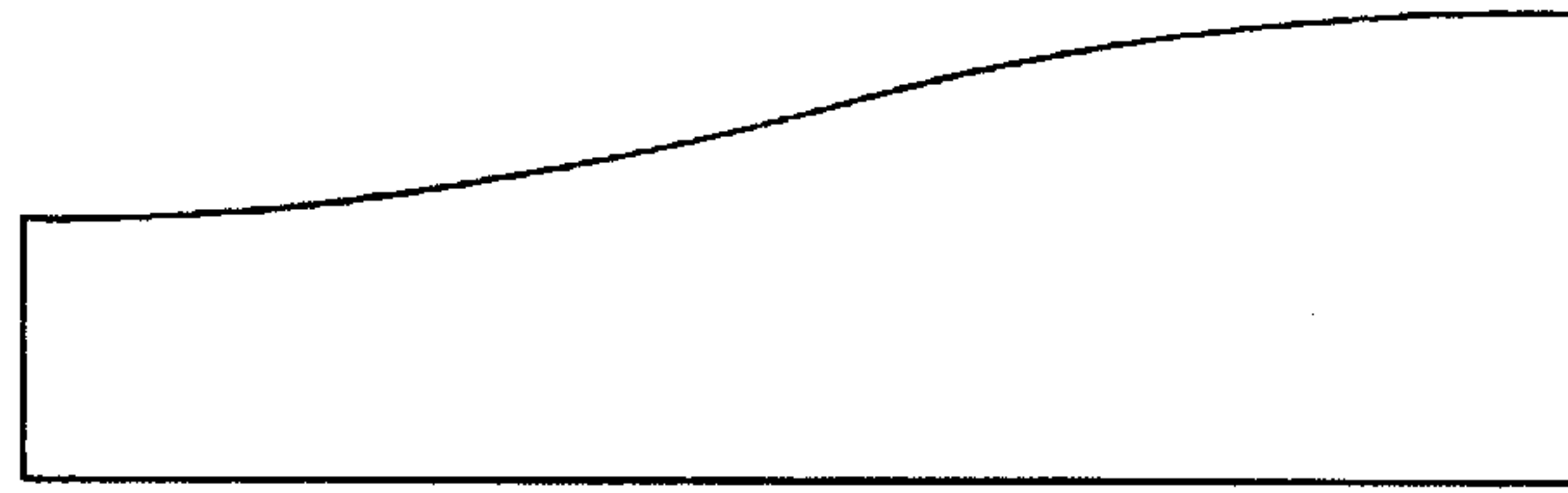


FIG. 2

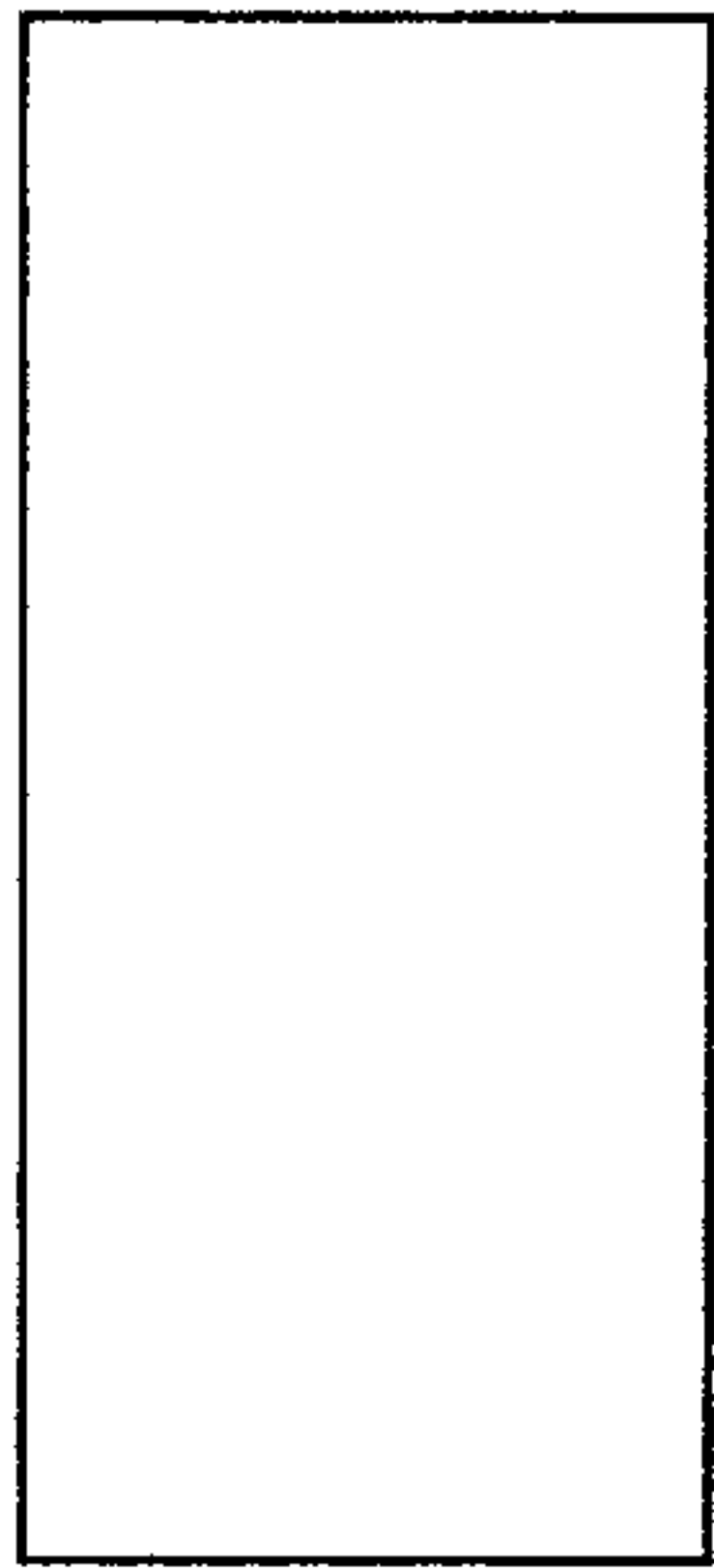


FIG. 6

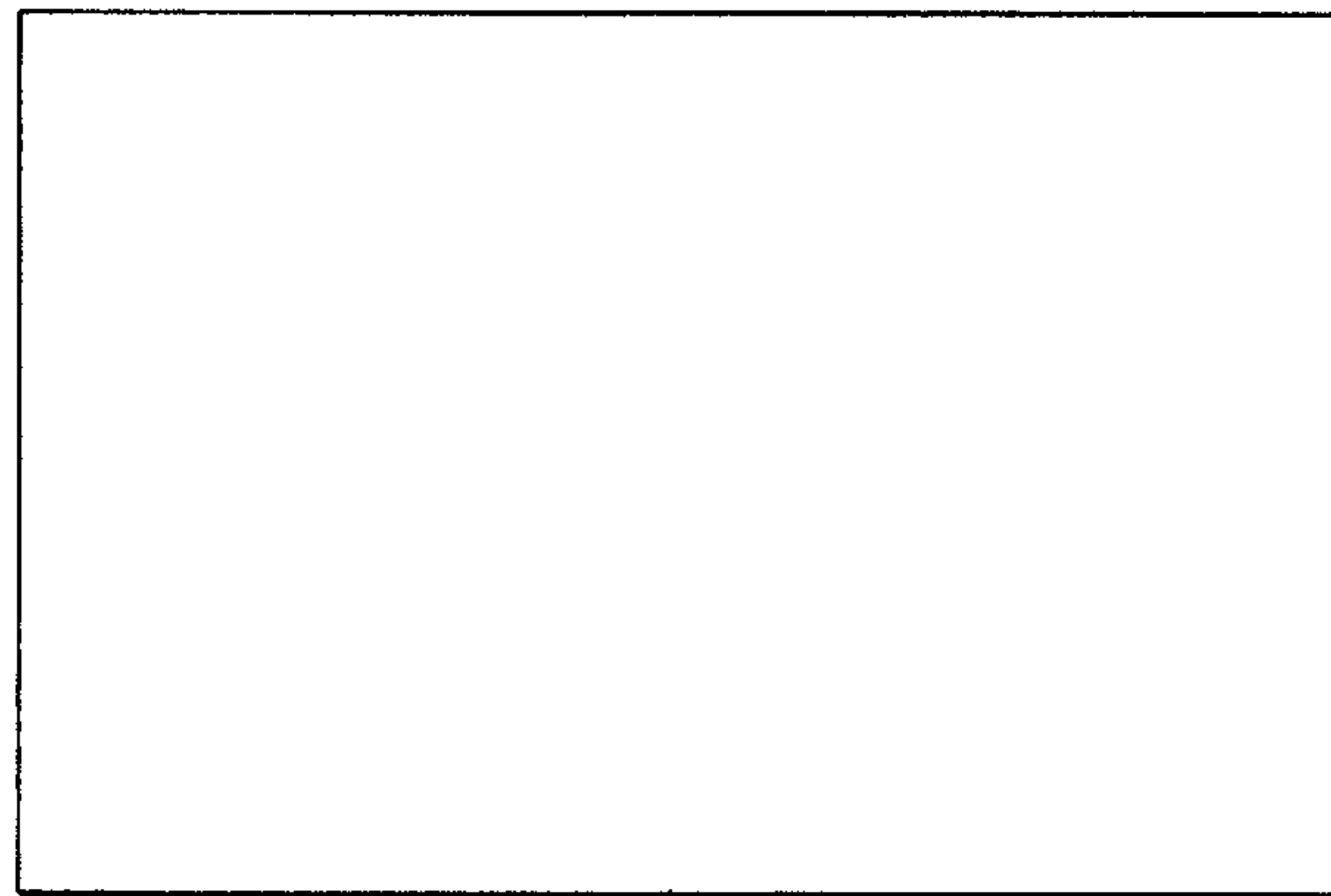


FIG. 3

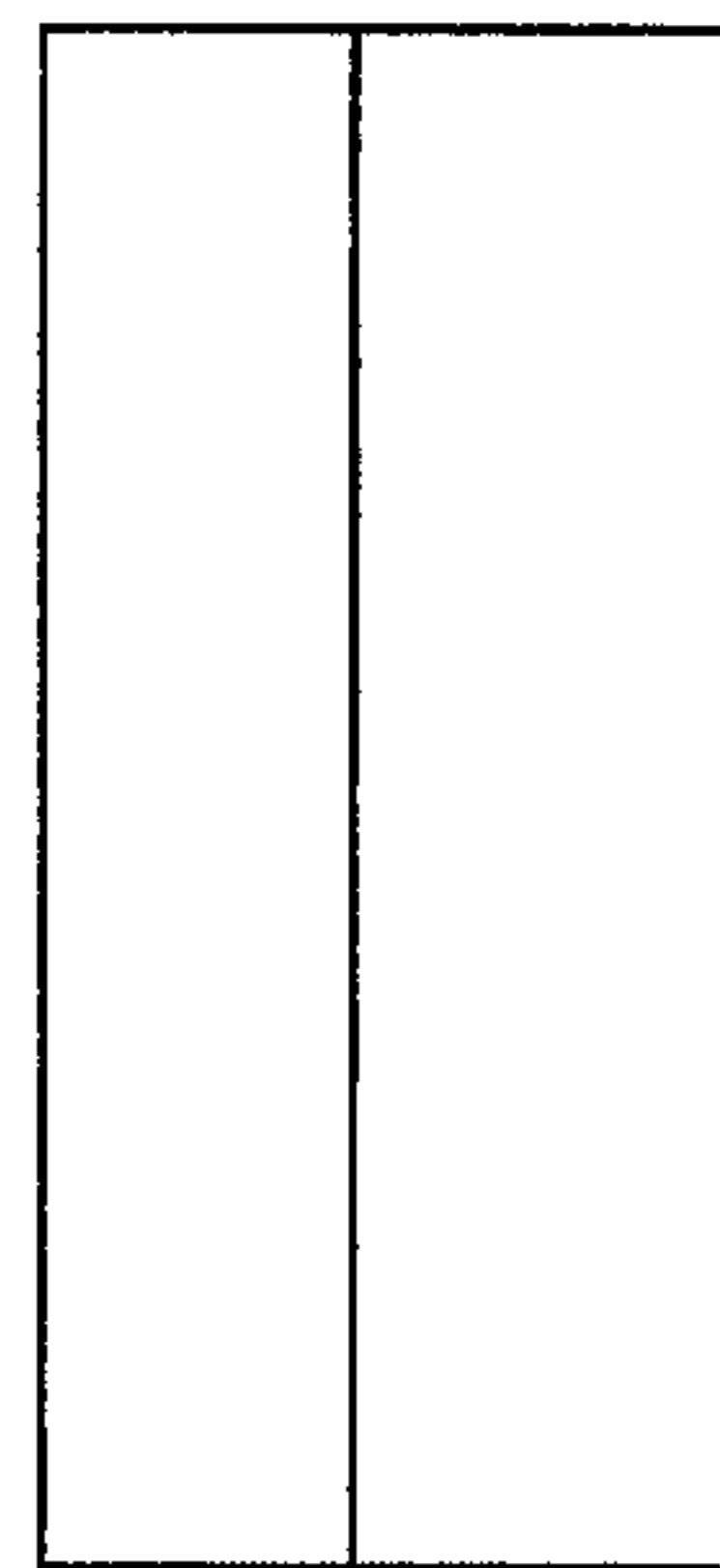


FIG. 7

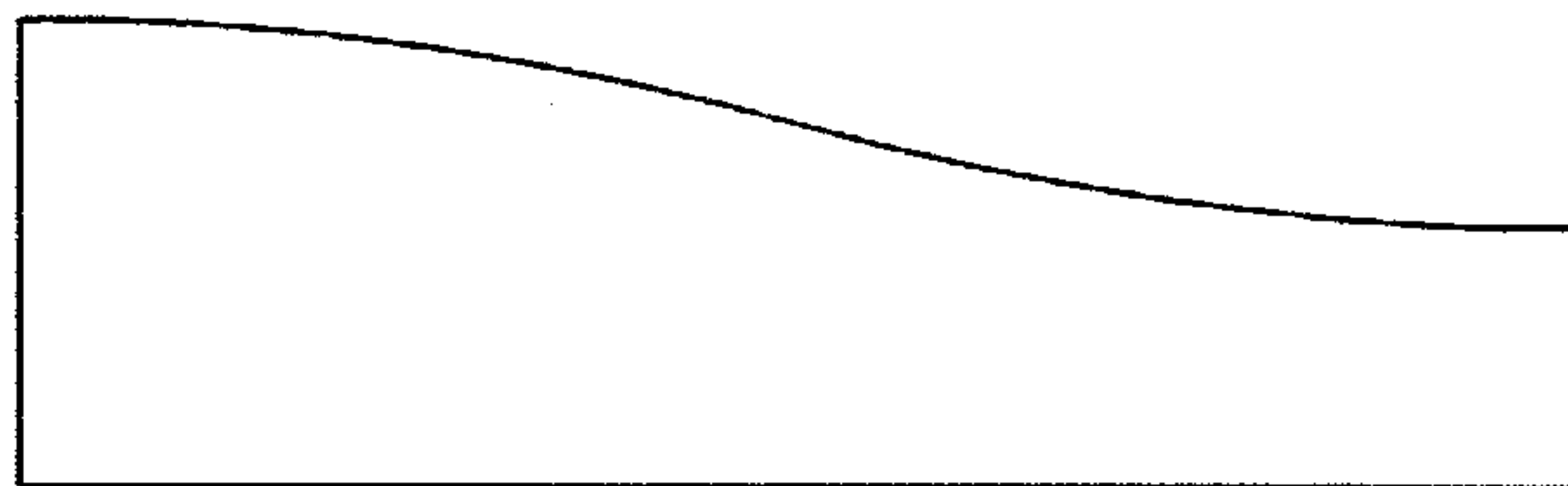


FIG. 4

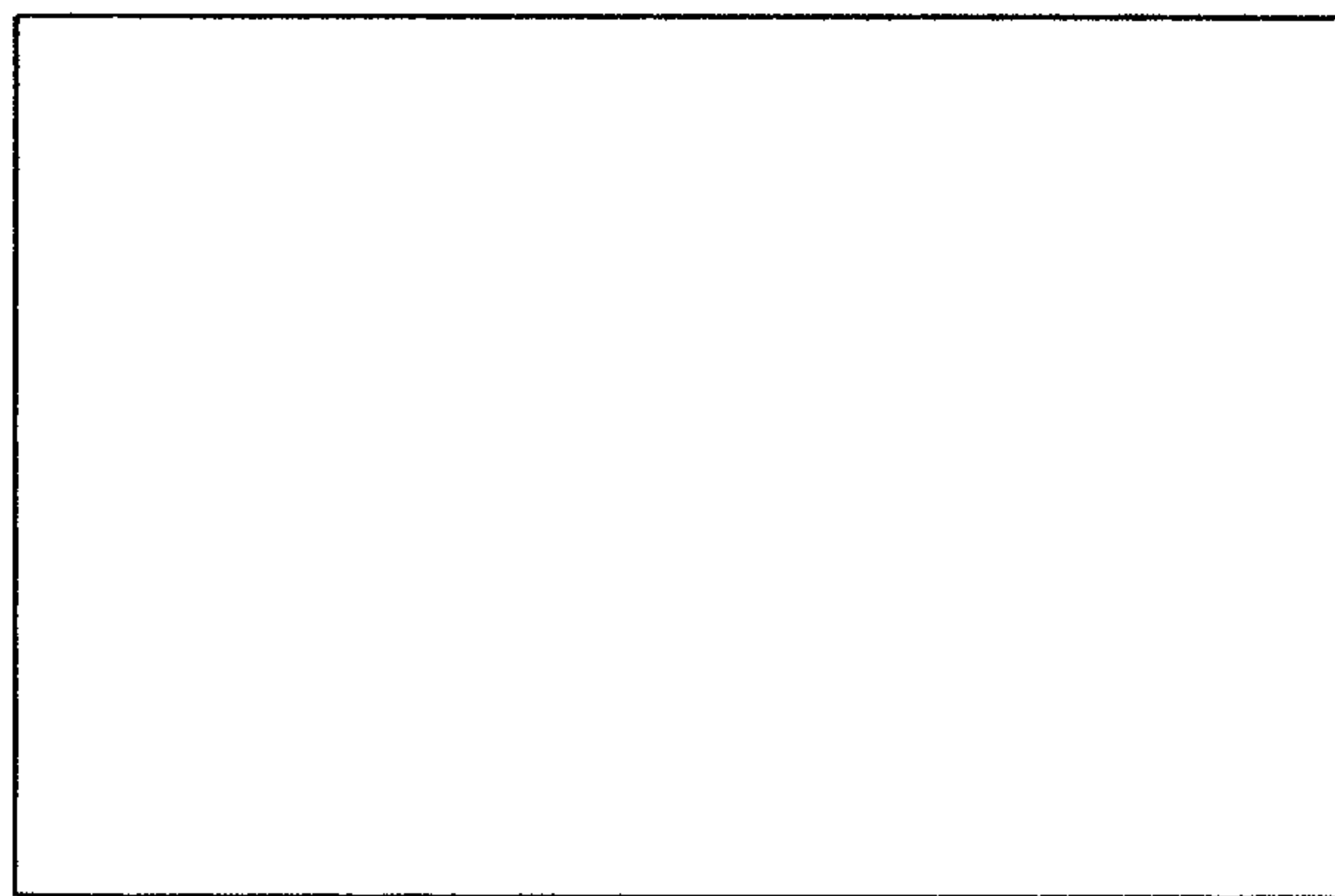


FIG. 5