

US00D545453S

(12) **United States Design Patent**
Kluska et al.

(10) **Patent No.:** **US D545,453 S**
(45) **Date of Patent:** **** Jun. 26, 2007**

(54) **PART OF A PAVILION**

D461,562 S * 8/2002 Hansen D25/18
D468,444 S * 1/2003 Suits D25/52

(75) Inventors: **Tomasz Kluska**, Cieszyn (PL);
Zbigniew Widenka, Pruchna (PL)

* cited by examiner

(73) Assignee: **Empiro Spolka zo.o.** (PL)

Primary Examiner—Doris Clark

(**) Term: **14 Years**

(74) *Attorney, Agent, or Firm*—B. Aaron Schulman; Stites & Harbison PLLC

(21) Appl. No.: **29/251,430**

(57) **CLAIM**

(22) Filed: **Jan. 9, 2006**

The ornamental design for a part of a pavilion, as shown and described.

(51) **LOC (8) Cl.** **25-02**

DESCRIPTION

(52) **U.S. Cl.** **D25/52; D25/138**

FIG. 1 is a perspective front, top and right side view of a part of a pavilion according to the present invention.

(58) **Field of Classification Search** 52/202,
52/203, 80.1, 80.2, 81.1, 81.2, 81.3, DIG. 17,
52/DIG. 14; D25/52, 33, 31, 19, 18, 138
See application file for complete search history.

FIG. 2 is front view of the part of a pavilion depicted in FIG. 1.

(56) **References Cited**

FIG. 3 is rear view of the part of a pavilion depicted in FIG. 1.

U.S. PATENT DOCUMENTS

- 3,921,555 A * 11/1975 Suzuki et al. 29/457
- 4,663,898 A * 5/1987 Yacaboni 52/82
- 4,671,027 A * 6/1987 Esposito 52/86
- 5,003,733 A * 4/1991 Strobl, Jr. et al. 52/86
- D394,714 S * 5/1998 Plummer D25/52
- D443,071 S * 5/2001 Sawdon D25/19
- D445,510 S * 7/2001 Sawdon D25/19
- 6,324,791 B1 * 12/2001 Azpiroz Villar 52/80.1

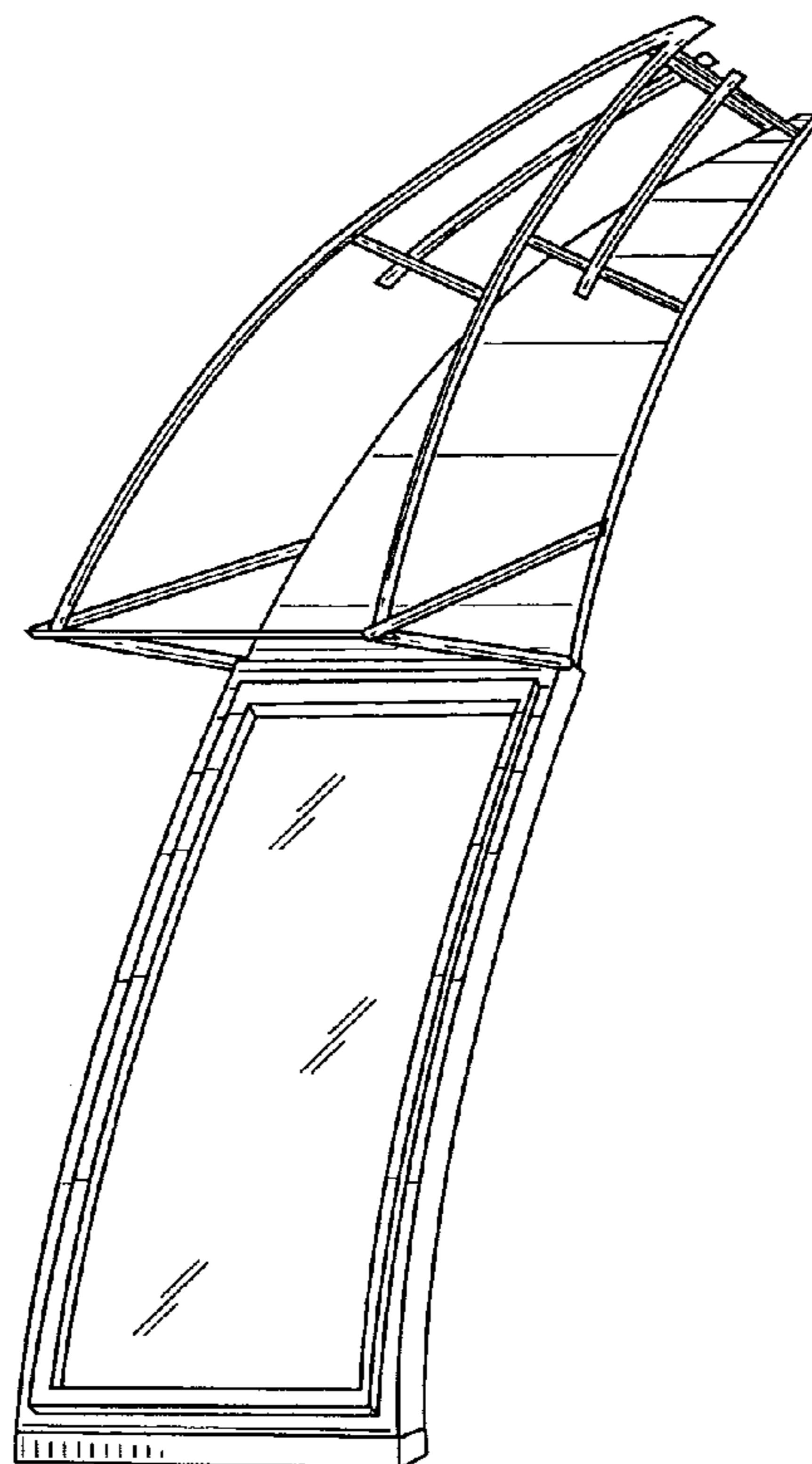
FIG. 4 is a right side view of the part of a pavilion depicted in FIG. 1.

FIG. 5 is a left side view of the part of a pavilion depicted in FIG. 1.

FIG. 6 is a top view of the part of a pavilion depicted in FIG. 1; and,

FIG. 7 is a bottom view of the part of a pavilion depicted in FIG. 1.

1 Claim, 4 Drawing Sheets



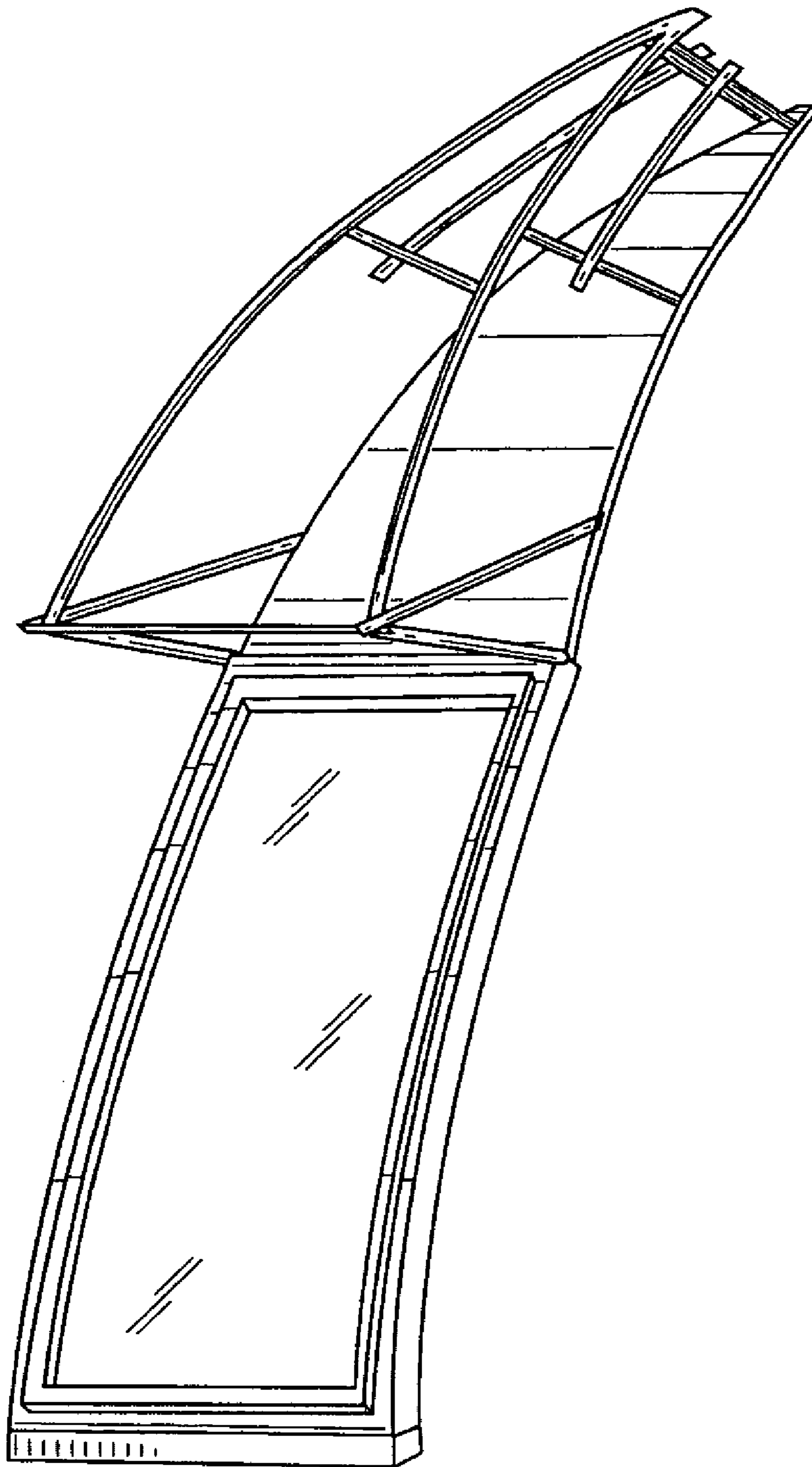


FIG. 1

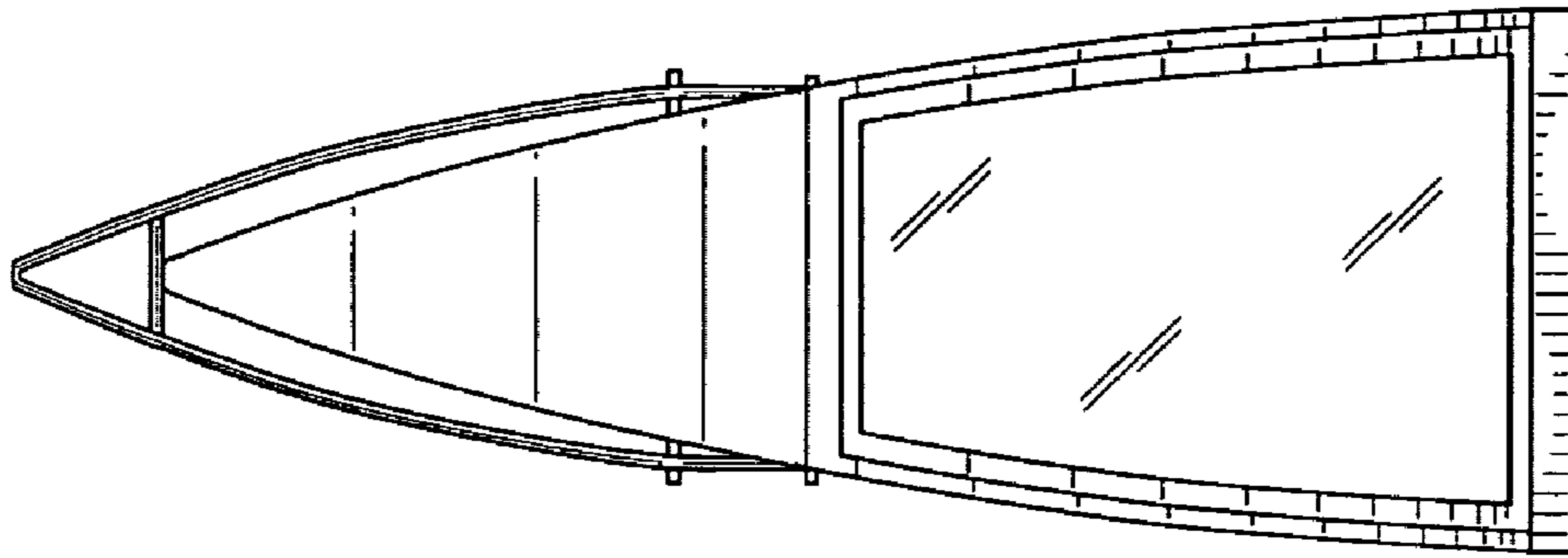


FIG. 3

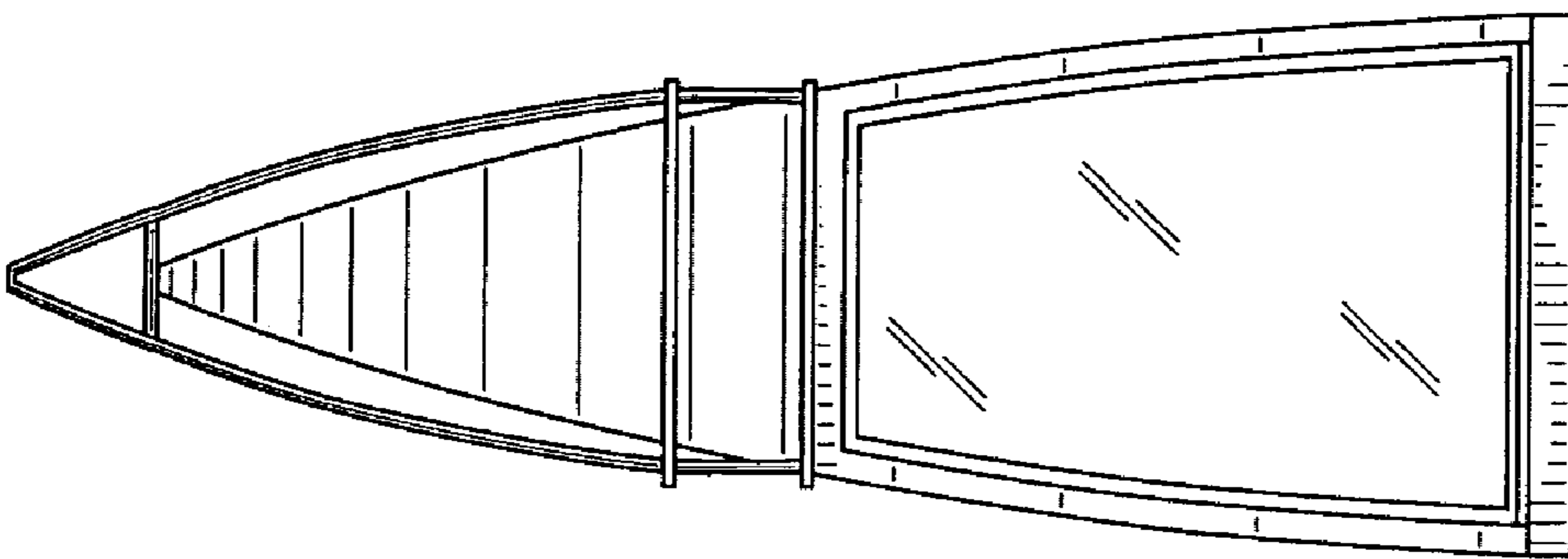


FIG. 2

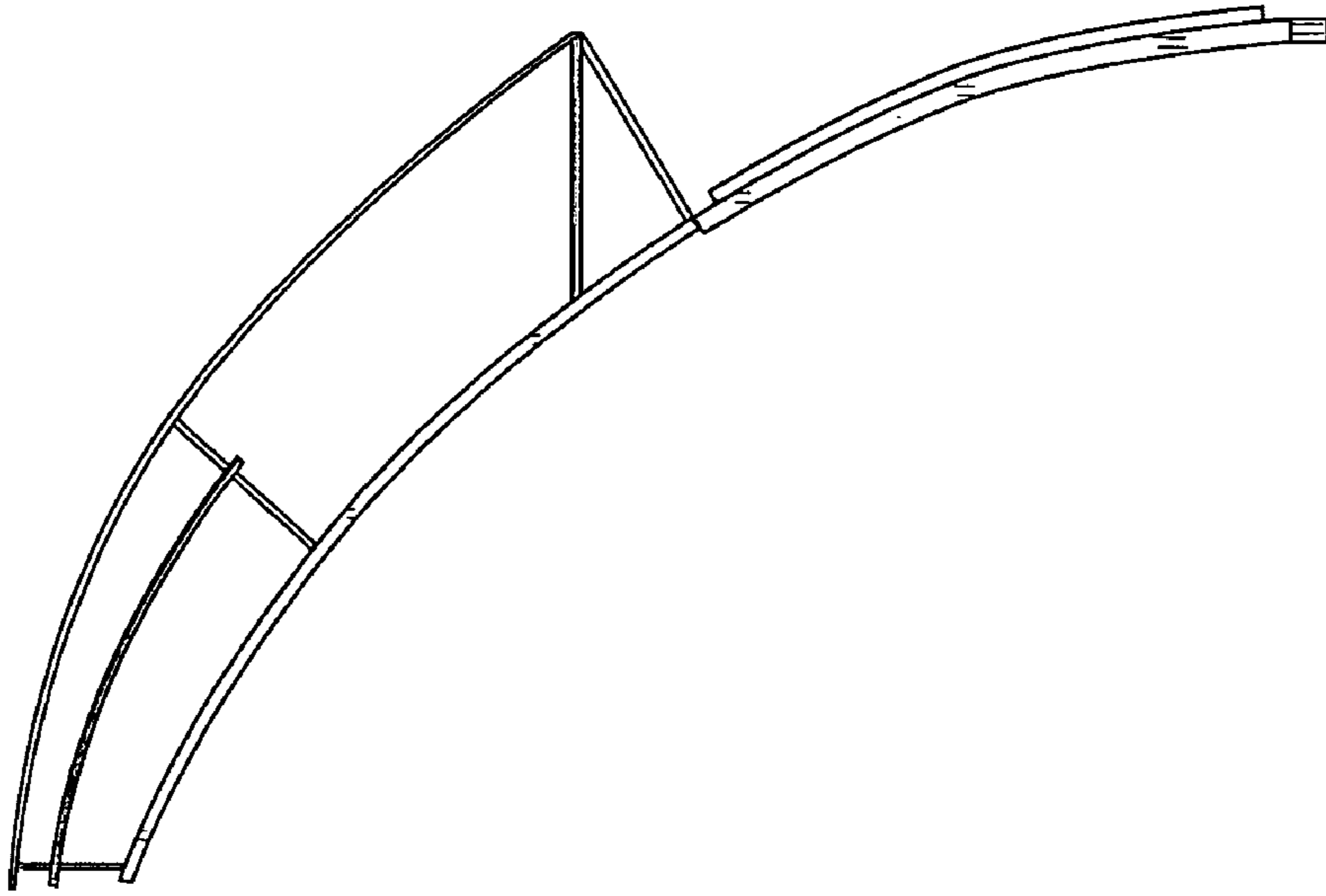


FIG. 4

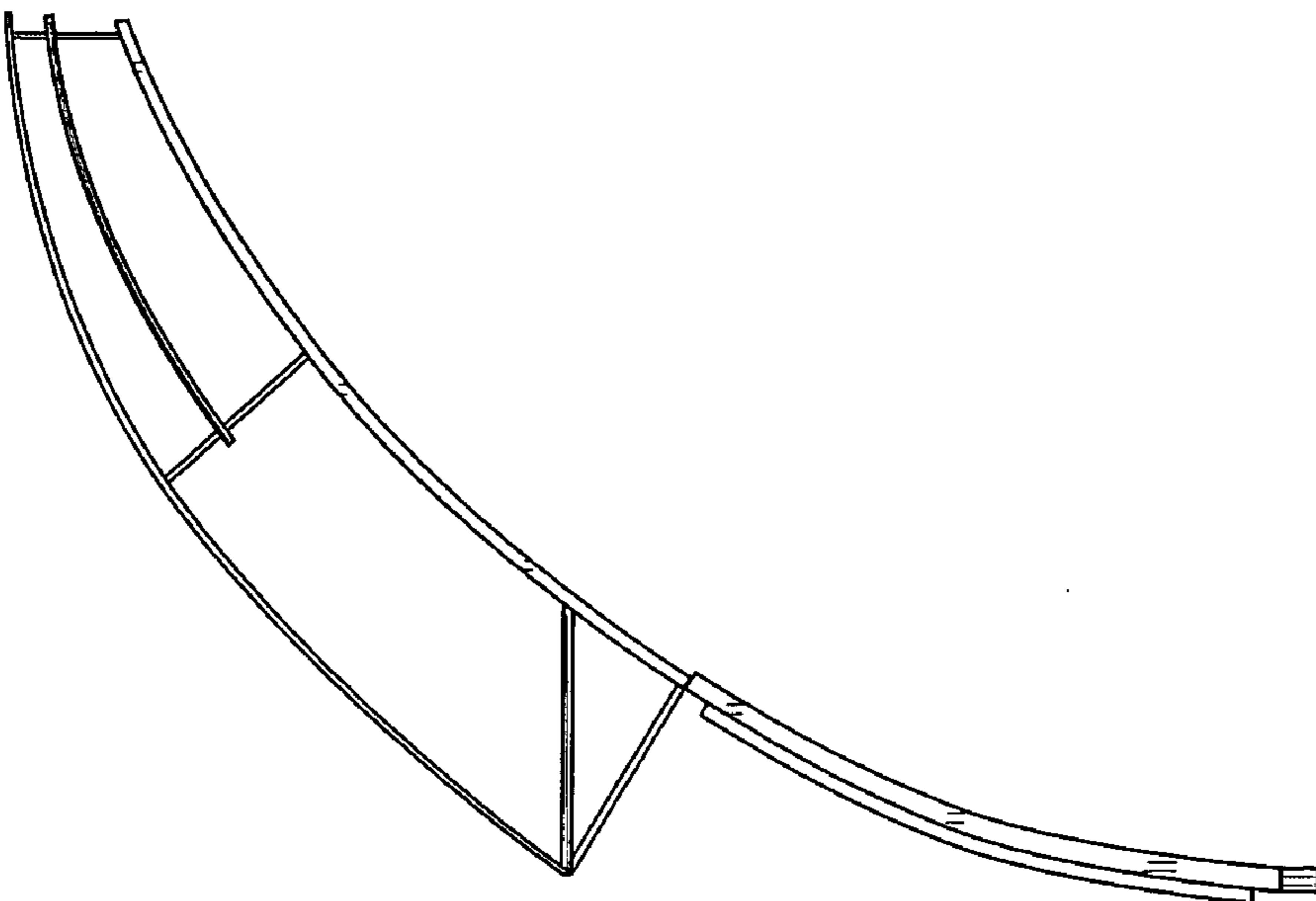


FIG. 5

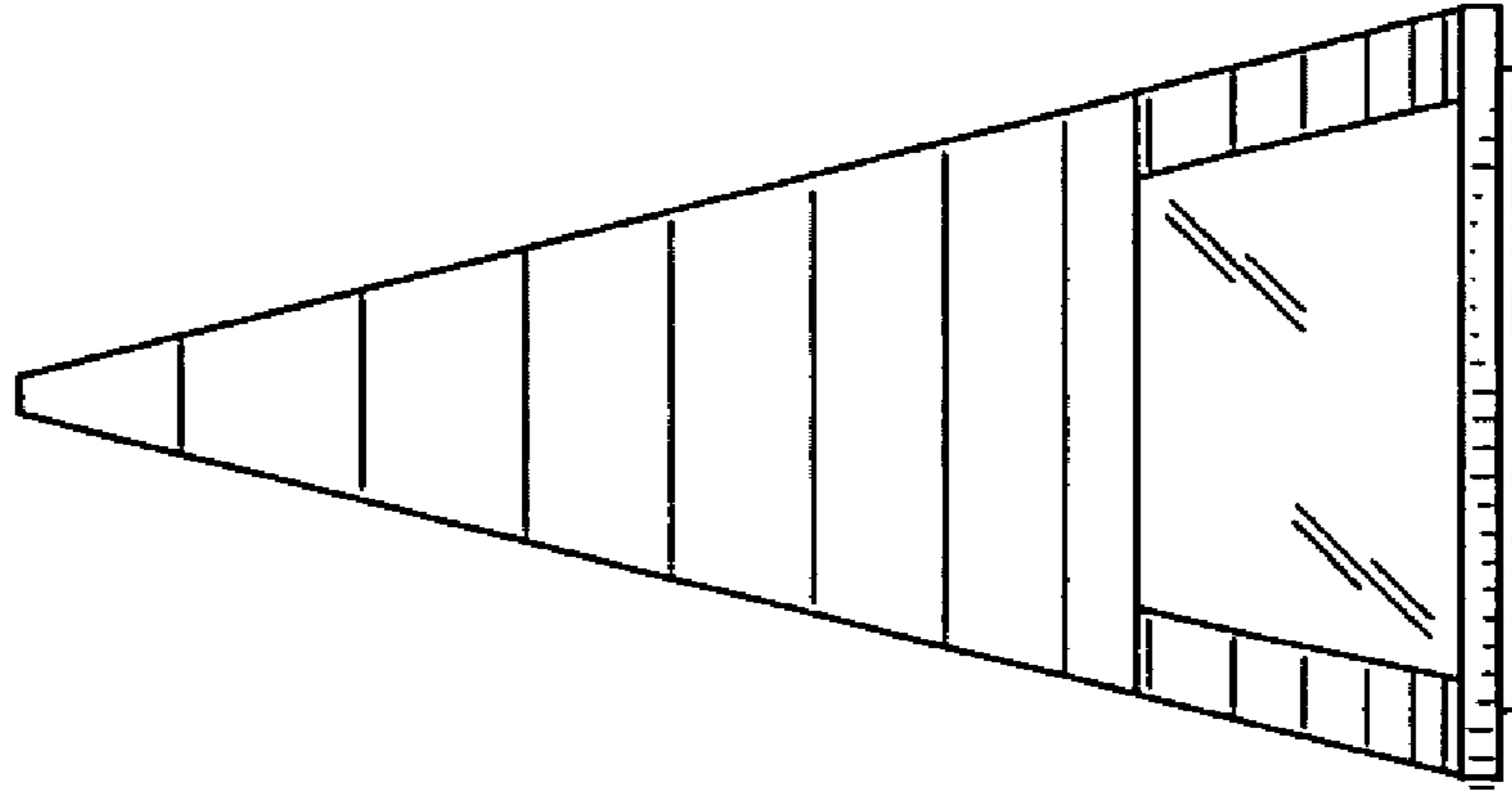


FIG. 6

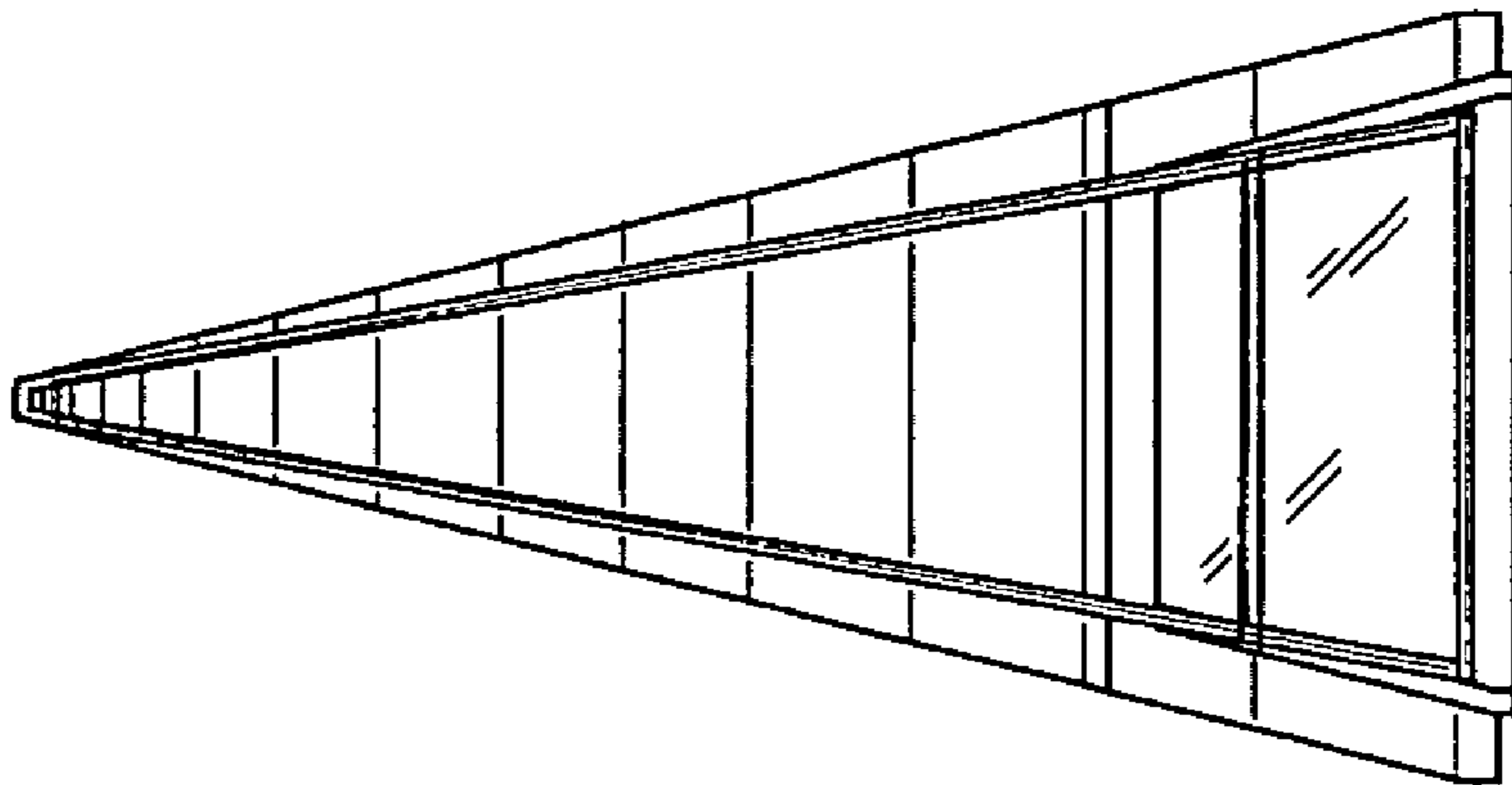


FIG. 7