



US00D545451S

(12) **United States Design Patent**  
**Urbanek**

(10) **Patent No.:** **US D545,451 S**  
(45) **Date of Patent:** **\*\* Jun. 26, 2007**

(54) **PORTABLE TOILET**

(76) Inventor: **Joseph S. Urbanek**, 50327 Trembly Ridge Rd., Beallsville, OH (US) 43716-9701

(\*\*) Term: **14 Years**

(21) Appl. No.: **29/251,365**

(22) Filed: **Jan. 6, 2006**

(51) **LOC (8) Cl.** ..... **25-03**

(52) **U.S. Cl.** ..... **D25/16**

(58) **Field of Classification Search** ..... D25/16, D25/7, 10, 31; D6/421; 52/36.1, 36.2, 34-35, 52/27.5, 79.4; D23/270, 299; D20/5; D21/507, D21/509; D7/321; D9/518, 549, 558, 574, D9/438; 4/449

See application file for complete search history.

(56) **References Cited**

**U.S. PATENT DOCUMENTS**

D381,433 S \* 7/1997 Priestley et al. .... D25/16

(Continued)

*Primary Examiner*—Louis S. Zarfaz

*Assistant Examiner*—Kathleen Sims

(74) *Attorney, Agent, or Firm*—Eley Law Firm Co.; James R. Eley; Michael A. Forhan

(57) **CLAIM**

The ornamental design for a portable toilet, as shown and described.

**DESCRIPTION**

FIG. 1 is an isometric view of a first embodiment of the portable toilet;

FIG. 2 is another isometric view of the portable toilet of FIG. 1;

FIG. 3 is a top view of the portable toilet of FIG. 1;

FIG. 4 is a bottom view of the portable toilet of FIG. 1;

FIG. 5 is a rear elevational view of the portable toilet of FIG. 1;

FIG. 6 is a front elevational view of the portable toilet of FIG. 1;

FIG. 7 is a left-side elevational view of the portable toilet of FIG. 1;

FIG. 8 is a right-side elevational view of the portable toilet of FIG. 1;

FIG. 9 is an isometric view of a second embodiment of the portable toilet;

FIG. 10 is another isometric view of the portable toilet of FIG. 9;

FIG. 11 is a top view of the portable toilet of FIG. 9;

FIG. 12 is a bottom view of the portable toilet of FIG. 9;

FIG. 13 is a rear elevational view of the portable toilet of FIG. 9;

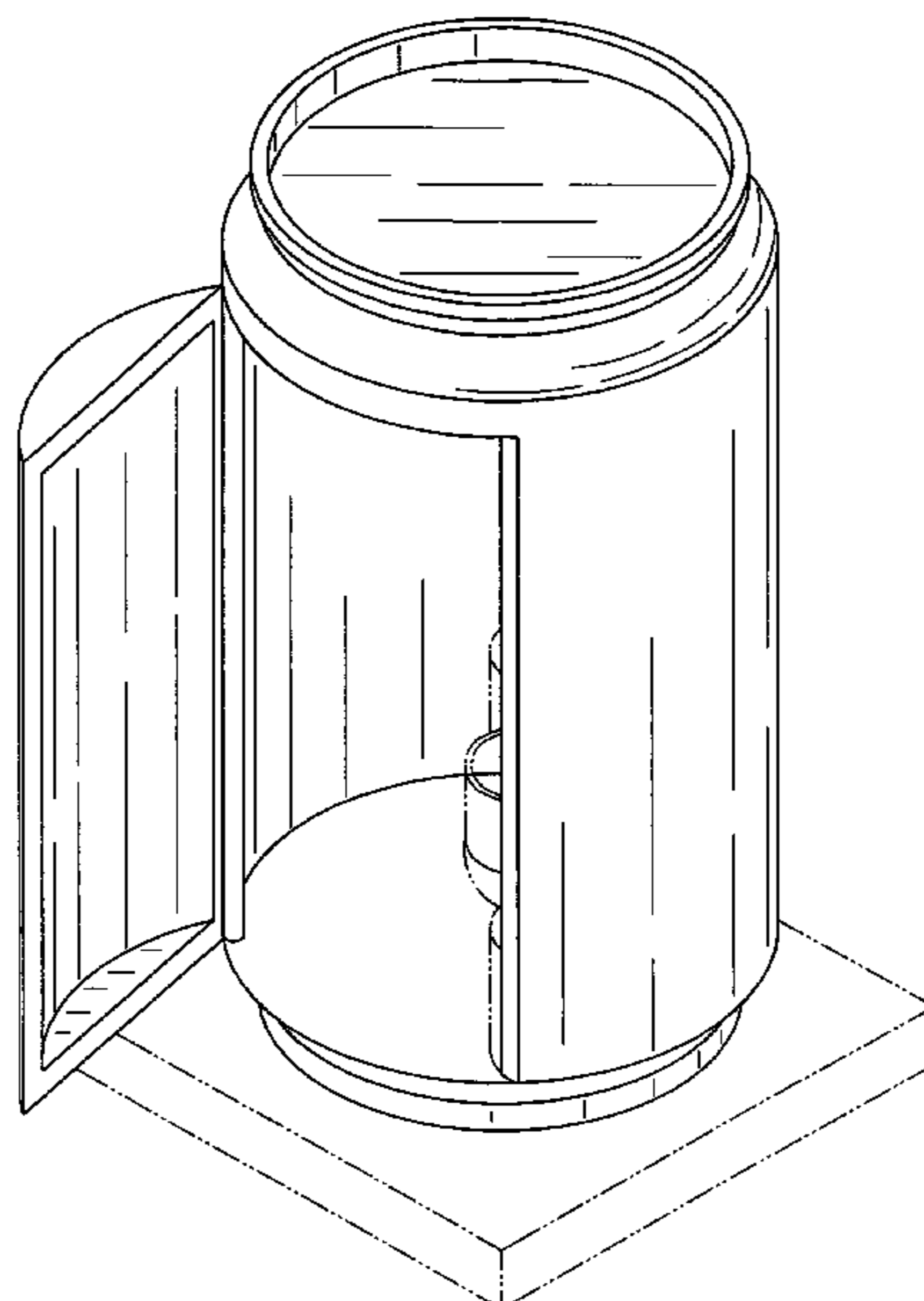
FIG. 14 is a front elevational view of the portable toilet of FIG. 9;

FIG. 15 is a left-side elevational view of the portable toilet of FIG. 9; and,

FIG. 16 is a right-side elevational view of the portable toilet of FIG. 9.

The broken line showing of the platform base in FIGS. 1-16 and the broken line showing of the interior toilet fixtures in FIGS. 1, 6, 9 and 14, is included for the purpose of illustrating portions of the portable toilet and forms no part of the claimed design.

**1 Claim, 10 Drawing Sheets**



# US D545,451 S

Page 2

---

## U.S. PATENT DOCUMENTS

D424,667 S *	5/2000	Ariza et al. ....	D23/299	D460,813 S *	7/2002	Lundstrom .....	D23/302
D452,901 S *	1/2002	Wieringa .....	D23/299	D489,459 S *	5/2004	Linn .....	D25/16
6,349,426 B1 *	2/2002	Wieringa .....	4/449	D519,645 S *	4/2006	Wright et al. ....	D25/16
D460,539 S *	7/2002	Lundstrom .....	D23/302	D530,685 S *	10/2006	Dupuis .....	D14/125

\* cited by examiner

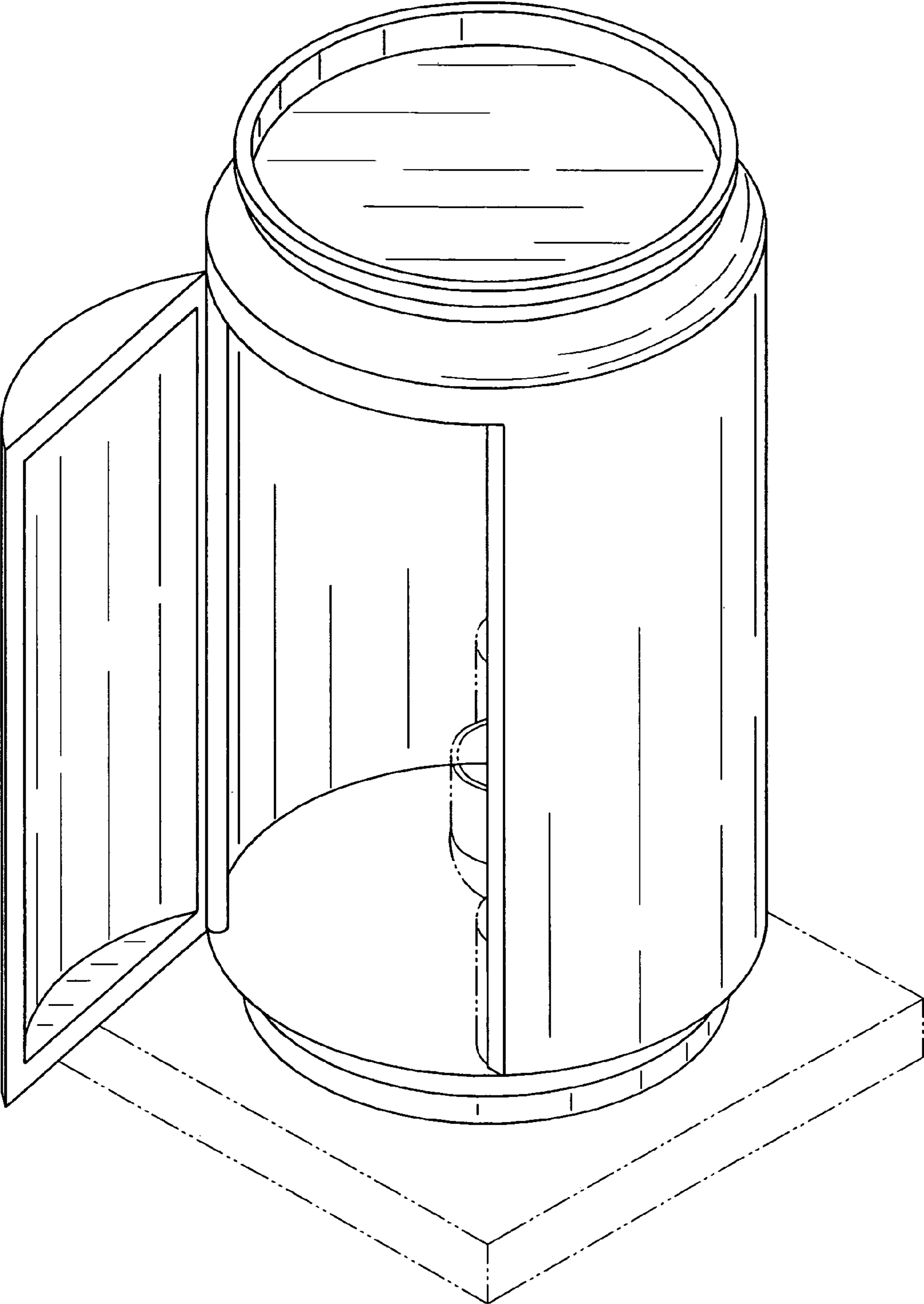
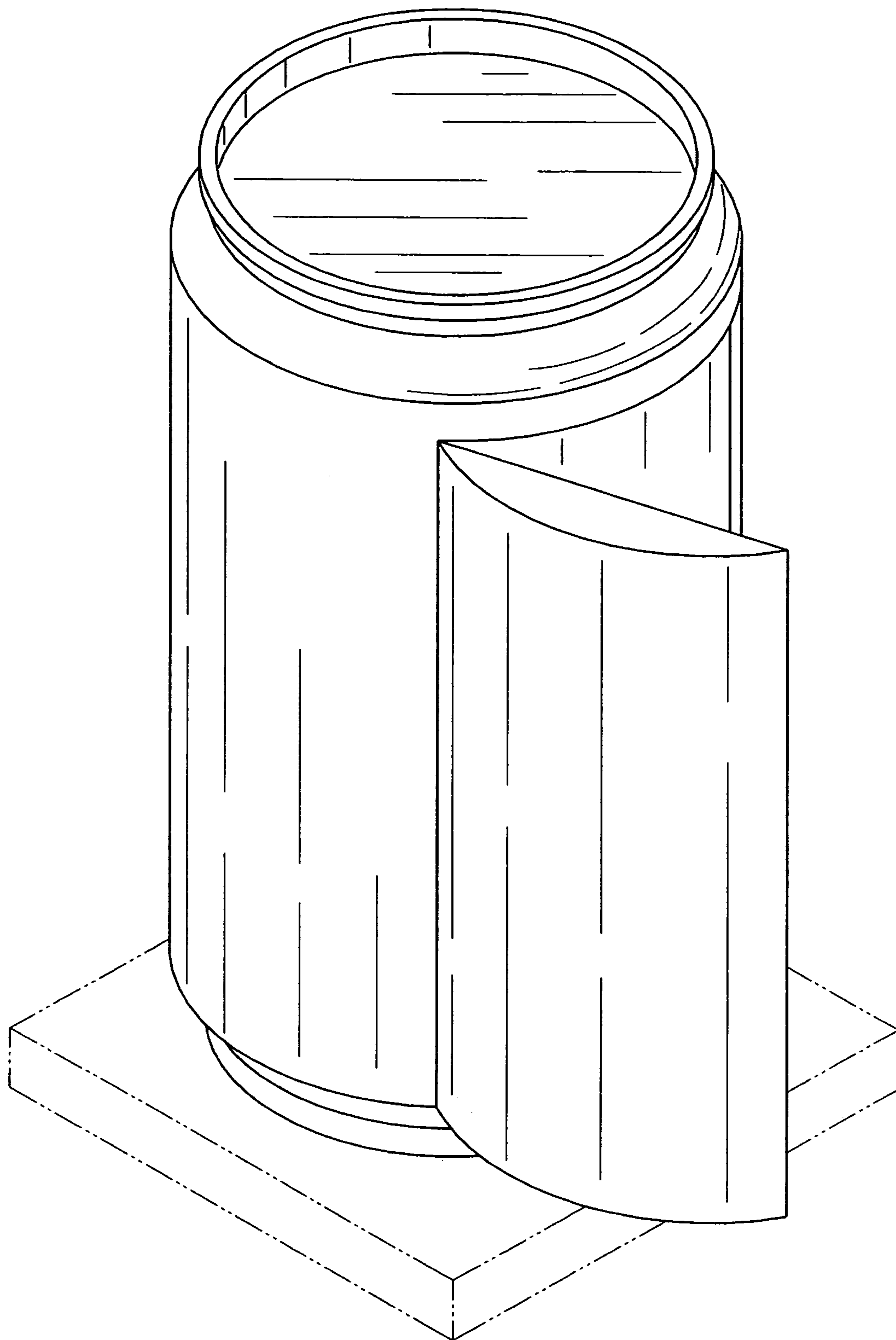
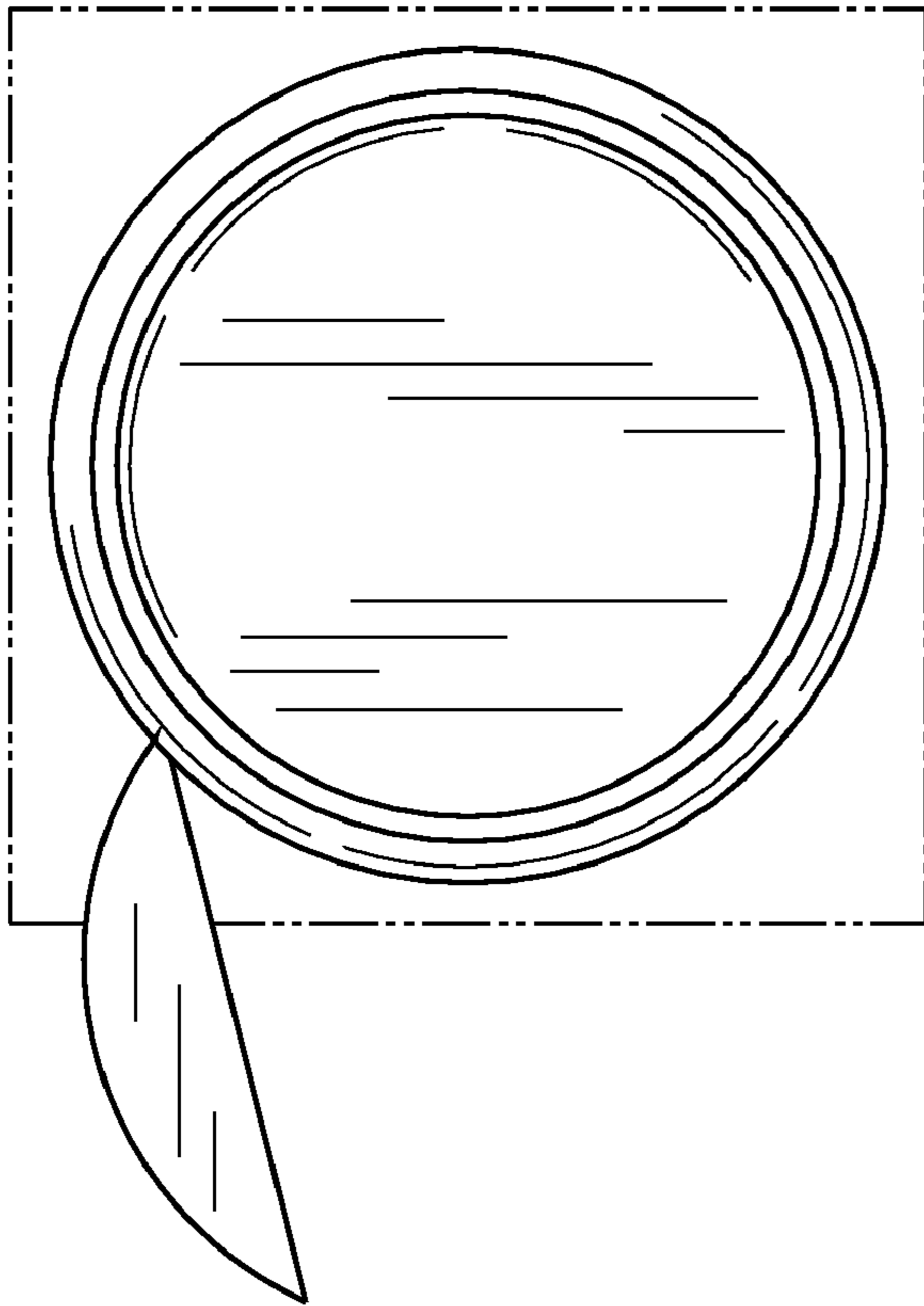


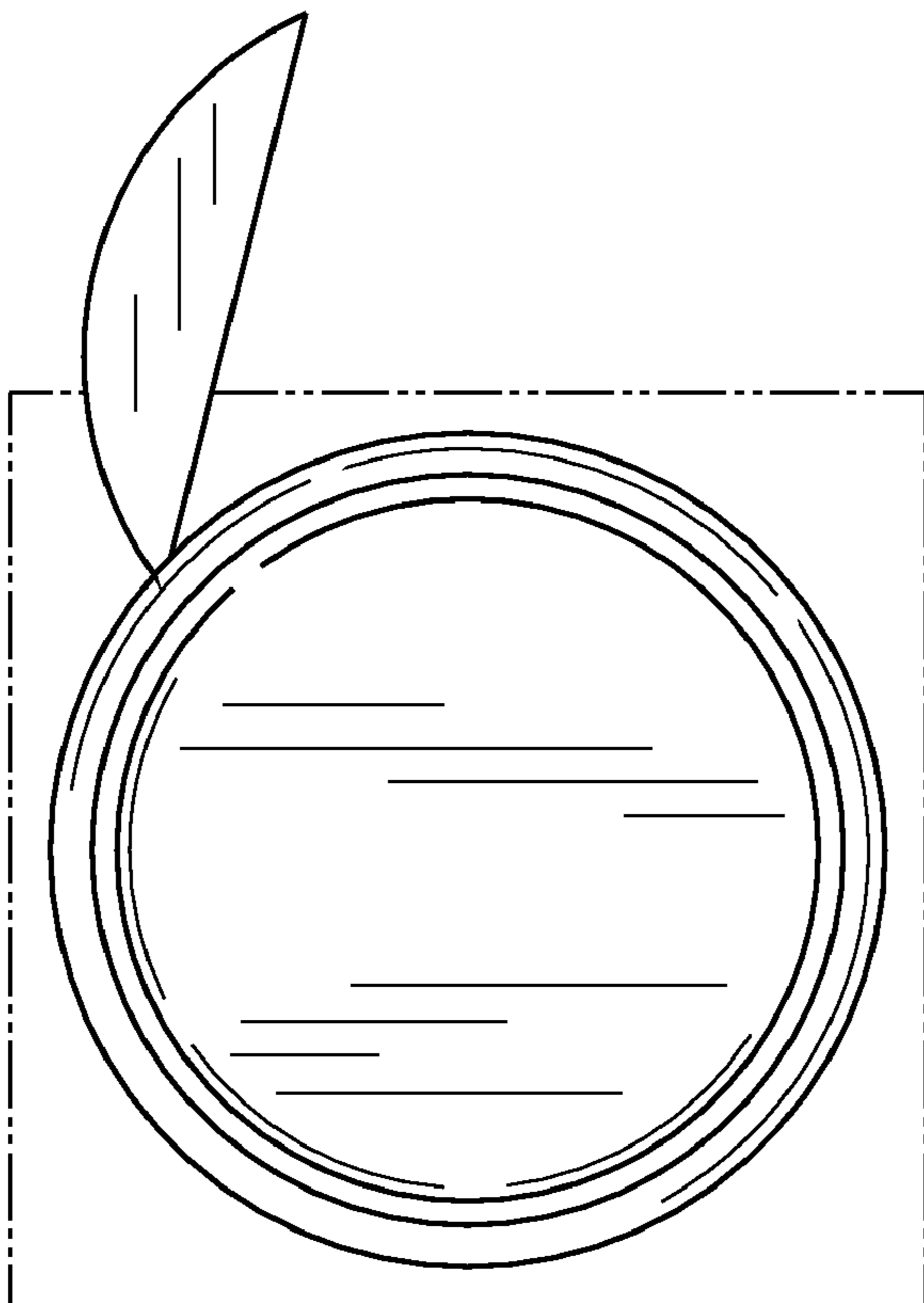
Fig. 1



*Fig. 2*



*Fig. 3*



*Fig. 4*

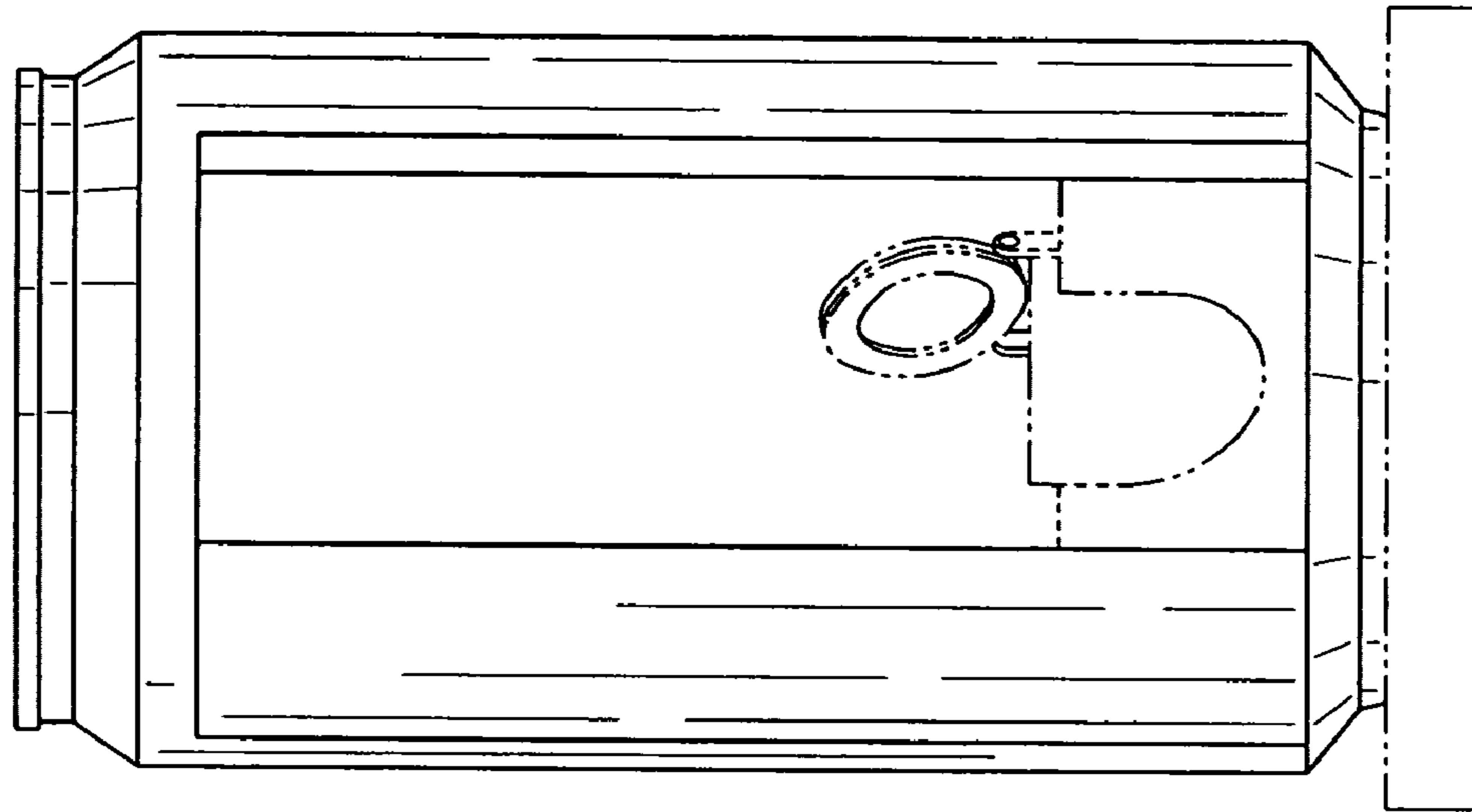


Fig. 5

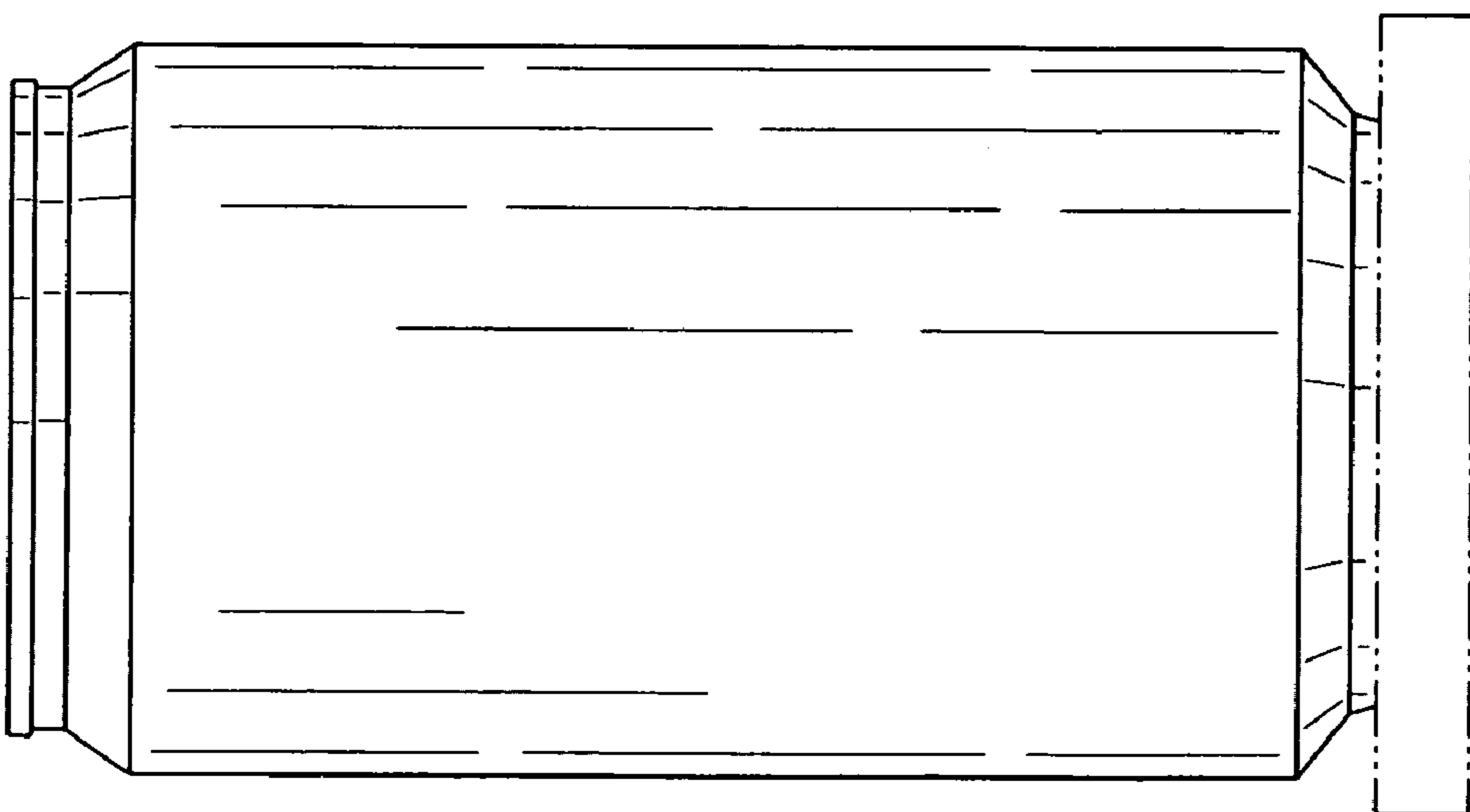


Fig. 6

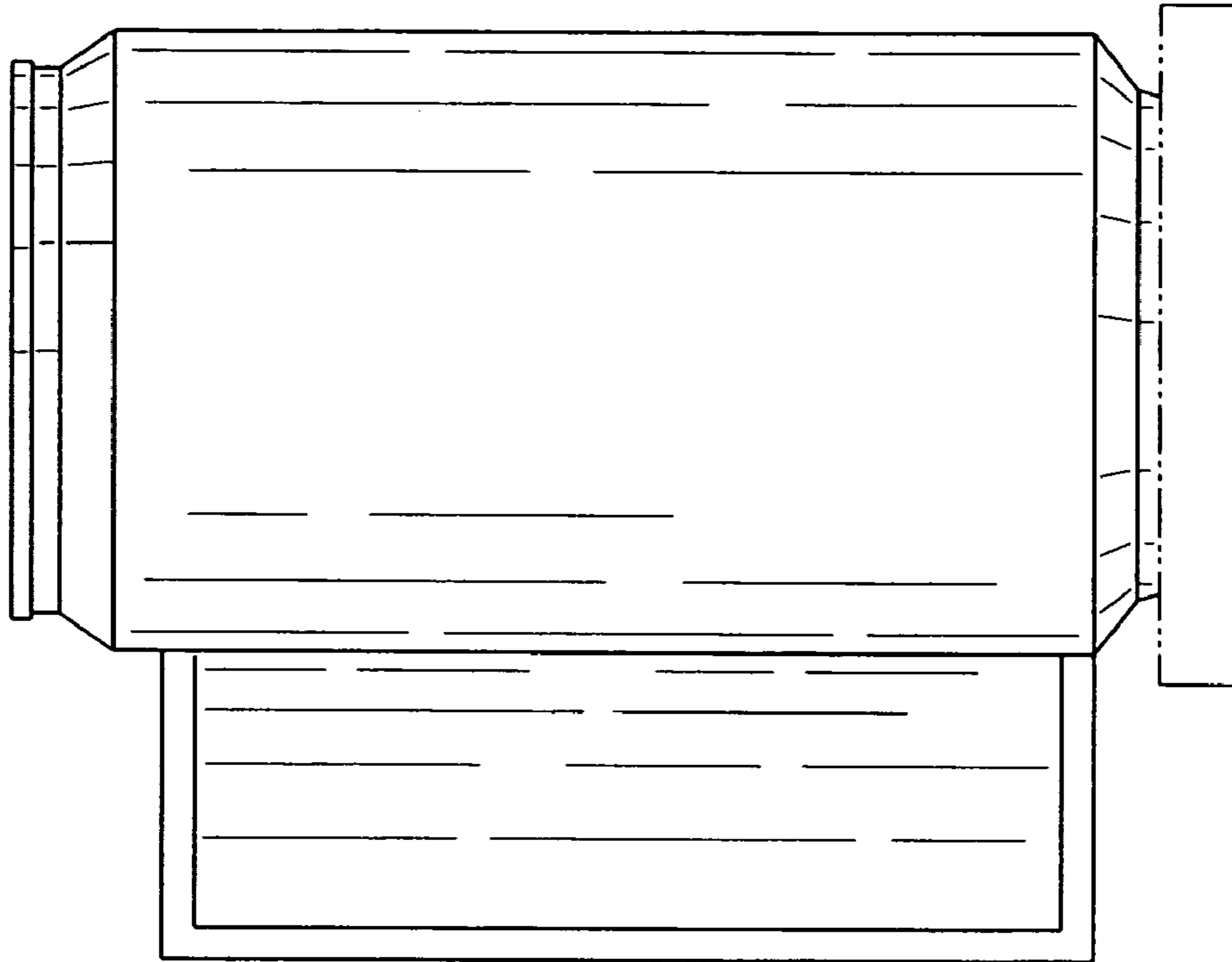


Fig. 8

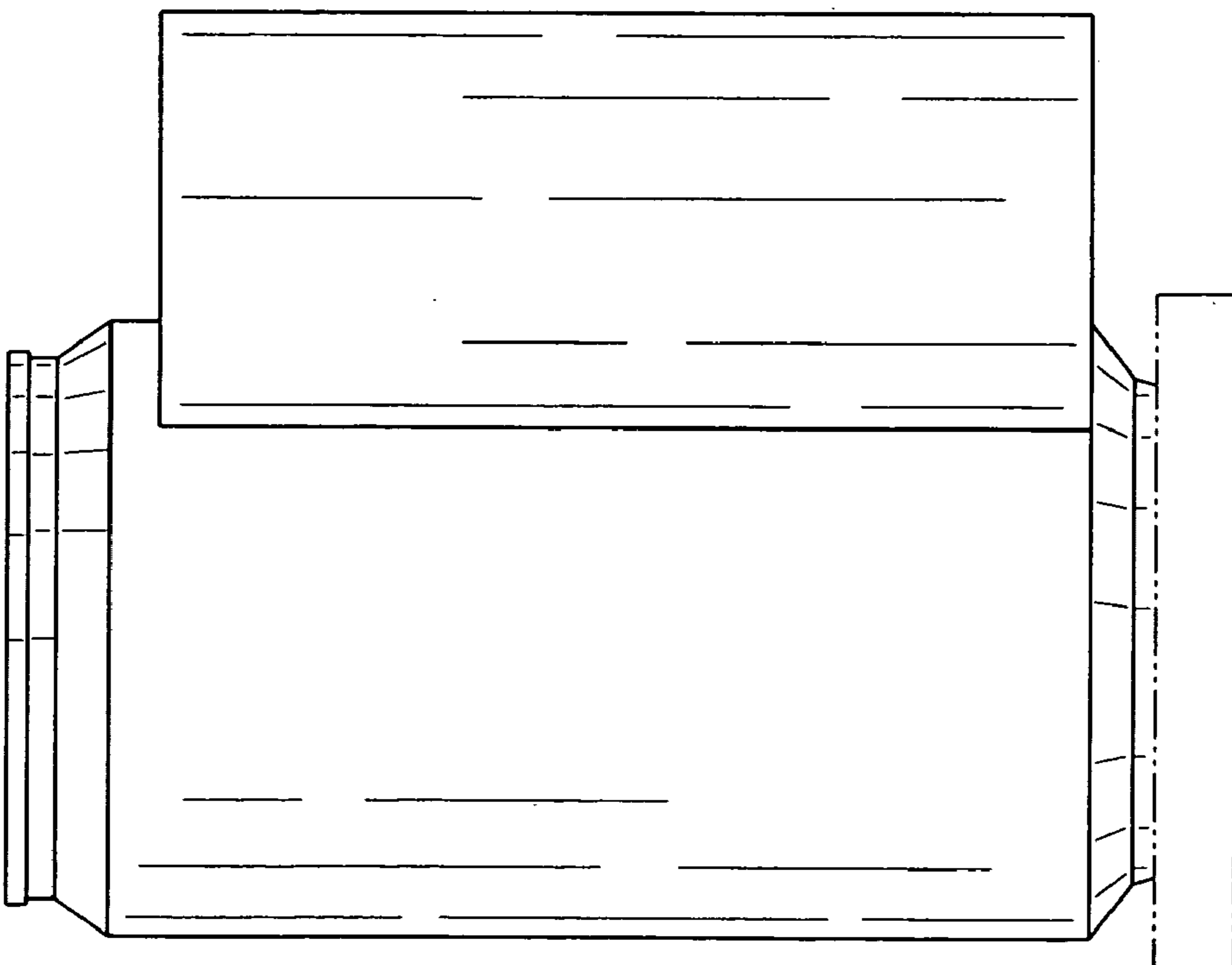


Fig. 7



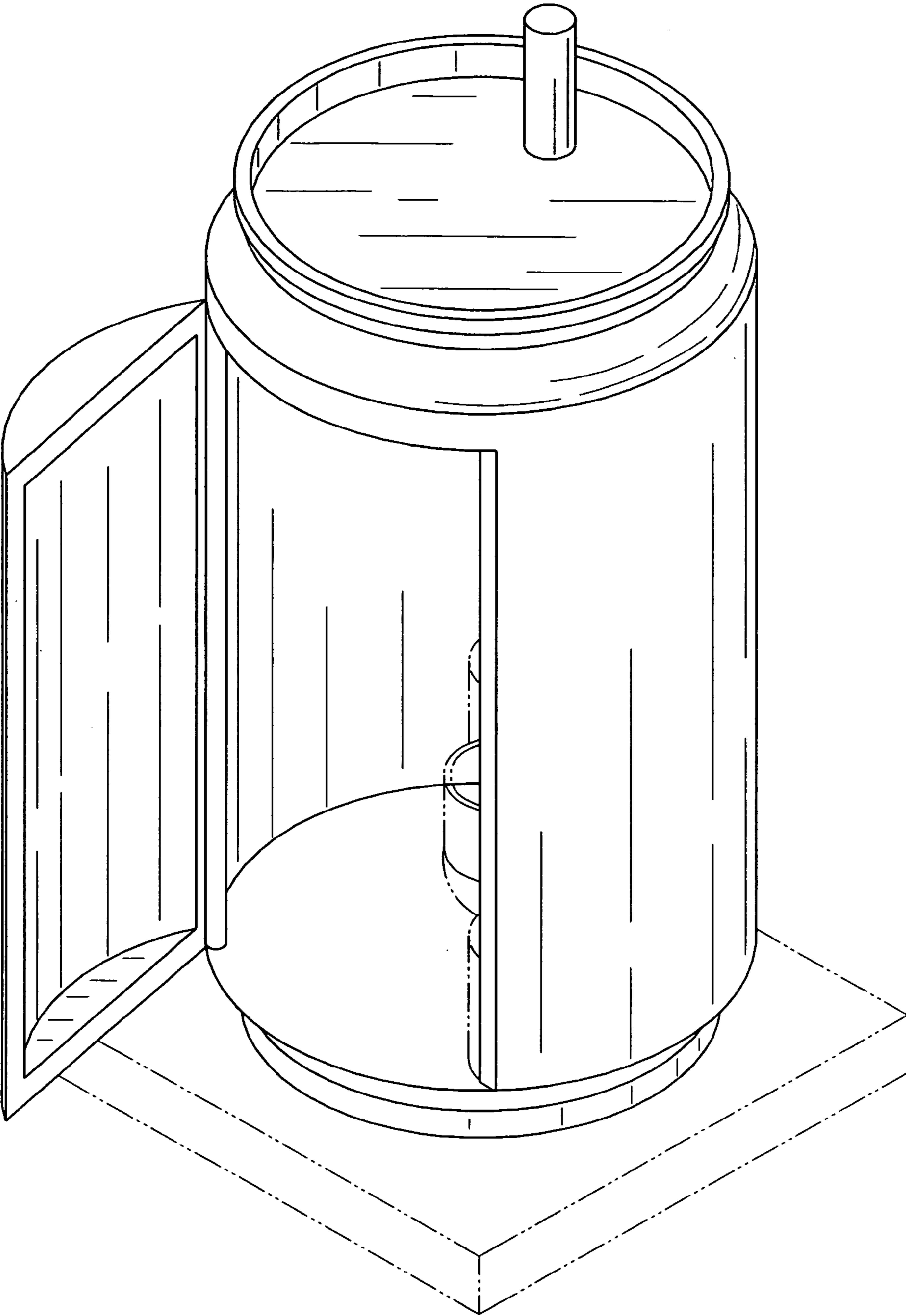
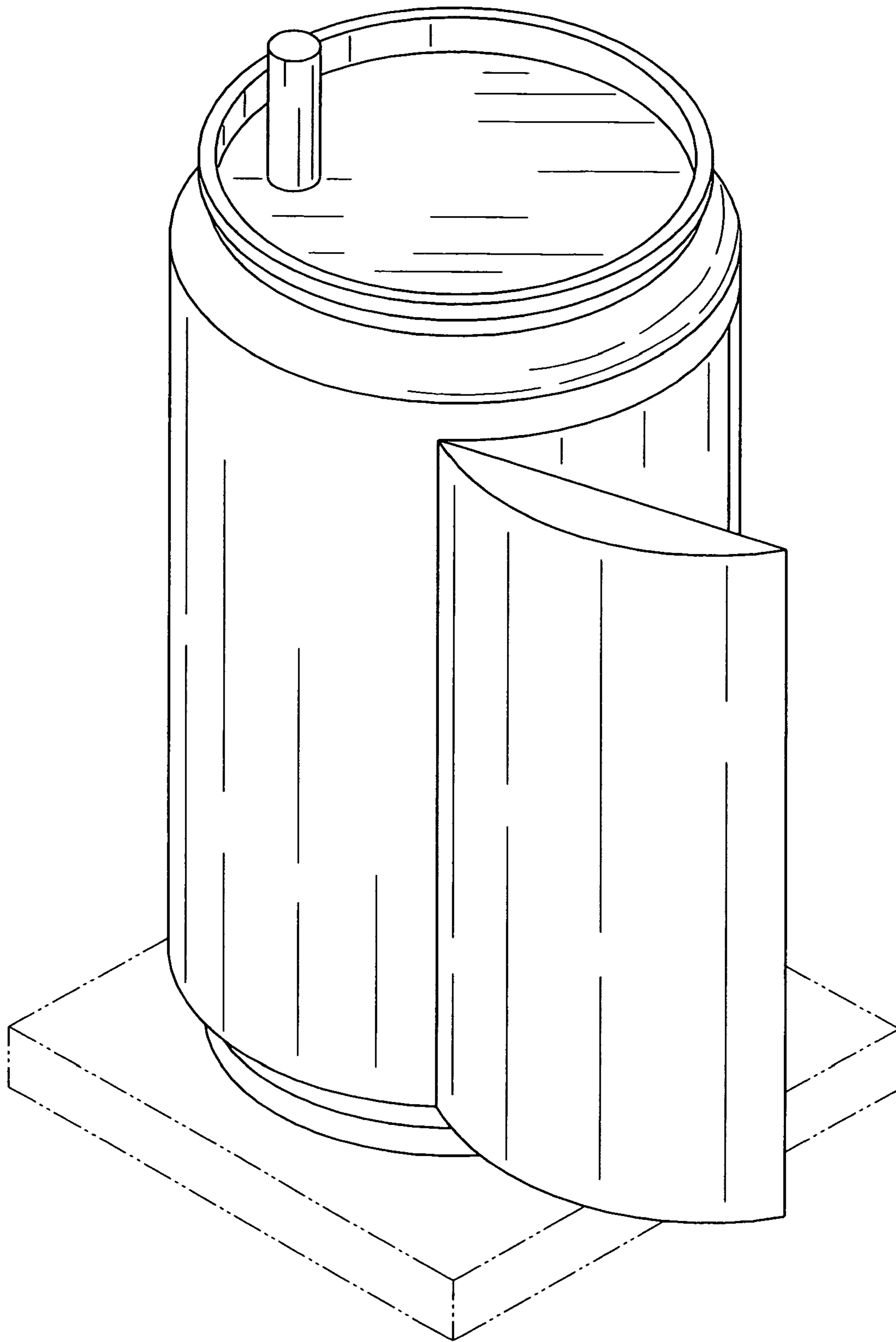
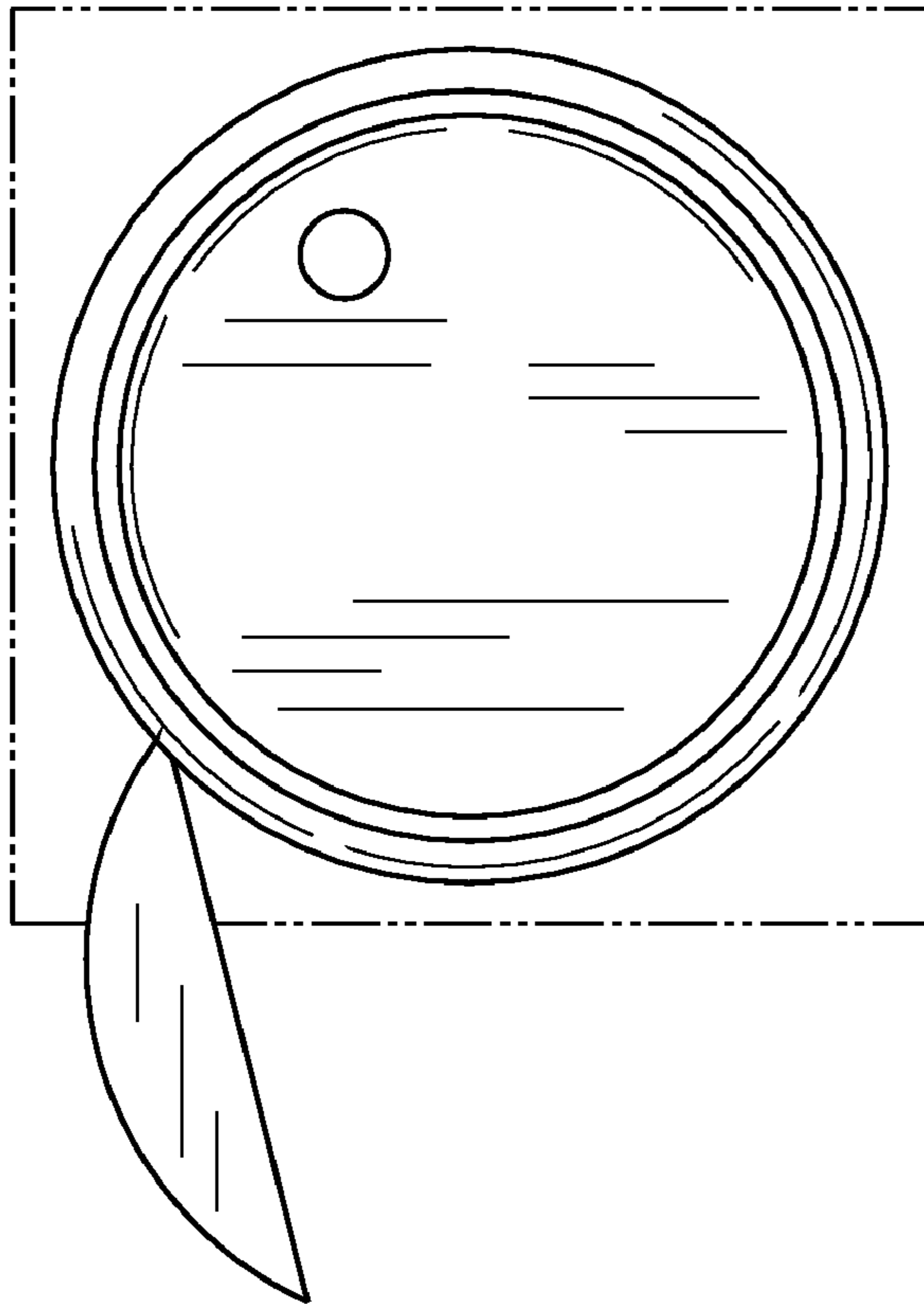


Fig. 9

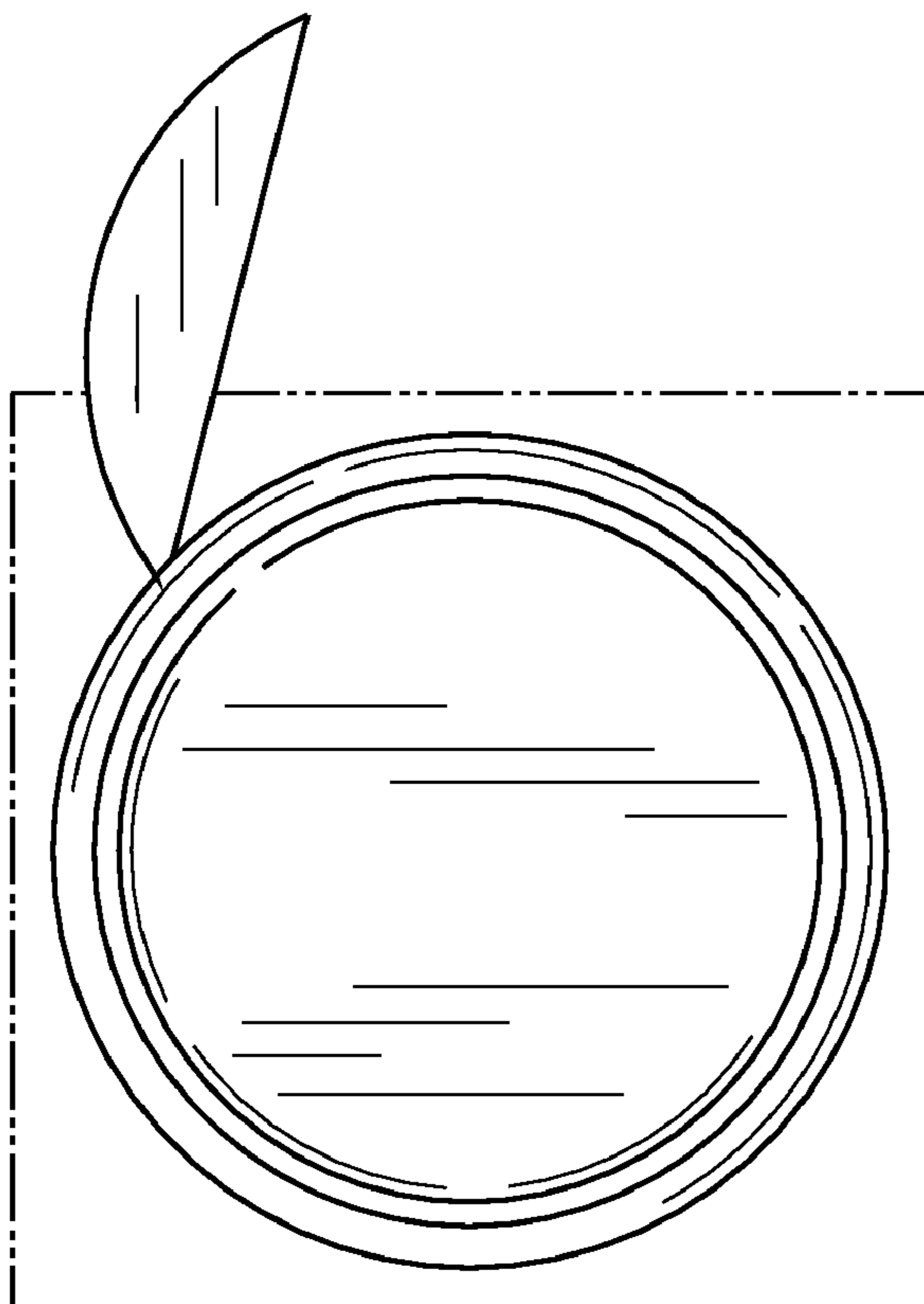




*Fig. 10*



*Fig. 11*



*Fig. 12*

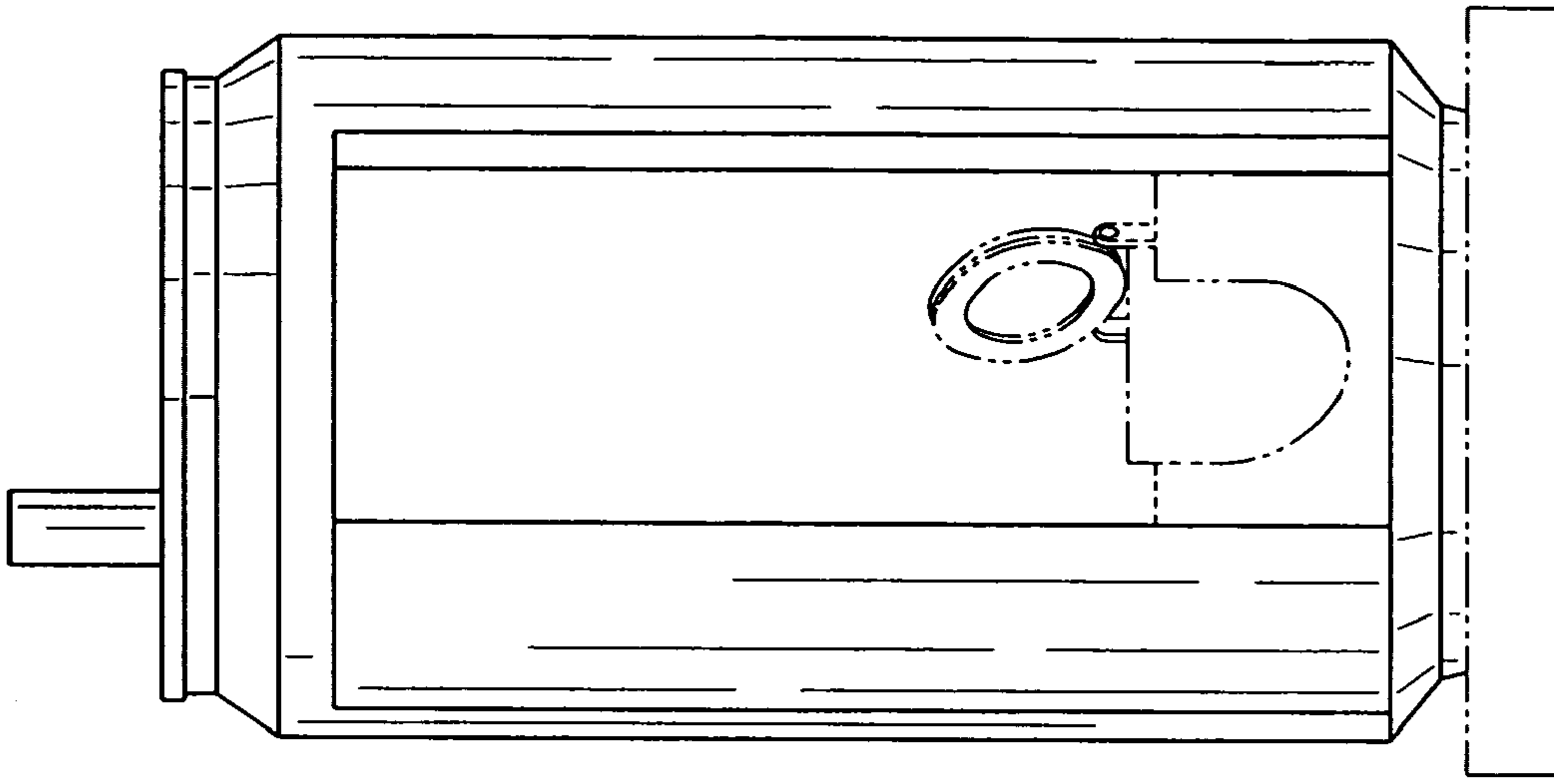


Fig. 14

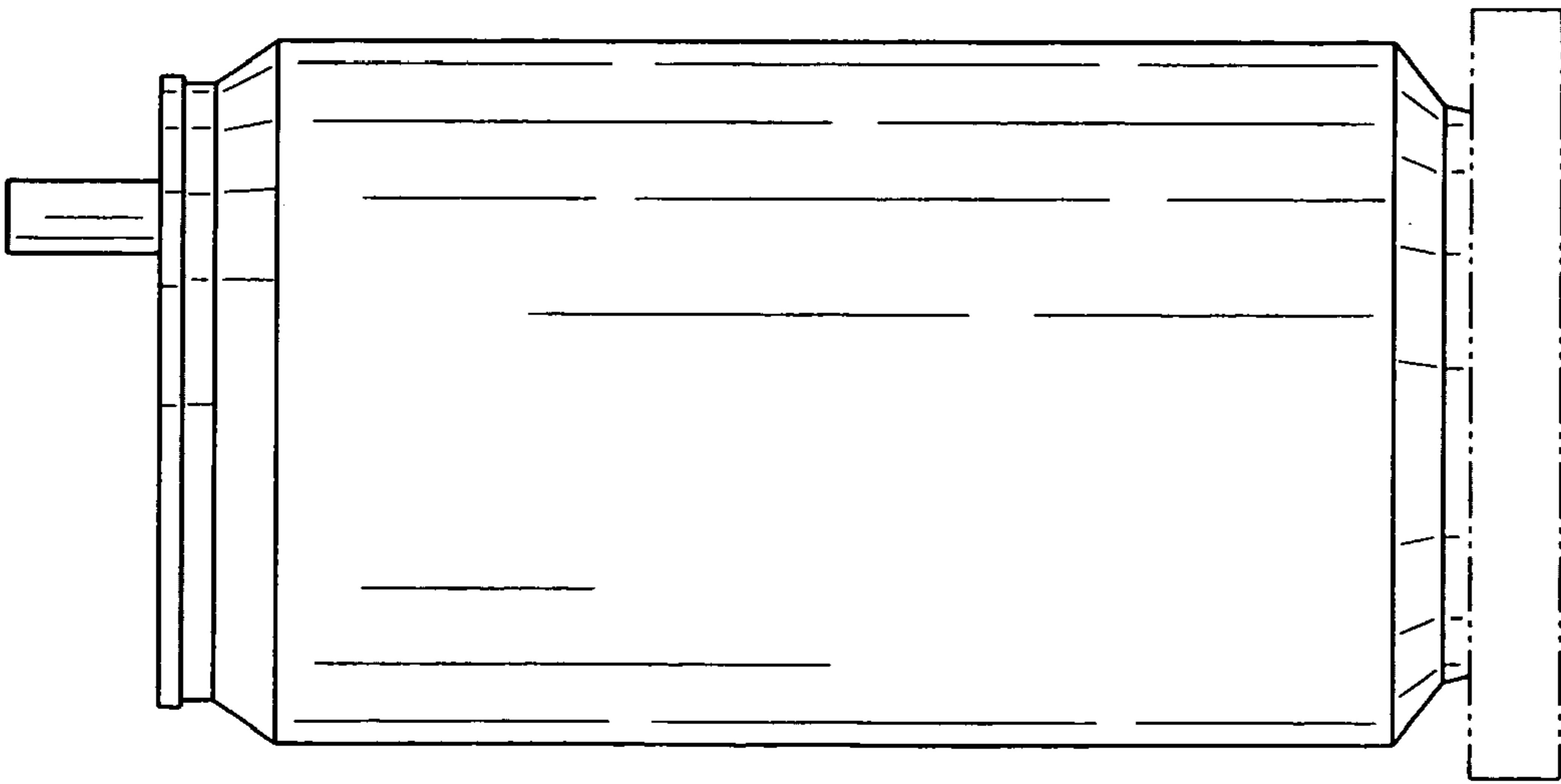


Fig. 13

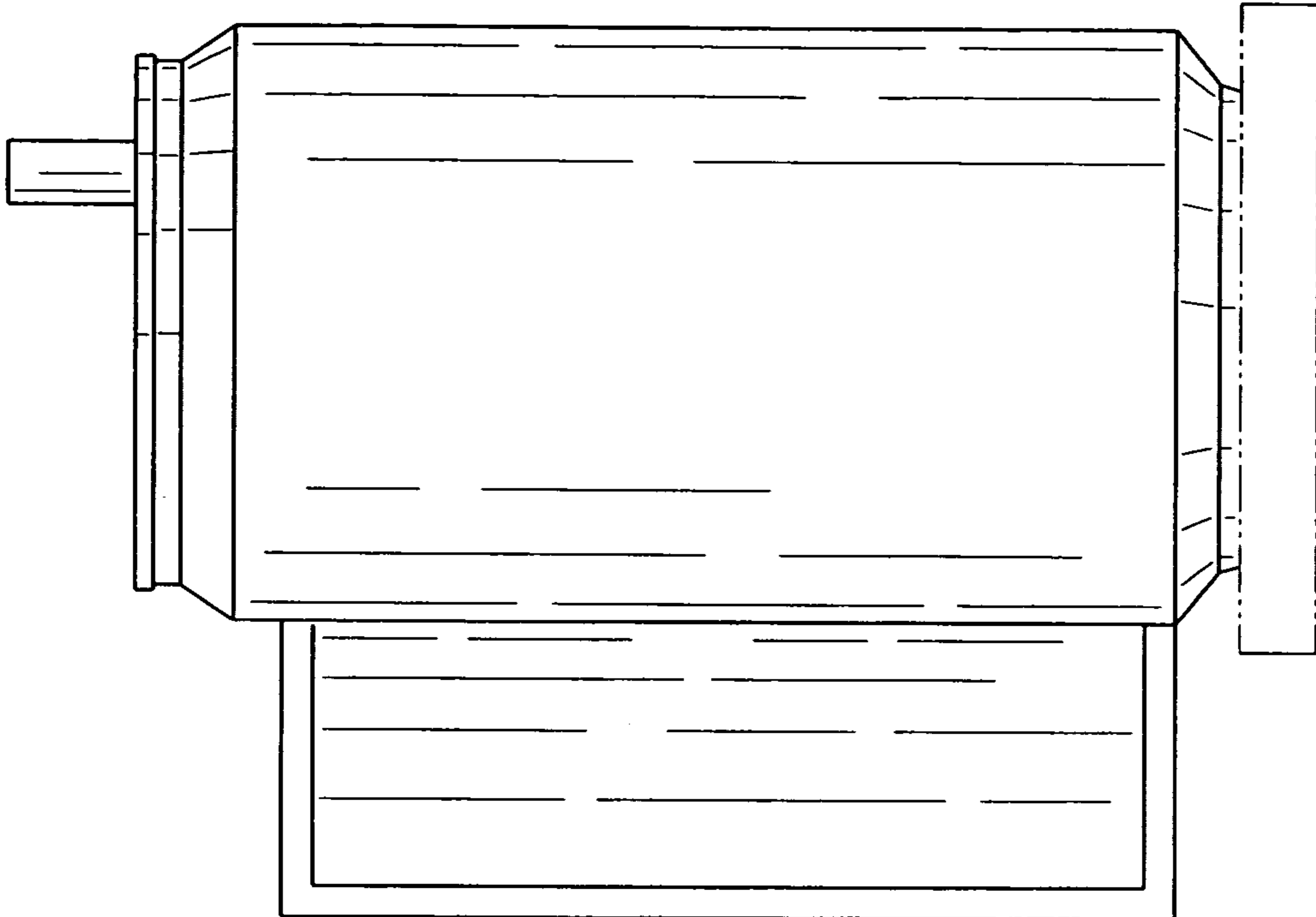


Fig. 16

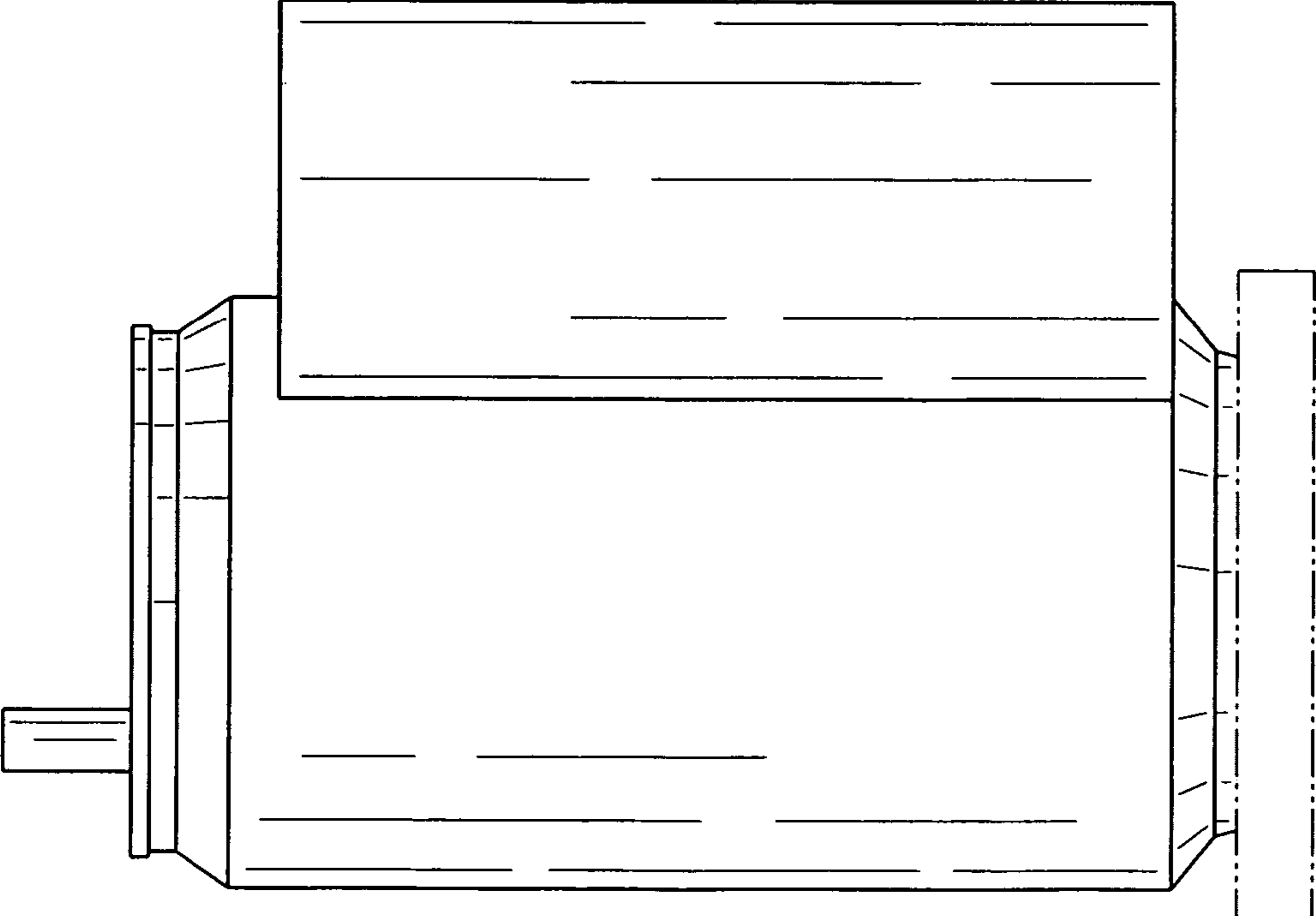


Fig. 15