



US00D545449S

(12) **United States Design Patent**
Cosselmon et al.

(10) **Patent No.:** **US D545,449 S**

(45) **Date of Patent:** **** Jun. 26, 2007**

(54) **GEL BAND PICKING HEAD**

(75) Inventors: **William Edward Cosselmon**,
Charlottesville, VA (US); **Stephen E. Allen**,
Milford, MA (US); **Timothy Shea Wadkins**,
Durham, NC (US)

(73) Assignee: **Serenex, Inc.**, Durham, NC (US)

(**) Term: **14 Years**

(21) Appl. No.: **29/223,501**

(22) Filed: **Feb. 15, 2005**

(51) **LOC (8) Cl.** **24-02**

(52) **U.S. Cl.** **D24/233**

(58) **Field of Classification Search** D24/216-234;
73/864.44; 204/446, 456, 462, 466, 601,
204/608, 613, 616, 620; 250/288; 422/99-102;
435/6; 436/180, 509, 518, 911; 600/204.35,
600/532

See application file for complete search history.

(56) **References Cited**

U.S. PATENT DOCUMENTS

| | | | | |
|--------------|------|---------|--------------------|-----------|
| 5,527,680 | A * | 6/1996 | Tran et al. | 204/466 |
| 6,520,036 | B1 * | 2/2003 | Dweck et al. | 76/864.44 |
| 6,551,839 | B2 * | 4/2003 | Jovanovich et al. | 435/6 |
| 6,991,714 | B1 * | 1/2006 | Gauss et al. | 422/101 |
| 2002/0076718 | A1 * | 6/2002 | Shigeura et al. | 435/6 |
| 2004/0162500 | A1 * | 8/2004 | Kline | 600/532 |
| 2004/0217004 | A1 * | 11/2004 | Hayashizaki et al. | 422/102 |
| 2005/0031493 | A1 * | 2/2005 | Kipke et al. | 422/99 |

| | | | | |
|--------------|------|--------|------------------|------------|
| 2005/0164408 | A1 * | 7/2005 | Boss et al. | 436/518 |
| 2005/0203575 | A1 * | 9/2005 | Carson et al. | 606/204.35 |
| 2006/0016980 | A1 * | 1/2006 | Roeneburg et al. | 250/288 |
| 2006/0099114 | A1 * | 5/2006 | Caldwell et al. | 422/99 |

* cited by examiner

Primary Examiner—Robert A. Delehanty

Assistant Examiner—Mark Cavanna

(74) *Attorney, Agent, or Firm*—Alston & Bird LLP

(57) **CLAIM**

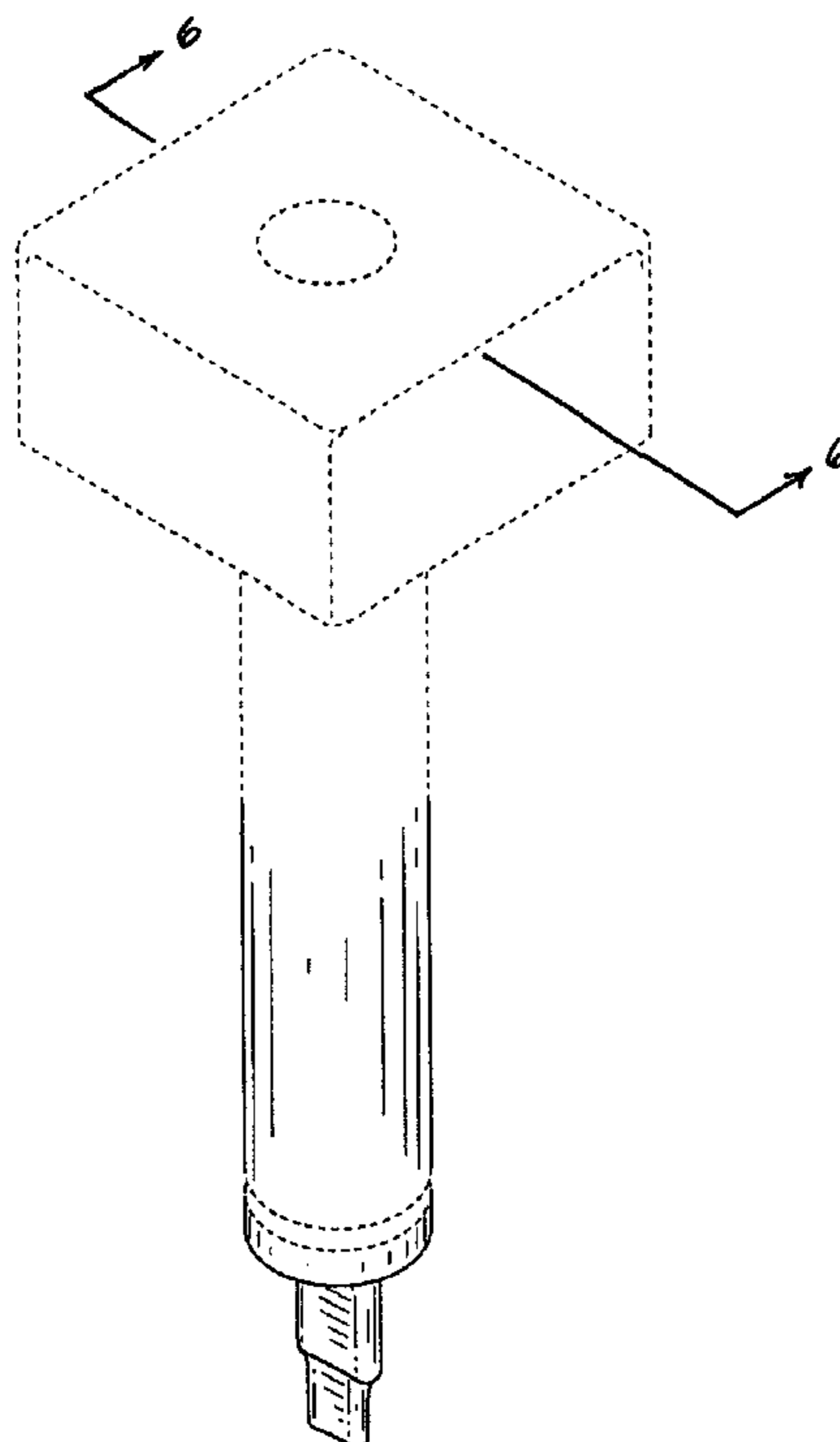
The ornamental design for a gel band picking head, as shown and described.

DESCRIPTION

FIG. 1 is a perspective view of a gel band picking head showing our new design;
 FIG. 2 is an enlarged right side elevation view, the left side elevation view being a mirror image thereof;
 FIG. 3 is an enlarged front elevation view thereof, the rear elevation view being a mirror image thereof;
 FIG. 4 is a greatly enlarged bottom plan view thereof;
 FIG. 5 is a greatly enlarged top plan view thereof;
 FIG. 6 is a perspective cross-sectional view thereof taken along line 6-6 shown in FIG. 1; and,
 FIG. 7 is a cross-sectional view thereof taken along line 7-7 in FIG. 5.

The broken lines showing the block with upper tube portion and the indent near the tip of the gel band picking head are for illustrative purposes only and form no part of the claimed design.

1 Claim, 6 Drawing Sheets



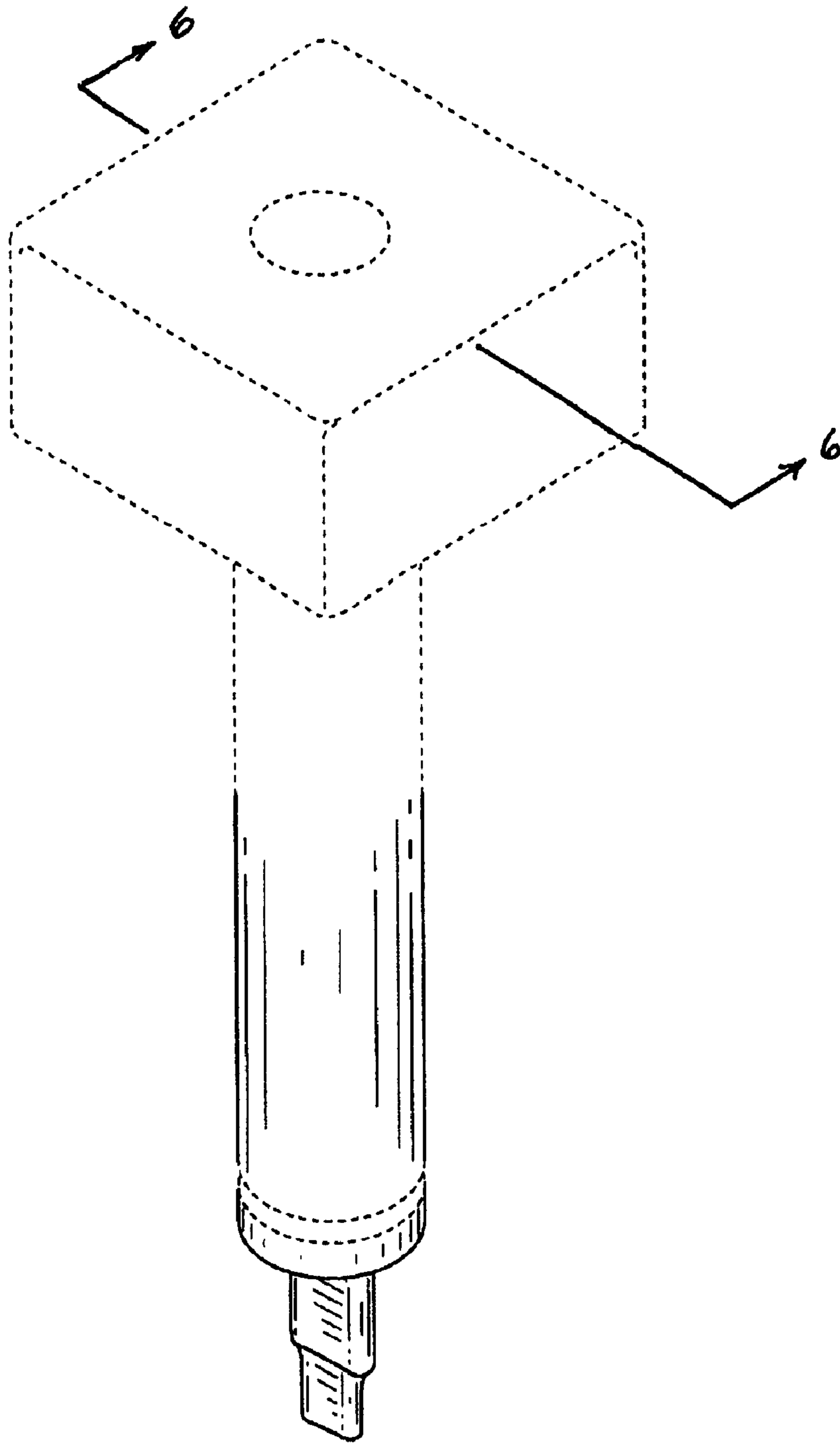


FIG. 1

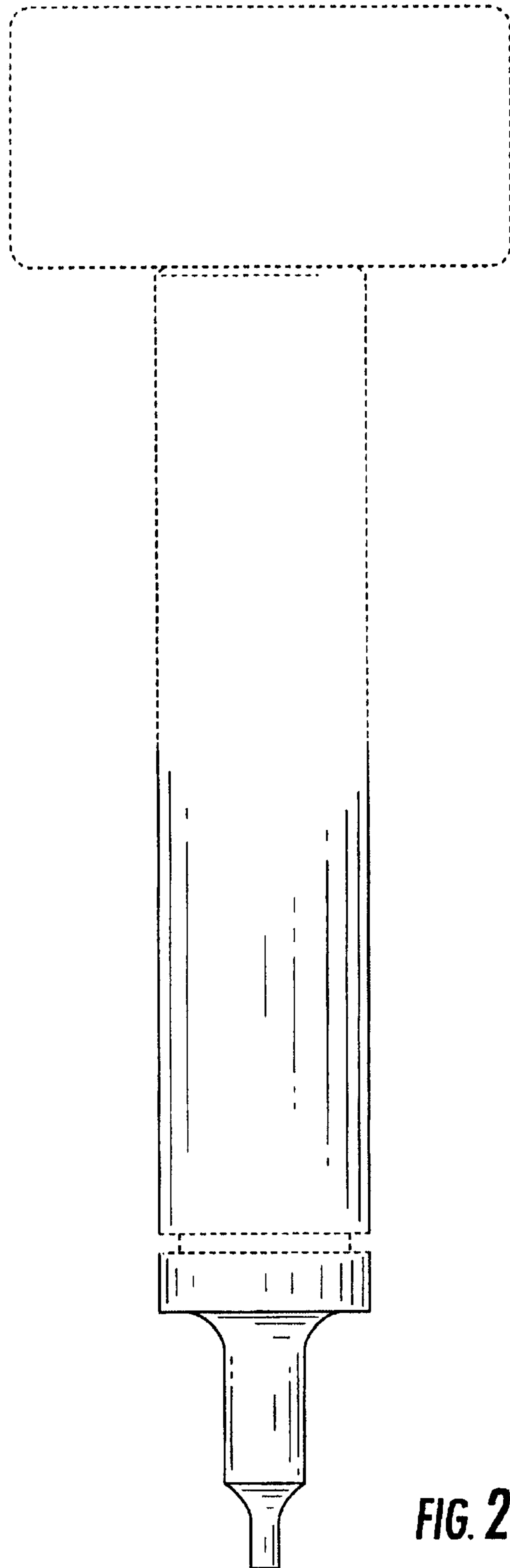


FIG. 2

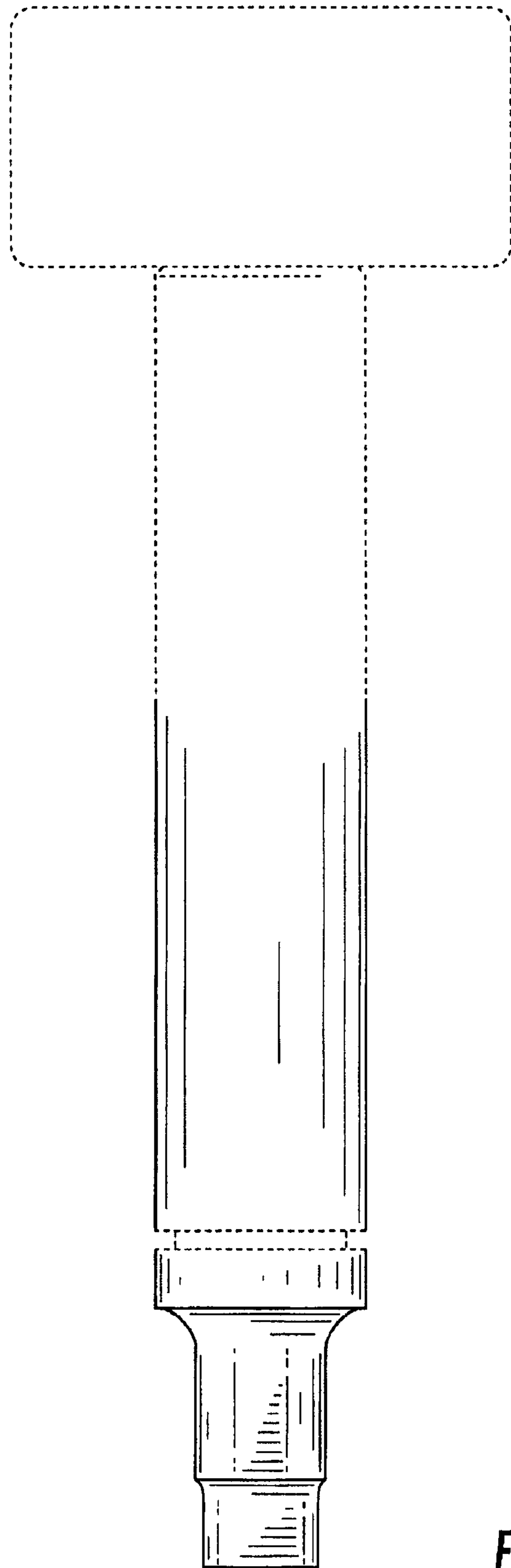


FIG. 3

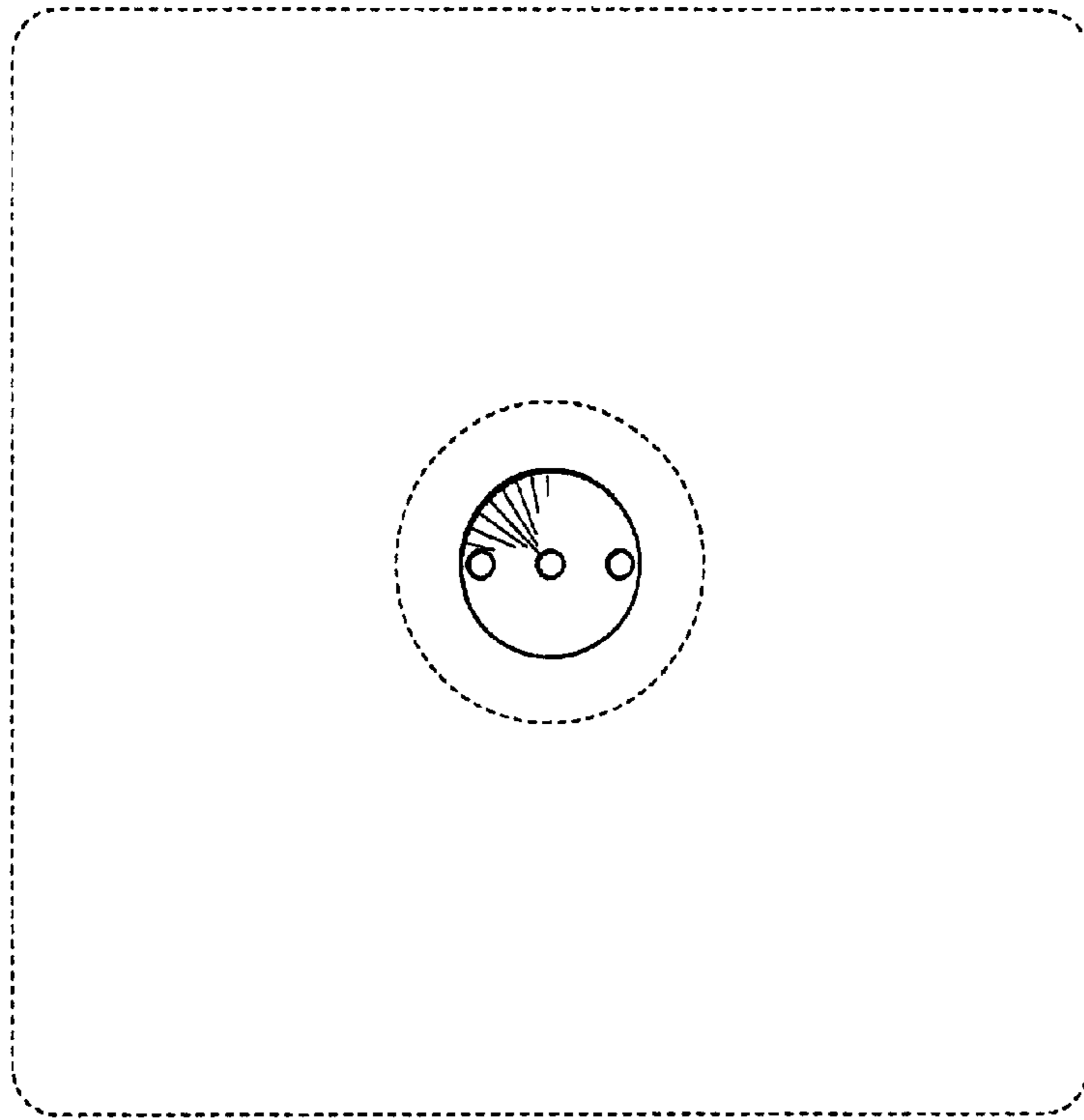


FIG. 4

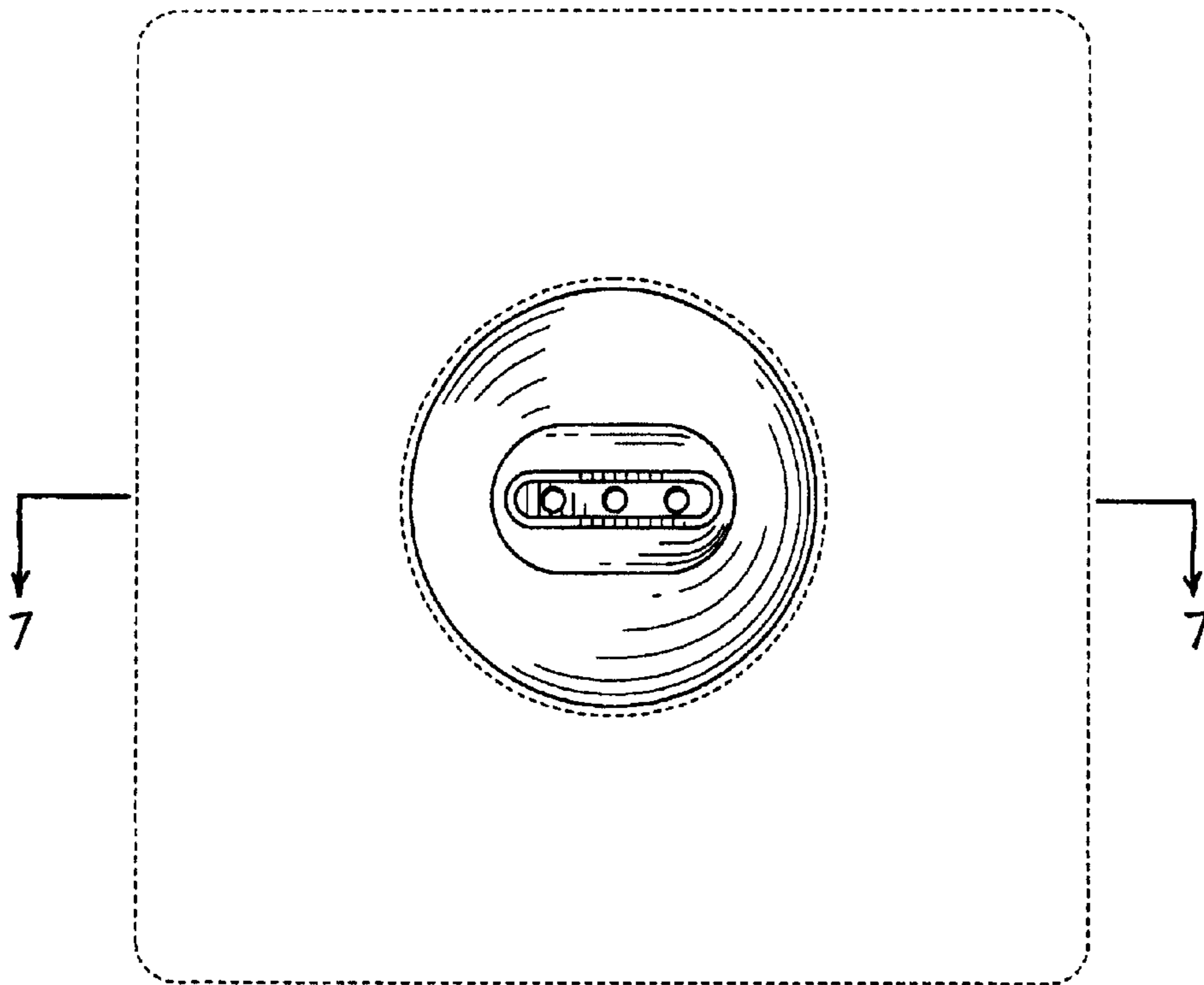


FIG. 5

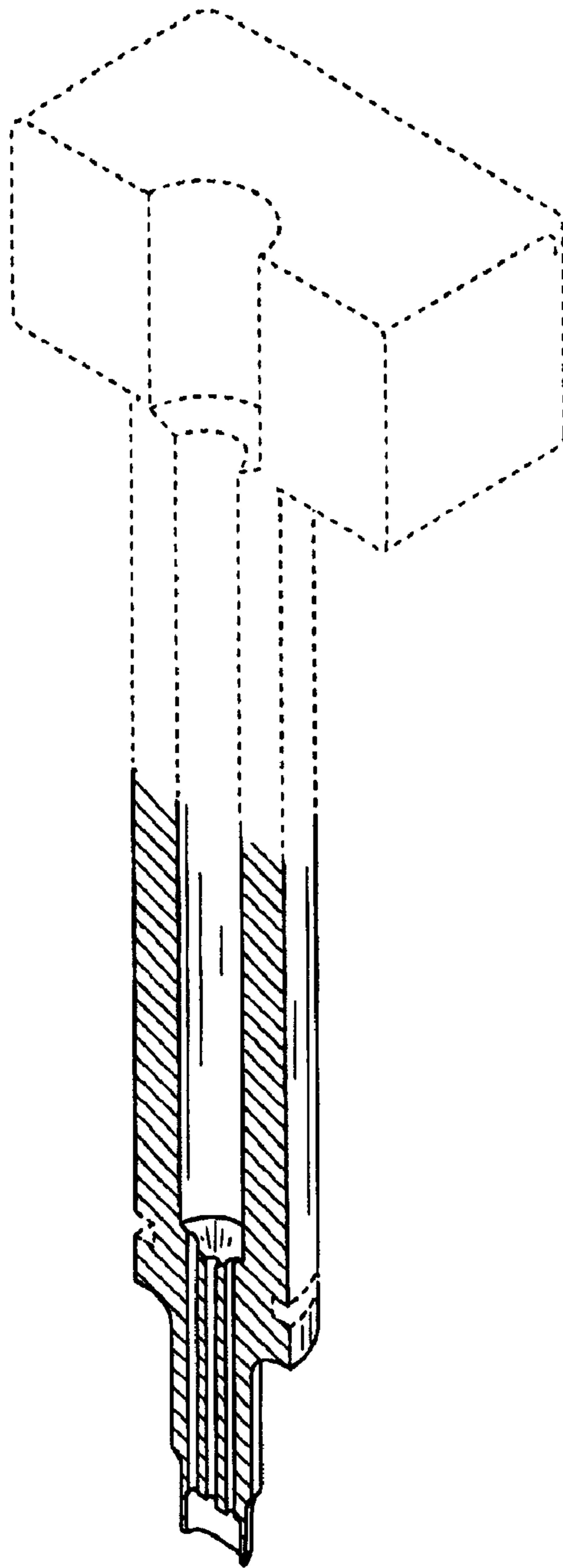


FIG. 6

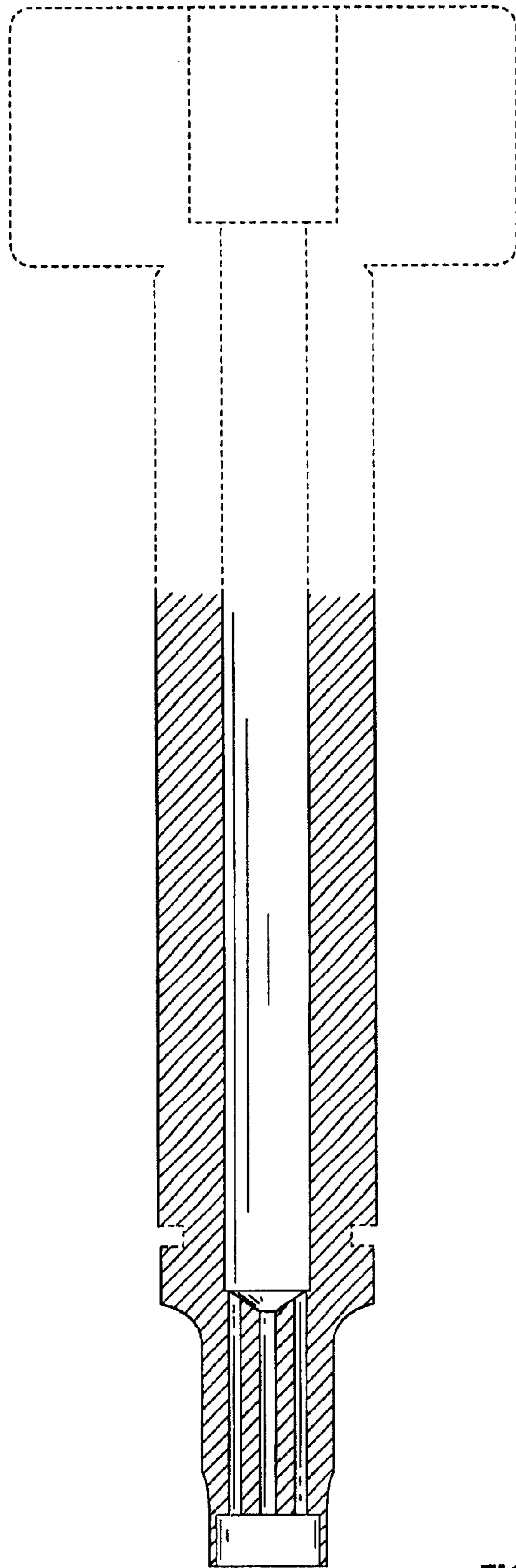


FIG. 7