



US00D545448S

(12) **United States Design Patent**
Eriksson et al.

(10) **Patent No.:** **US D545,448 S**
(45) **Date of Patent:** **** Jun. 26, 2007**

(54) **VIAL AND TUBING THEREFOR**

(75) Inventors: **Per Gunnar Eriksson**, Uppsala (SE);
Johan Ulin, Uppsala (SE); **Fredrik Ekdahl**, Stockholm (SE)

(73) Assignee: **Biotage AB**, Uppsala (SE)

(**) Term: **14 Years**

(21) Appl. No.: **29/183,804**

(22) Filed: **Jun. 18, 2003**

(30) **Foreign Application Priority Data**

Dec. 18, 2002 (SE) 02-1816

(51) **LOC (8) Cl.** **24-02**

(52) **U.S. Cl.** **D24/224**

(58) **Field of Classification Search** D24/108,
D24/219-234; D9/504, 521; 422/99-103;
600/573; 604/403, 415, 416, 905

See application file for complete search history.

(56) **References Cited**

U.S. PATENT DOCUMENTS

D259,440 S	*	6/1981	Martin et al.	D9/521
4,852,584 A	*	8/1989	Selby	600/573
D318,728 S	*	7/1991	Braune	D24/224
D330,598 S	*	10/1992	Bottner	D9/504
5,554,128 A	*	9/1996	Hedges	604/905
D401,697 S	*	11/1998	Cloonan et al.	D24/224
D425,618 S	*	5/2000	Niermann et al.	D24/216
D431,299 S	*	9/2000	Lammie	D24/224

6,189,580 B1	*	2/2001	Thibault et al.	604/416
D453,572 S	*	2/2002	Livecchi	D24/224
6,875,203 B1	*	4/2005	Fowles et al.	604/415
2004/0082899 A1	*	4/2004	Mathias et al.	604/403

* cited by examiner

Primary Examiner—Louis S. Zarfaz

Assistant Examiner—Mark Cavanna

(74) *Attorney, Agent, or Firm*—Young & Thompson

(57) **CLAIM**

The ornamental design for vial and tubing therefor, as shown and described.

DESCRIPTION

FIG. 1 is a perspective view of a vial and tubing showing our new design;

FIG. 2 is another perspective view from the end opposite that shown in FIG. 1;

FIG. 3 is a side elevational view thereof;

FIG. 4 is a side view opposite that shown in FIG. 3 thereof;

FIG. 5 is a top view thereof;

FIG. 6 is a bottom view thereof;

FIG. 7 is a perspective view of the tubing show separately for clarity of illustration;

FIG. 8 is a perspective view from the end opposite that shown in FIG. 7;

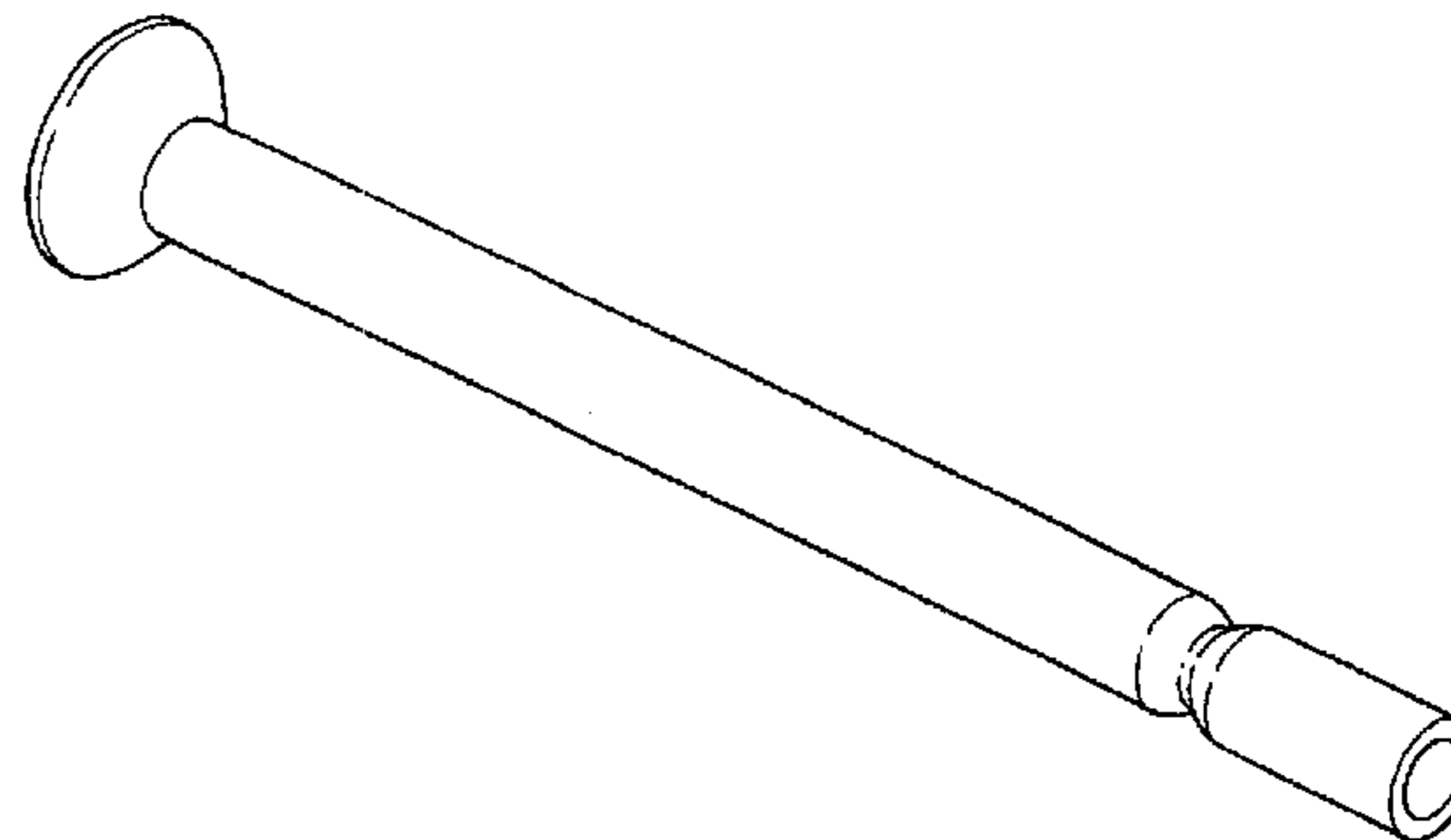
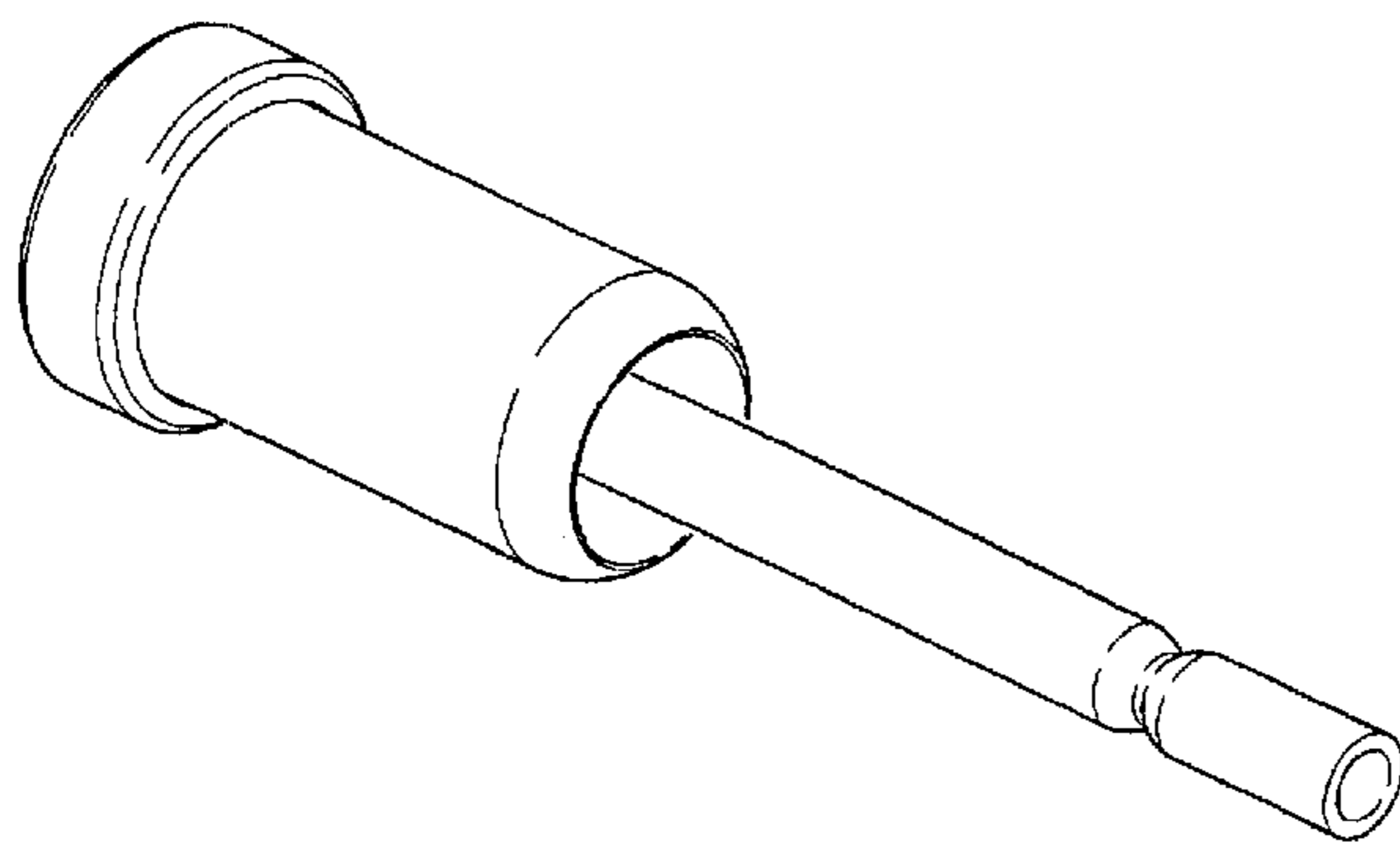
FIG. 9 is a side elevational view thereof;

FIG. 10 is a side view opposite that shown in FIG. 9 thereof;

FIG. 11 is a top view thereof; and,

FIG. 12 is a bottom view thereof.

1 Claim, 2 Drawing Sheets



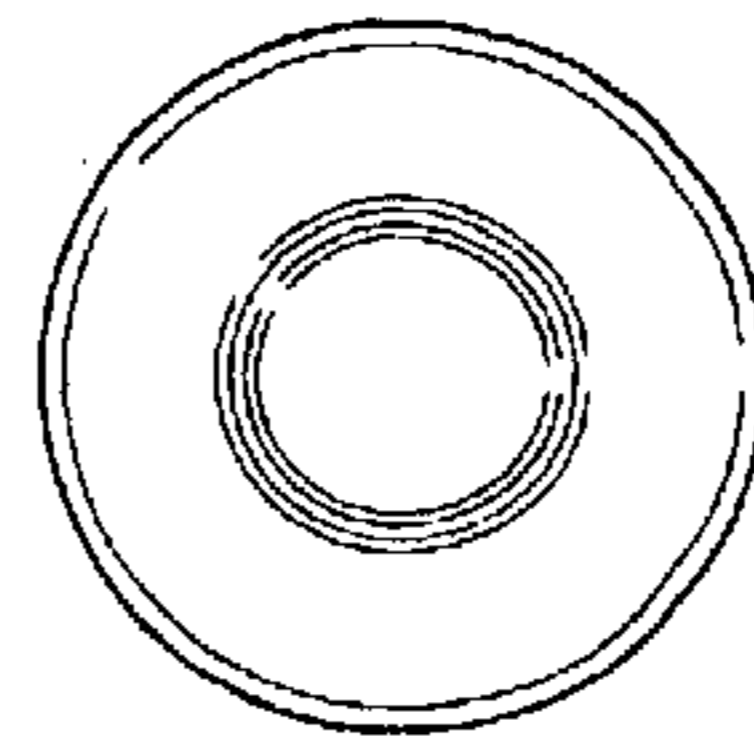
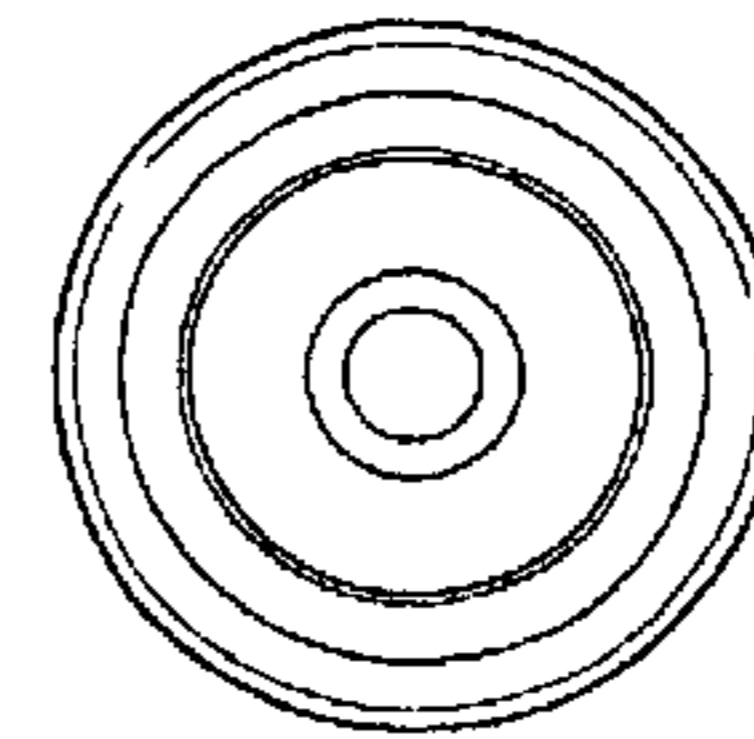
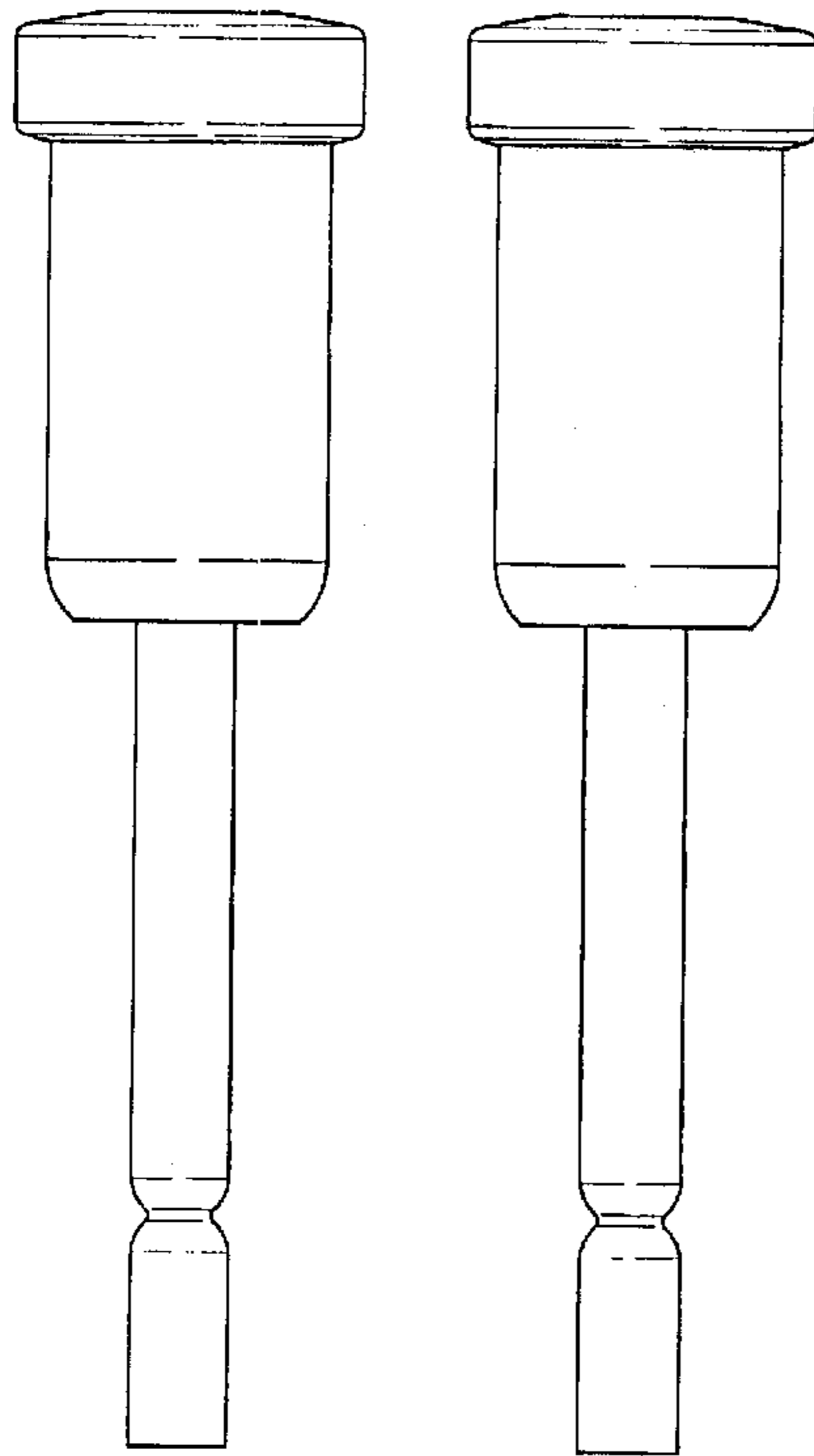
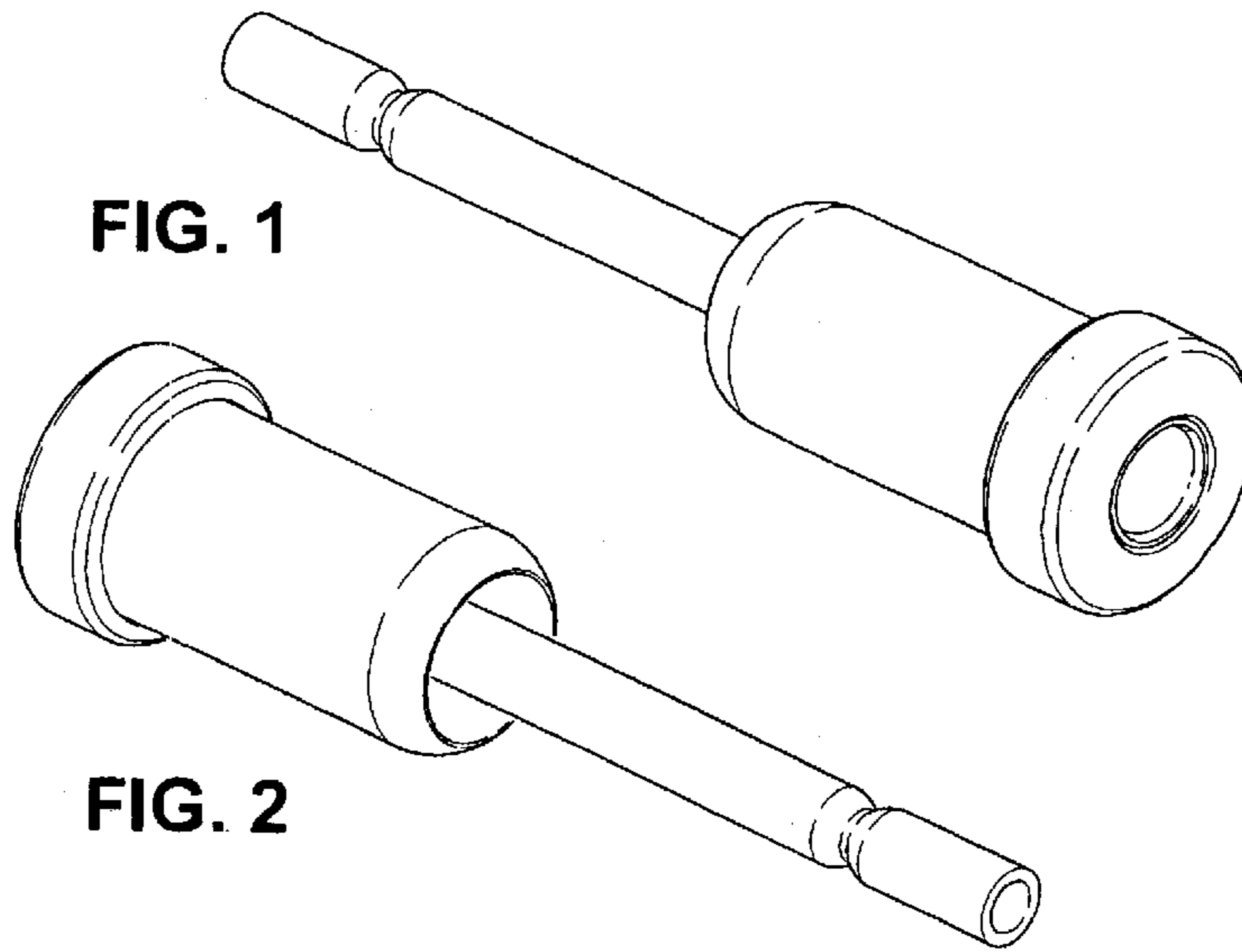


FIG. 3

FIG. 4

FIG. 5

FIG. 6

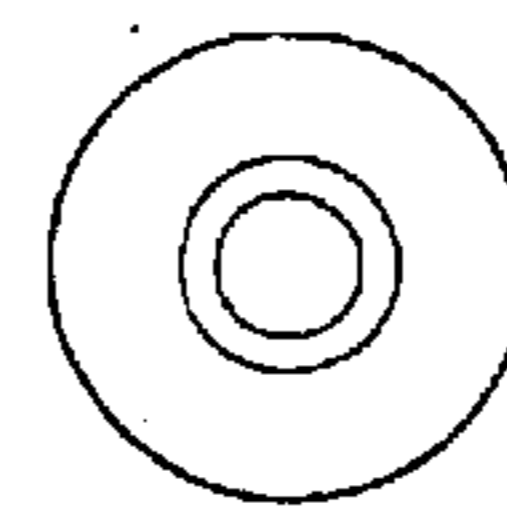
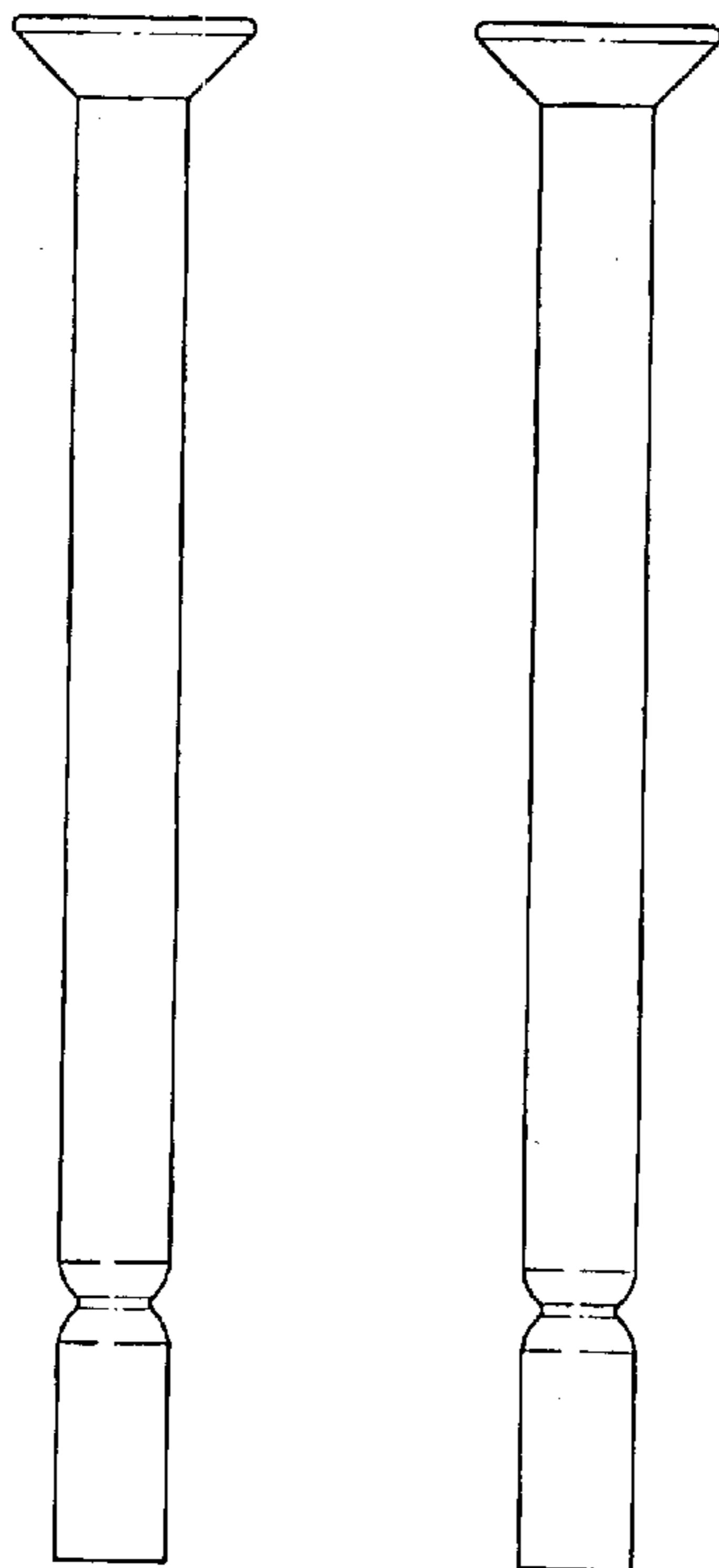
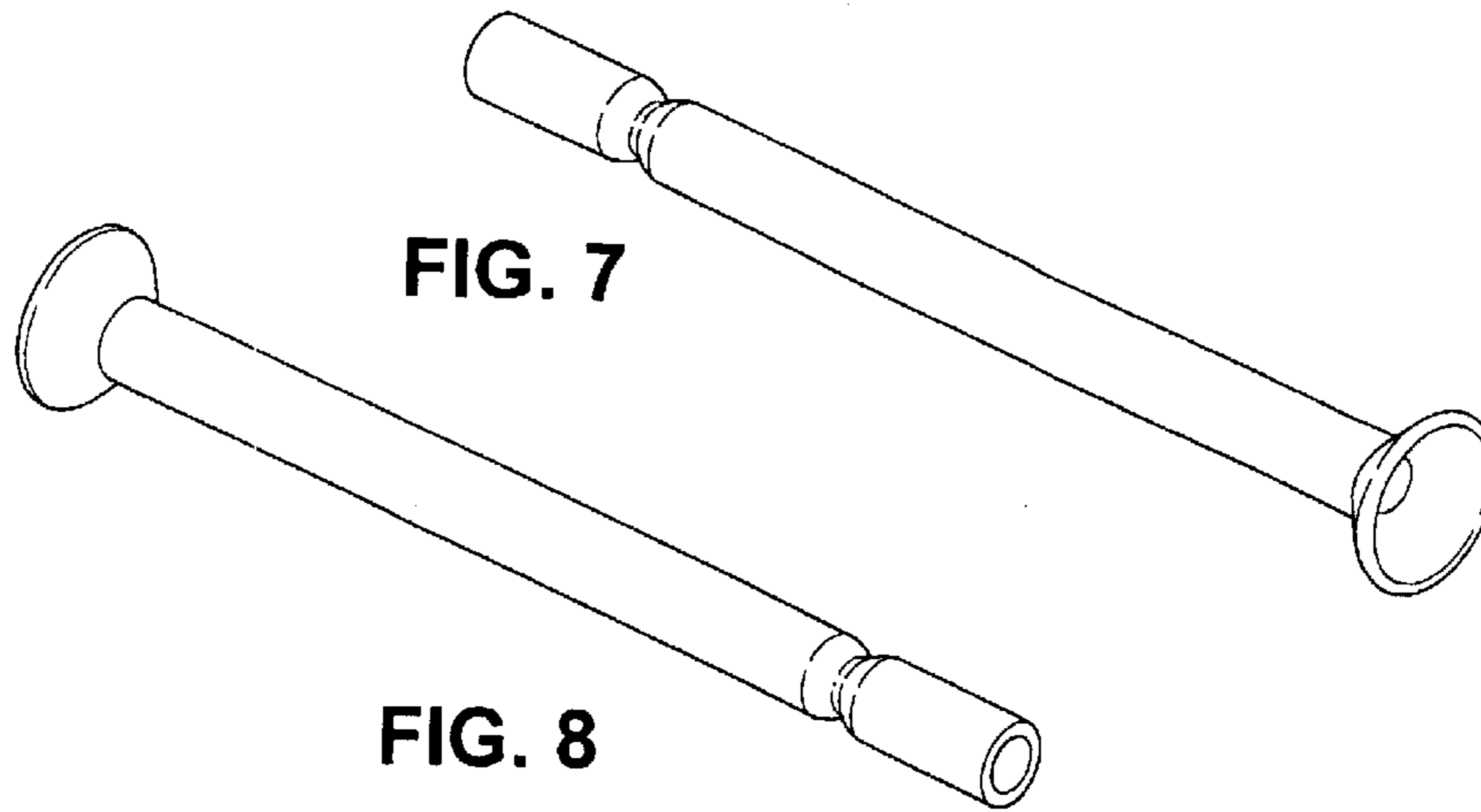


FIG. 11

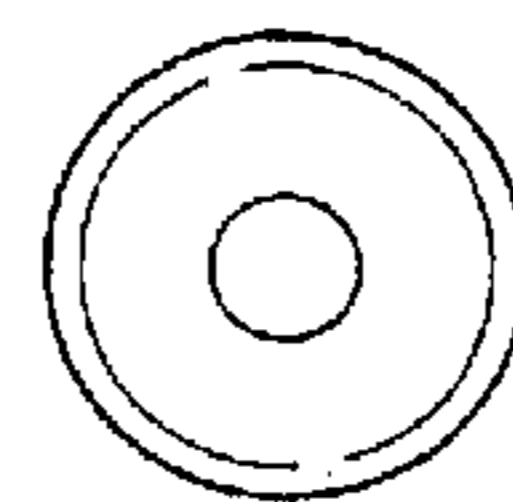


FIG. 12

FIG. 9

FIG. 10