



US00D545445S

(12) **United States Design Patent**
Klein

(10) **Patent No.:** **US D545,445 S**

(45) **Date of Patent:** **** Jun. 26, 2007**

(54) **THERAPEUTIC SPOON**

(76) **Inventor:** **Marsha Dunn Klein**, 6680 N. Calle
Lomita, Tucson, AZ (US) 85704

(**) **Term:** **14 Years**

(21) **Appl. No.:** **29/225,341**

(22) **Filed:** **Mar. 15, 2005**

(51) **LOC (8) Cl.** **23-04**

(52) **U.S. Cl.** **D24/214; D24/200**

(58) **Field of Classification Search** D24/116,
D24/112, 146, 147, 111, 152, 176, 214, 211,
D24/200, 215, 193, 194, 180, 133, 11; 606/161;
D4/108, 111; 433/80; 30/324
See application file for complete search history.

(56) **References Cited**

U.S. PATENT DOCUMENTS

2,218,072	A *	10/1940	Runnels	606/161
D161,873	S *	2/1951	Rosengard	D4/111
D375,353	S *	11/1996	Wolff	D24/116
D406,891	S *	3/1999	Smith	D24/147
5,984,935	A *	11/1999	Welt et al.	606/161
D422,360	S *	4/2000	Young	D24/147
6,083,235	A *	7/2000	Wagner	606/161

6,115,923	A *	9/2000	Gentry et al.	30/324
D465,847	S *	11/2002	Jacobs	D24/147
D472,642	S *	4/2003	Henckel	D24/211
D484,978	S *	1/2004	Syal	D24/147
2001/0004701	A1 *	6/2001	Rosenblood et al.	606/161
2006/0129171	A1 *	6/2006	Moskovich	606/161

* cited by examiner

Primary Examiner—Louis Zarfaz

Assistant Examiner—David Muller

(74) *Attorney, Agent, or Firm*—Chandler & Udall, LLP;
Dale F. Regelman

(57) **CLAIM**

The ornamental design for a therapeutic spoon, as shown and described.

DESCRIPTION

FIG. 1 is a perspective view of a therapeutic spoon showing my new design;

FIG. 2 is a top plan view thereof;

FIG. 3 is a bottom plan view thereof; and,

FIG. 4 is a side elevation thereof.

1 Claim, 4 Drawing Sheets

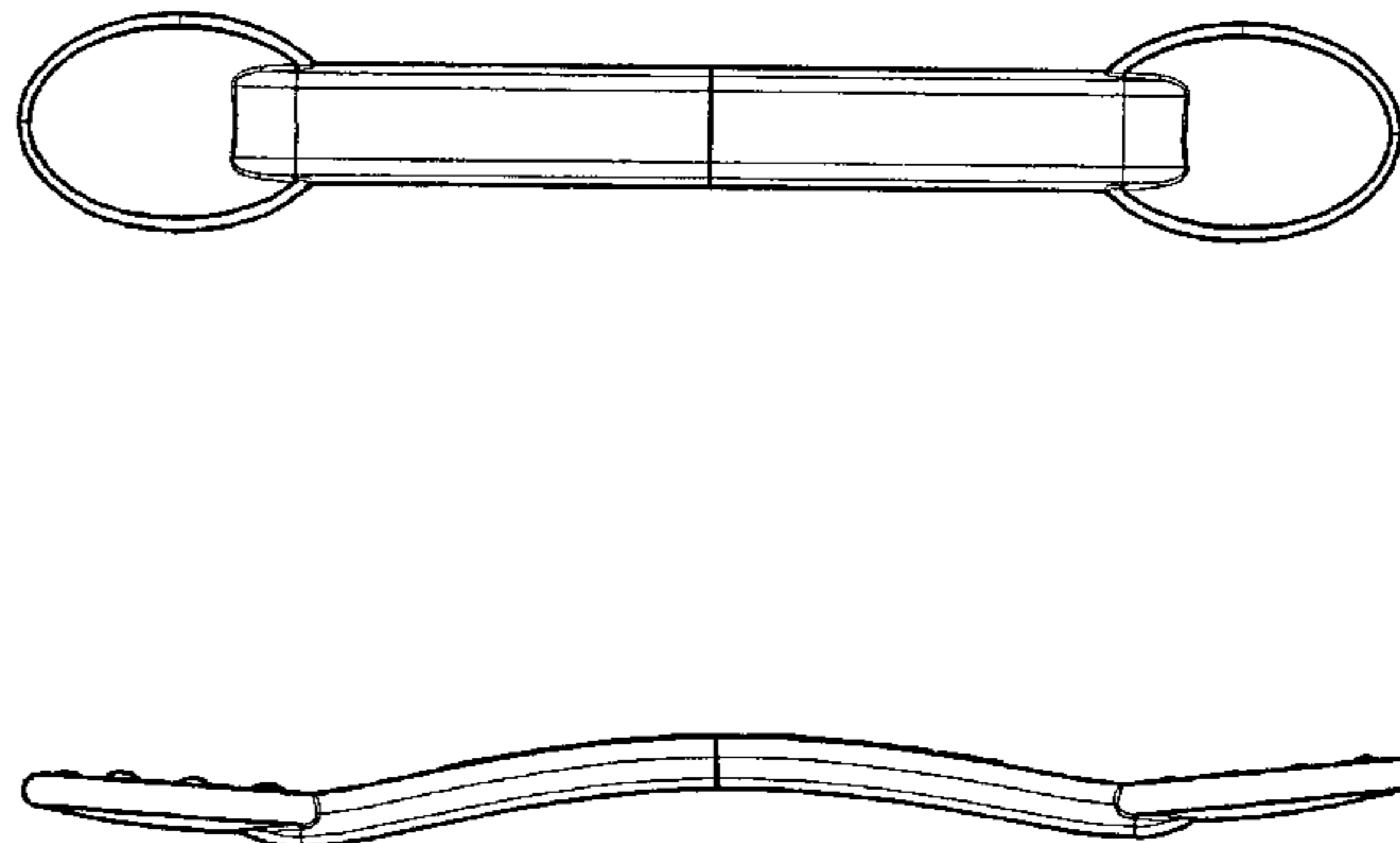
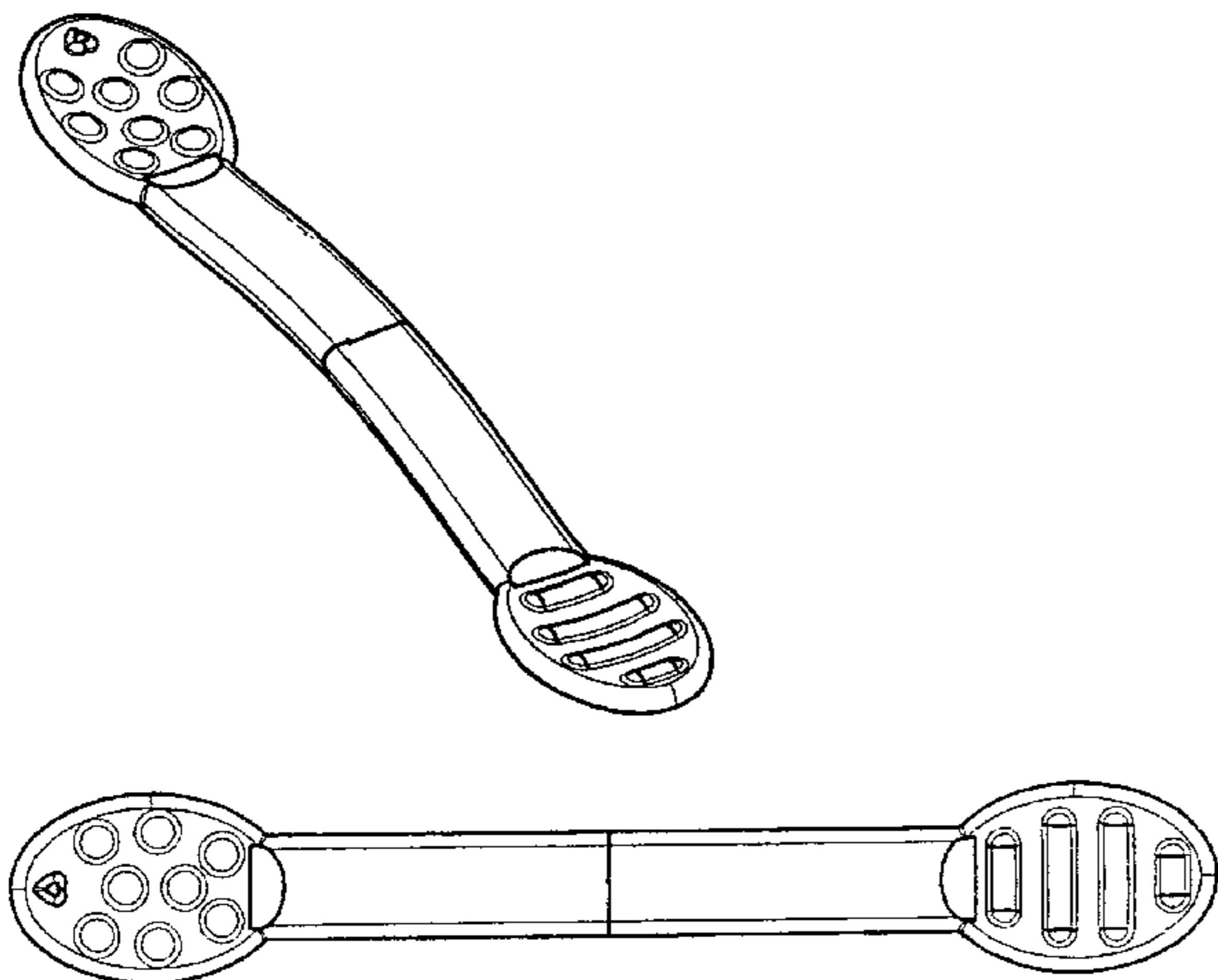


FIG. 1

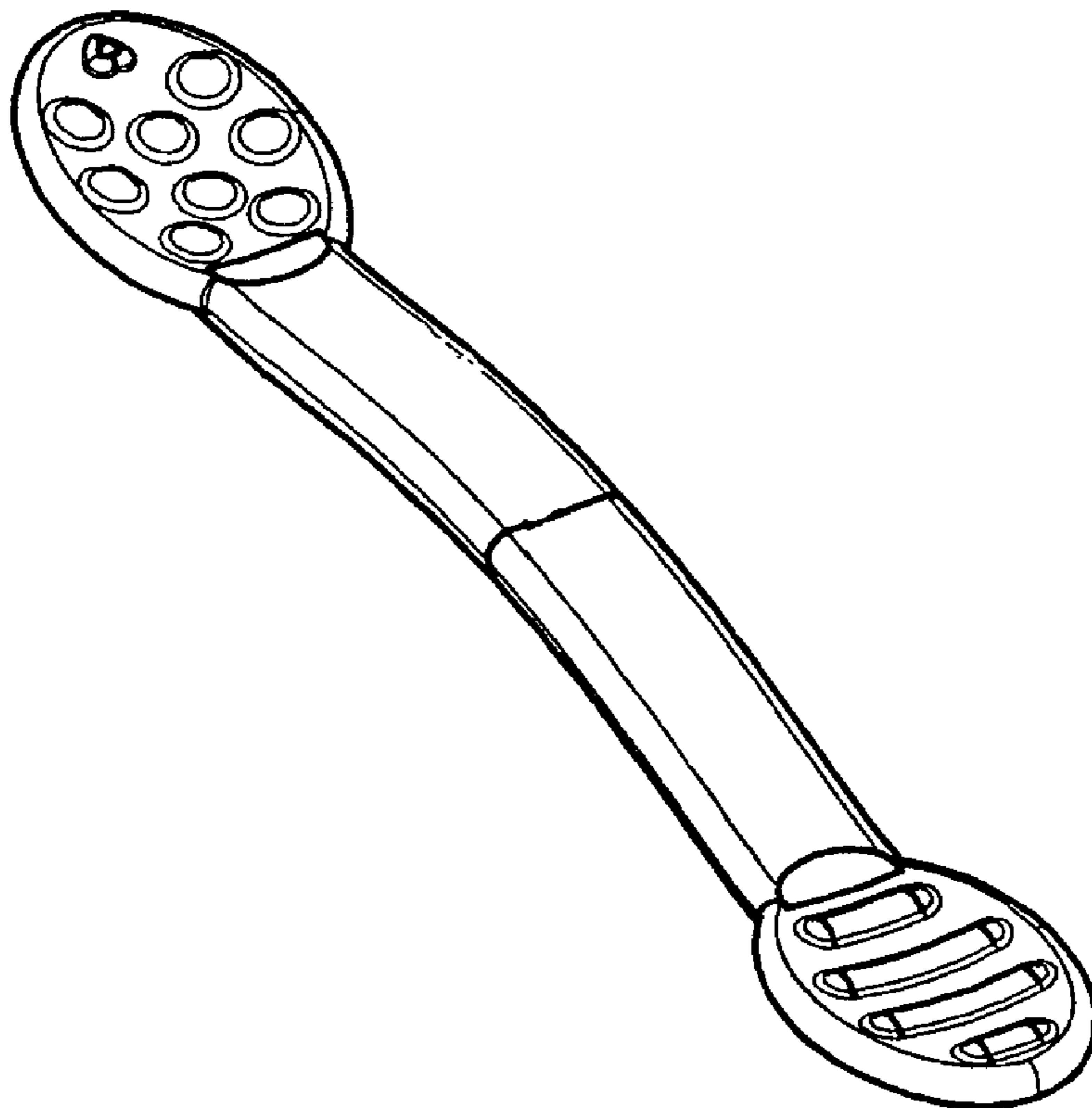


FIG. 2

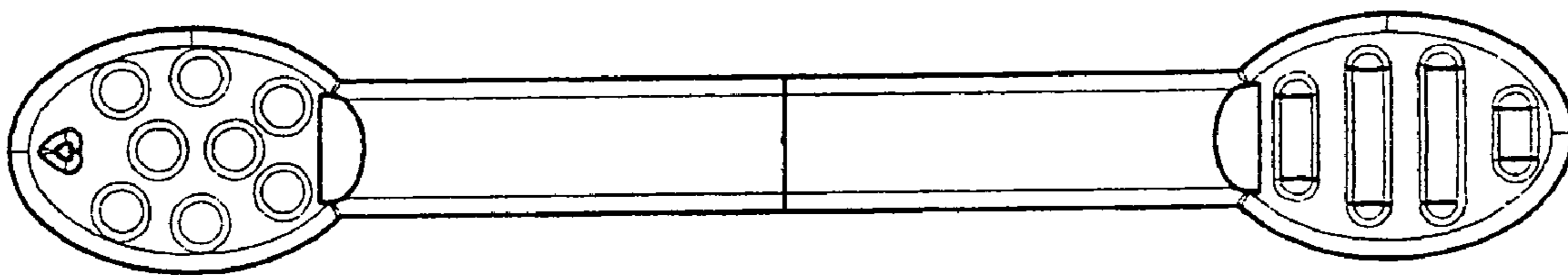


FIG. 3

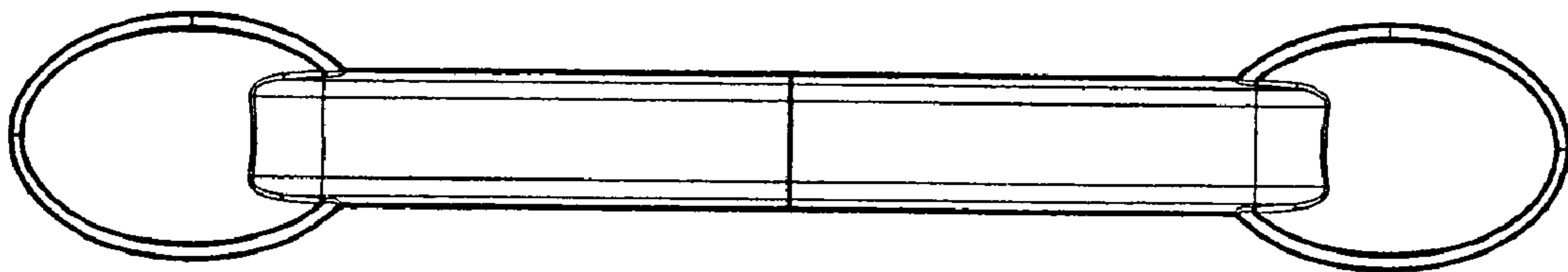


FIG. 4

