



US00D545443S

(12) **United States Design Patent**
Ng

(10) **Patent No.:** **US D545,443 S**

(45) **Date of Patent:** **** Jun. 26, 2007**

(54) **MASSAGING BELT**

(75) **Inventor:** **Albert Shiu Man Ng**, Tai Po (HK)

(73) **Assignee:** **Oto Bodycare (H.K.) Ltd.**, West Hong Kong (HK)

(**) **Term:** **14 Years**

(21) **Appl. No.:** **29/260,233**

(22) **Filed:** **May 23, 2006**

(30) **Foreign Application Priority Data**

Nov. 24, 2005 (HK) 0502835

(51) **LOC (8) Cl.** **28-03**

(52) **U.S. Cl.** **D24/200; D24/215**

(58) **Field of Classification Search** D24/200,
D24/214, 215; 601/56, 57, 58, 67, 79, 81,
601/97, 101, 69, 70

See application file for complete search history.

(56) **References Cited**

U.S. PATENT DOCUMENTS

2,742,036 A * 4/1956 Montesano 601/71
4,991,568 A * 2/1991 Lin 601/101
D378,418 S * 3/1997 Bowker et al. D24/215

D389,585 S * 1/1998 Leventhal et al. D24/215
D393,317 S * 4/1998 Lange et al. D24/215
D394,906 S * 6/1998 Lange et al. D24/215
D504,954 S * 5/2005 Park D24/215

* cited by examiner

Primary Examiner—Ian Simmons

Assistant Examiner—Melanie Levy

(74) *Attorney, Agent, or Firm*—Buchanan Ingersoll & Rooney PC

(57) **CLAIM**

The ornamental design for a “massaging belt”, as shown and described.

DESCRIPTION

FIG. 1 is a front view of a “massaging belt” incorporating my design;

FIG. 2 is a rear view thereof;

FIG. 3 is a top view thereof;

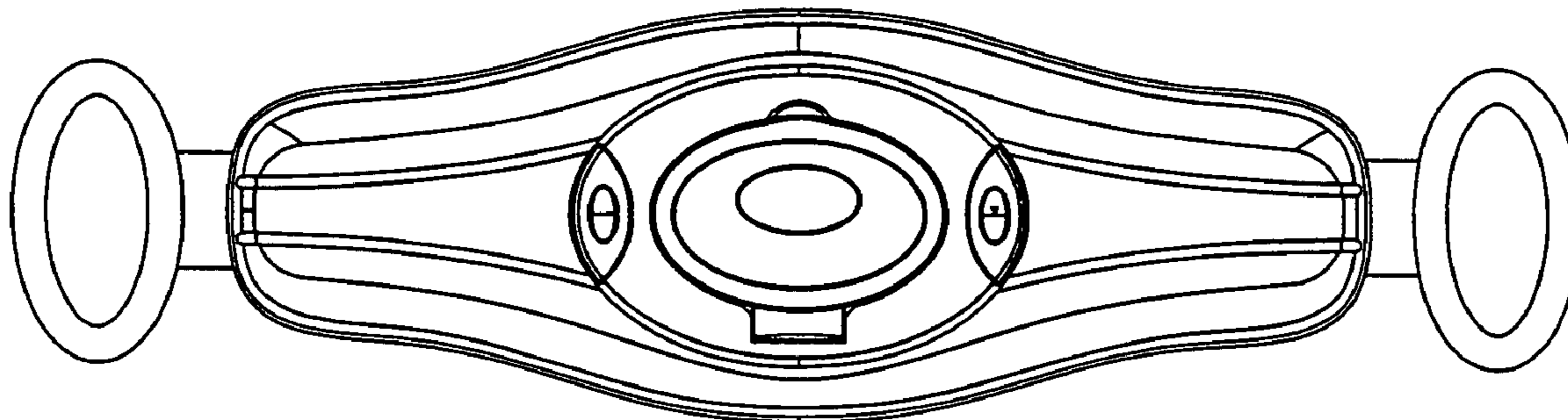
FIG. 4 is a bottom view thereof;

FIG. 5 is a left side view thereof;

FIG. 6 is a right side view thereof; and,

FIG. 7 is a perspective view thereof.

1 Claim, 3 Drawing Sheets



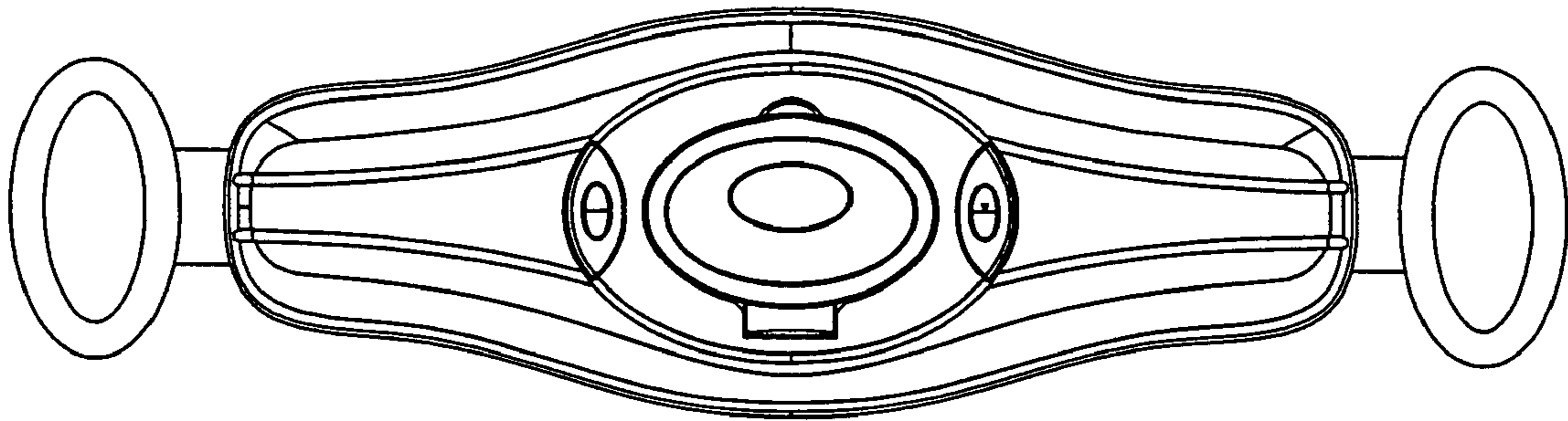


FIG. 1

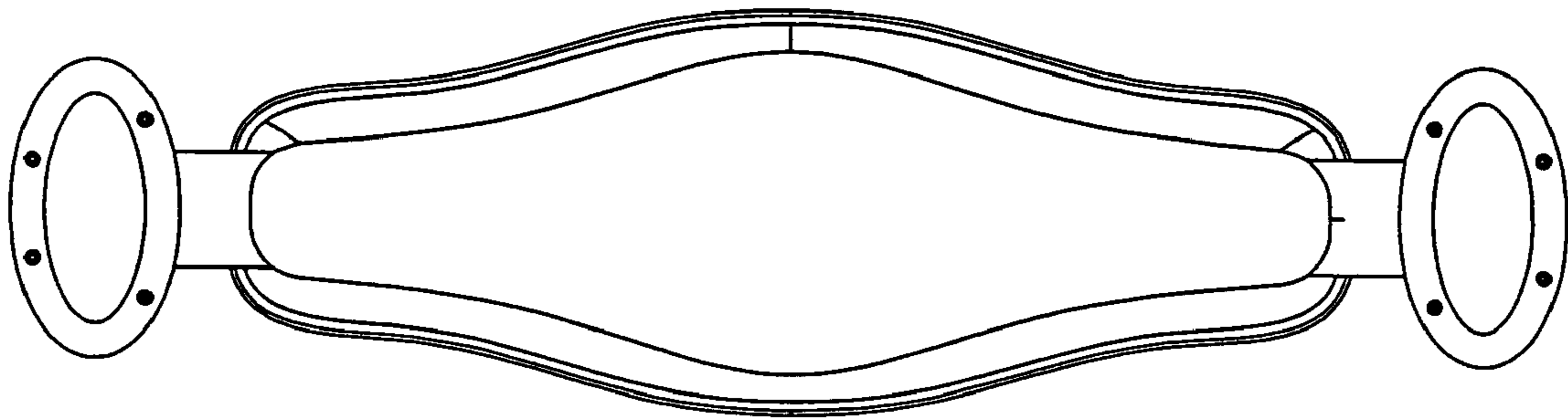


FIG. 2

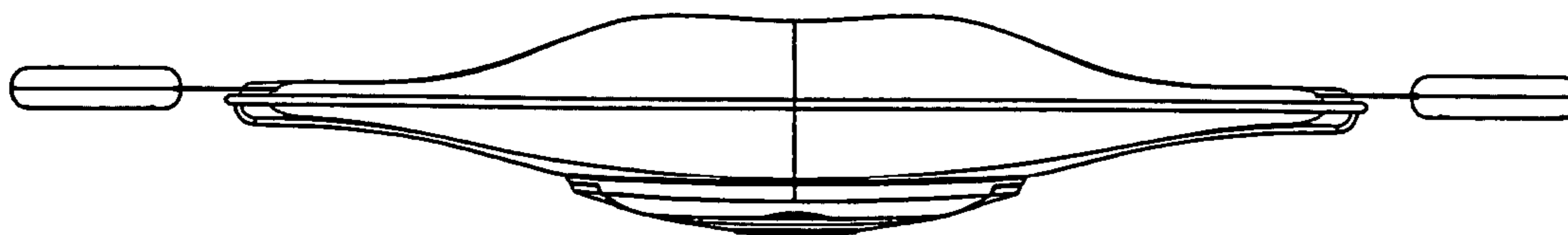


FIG. 3

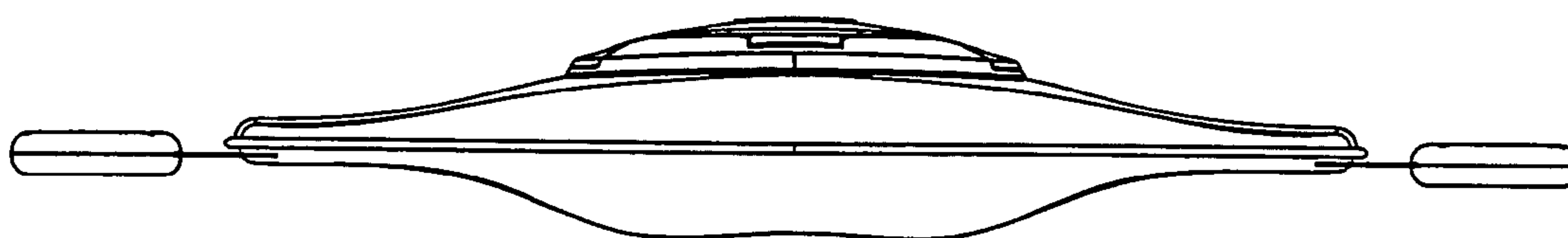


FIG. 4

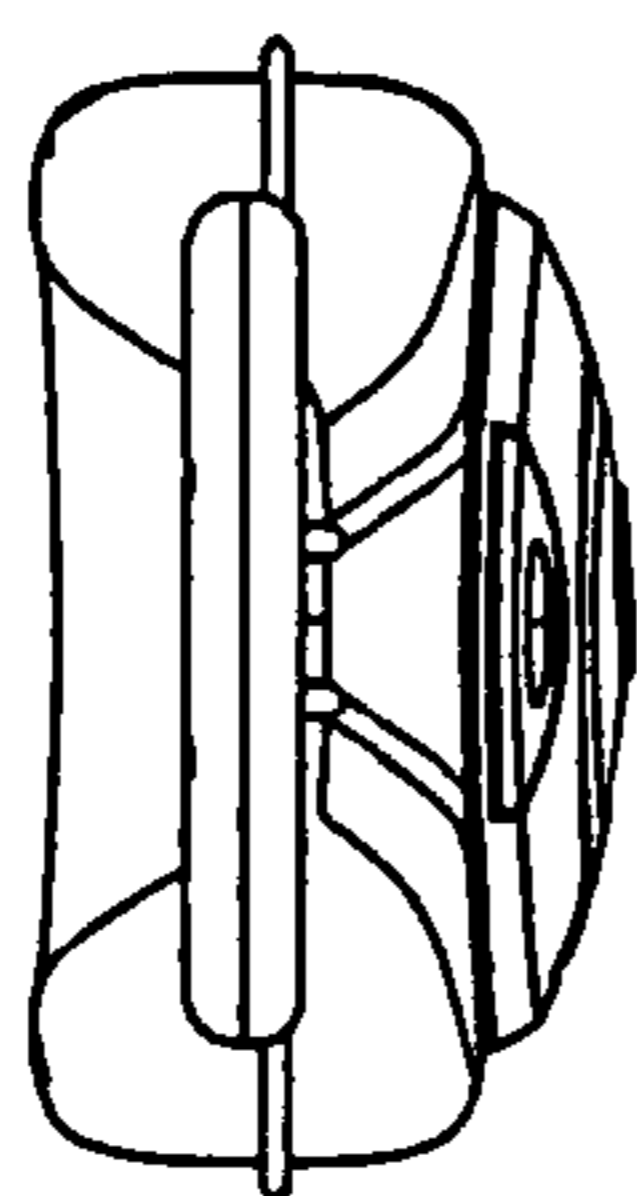


FIG. 5

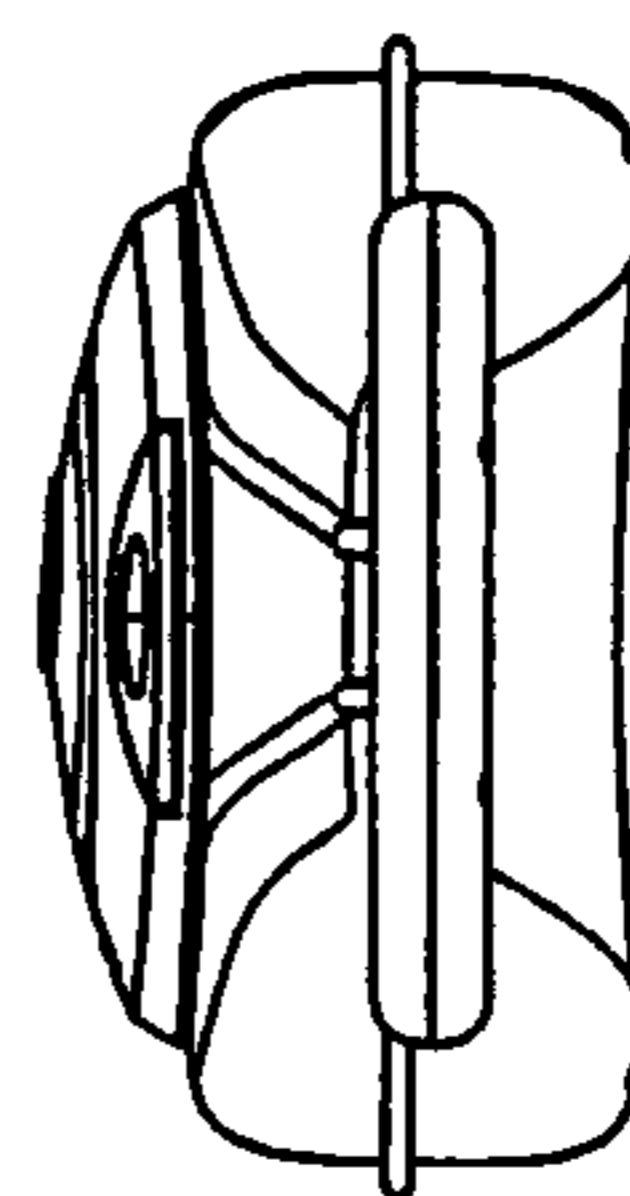


FIG. 6

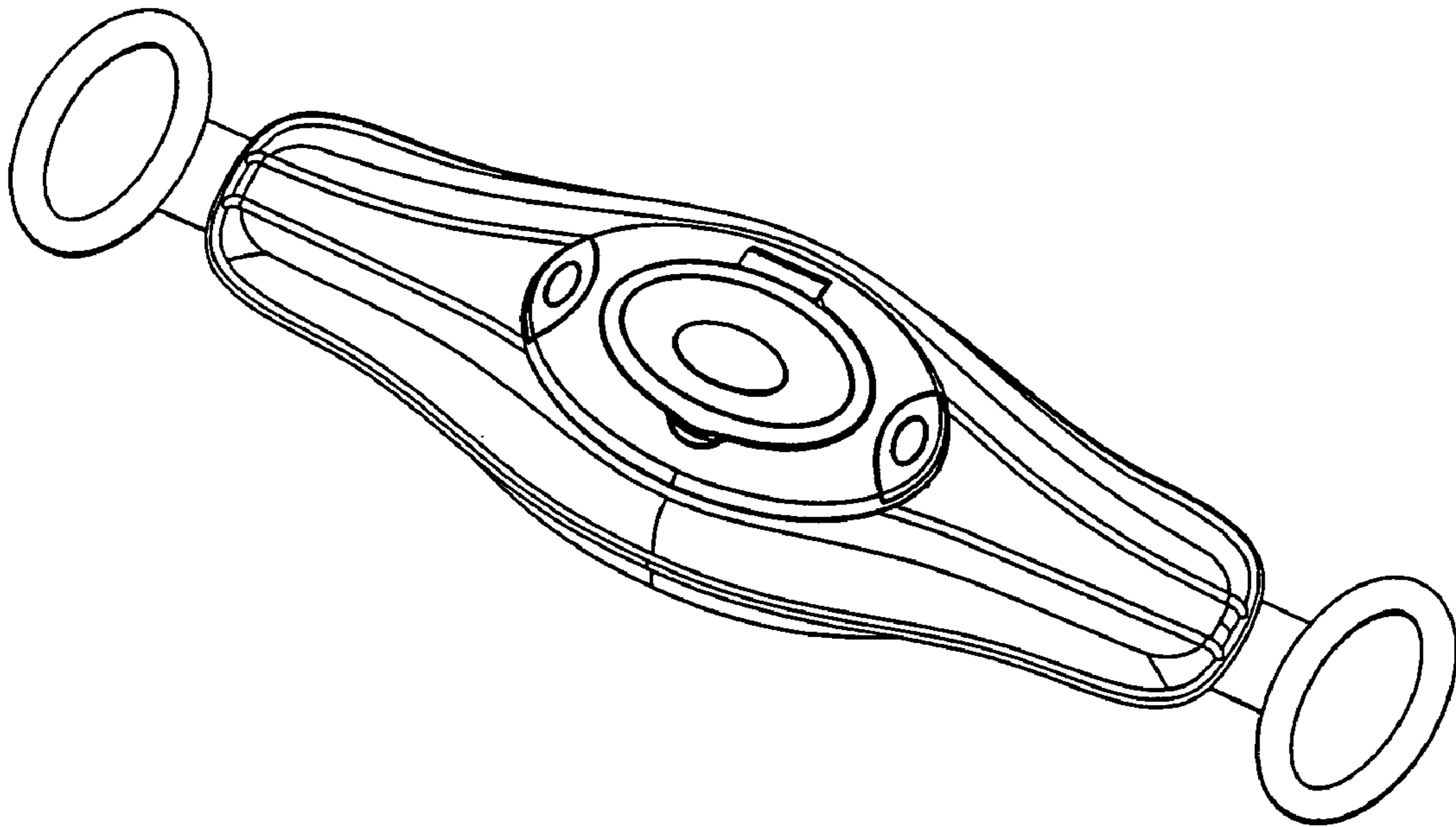


FIG. 7