

US00D545442S

(12) **United States Design Patent**
Weeks

(10) **Patent No.:** **US D545,442 S**

(45) **Date of Patent:** **** Jun. 26, 2007**

(54) **WATERPROOF CAST PROTECTOR**

(76) Inventor: **Michael R. Weeks**, 9079 Danesbury Ct., Las Vegas, NV (US) 89123

(**) Term: **14 Years**

(21) Appl. No.: **29/230,697**

(22) Filed: **May 26, 2005**

(51) **LOC (8) Cl.** **24-01**

(52) **U.S. Cl.** **D24/190**

(58) **Field of Classification Search** D24/190-3;
602/4-6, 20, 27, 61-2, 79; 128/865-6, 878,
128/876; 604/20-21; 24/442; D29/113;
473/62; D6/601

See application file for complete search history.

(56) **References Cited**

U.S. PATENT DOCUMENTS

| | | | | | |
|-----------|-----|---------|---------------|-------|-------|
| 2,244,871 | A * | 6/1941 | Guinzburg | | 2/59 |
| 2,326,422 | A * | 8/1943 | Weisberger | | 2/59 |
| 3,329,143 | A * | 7/1967 | Gordon | | 602/3 |
| 3,721,997 | A * | 3/1973 | Mundt | | 2/46 |
| 4,346,699 | A * | 8/1982 | Little et al. | | 602/3 |
| 4,911,151 | A | 3/1990 | Rankin et al. | | |
| 5,016,622 | A | 5/1991 | Norvell | | |
| 5,070,630 | A | 12/1991 | Edmundson | | |
| 5,083,557 | A | 1/1992 | Lennon et al. | | |
| D339,671 | S | 9/1993 | Manning | | |

| | | | | | |
|-----------|------|---------|--------------|-------|-----------|
| 5,342,286 | A | 8/1994 | Kelly et al. | | |
| 5,395,302 | A | 3/1995 | Botha et al. | | |
| 5,865,772 | A | 2/1999 | George | | |
| D406,897 | S * | 3/1999 | Agati et al. | | D24/192 |
| D434,193 | S * | 11/2000 | Moss | | D29/121.2 |
| 6,353,939 | B1 * | 3/2002 | Arber | | 2/242 |

* cited by examiner

Primary Examiner—Louis S. Zarfaz

Assistant Examiner—Susan E Krakower

(74) *Attorney, Agent, or Firm*—Donald R. Schoonover

(57) **CLAIM**

I claim the ornamental design for a waterproof cast protector, as shown and described.

DESCRIPTION

FIG. 1 is a perspective view of a waterproof cast protector showing my new design;

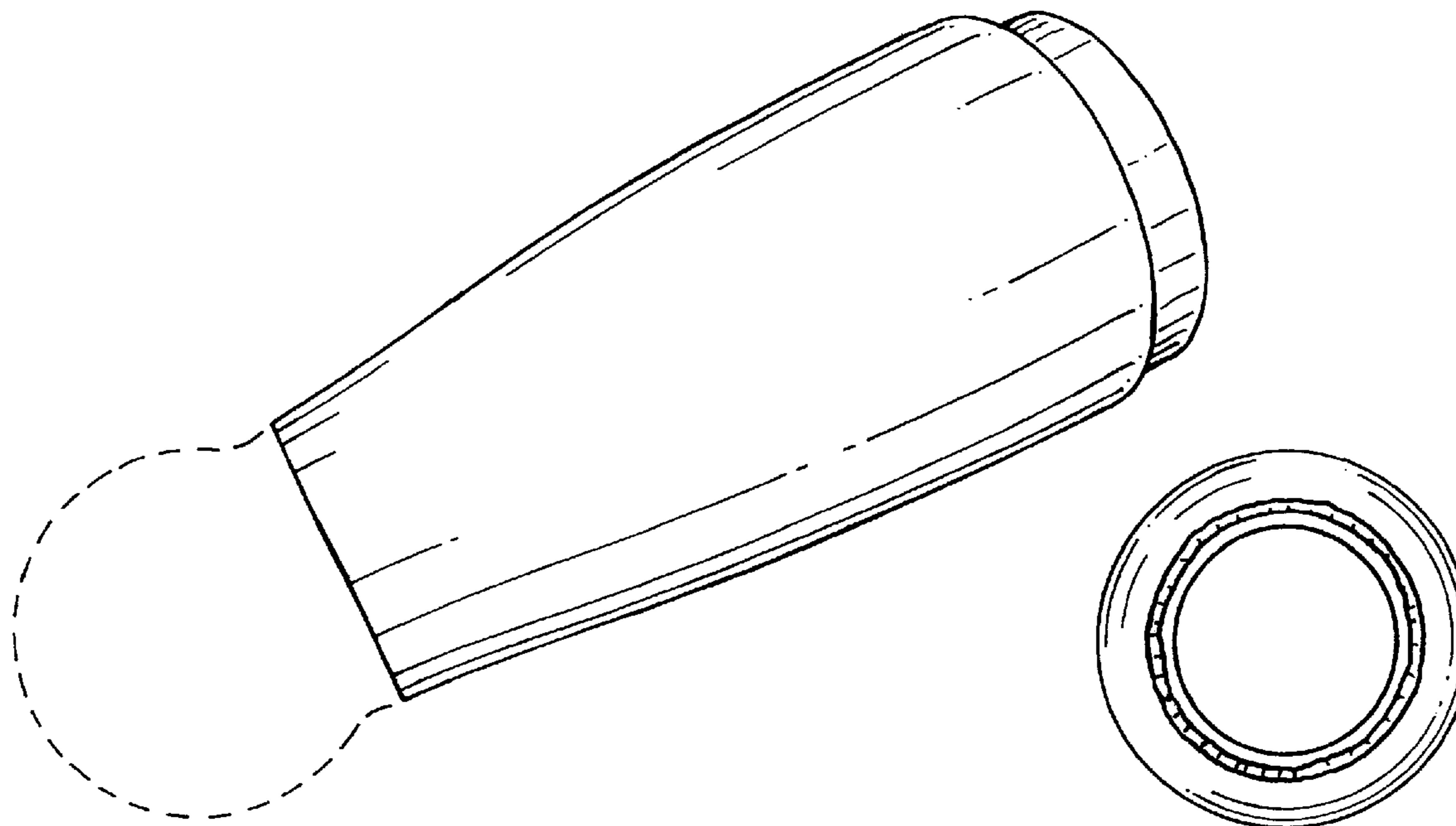
FIG. 2 is an end elevational view thereof;

FIG. 3 is an elevational view of the opposing end thereof; and,

FIG. 4 is a top plan view, bottom plan view, and all side elevational views thereof being identical thereto.

The broken line showing of a limb is included for the purpose of illustrating environmental structure and forms no part of the claimed design.

1 Claim, 2 Drawing Sheets



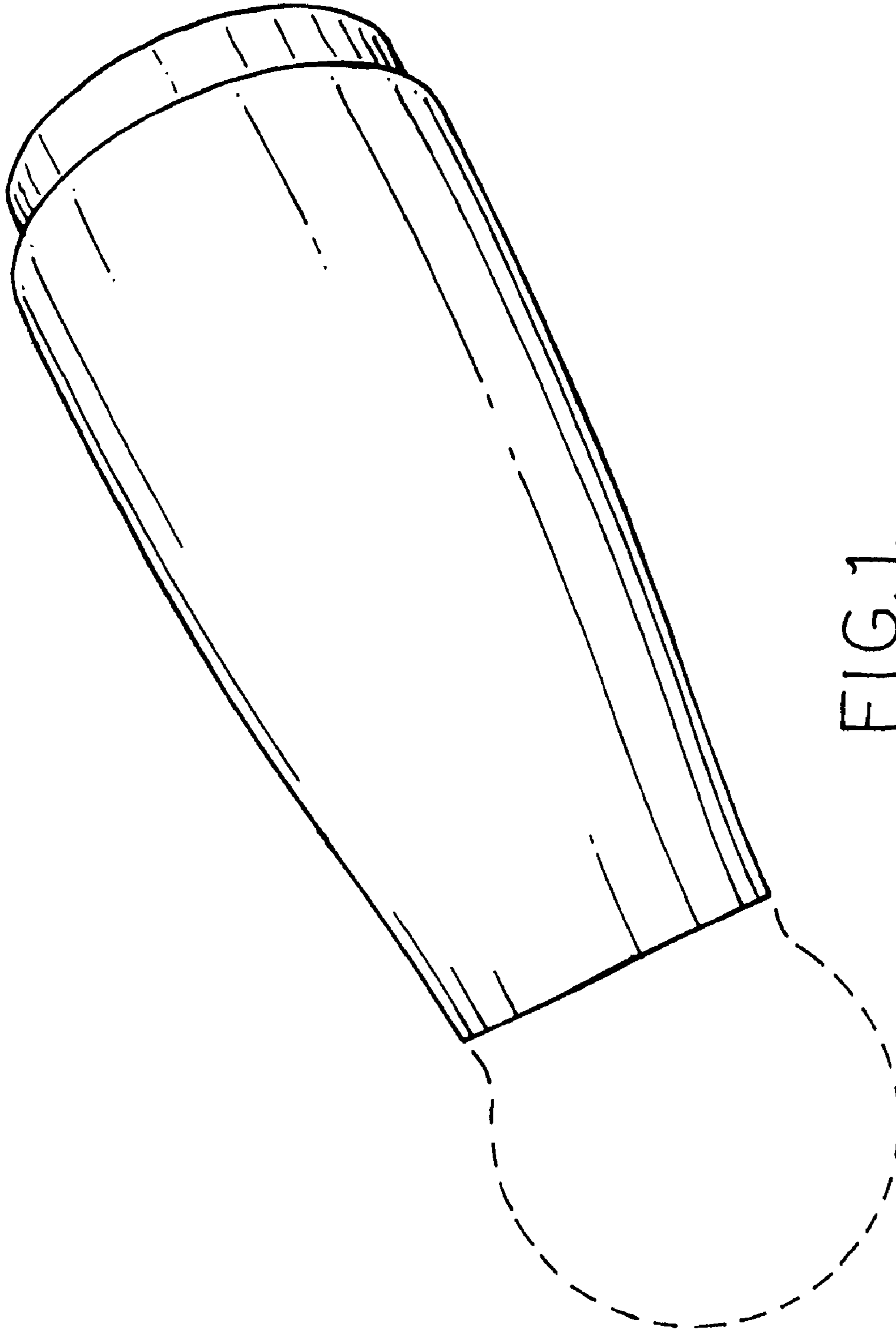


FIG. 1.

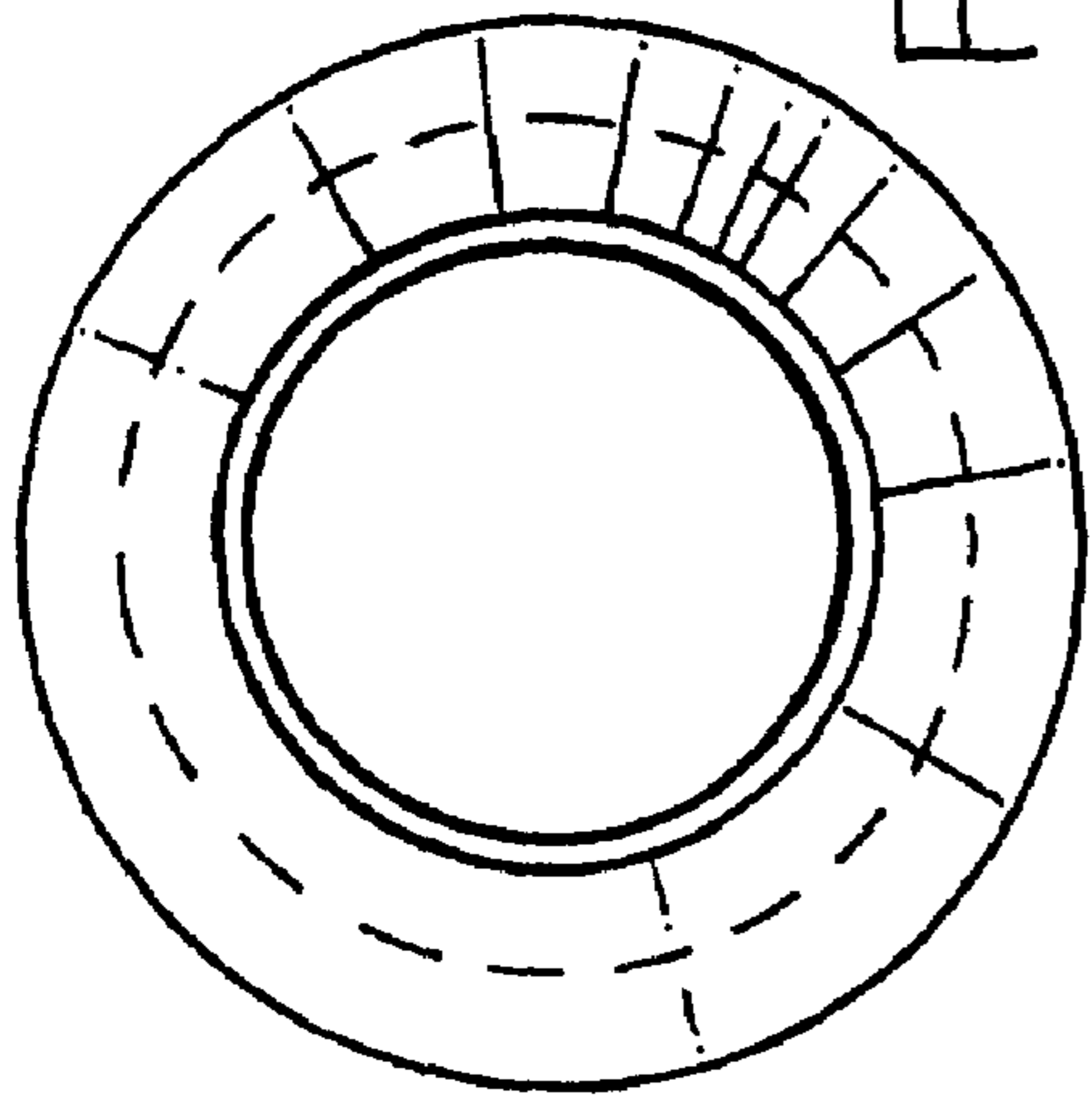


FIG. 2.

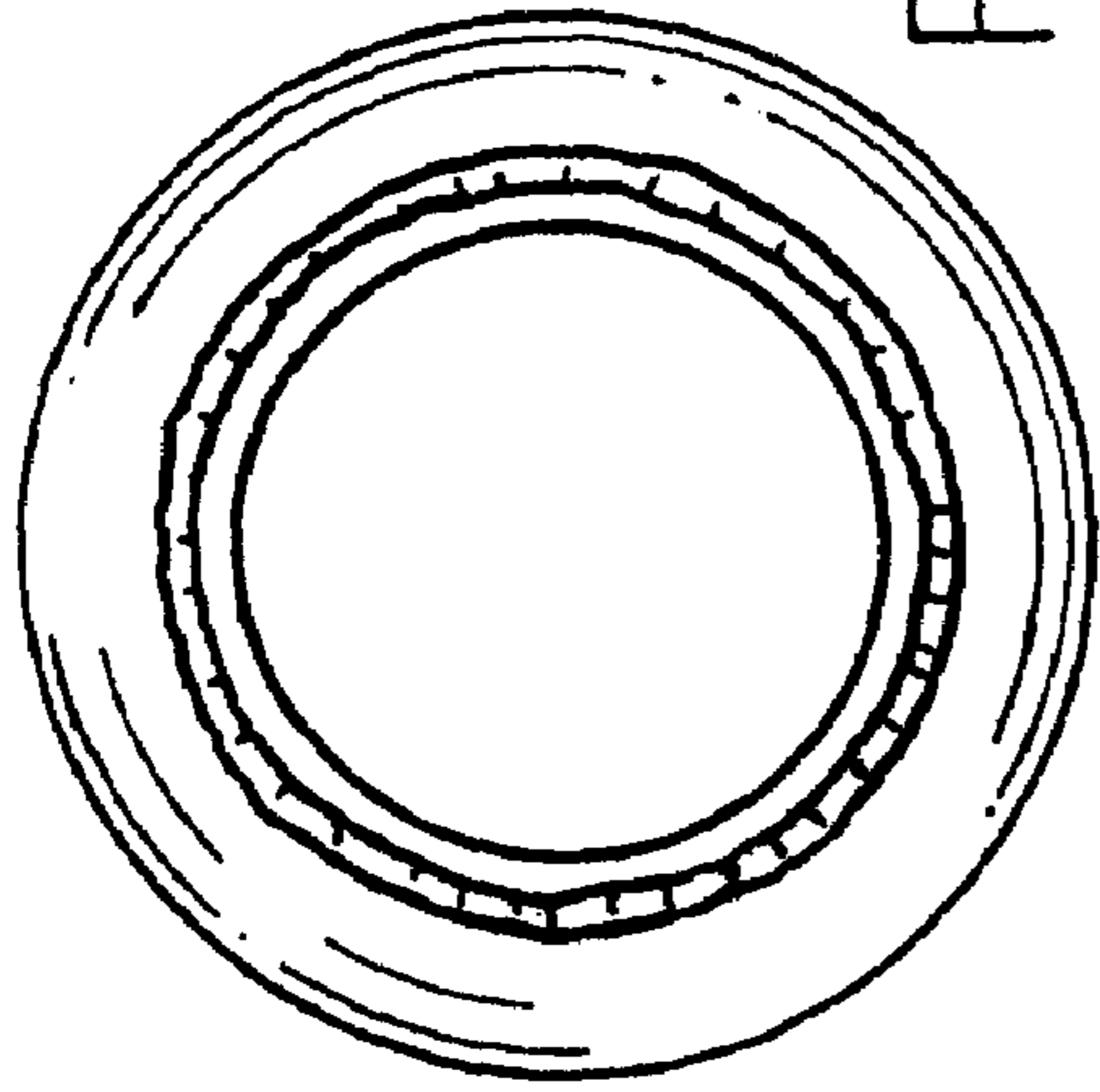


FIG. 3.

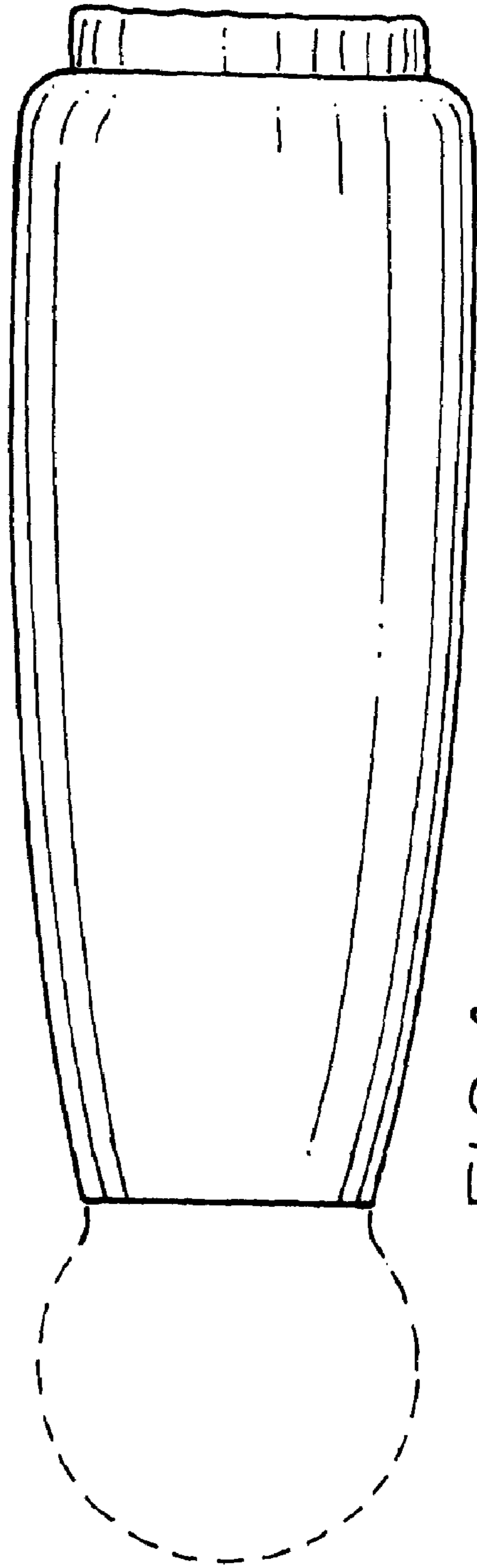


FIG. 4.