

US00D545439S

(12) **United States Design Patent**
Draudt et al.

(10) **Patent No.:** **US D545,439 S**
(45) **Date of Patent:** **** Jun. 26, 2007**

(54) **BLOOD GLUCOSE METER**

(75) Inventors: **Gregg R. Draudt**, Stow, MA (US);
Dirk Ahlgrim, Boston, MA (US); **Jan Schminke**, Munich (DE); **Mark Follman**, Glen Rock, NJ (US); **José Colucci, Jr.**, Lexington, MA (US);
Raymond Yao, Saint Joseph, MI (US)

(73) Assignee: **Becton, Dickinson and Company**,
Franklin Lakes, NJ (US)

(**) Term: **14 Years**

(21) Appl. No.: **29/230,988**

(22) Filed: **May 31, 2005**

Related U.S. Application Data

(63) Continuation-in-part of application No. 11/106,728,
filed on Apr. 15, 2005.

(51) **LOC (8) Cl.** **24-01**

(52) **U.S. Cl.** **D24/186**

(58) **Field of Classification Search** D24/169,
D24/183–187, 216–234; 422/56, 58, 61,
422/67, 68.1, 102, 104; 436/46, 50, 55; 600/309,
600/318, 322, 368, 583

See application file for complete search history.

(56) **References Cited**

U.S. PATENT DOCUMENTS

- D392,740 S * 3/1998 Yung et al. D24/169
- D399,566 S * 10/1998 Sohrab et al. D24/169
- D418,602 S 1/2000 Prokop et al.
- D425,990 S 5/2000 Gravel et al.
- D427,312 S 6/2000 Douglas
- D429,527 S 8/2000 Bolam et al.
- D429,814 S 8/2000 Lorwald et al.
- 6,099,484 A 8/2000 Douglas et al.

- D435,657 S 12/2000 Bhullar et al.
- D448,294 S 9/2001 Alscher et al.
- 6,302,855 B1 10/2001 Lav et al.
- 6,352,514 B1 3/2002 Douglas et al.
- D465,849 S * 11/2002 May et al. D24/169

(Continued)

Primary Examiner—Robert A. Delehanty

Assistant Examiner—Mark Cavanna

(74) *Attorney, Agent, or Firm*—Alan W. Fiedler

(57) **CLAIM**

The ornamental design for a blood glucose meter, as shown and described.

DESCRIPTION

FIG. 1 is a top perspective view of a blood glucose meter showing our new design;

FIG. 2 is a bottom perspective view of the blood glucose meter shown in FIG. 1;

FIG. 3 is a top plan view of the blood glucose meter shown in FIG. 1;

FIG. 4 is a front elevational view of the blood glucose meter shown in FIG. 1;

FIG. 5 is a rear elevational view of the blood glucose meter shown in FIG. 1;

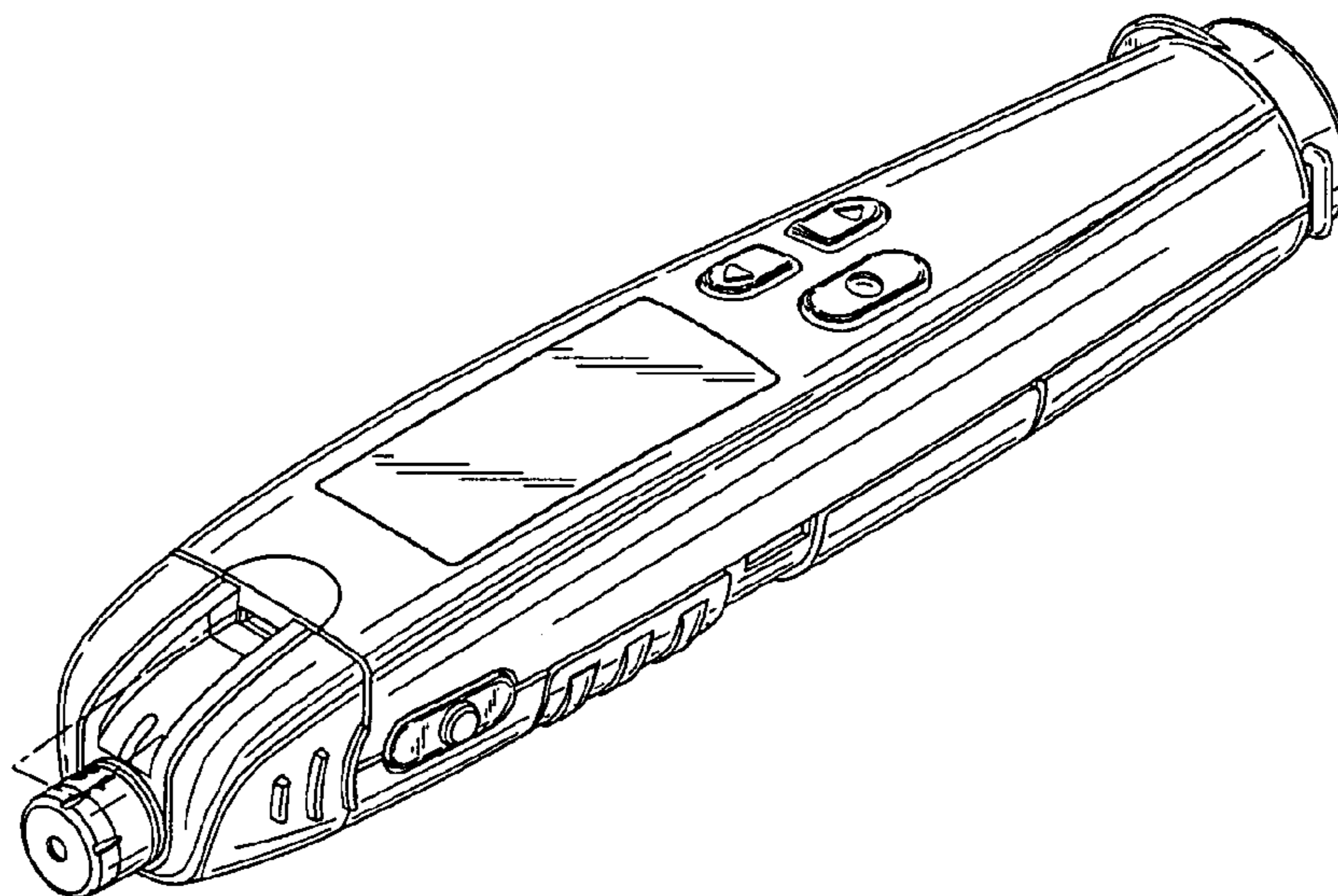
FIG. 6 is a left side elevational view of the blood glucose meter shown in FIG. 1;

FIG. 7 is a right side elevational view of the blood glucose meter shown in FIG. 1; and,

FIG. 8 is a bottom view of the blood glucose meter shown in FIG. 1.

The broken line showing of a test strip used with the blood glucose meter is for illustrative purposes only, and forms no part of the claimed design.

1 Claim, 7 Drawing Sheets



US D545,439 S

Page 2

U.S. PATENT DOCUMENTS

D471,280 S *	3/2003	Jaeck	D24/169	2001/0027277 A1	10/2001	Klitmose
D471,983 S *	3/2003	Hippolyte et al.	D24/169	2002/0130042 A1	9/2002	Moerman et al.
6,645,219 B2	11/2003	Roe		2002/0177763 A1	11/2002	Burns et al.
D487,594 S	3/2004	Alscher et al.		2003/0191415 A1	10/2003	Moerman et al.
D491,275 S	6/2004	Walters et al.		2003/0212345 A1	11/2003	McAllister et al.
D493,536 S *	7/2004	Jaeck et al.	D24/169	2004/0138588 A1	7/2004	Saikley et al.
D506,007 S	6/2005	Best et al.		2004/0267229 A1	12/2004	Moerman et al.
D510,711 S *	10/2005	Syme et al.	D10/81	2005/0011759 A1	1/2005	Moerman et al.
7,001,344 B2	2/2006	Freeman et al.		2005/0143675 A1	6/2005	Neel et al.
D518,397 S *	4/2006	Sydrowski et al.	D10/81	2005/0240119 A1	10/2005	Draudt et al.

* cited by examiner

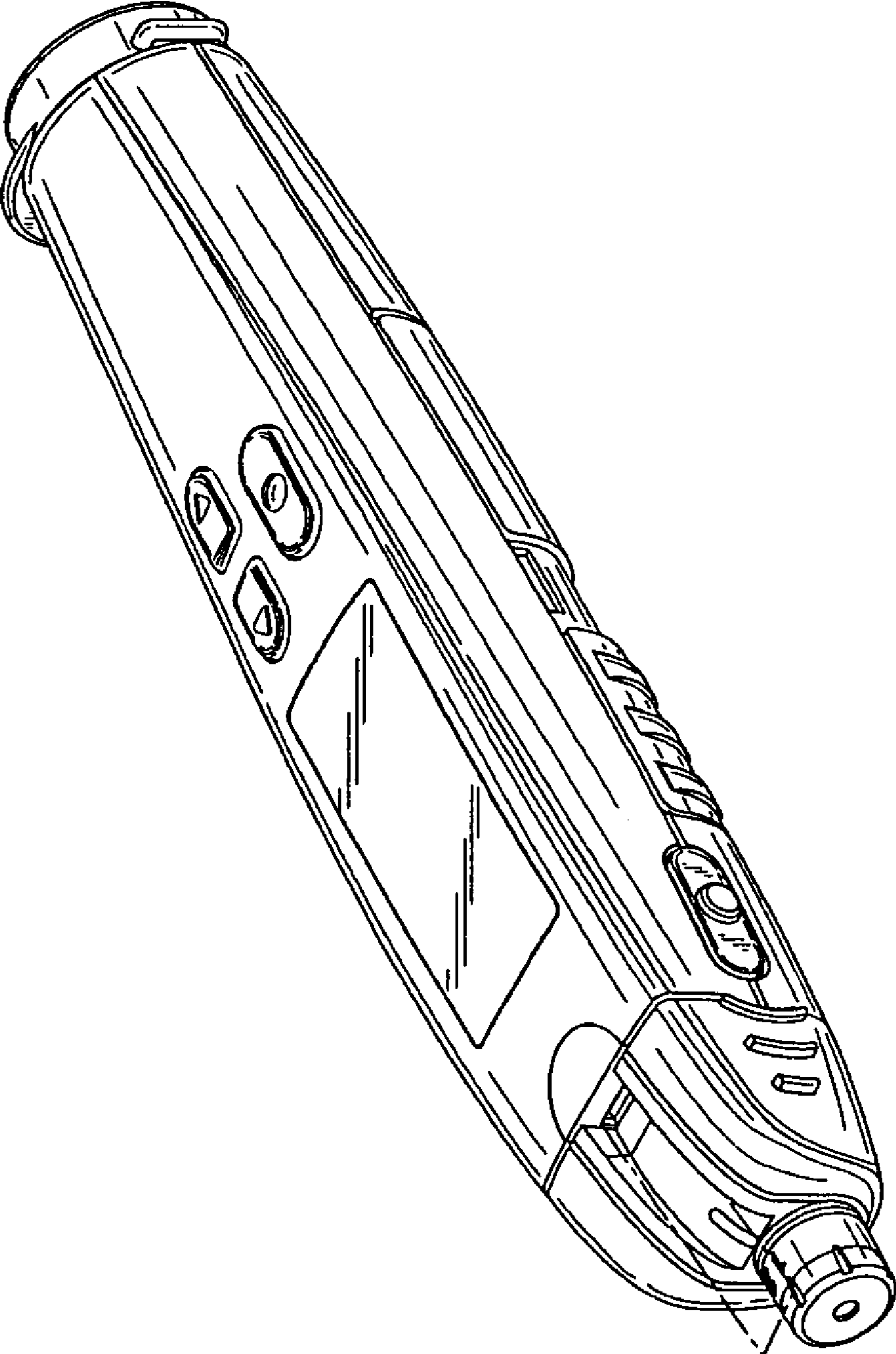


FIG. 1

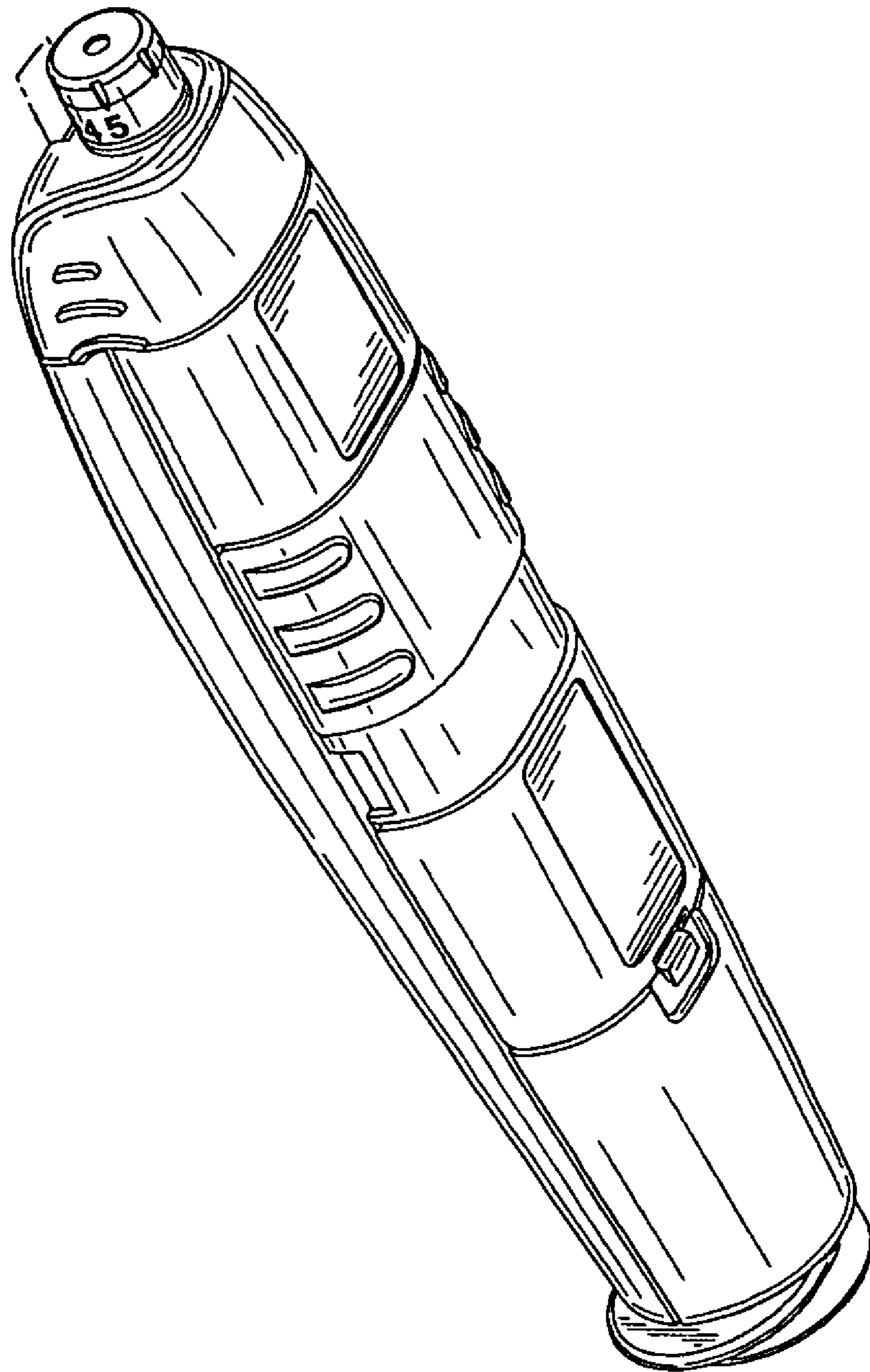


FIG. 2

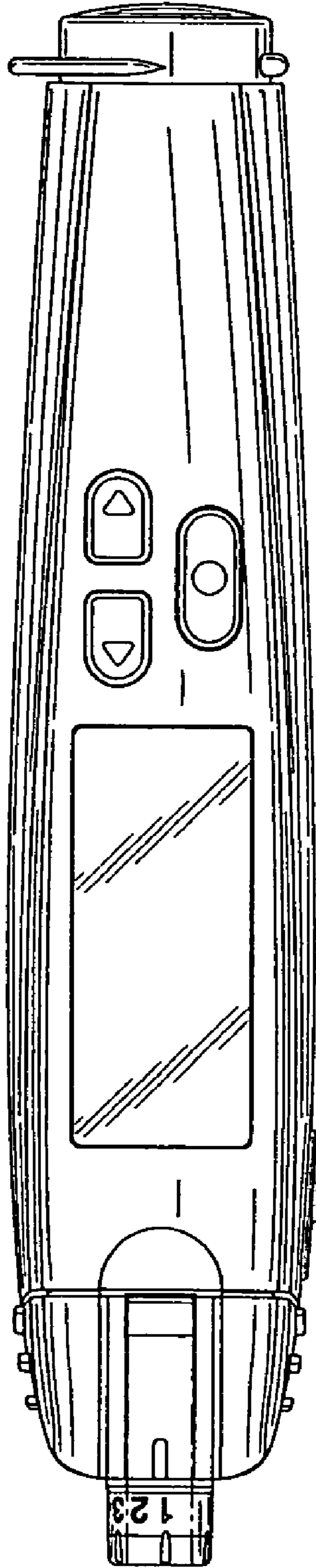


FIG. 3

FIG. 5

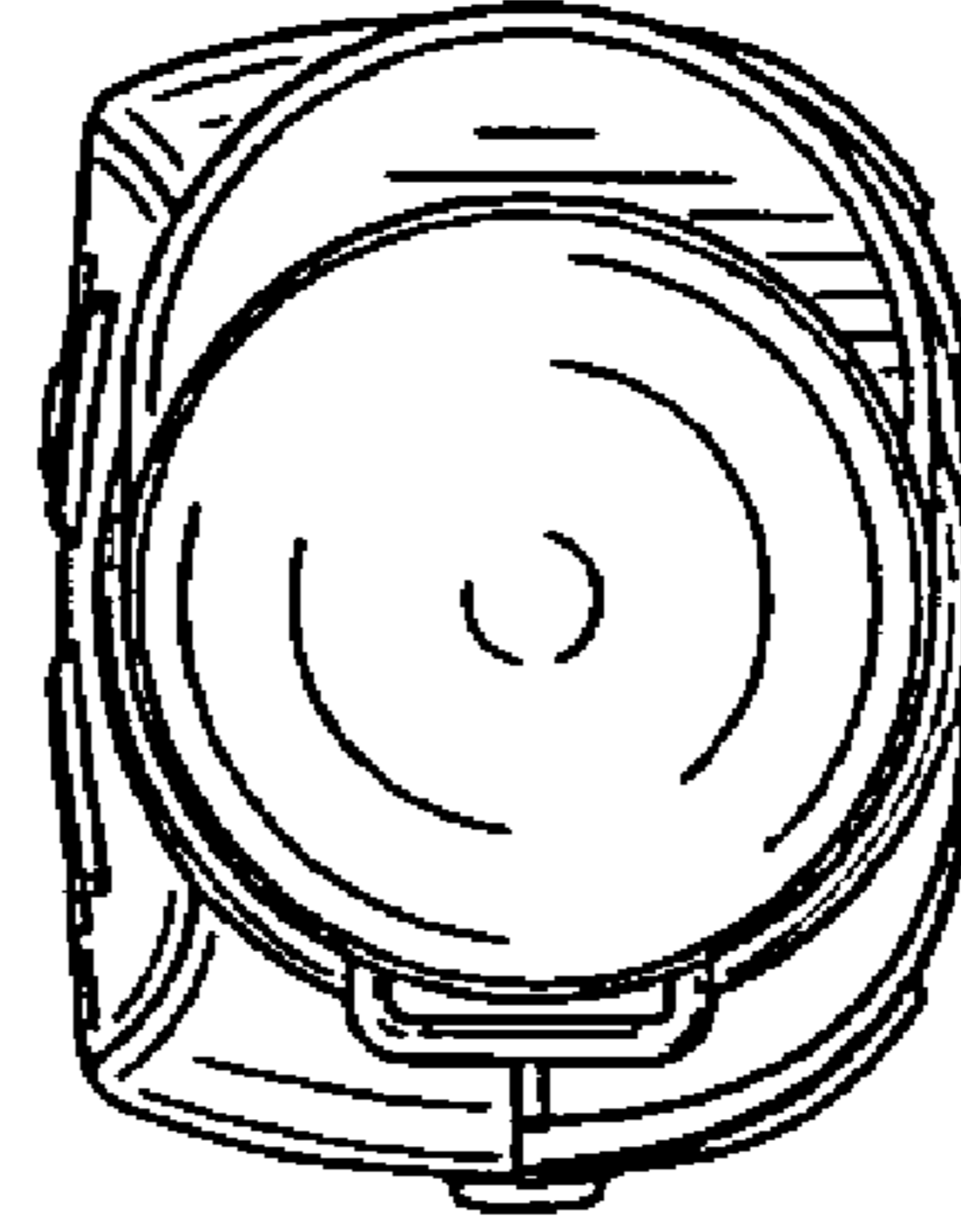
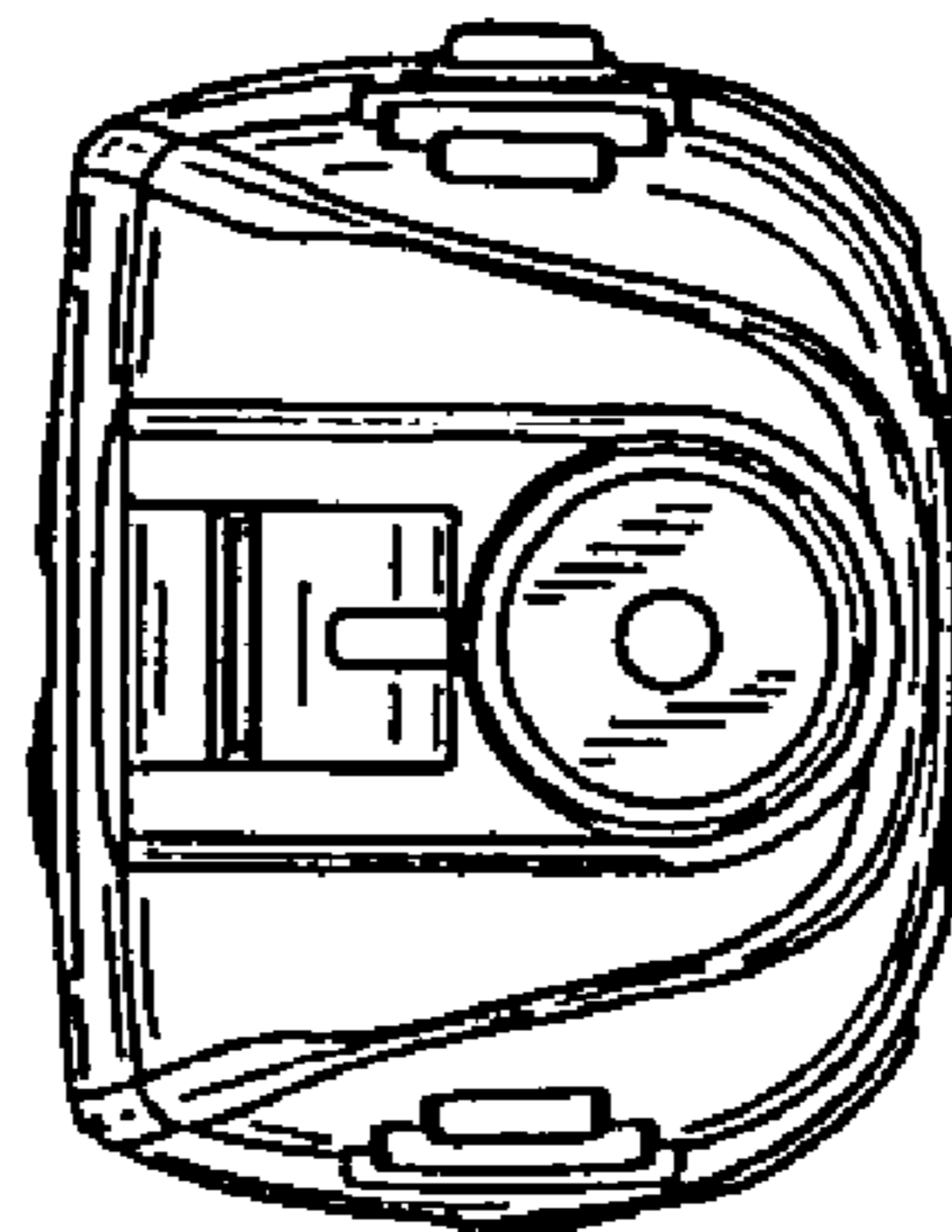


FIG. 4



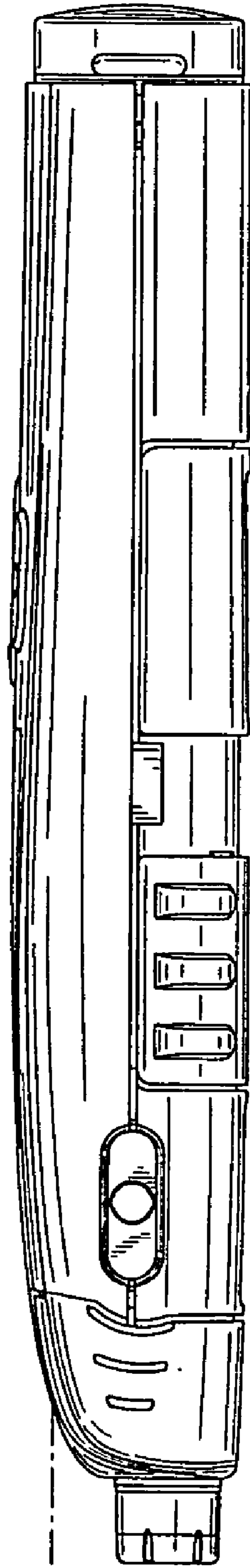


FIG. 6

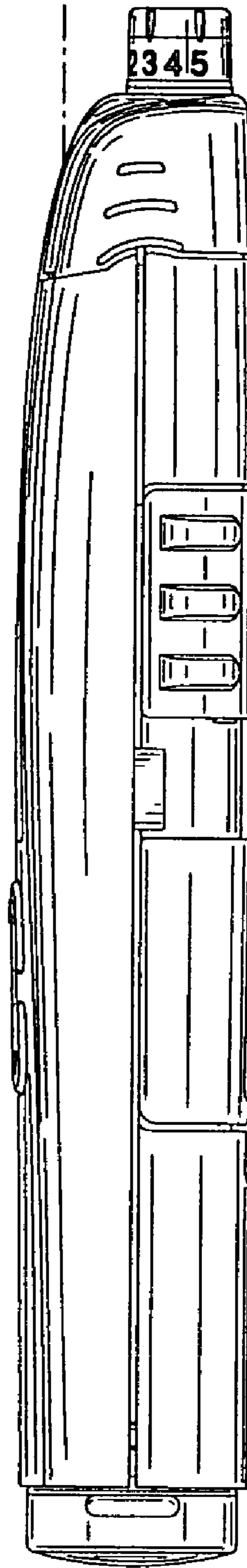


FIG. 7

FIG. 8

