

US00D545438S

(12) **United States Design Patent**
Huang et al.

(10) **Patent No.:** **US D545,438 S**

(45) **Date of Patent:** **** Jun. 26, 2007**

(54) **ANALYTE METER**

(75) Inventors: **Eileen Huang**, Cambridge, MA (US);
Joseph Flaherty, Westford, MA (US);
Sonny Vu, Dorchester, MA (US)

(73) Assignee: **Agamatrix, Inc.**, Salem, NH (US)

(**) Term: **14 Years**

(21) Appl. No.: **29/226,834**

(22) Filed: **Apr. 1, 2005**

(51) **LOC (8) Cl.** **24-01**

(52) **U.S. Cl.** **D24/186**

(58) **Field of Classification Search** D24/169,
D24/183-187, 216-234; 422/56, 58, 61,
422/67, 68.1, 102, 104; 436/46, 50, 55; 600/309,
600/318, 322, 368, 583-584, 319; D10/81,
D10/104

See application file for complete search history.

(56) **References Cited**

U.S. PATENT DOCUMENTS

D371,198 S	*	6/1996	Savage et al.	D24/169
D378,612 S	*	3/1997	Clark et al.	D24/169
D392,740 S	*	3/1998	Yung et al.	D24/169
D406,895 S	*	3/1999	Byrd et al.	D24/169
D411,621 S	*	6/1999	Eisenbarth et al.	D24/169
D414,870 S	*	10/1999	Saltzstein et al.	D24/186
D444,235 S	*	6/2001	Roberts et al.	D24/169

D473,310 S	*	4/2003	Schlagheck et al.	D24/169
D484,600 S	*	12/2003	Kaar et al.	D24/169
D495,800 S	*	9/2004	Kaar et al.	D24/169
D499,805 S	*	12/2004	D'Agostino	D24/169
D502,655 S	*	3/2005	Huang	D10/81
D503,641 S	*	4/2005	Huang	D10/81

* cited by examiner

Primary Examiner—Louis S. Zarfaz

Assistant Examiner—Mark Cavanna

(74) *Attorney, Agent, or Firm*—Marina Larson & Associates, LLC

(57) **CLAIM**

The ornamental design for a analyte meter, as shown and described.

DESCRIPTION

FIG. 1 is a perspective view of an analyte meter, showing our new design;

FIG. 2 is a top side elevation view thereof;

FIG. 3 is a bottom side elevation view thereof;

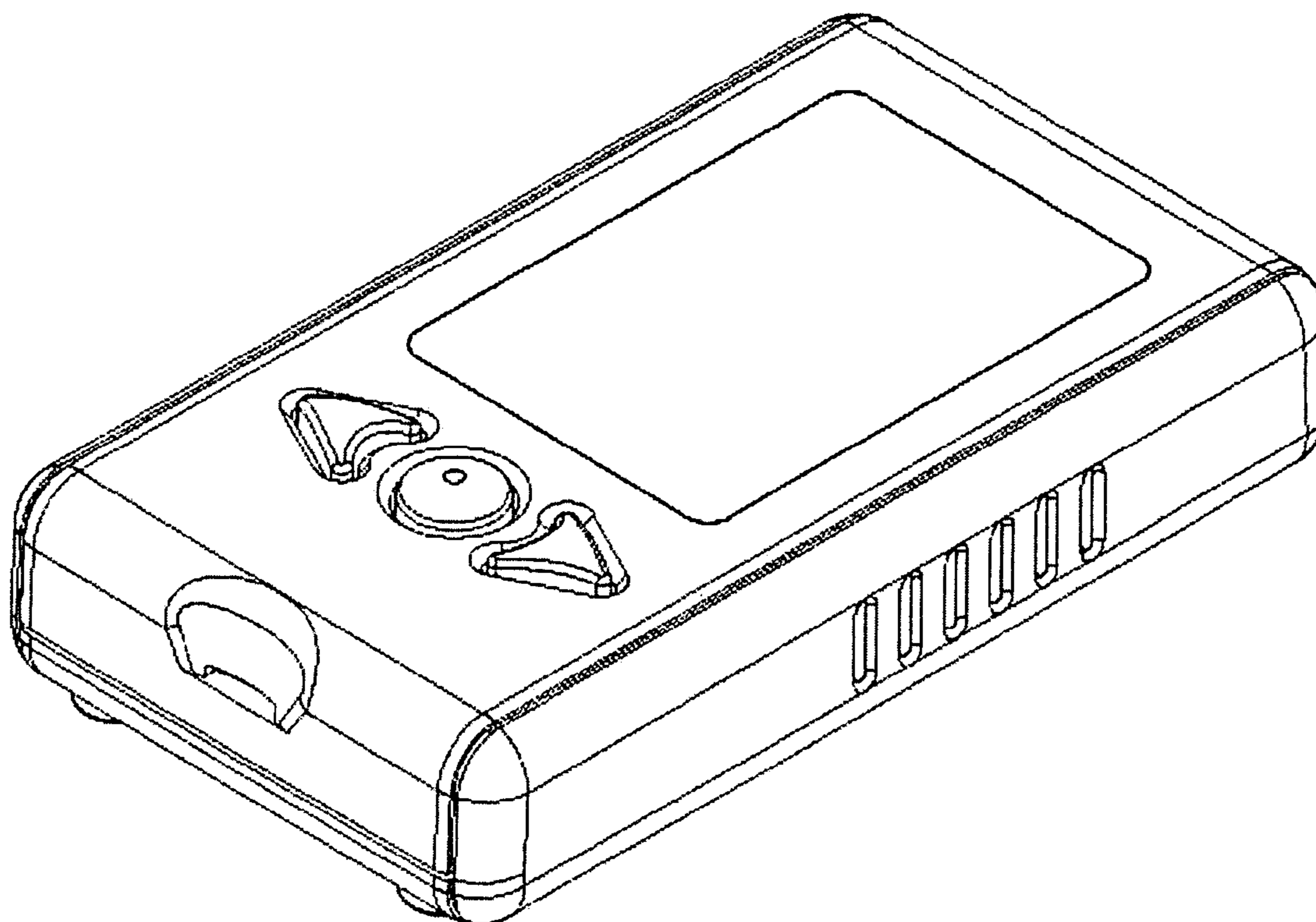
FIG. 4 is a right side elevation view thereof;

FIG. 5 is a left side elevation view thereof;

FIG. 6 is a front plan view thereof; and,

FIG. 7 is a back plan view thereof.

1 Claim, 7 Drawing Sheets



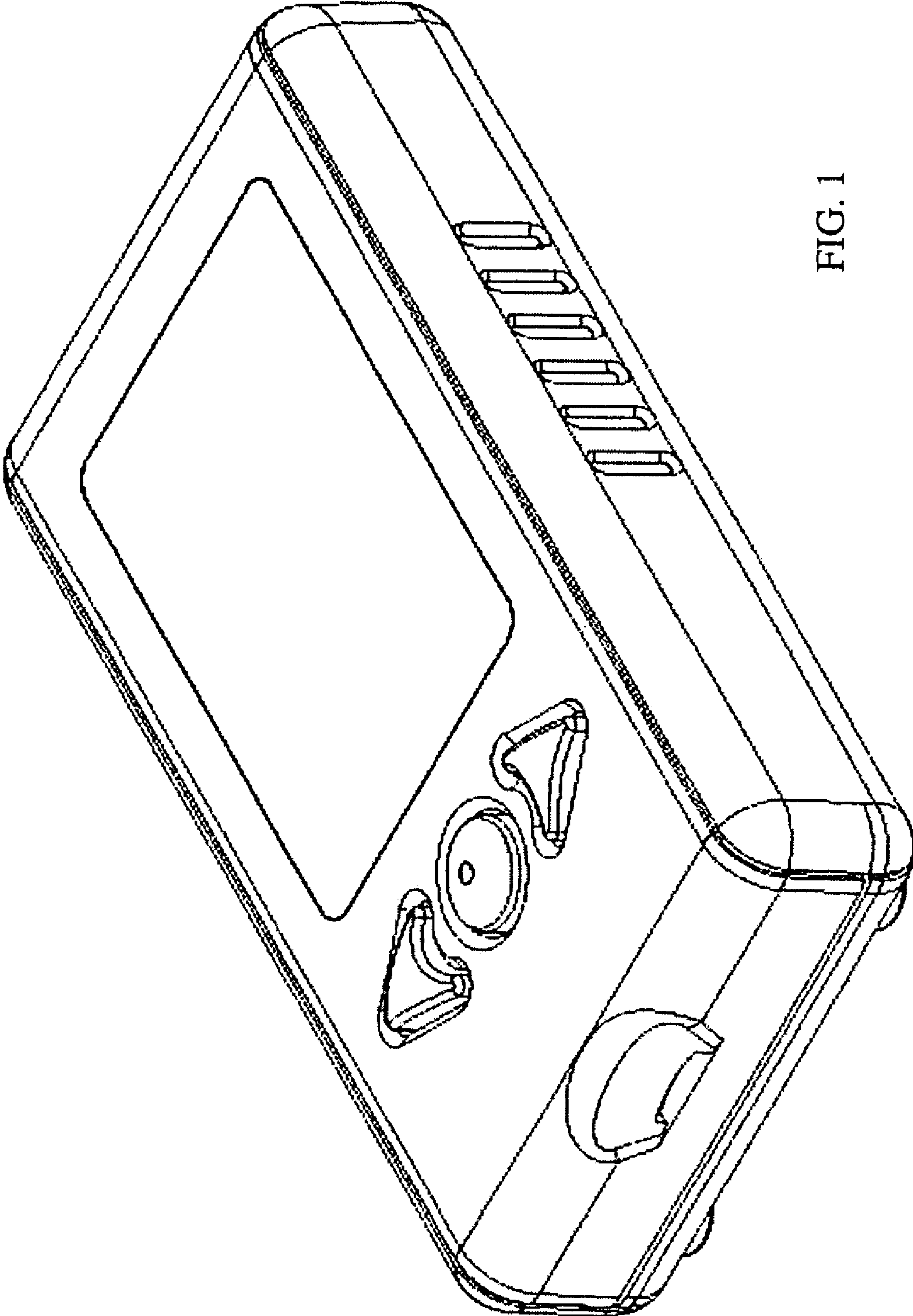


FIG. 1

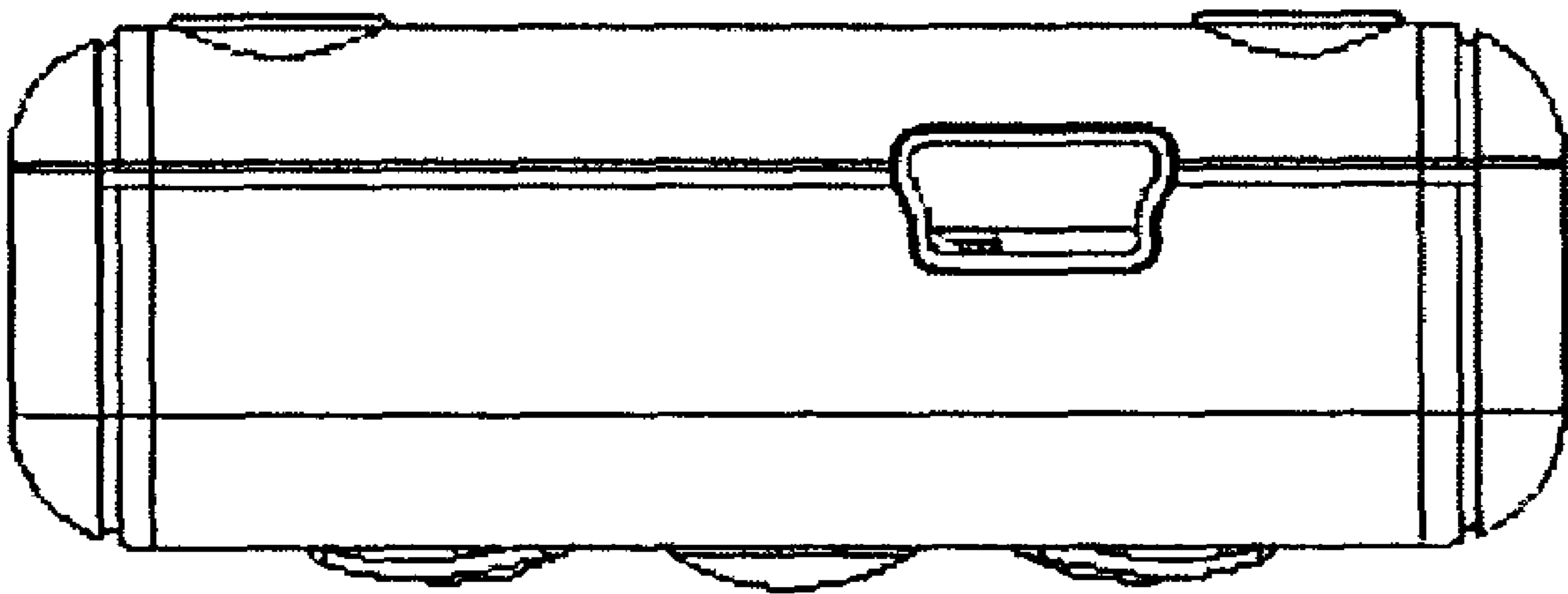


FIG. 2

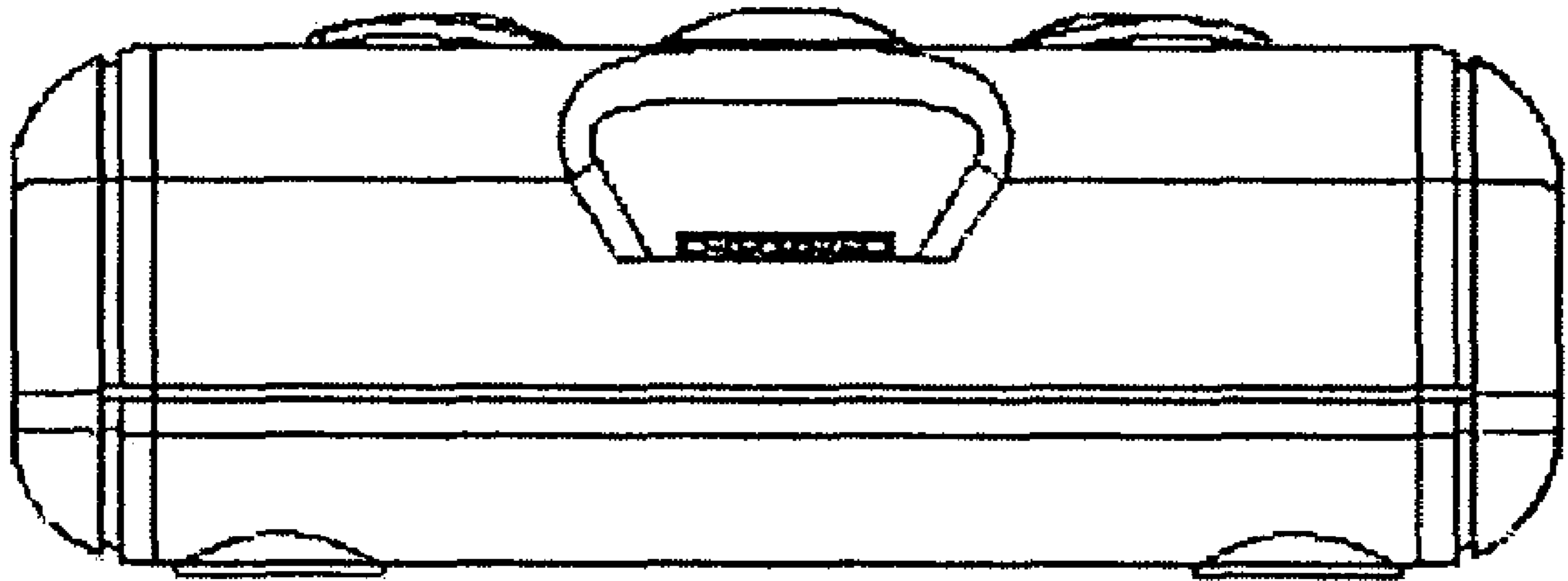


FIG. 3

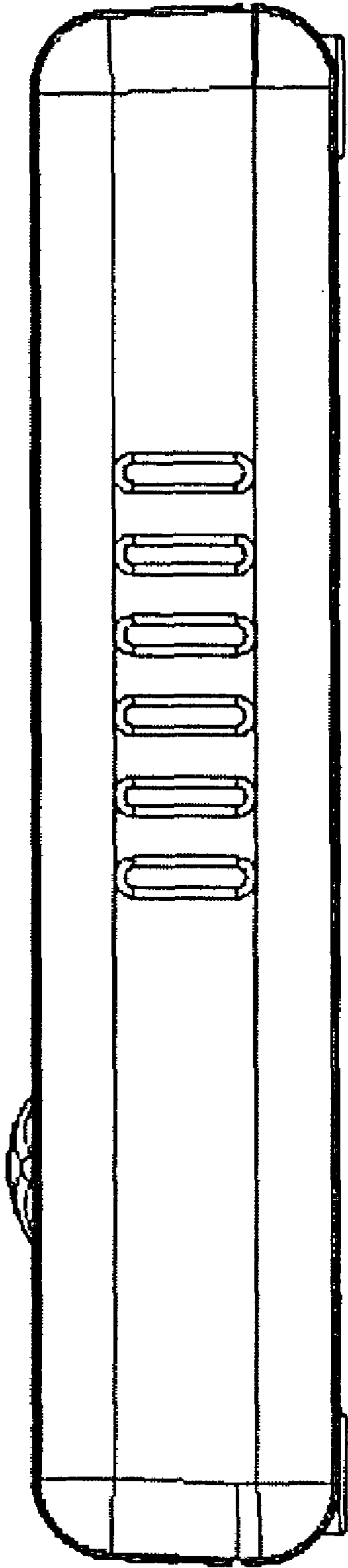


FIG. 4

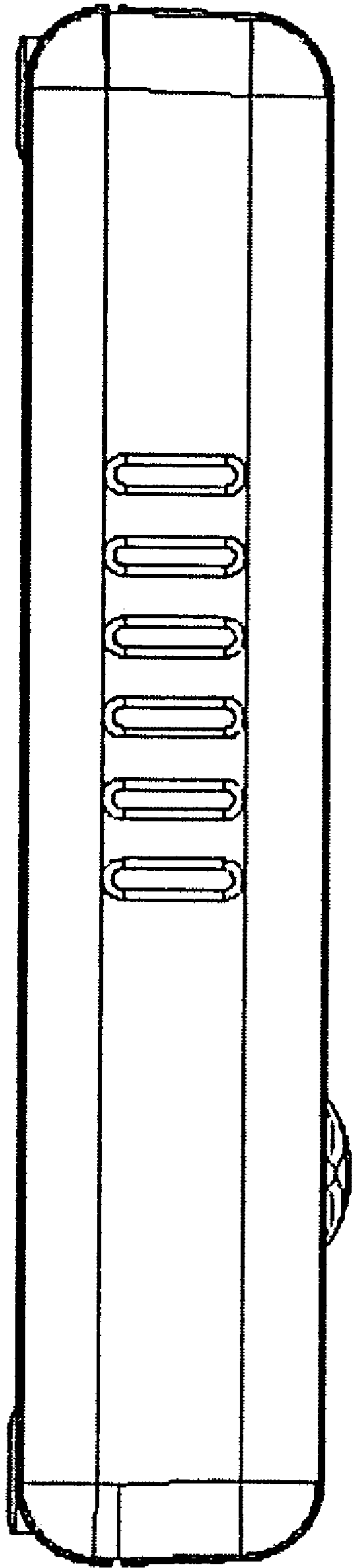


FIG. 5

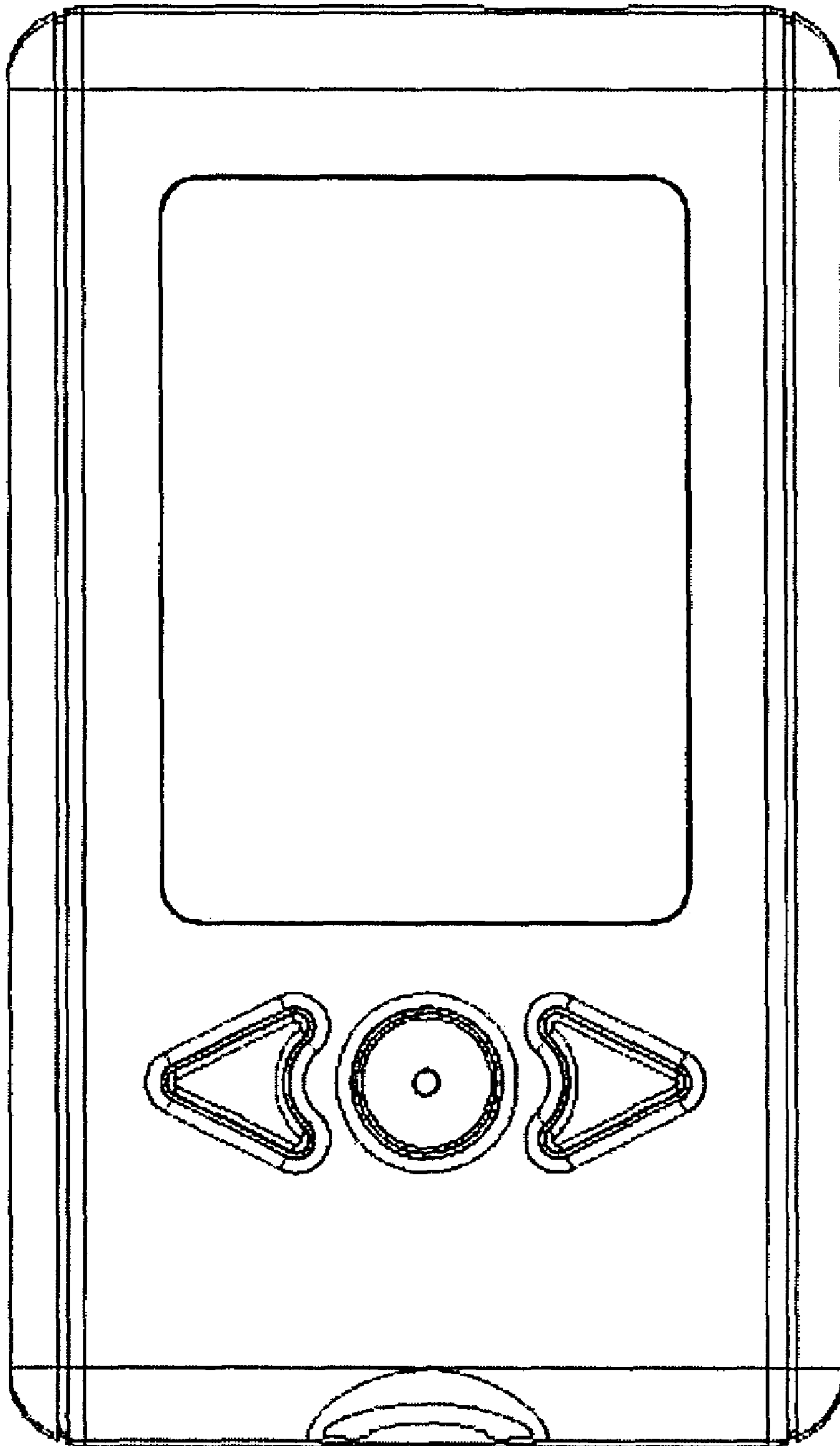


FIG. 6

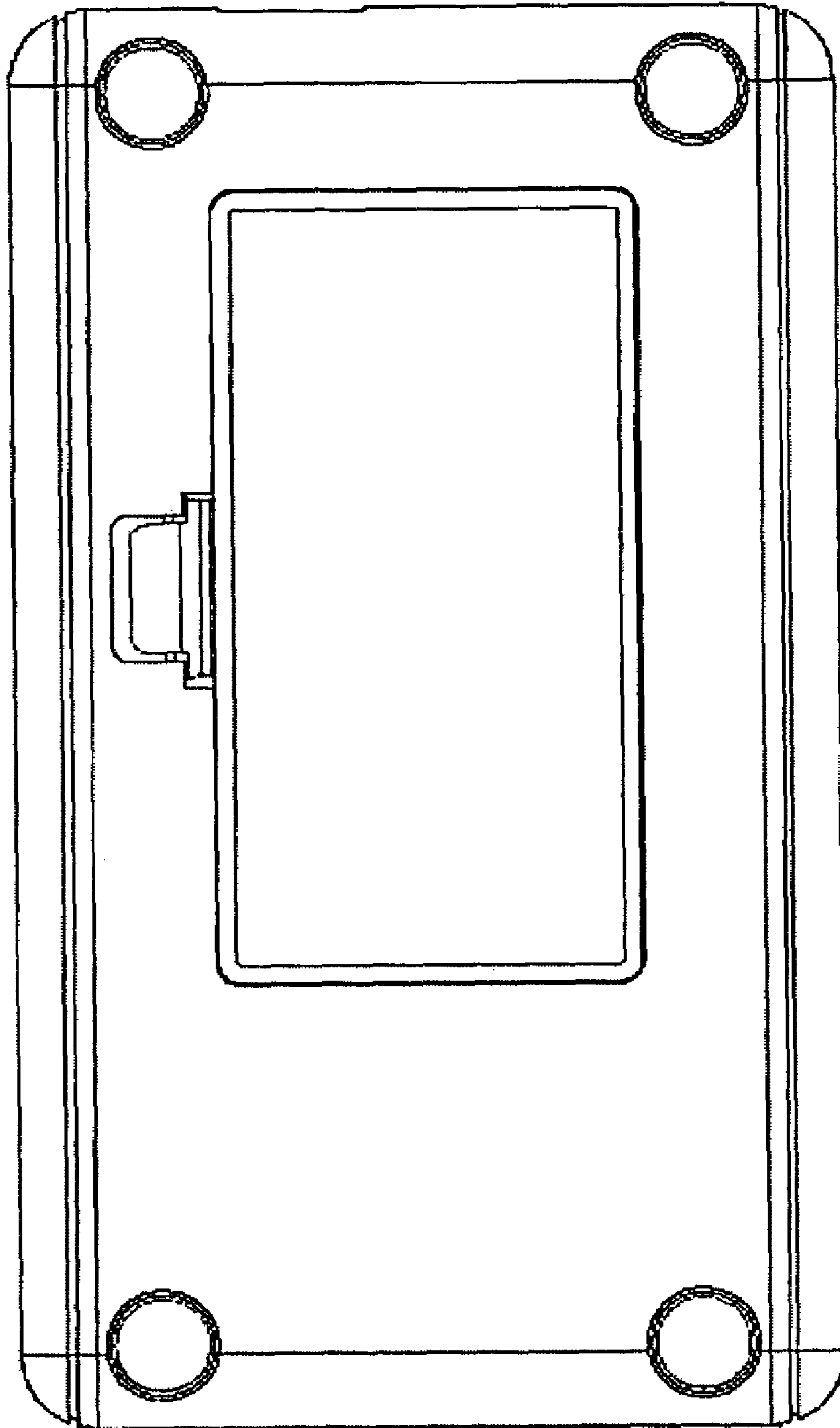


FIG. 7