

US00D545437S

(12) **United States Design Patent**
Gruenfelder et al.

(10) **Patent No.:** **US D545,437 S**
(45) **Date of Patent:** **** Jun. 26, 2007**

(54) **DENTAL OVEN**

(75) Inventors: **Robert Gruenfelder**, Eschen (LI);
Walter Pokorny, Thuringen (AT);
Andreas Reindl, Batschuns (AT);
Gottfried Rohner, Alstaetten (CH)

(73) Assignee: **Ivoclar Vivadent AG**, Schaan (LI)

(**) Term: **14 Years**

(21) Appl. No.: **29/224,239**

(22) Filed: **Feb. 26, 2005**

(30) **Foreign Application Priority Data**

Nov. 10, 2004 (DE) 4 04 06 462

(51) **LOC (8) Cl.** **24-01**

(52) **U.S. Cl.** **D24/176**

(58) **Field of Classification Search** D24/152-154,
D24/176-182, 216; 433/3, 141, 142-143,
433/147; D19/48, 49; D8/DIG. 6, DIG. 7;
D28/65-68; D23/329, 332, 314; 219/385,
219/386, 521

See application file for complete search history.

(56) **References Cited**

U.S. PATENT DOCUMENTS

2,713,110 A * 7/1955 Edgerton 219/385
3,486,004 A * 12/1969 Morrone 219/385
D286,672 S * 11/1986 McGlynn D23/332
D304,611 S * 11/1989 Stalec D23/314
5,788,485 A 8/1998 Gruenfelder
6,236,020 B1 * 5/2001 Friedman 219/385

D503,808 S * 4/2005 Stokes et al. D24/216
D516,221 S * 2/2006 Wohlstadter et al. D24/216
7,015,423 B2 * 3/2006 Friedman 219/385

OTHER PUBLICATIONS

Ivoclar Vivadent AG, Programat X1, about 2001 [downloaded from the internet].

Ivoclar Vivadent AG, Programat P100, about 2001 [downloaded from the internet].

Ivoclar Vivadent AG, Programat P200, about 2001 [downloaded from the internet].

* cited by examiner

Primary Examiner—Charles A. Rademaker

(74) *Attorney, Agent, or Firm*—John C. Thompson; Alan S. Korman

(57) **CLAIM**

The ornamental design for a dental oven, as shown and described.

DESCRIPTION

FIG. 1 is a left side elevation of a dental oven showing our new design with the dental box in the lowered position;

FIG. 2 is a right side elevation thereof;

FIG. 3 is a top plan view thereof;

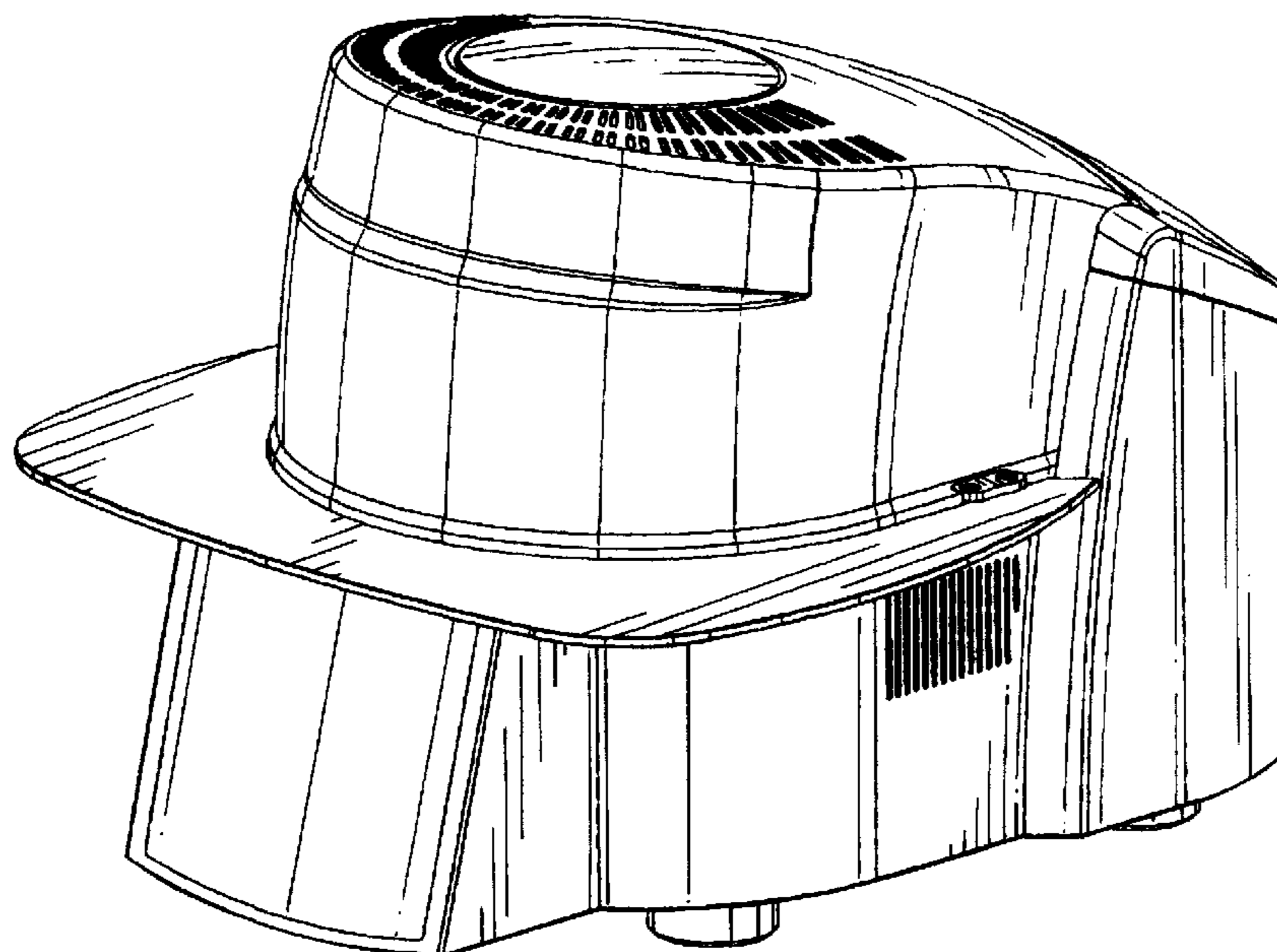
FIG. 4 is a bottom plan view thereof;

FIG. 5 is a right side perspective view thereof;

FIG. 6 is a left side perspective thereof with the dental box in the raised position; and,

FIG. 7 is a right side perspective view thereof.

1 Claim, 7 Drawing Sheets



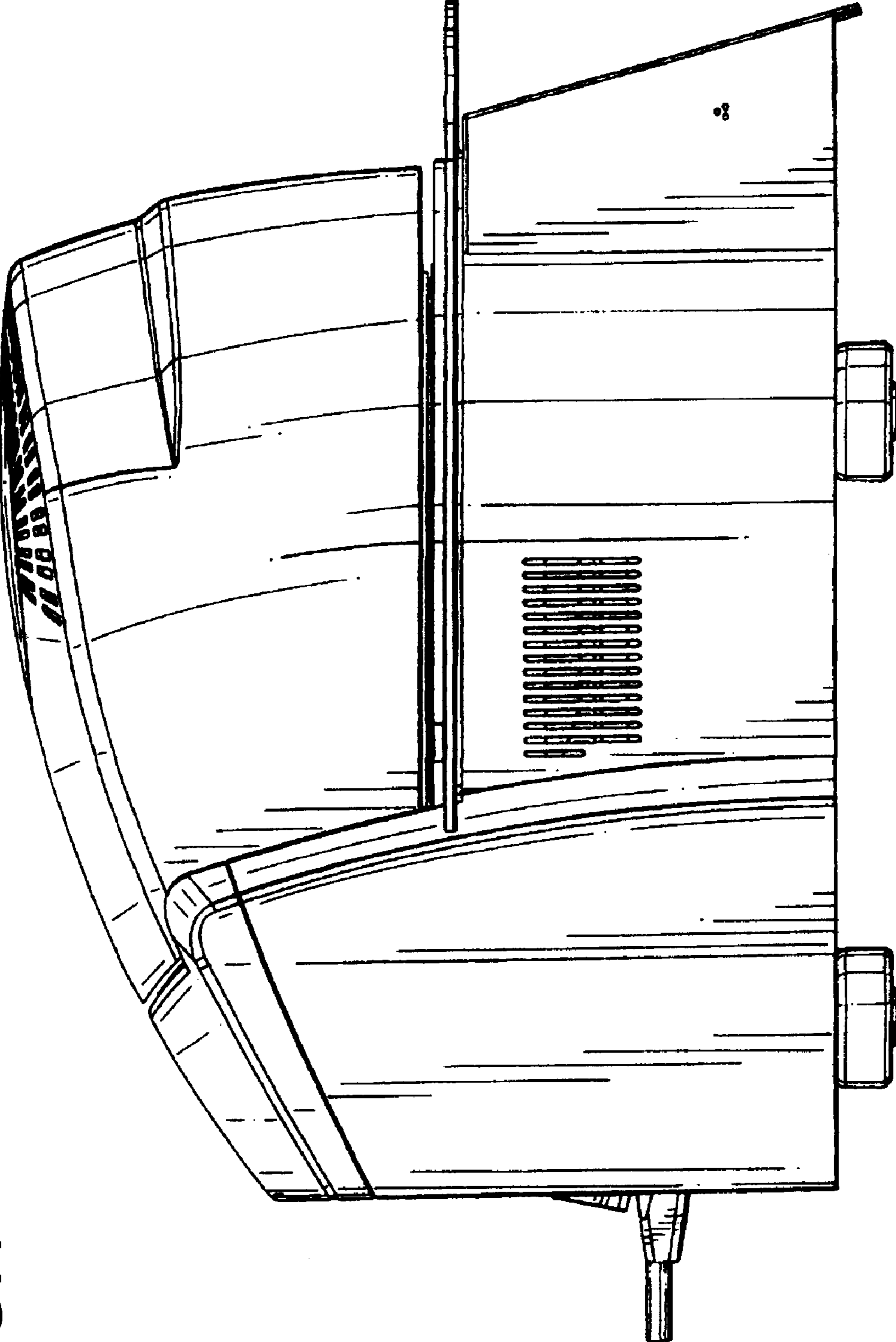


FIG. 1

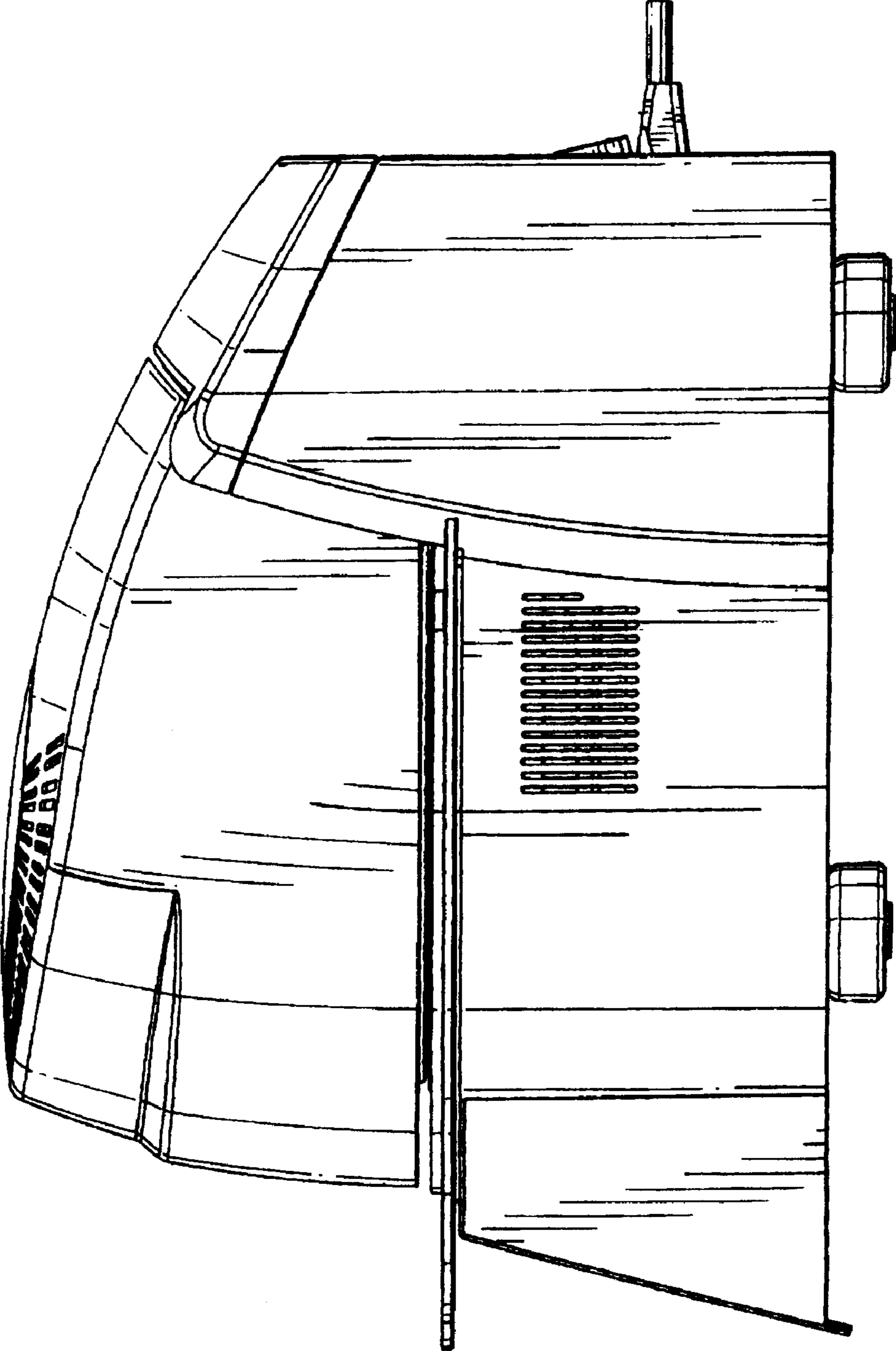


FIG.2

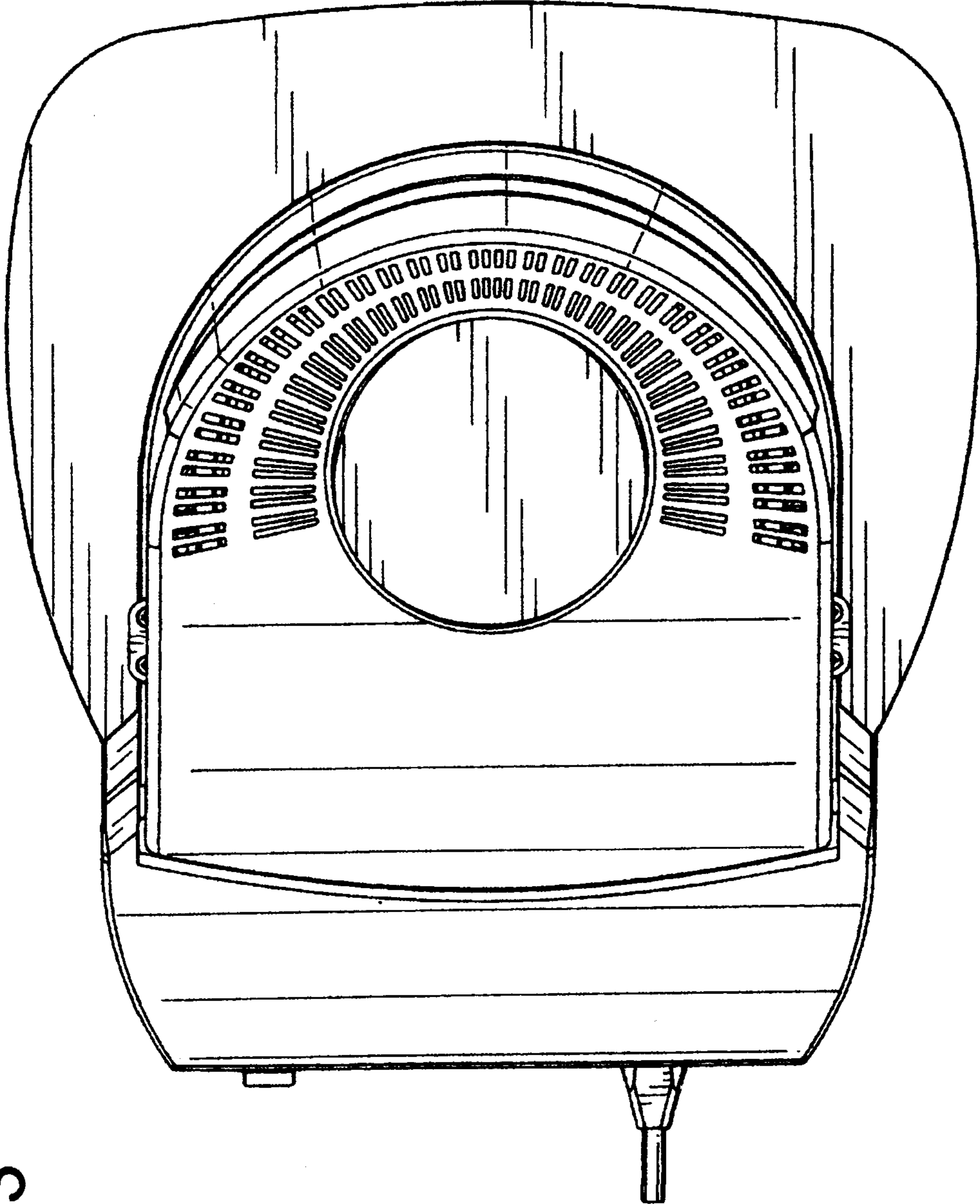


FIG. 3

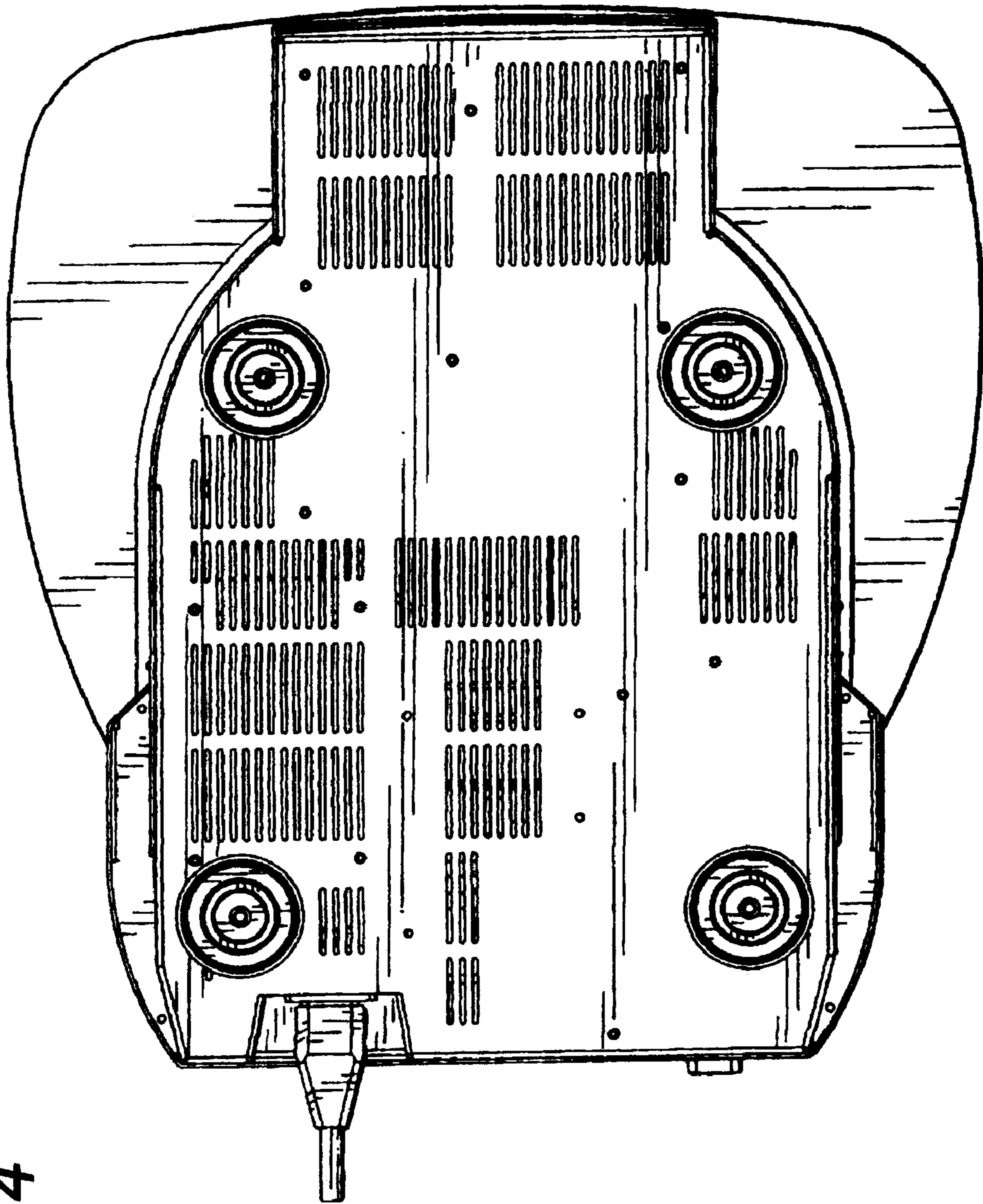


FIG. 4

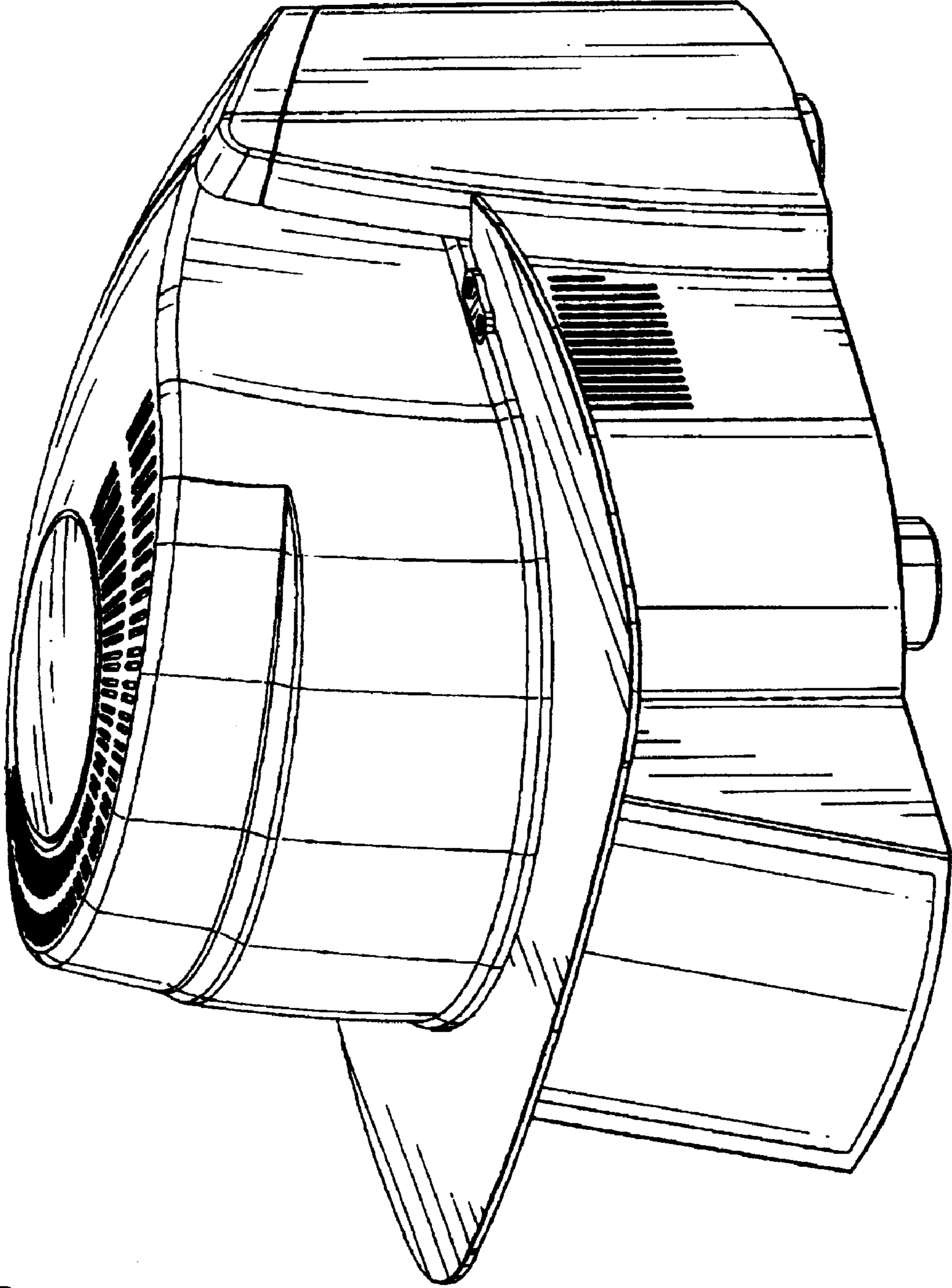


FIG. 5

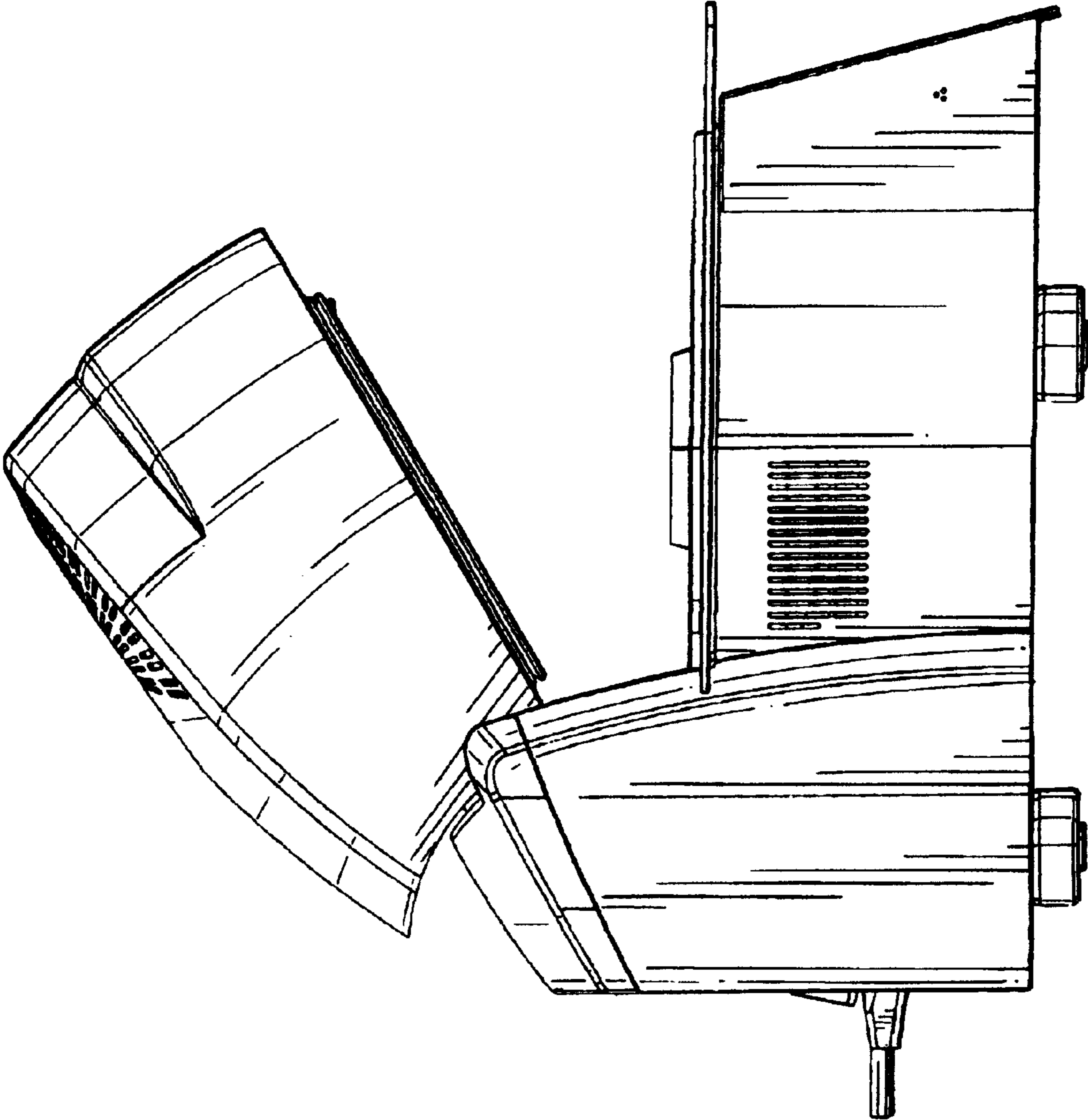


FIG. 6

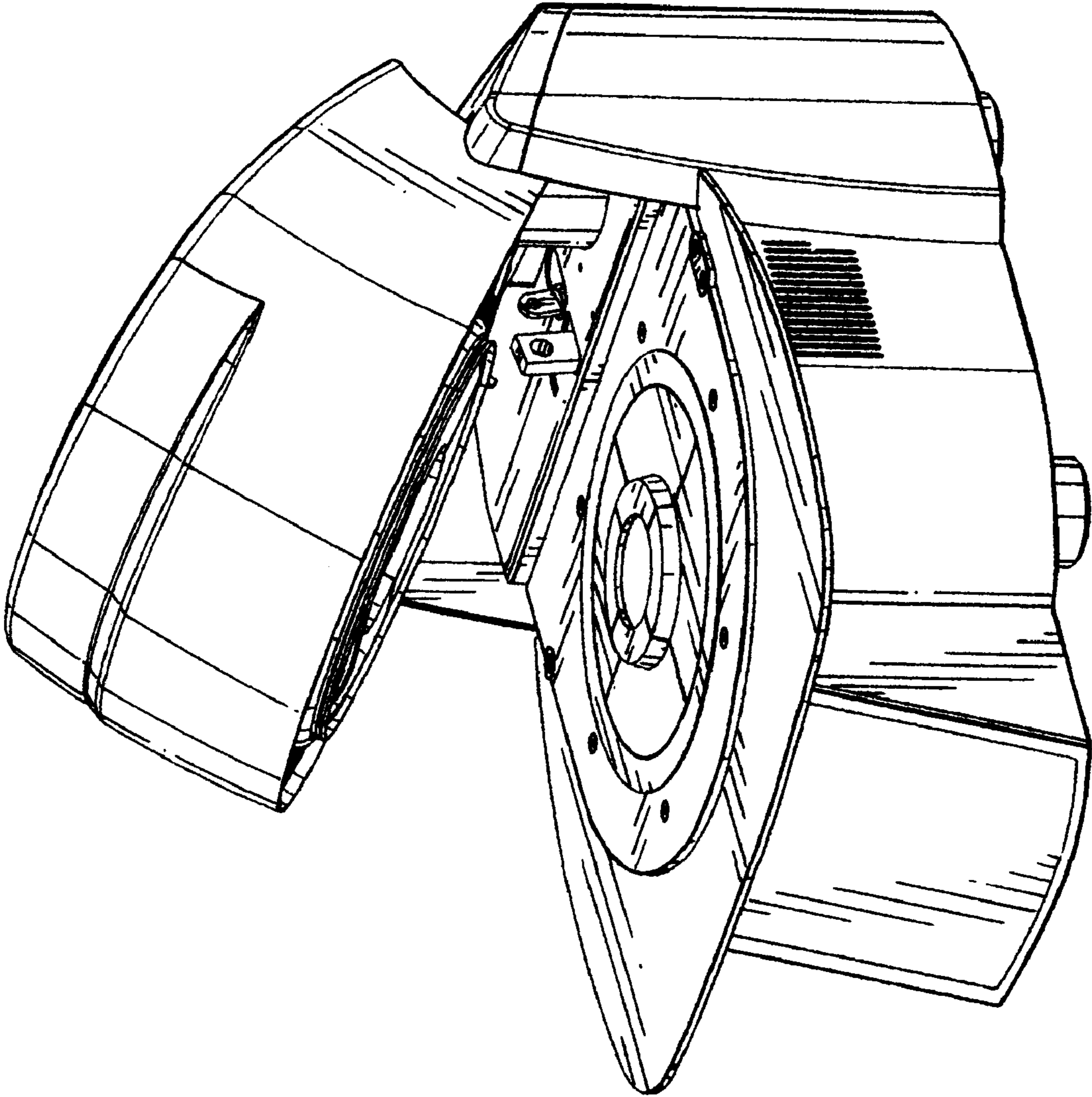


FIG. 7