



US00D545435S

(12) **United States Design Patent**
Fowelin

(10) **Patent No.:** **US D545,435 S**

(45) **Date of Patent:** **** Jun. 26, 2007**

(54) **BLOOD PRESSURE CUFF FOR TOES AND FINGERS**

(75) Inventor: **Jesper Fowelin**, Varvagen (SE)

(73) Assignee: **Patenibyran Wallengren** (SE)

(**) Term: **14 Years**

(21) Appl. No.: **29/227,608**

(22) Filed: **Apr. 12, 2005**

Related U.S. Application Data

(63) Continuation-in-part of application No. 29/178,599, filed on Mar. 27, 2003.

(51) **LOC (8) Cl.** **24-02**

(52) **U.S. Cl.** **D24/169; D24/165**

(58) **Field of Classification Search** D24/165-169, D24/191-192; 600/479, 480, 481, 482, 485, 600/490, 493, 495, 500; 606/202
See application file for complete search history.

(56) **References Cited**

U.S. PATENT DOCUMENTS

| | | | |
|-------------|-----------|-----------------------|---------|
| 4,354,503 A | 10/1982 | Golden | |
| 4,635,635 A | 1/1987 | Robinette-Lehman | |
| 4,979,953 A | 12/1990 | Spence | |
| D320,858 S | * 10/1991 | Kida et al. | D24/165 |
| D324,425 S | * 3/1992 | Yoshikawa et al. | D24/165 |
| 5,201,758 A | 4/1993 | Glover | |
| 5,312,431 A | * 5/1994 | McEwen | 606/202 |
| D356,155 S | * 3/1995 | Caven | D24/165 |
| 5,413,582 A | 5/1995 | Eaton | |
| D362,068 S | 9/1995 | Baker et al. | |

| | | | |
|--------------|-----------|---------------------|---------|
| D376,013 S | * 11/1996 | Sandman et al. | D24/169 |
| 5,649,954 A | * 7/1997 | McEwen | 606/202 |
| 6,036,718 A | * 3/2000 | Ledford et al. | 606/202 |
| 6,290,653 B1 | * 9/2001 | Che et al. | 600/490 |
| 6,746,406 B2 | * 6/2004 | Lia et al. | 600/499 |

* cited by examiner

Primary Examiner—Louis S. Zarfaz

Assistant Examiner—Anhdao Doan

(74) *Attorney, Agent, or Firm*—Bachman & LaPointe, P.C.

(57) **CLAIM**

The ornamental design for a blood pressure cuff for toes and fingers, as shown and described.

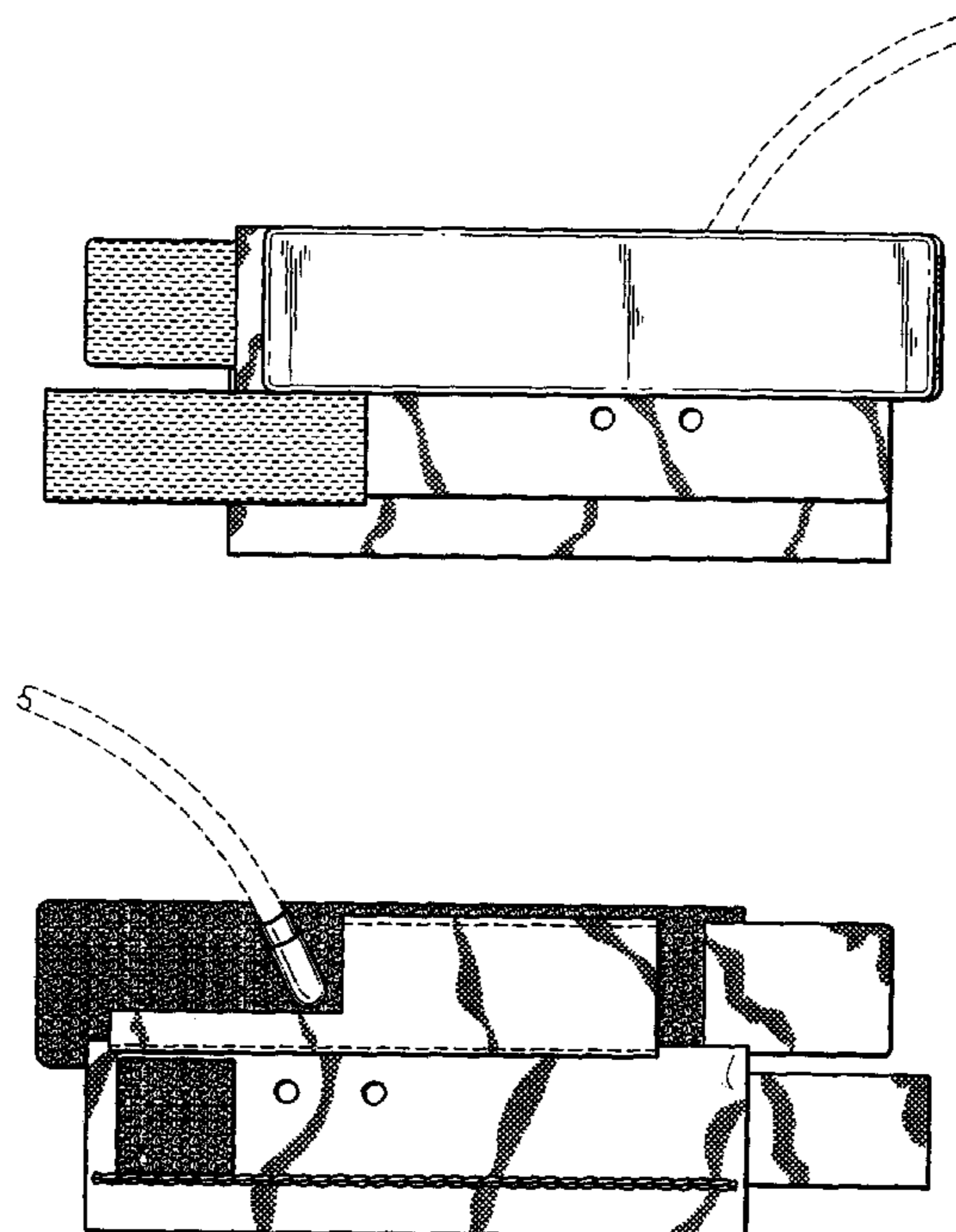
DESCRIPTION

FIG. 1 is a bottom view of a blood pressure cuff for toes or fingers in accordance with the present invention; FIG. 2 is a top view of a blood pressure cuff for toes and fingers in accordance with the present invention; FIG. 3 is a side view of a blood pressure cuff for toes and fingers in accordance with the present invention; FIG. 4 is another side view of a blood pressure cuff for toes and fingers in accordance with the present invention; FIG. 5 is an end view of a blood pressure cuff for toes and fingers in accordance with the present invention; and, FIG. 6 is another end view of a blood pressure cuff for toes and fingers in accordance with the present invention.

The broken line showing of the tube in the drawings is for illustrative purposes only and forms no part of the claimed design.

The broken lines shown on the upper tab in FIG. 2 represent conventional stitching.

1 Claim, 2 Drawing Sheets



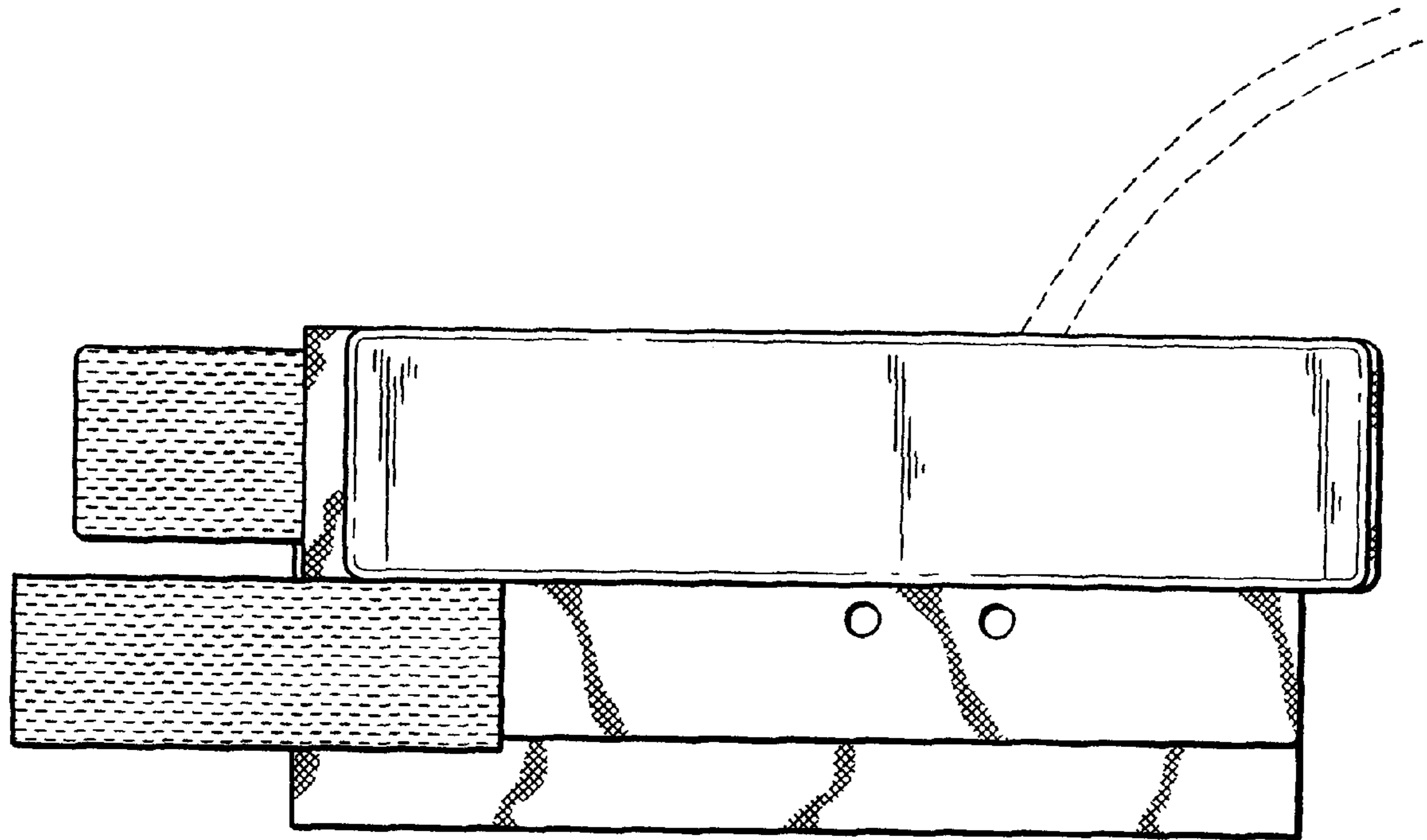


FIG. 1

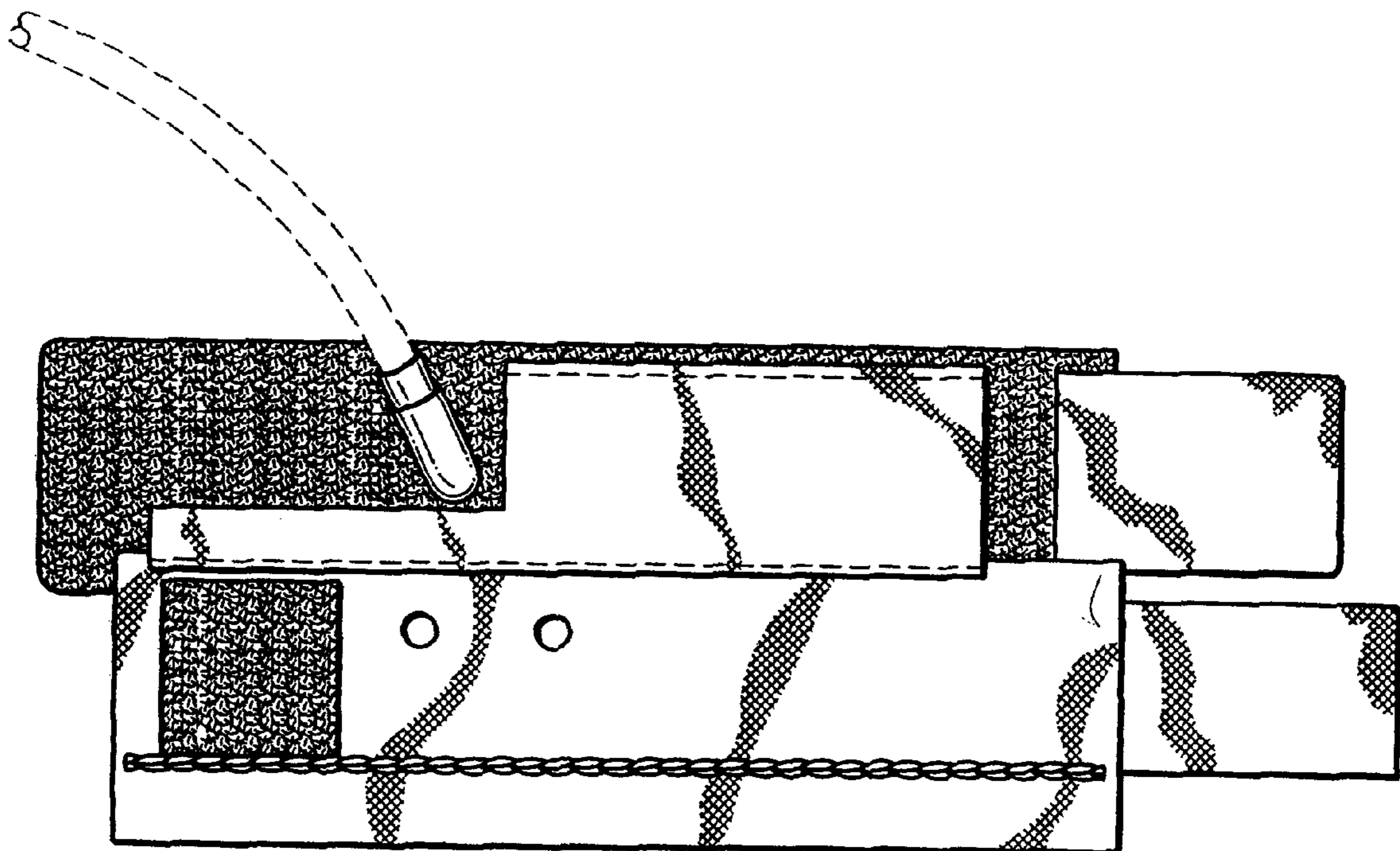


FIG. 2

