

US00D545434S

(12) **United States Design Patent**
Ogiwara

(10) **Patent No.:** **US D545,434 S**

(45) **Date of Patent:** **** Jun. 26, 2007**

(54) **CONTROLLER FOR AN X-RAY APPARATUS FOR MEDICAL TREATMENT**

D448,378 S * 9/2001 Arnold et al. D14/396
D487,466 S * 3/2004 Yokota D14/454
D523,146 S * 6/2006 Ogiwara D24/158

(75) Inventor: **Susumu Ogiwara**, Kumagaya (JP)

FOREIGN PATENT DOCUMENTS

(73) Assignees: **Kabushiki Kaisha Toshiba (JP);**
Toshiba Medical Systems Corporation
(JP)

JP 1033098 2/1999
JP 1105244 4/2001
JP 1105245 4/2001

(**) Term: **14 Years**

* cited by examiner

(21) Appl. No.: **29/262,527**

Primary Examiner—Lou Zarfaz

Assistant Examiner—Anhdao Doan

(22) Filed: **Jul. 6, 2006**

(74) *Attorney, Agent, or Firm*—Banner & Witcoff, Ltd.

(30) **Foreign Application Priority Data**

(57) **CLAIM**

Apr. 5, 2006 (JP) 2006-008793

The ornamental design for a controller for an x- ray apparatus for medical treatment, as shown and described.

(51) **LOC (8) Cl.** **24-01**

(52) **U.S. Cl.** **D24/158**

(58) **Field of Classification Search** D24/158-161,
D24/183; 378/178-190, 193, 195-198, 208,
378/209, 10, 11, 37-39; D14/392-394, 396,
D14/397, 400, 412; D21/325, 331, 332
See application file for complete search history.

DESCRIPTION

FIG. 1 is a front, top and left side perspective view of a controller for an x- ray apparatus for medical treatment, showing my new design;

FIG. 2 is a front elevational view thereof;

FIG. 3 is a rear elevational view thereof;

FIG. 4 is a top plan view thereof;

FIG. 5 is a bottom plan view thereof;

FIG. 6 is a left side elevational view thereof; and,

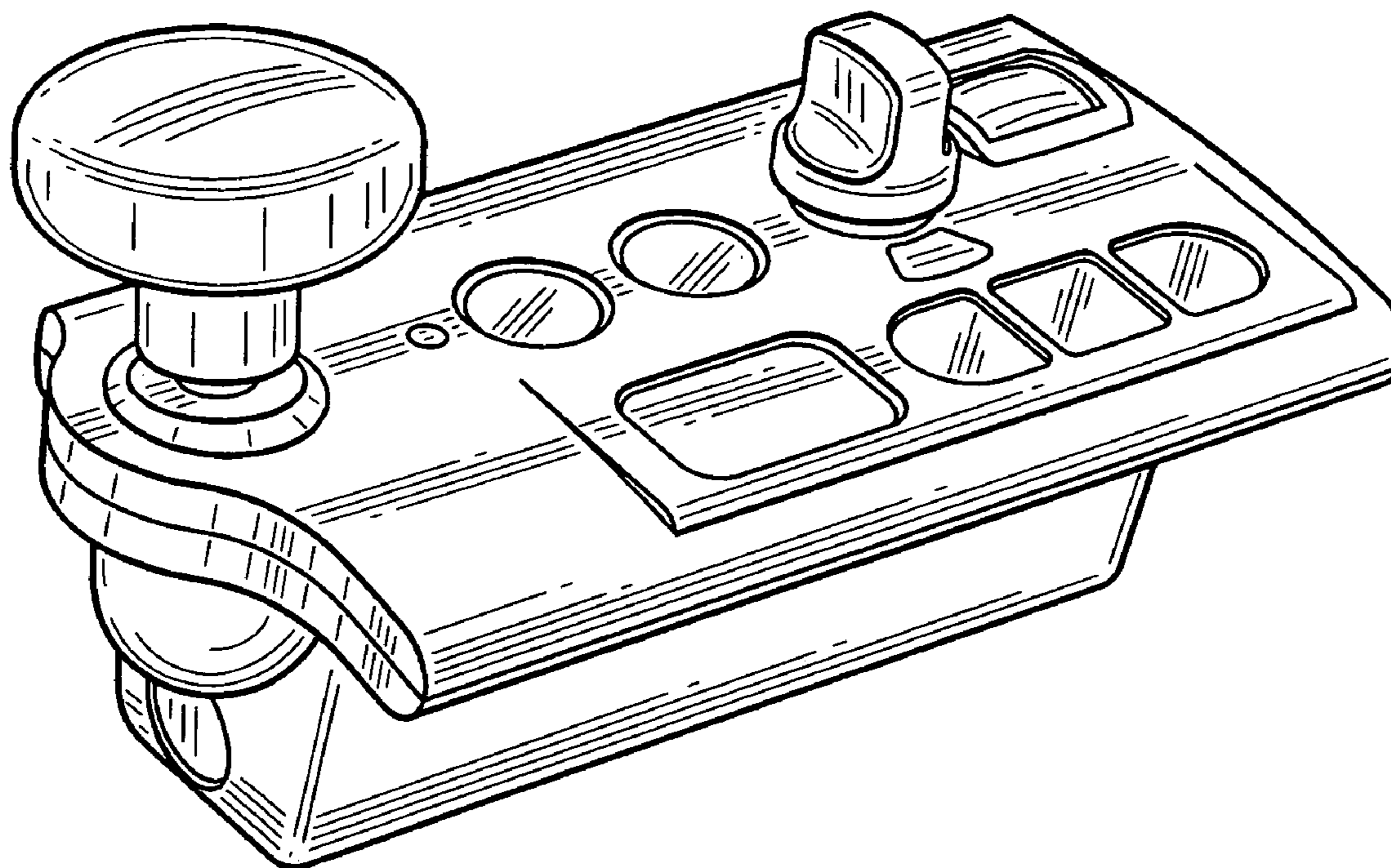
FIG. 7 is a right side elevational view thereof.

(56) **References Cited**

U.S. PATENT DOCUMENTS

D253,234 S * 10/1979 Cooke D13/168
D385,854 S * 11/1997 Sumii D14/399
D387,094 S * 12/1997 Muraki et al. D14/400
D411,530 S * 6/1999 Carter et al. D14/400
D417,001 S * 11/1999 Chikuma D24/158

1 Claim, 4 Drawing Sheets



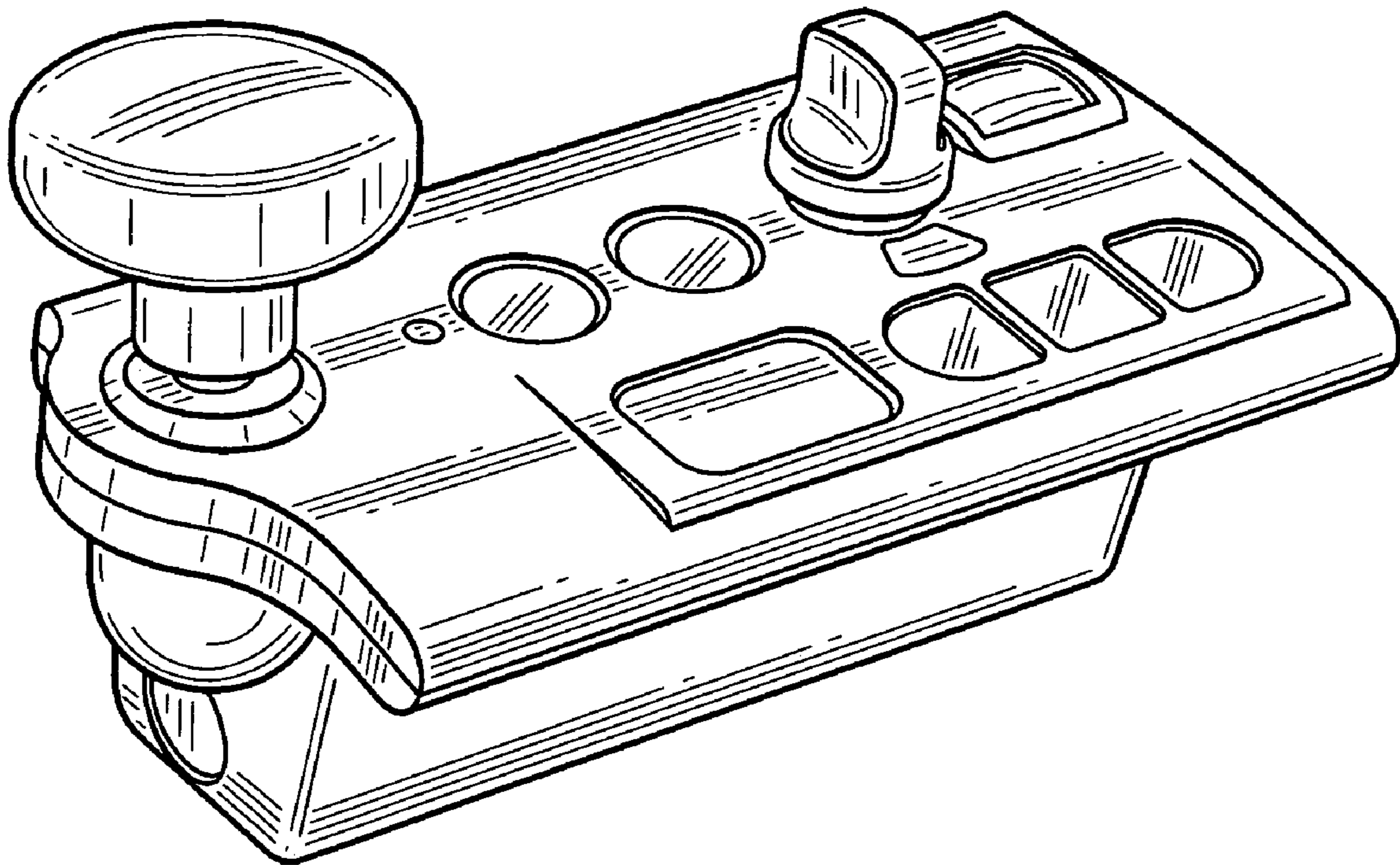


FIG.1

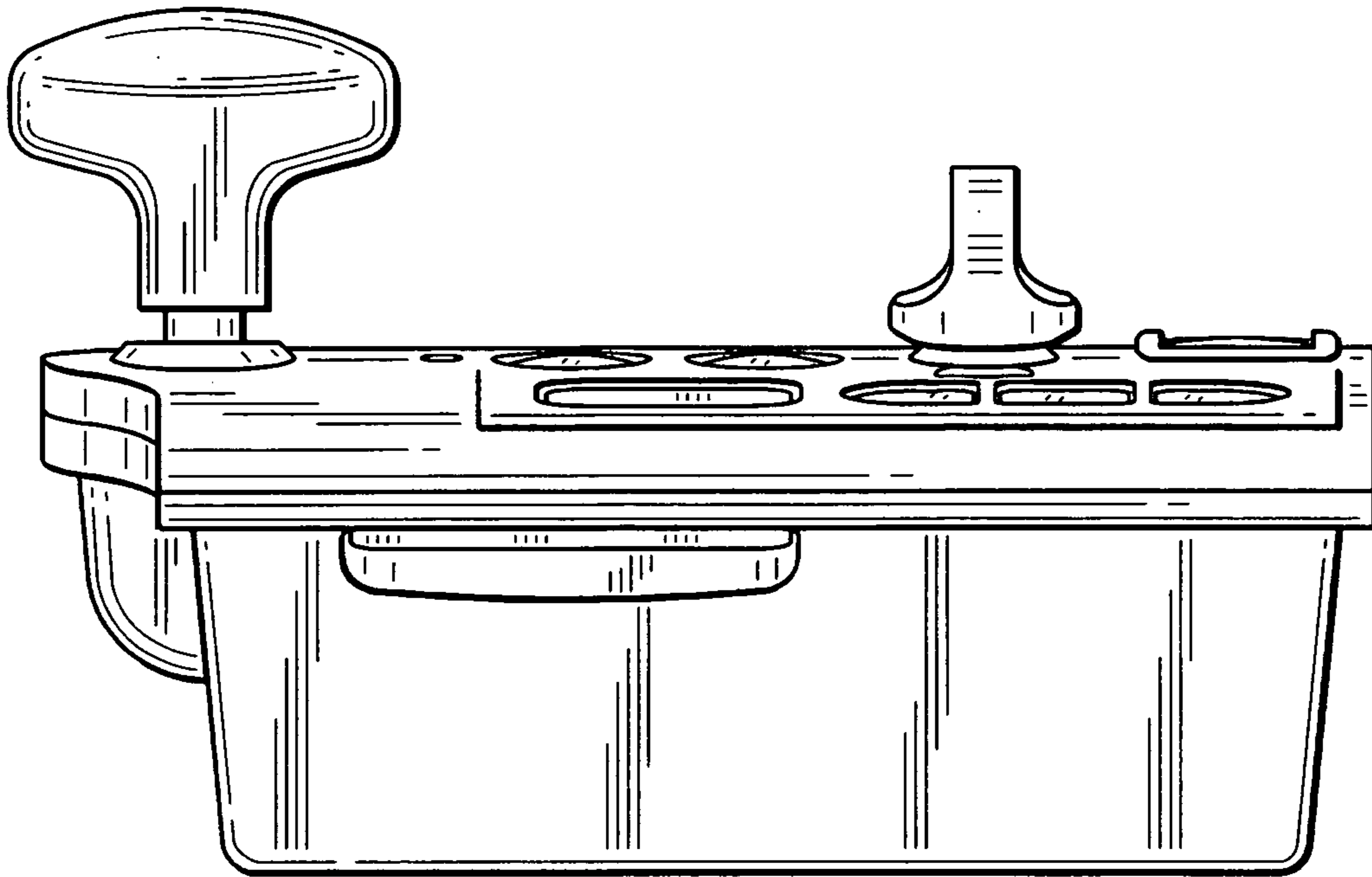


FIG. 2

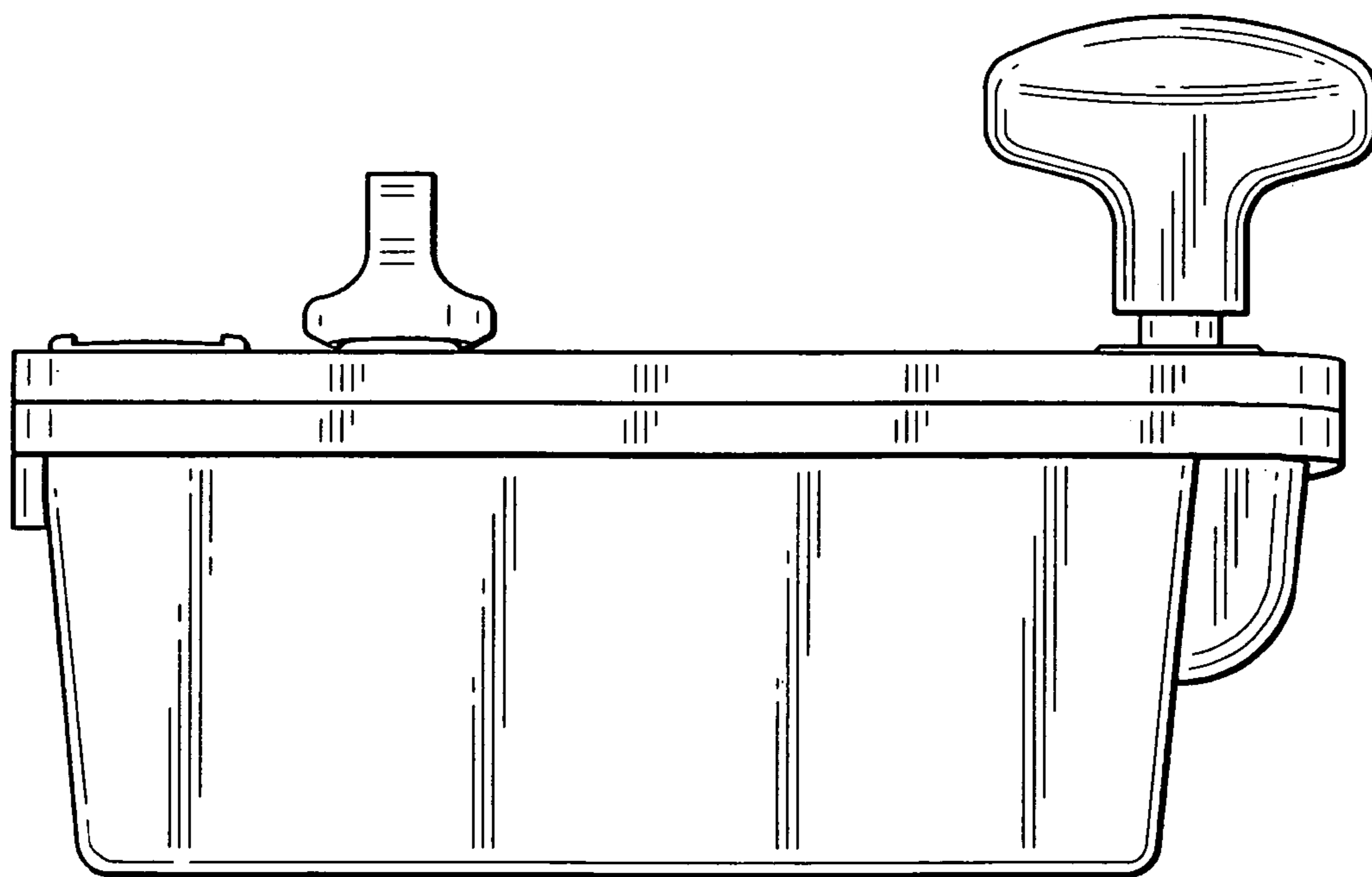


FIG. 3

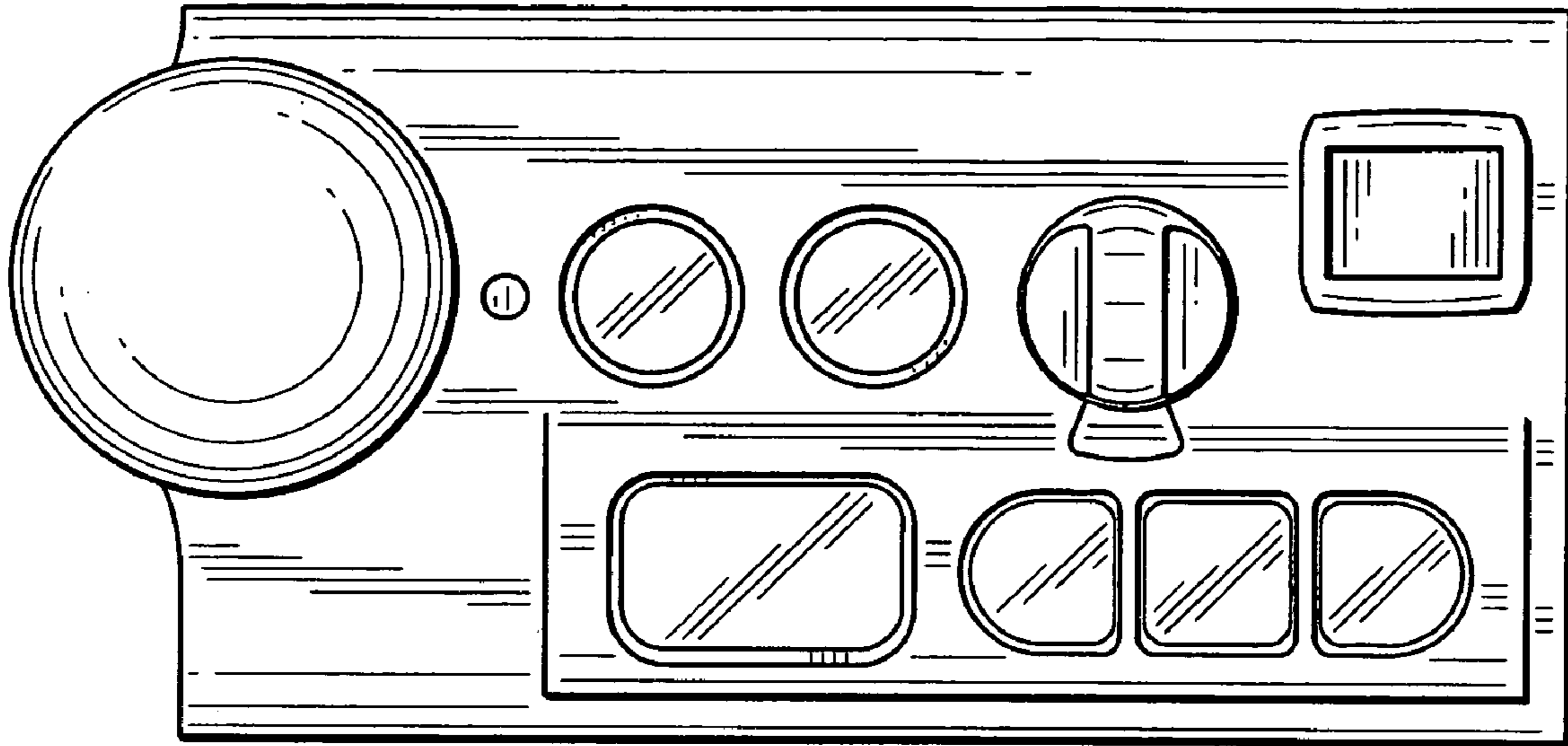


FIG. 4

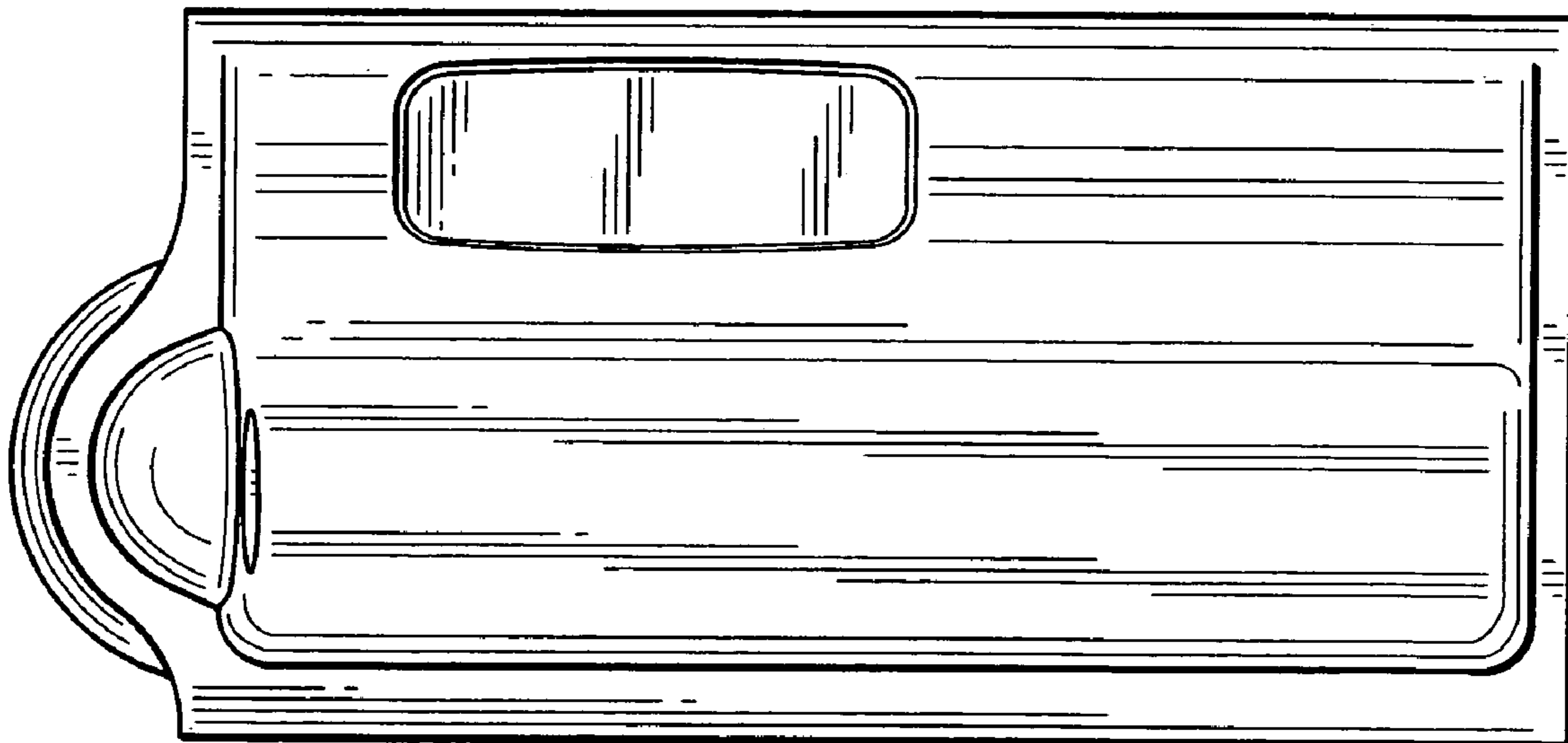


FIG. 5

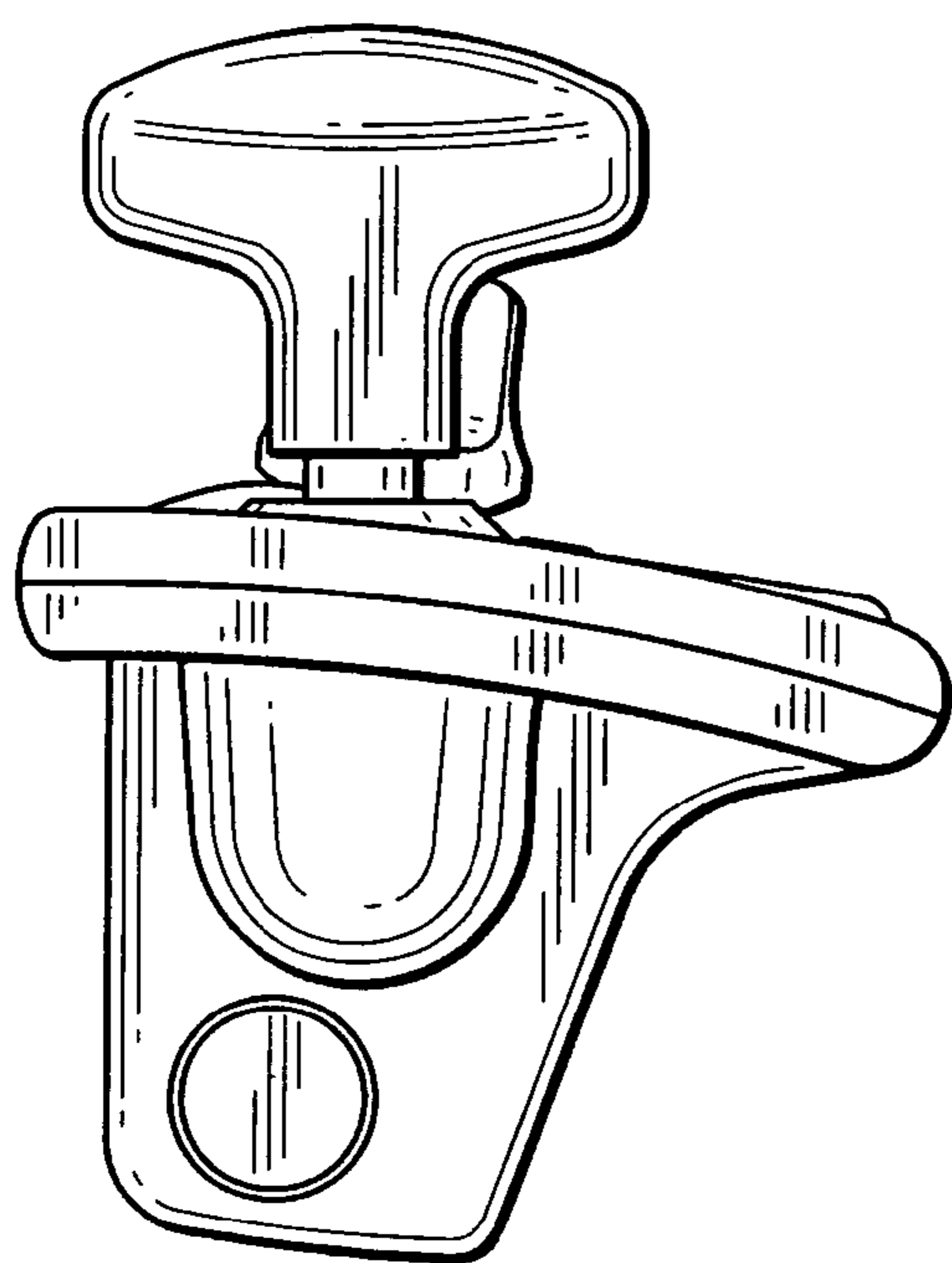


FIG. 6

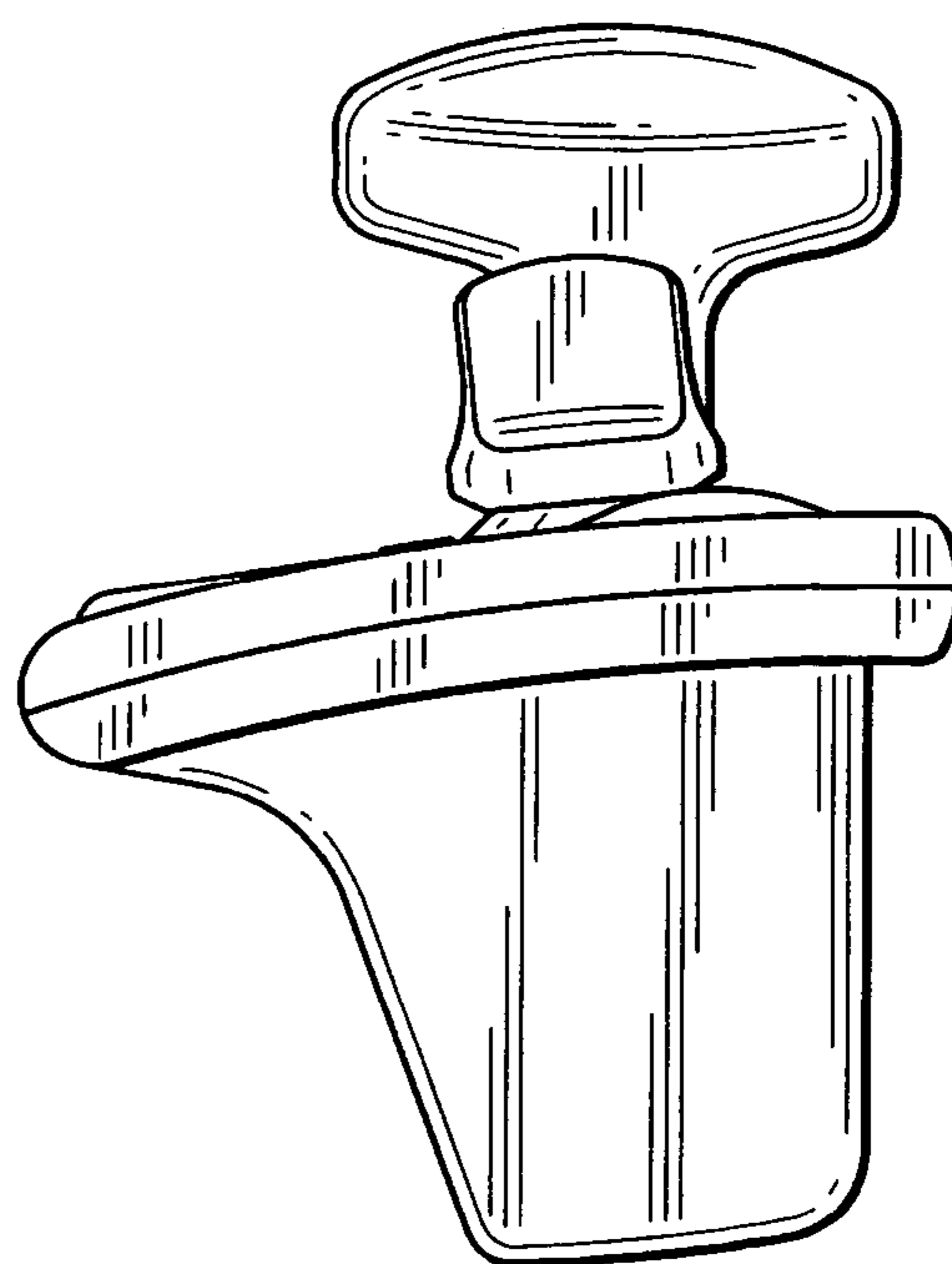


FIG. 7