

US00D545432S

(12) **United States Design Patent**
Watanabe

(10) **Patent No.:** **US D545,432 S**

(45) **Date of Patent:** **** Jun. 26, 2007**

(54) **DISTAL PORTION OF HEMOSTATIC FORCEPS FOR ENDOSCOPE**

(75) Inventor: **Hiro Yoshi Watanabe**, Tokyo (JP)

(73) Assignee: **Olympus Corporation**, Tokyo (JP)

(**) Term: **14 Years**

(21) Appl. No.: **29/199,013**

(22) Filed: **Feb. 6, 2004**

(30) **Foreign Application Priority Data**

Aug. 8, 2003 (JP) 2003-290285

(51) **LOC (8) Cl.** **24-02**

(52) **U.S. Cl.** **D24/143; D24/147**

(58) **Field of Classification Search** D24/138,
D24/143, 144, 133, 145, 147, 146; 606/205,
606/49-52, 207, 101

See application file for complete search history.

(56) **References Cited**

U.S. PATENT DOCUMENTS

D248,664 S *	7/1978	Takahashi	D24/138
D269,904 S *	7/1983	Shimonaka	D24/138
5,373,854 A *	12/1994	Kolozsi	600/562
5,394,885 A *	3/1995	Francese	600/564
6,063,103 A *	5/2000	Hashiguchi	606/205
6,129,683 A *	10/2000	Sutton et al.	600/564
6,425,896 B1 *	7/2002	Baltschun et al.	606/51
6,709,445 B2 *	3/2004	Boebel et al.	606/207
6,960,210 B2 *	11/2005	Lands et al.	606/50
6,964,662 B2 *	11/2005	Kidooka	606/52
6,969,389 B2 *	11/2005	Kidooka	606/51

2002/0165580 A1 * 11/2002 Zwiefel et al. 606/205

* cited by examiner

Primary Examiner—Ian Simmons

Assistant Examiner—Christopher Lee

(74) *Attorney, Agent, or Firm*—Scully, Scott, Murphy & Presser, P.C.

(57) **CLAIM**

The ornamental design for a distal portion of hemostatic forceps for endoscope, as shown and described.

DESCRIPTION

FIG. 1 is a perspective view of the distal portion of hemostatic forceps for endoscope;

FIG. 2 is a top plan view thereof; the bottom plan view being identical thereto;

FIG. 3 is a front plan view thereof; the rear view being symmetrical thereto;

FIG. 4 is a left side view thereof;

FIG. 5 is a front view with the distal portion of hemostatic forceps slightly opened; the rear view being symmetrical thereto;

FIG. 6 is a left side view with the distal portion of hemostatic forceps slightly opened;

FIG. 7 is a top plan view with the distal portion of hemostatic forceps wide opened; the bottom plan view being identical thereto;

FIG. 8 is a front view with the distal portion of hemostatic forceps wide opened; the rear view being symmetrical thereto; and,

FIG. 9 is a left side view with the distal portion of hemostatic forceps wide opened.

The broken line showing is for illustrative purposes only and forms no part of the claimed design.

1 Claim, 4 Drawing Sheets

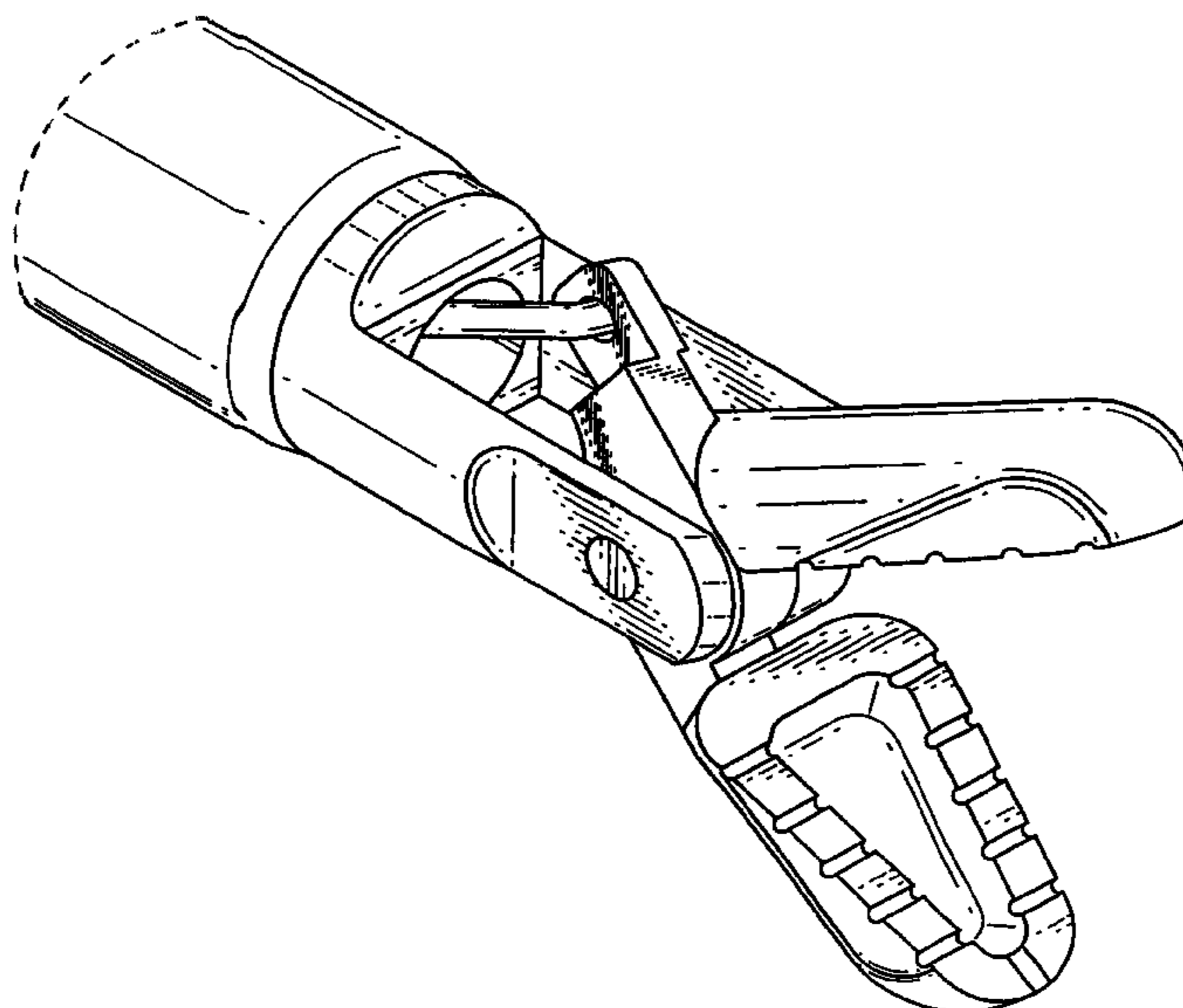


FIG. 1

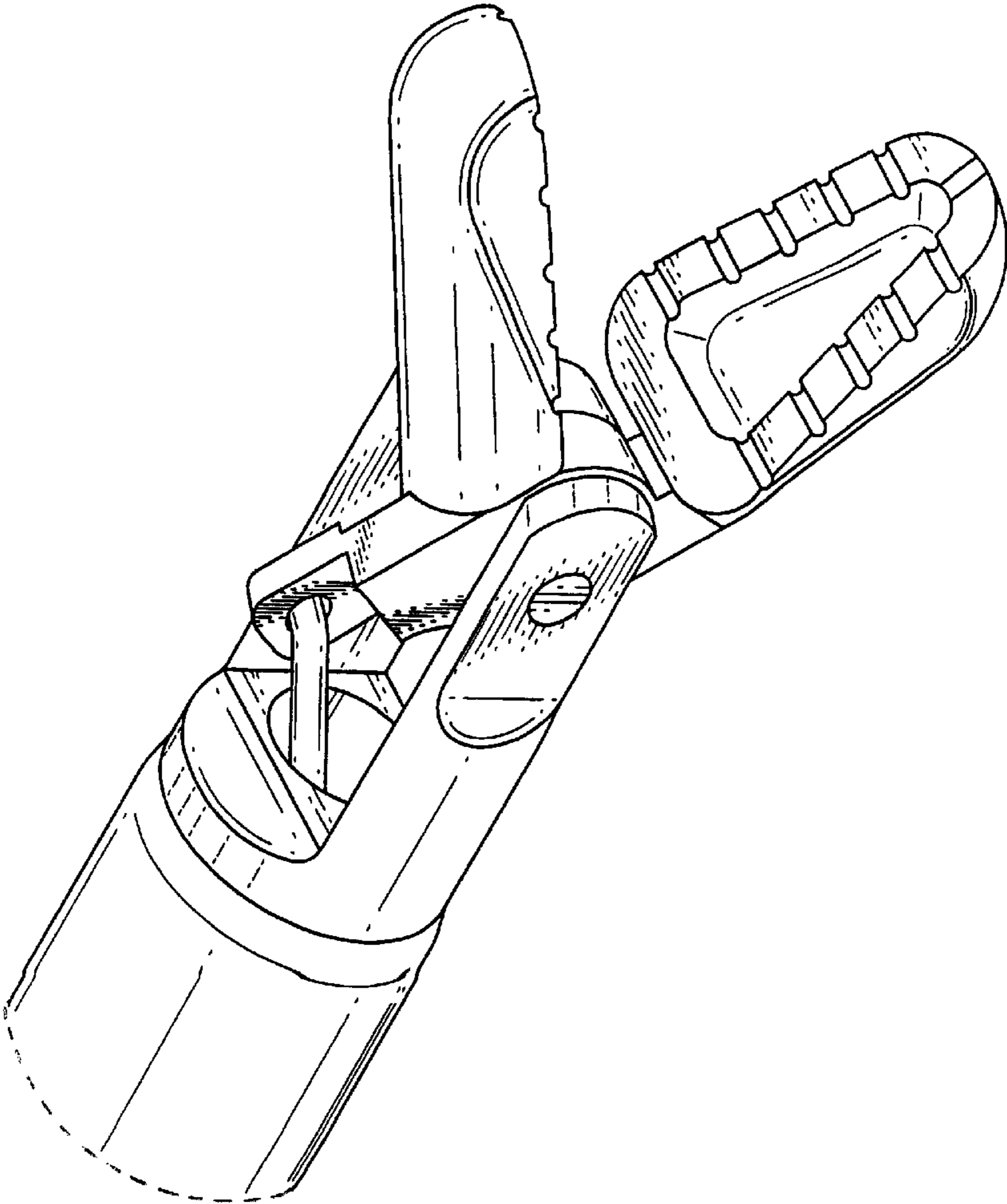


Fig. 2

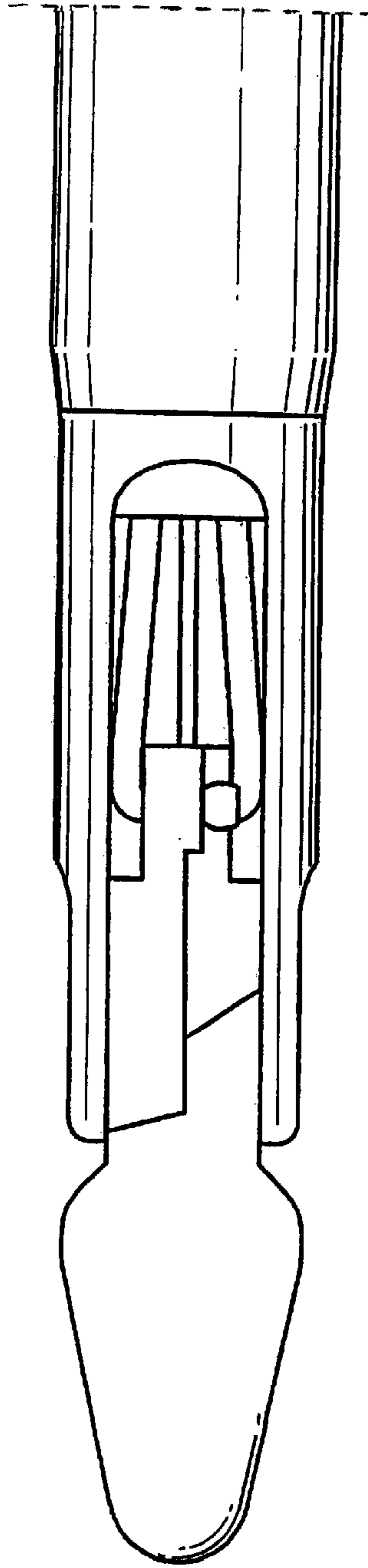


Fig. 3

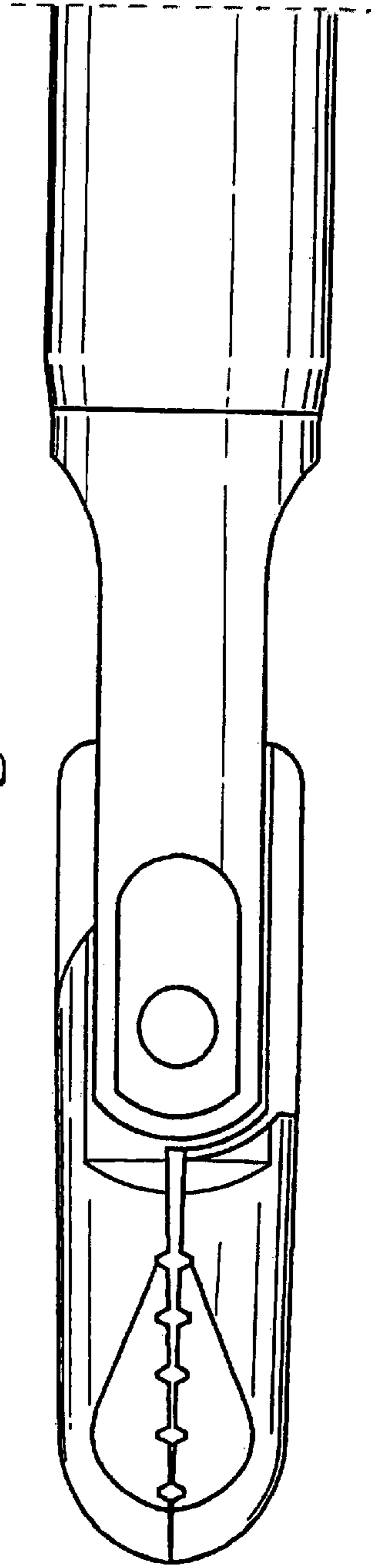


Fig. 4

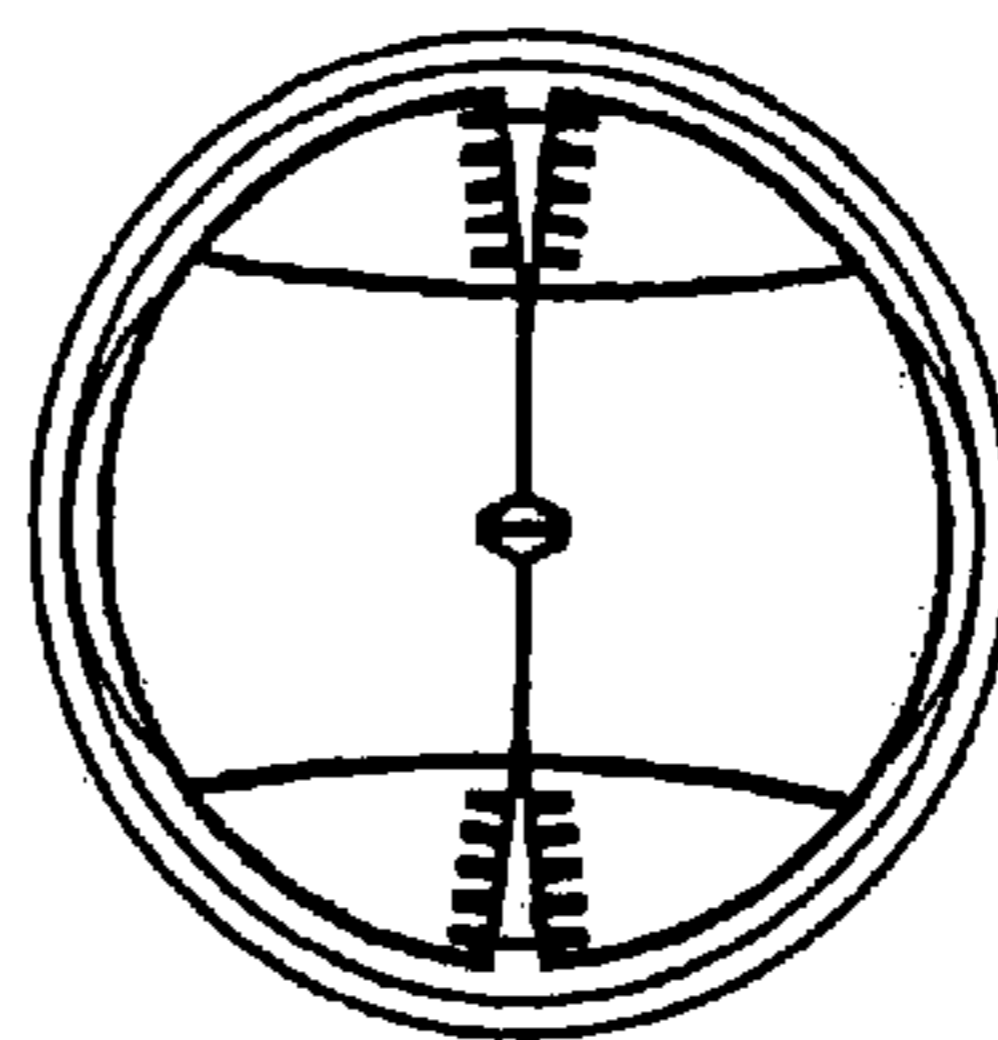


Fig. 5

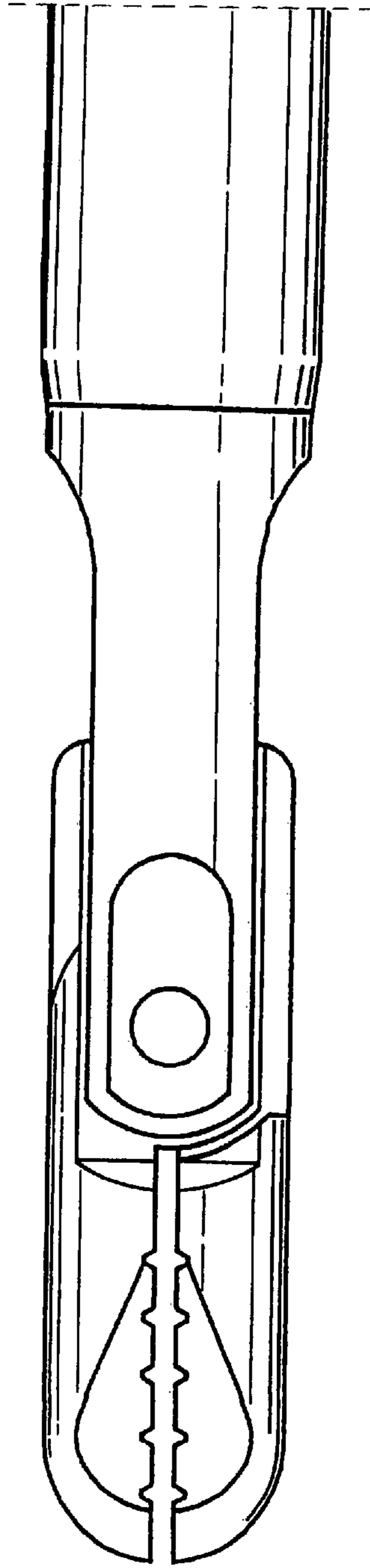


Fig. 6

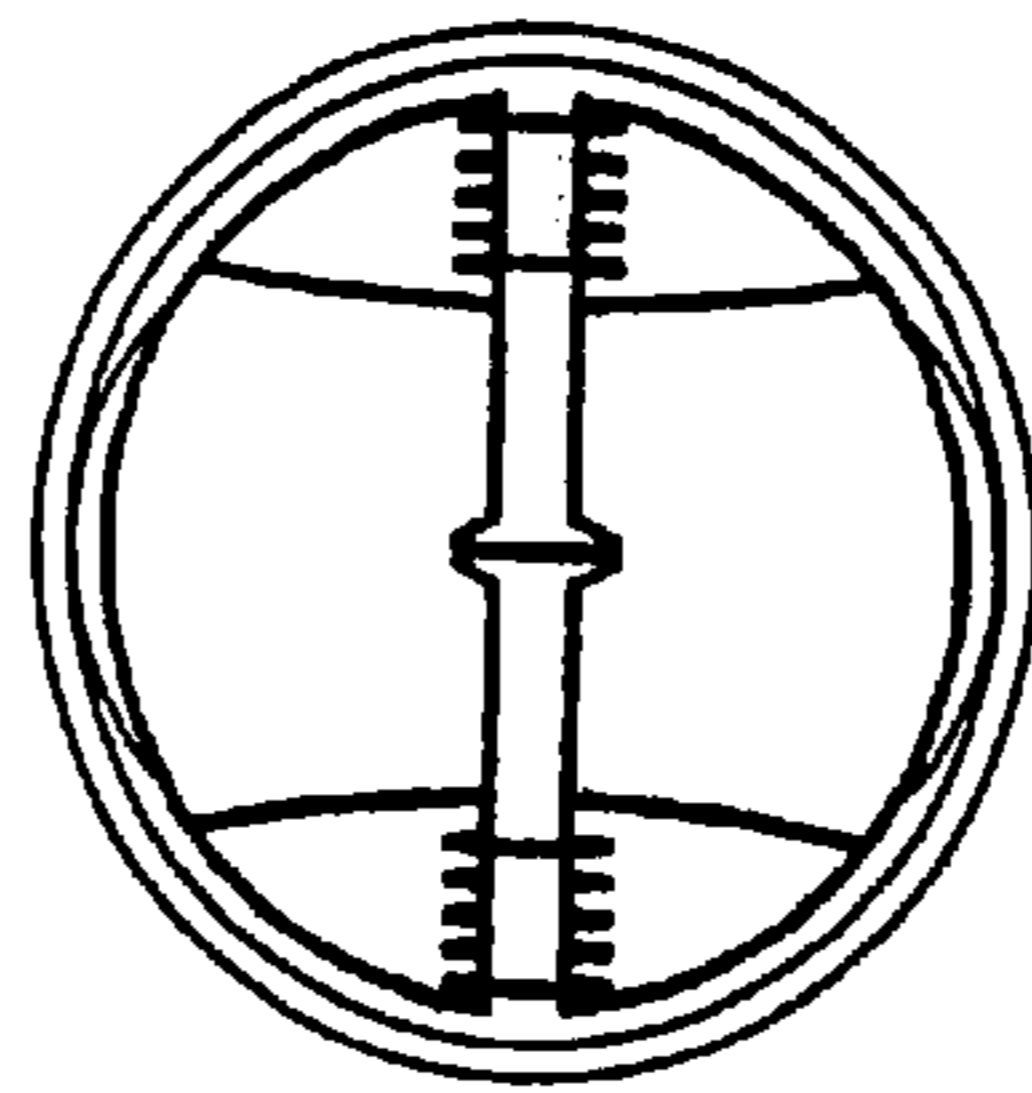


Fig. 7

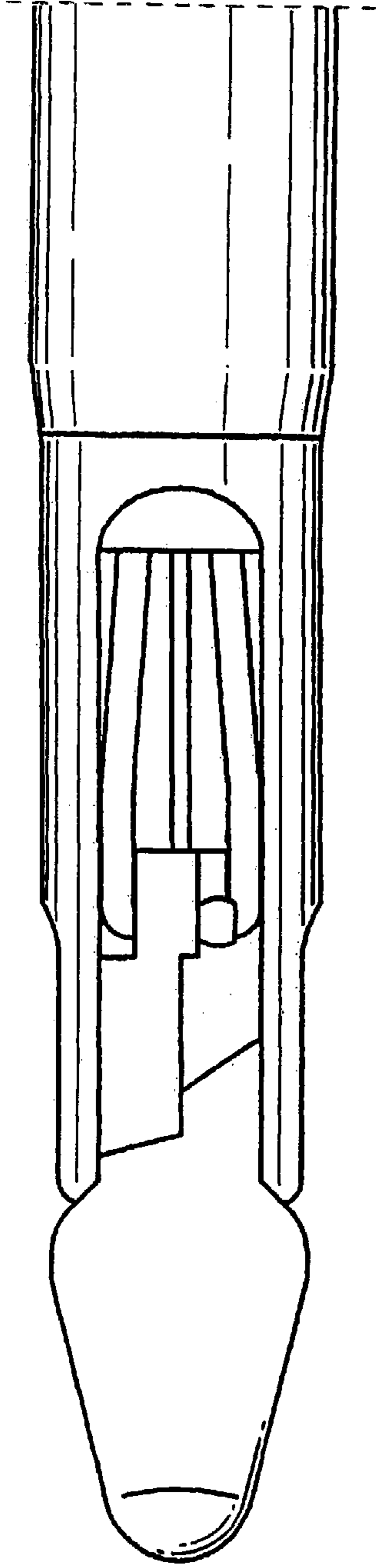


Fig. 8

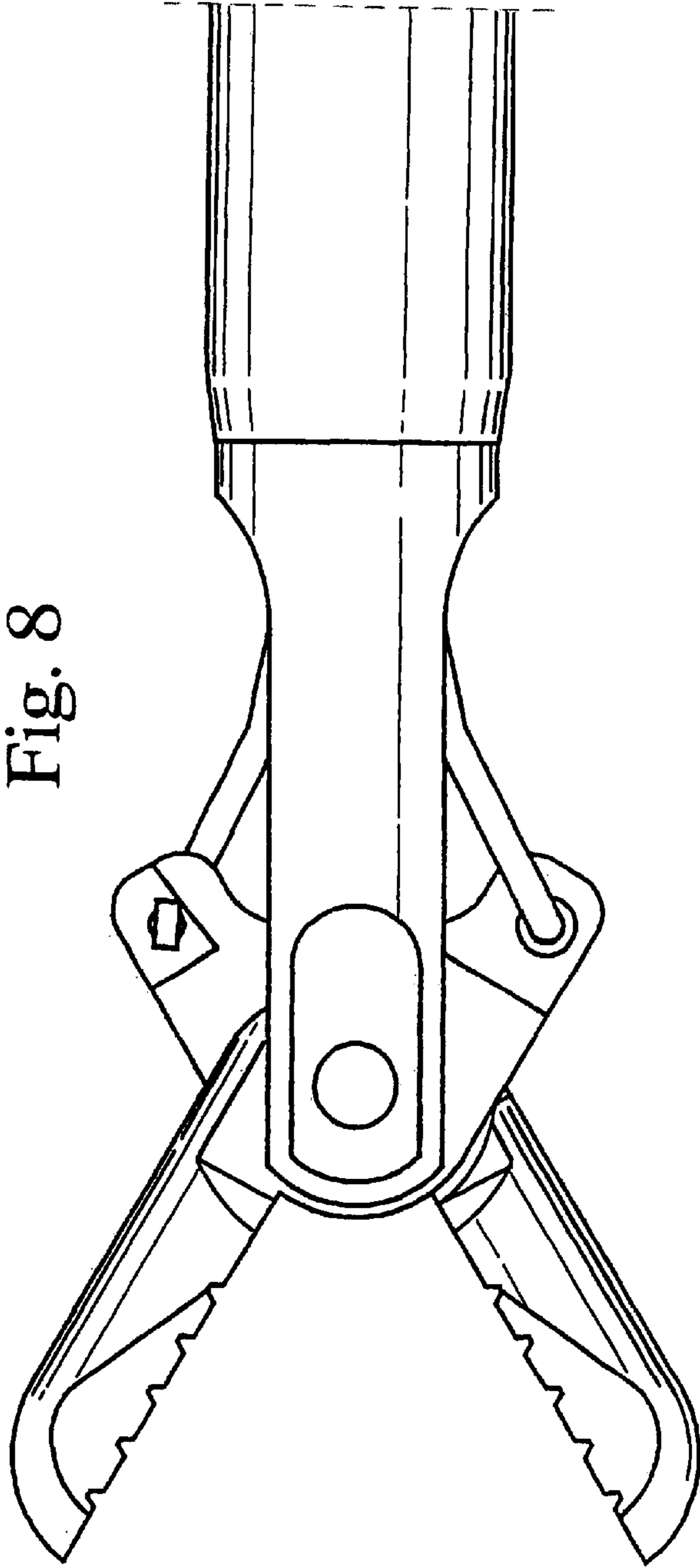


Fig. 9

