



US00D545429S

(12) **United States Design Patent**
Hays

(10) **Patent No.:** **US D545,429 S**

(45) **Date of Patent:** **** Jun. 26, 2007**

(54) **CALIBRATED MEDICINE DISPENSING APPARATUS**

(76) **Inventor:** **Janet C. Hays**, 14220 Jicarilla Rd.,
Apple Valley, CA (US) 92307

(**) **Term:** **14 Years**

(21) **Appl. No.:** **29/217,113**

(22) **Filed:** **Nov. 15, 2004**

(51) **LOC (8) Cl.** **24-02**

(52) **U.S. Cl.** **D24/114**

(58) **Field of Classification Search** D24/112-114,
D24/146; 604/211, 218, 207, 208, 209, 506,
604/185, 198, 132, 134-137, 187, 214, 228,
604/220, 519, 15, 210, 73; 206/438, 364
See application file for complete search history.

(56) **References Cited**

U.S. PATENT DOCUMENTS

2,571,653	A *	10/1951	Bastien	604/198
3,780,735	A	12/1973	Crouter et al.		
3,921,864	A	11/1975	Dawes		
4,346,708	A	8/1982	LeVeen et al.		
5,010,656	A	4/1991	Broselow		
5,154,698	A *	10/1992	Compagnucci et al.	604/110
5,242,405	A *	9/1993	Howe	604/125
5,649,911	A *	7/1997	Trerotola	604/164.01
5,843,041	A *	12/1998	Hake et al.	604/198
6,132,416	A	10/2000	Broselow		

6,156,015	A *	12/2000	DeMichele et al.	604/263
6,159,184	A *	12/2000	Perez et al.	604/192
6,221,044	B1 *	4/2001	Greco	604/134
D447,797	S	9/2001	Odell et al.		
6,585,690	B1 *	7/2003	Hoeck et al.	604/110
6,613,024	B1 *	9/2003	Gargione	604/218
6,719,730	B2 *	4/2004	Jansen et al.	604/192
2003/0195477	A1 *	10/2003	Ruben	604/221

* cited by examiner

Primary Examiner—Louis Zarfaz

Assistant Examiner—David Muller

(57) **CLAIM**

The ornamental design for a calibrated medicine dispensing apparatus, as shown and described.

DESCRIPTION

FIG. 1 is a front elevational view of a calibrated medicine dispensing apparatus showing my new design;

FIG. 2 is a rear elevational view thereof;

FIG. 3 is a left side elevational view thereof;

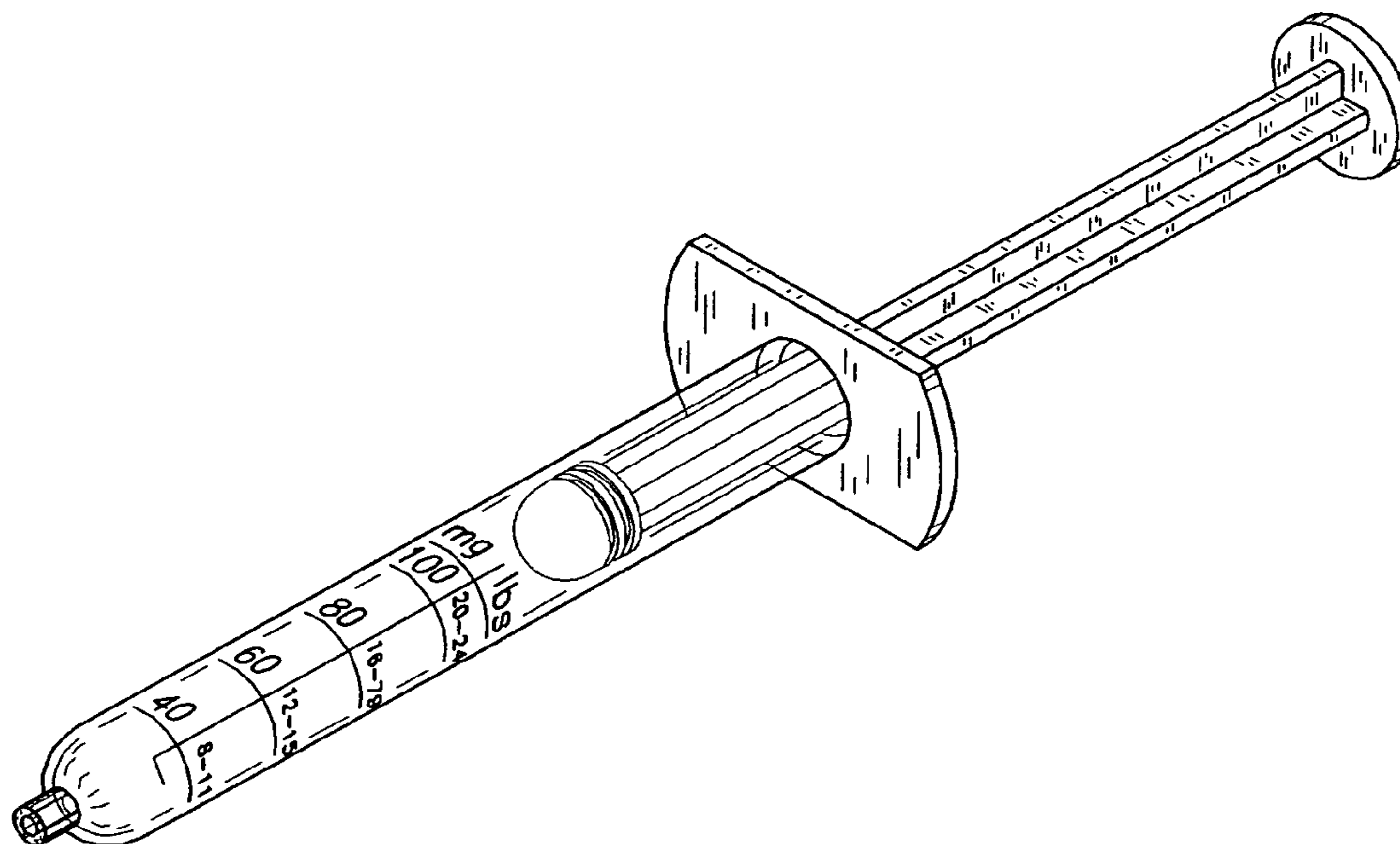
FIG. 4 is a right side elevational view thereof;

FIG. 5 is a top plan view thereof;

FIG. 6 is a bottom plan view thereof; and,

FIG. 7 is a perspective view thereof.

1 Claim, 3 Drawing Sheets



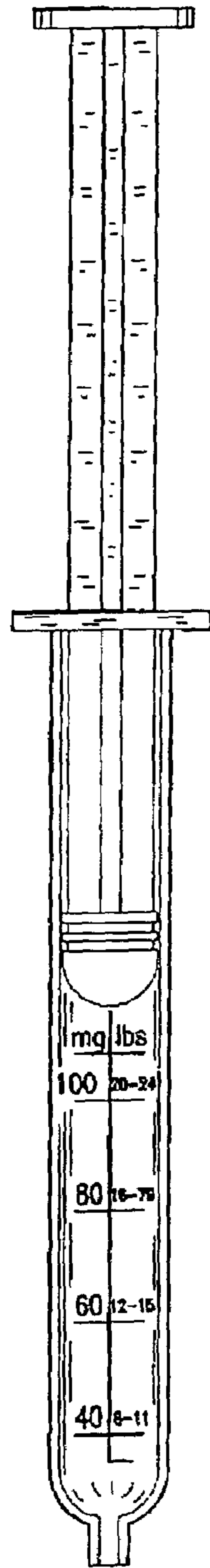


FIG. 1

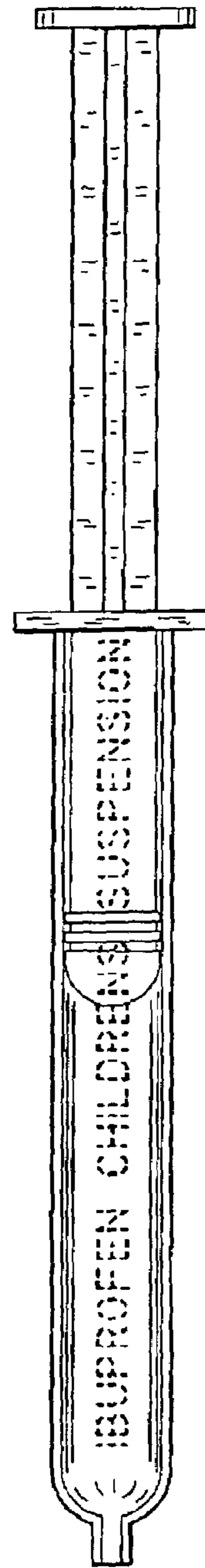


FIG. 2

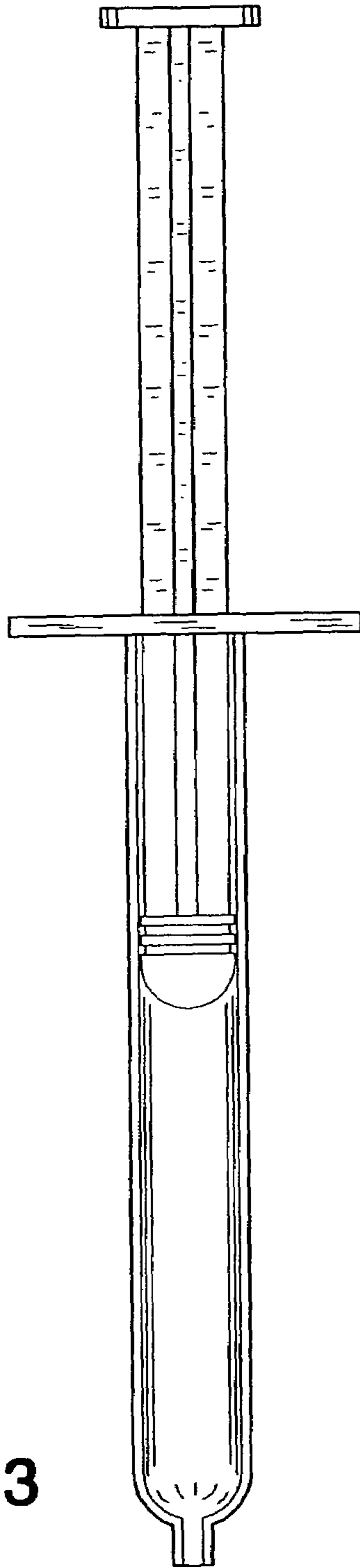


FIG. 3

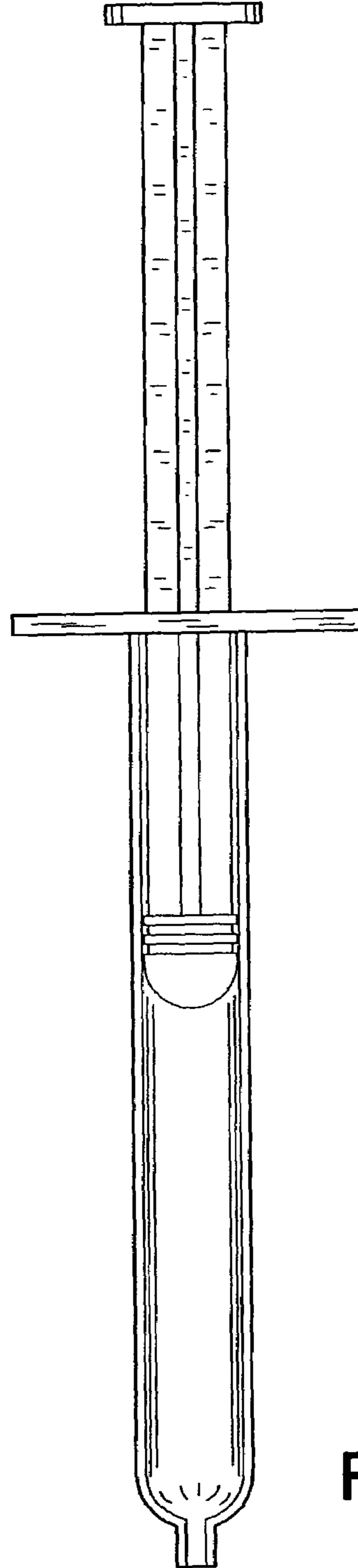


FIG. 4

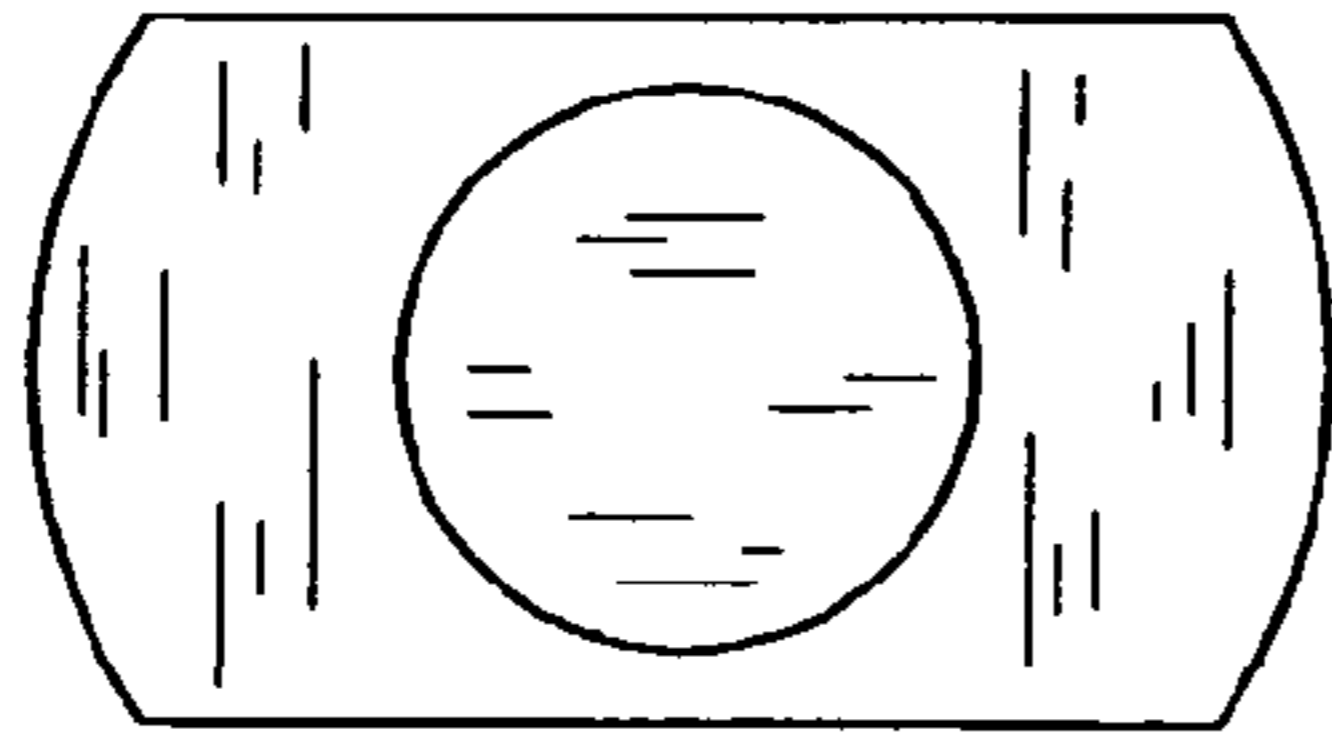


FIG. 5

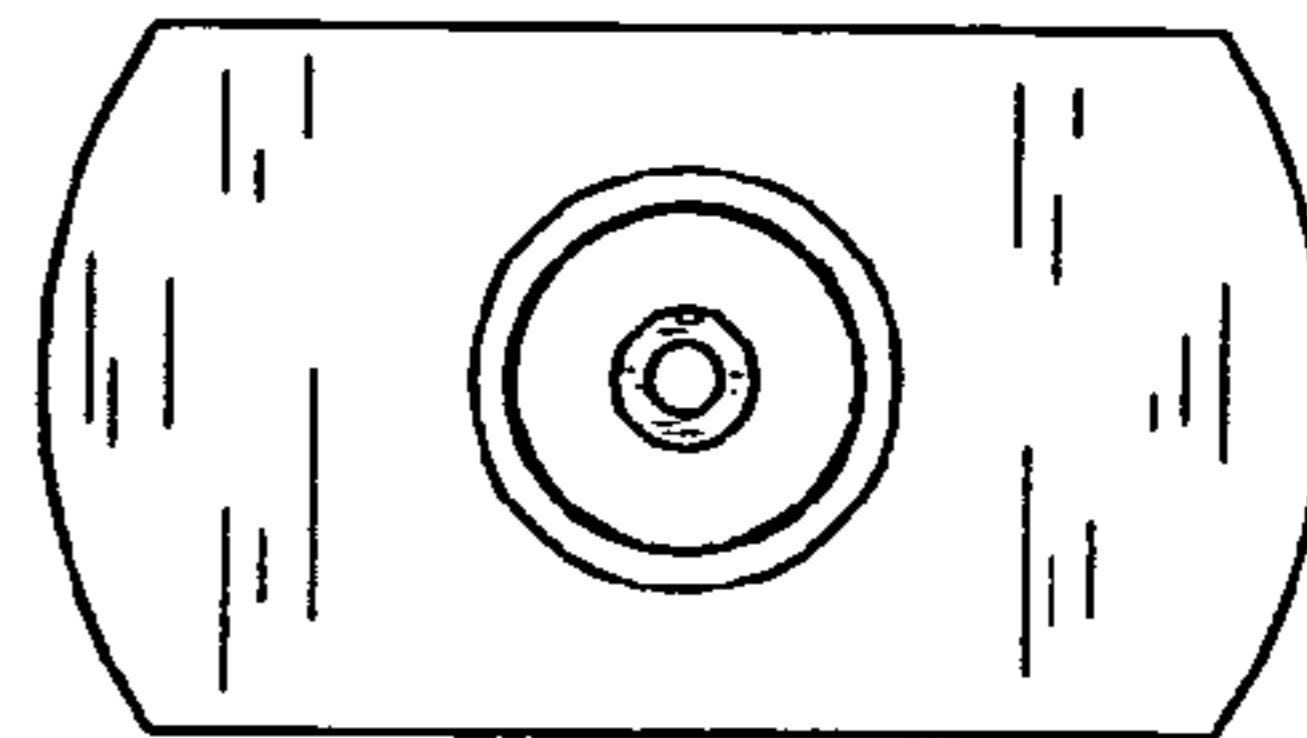


FIG. 6

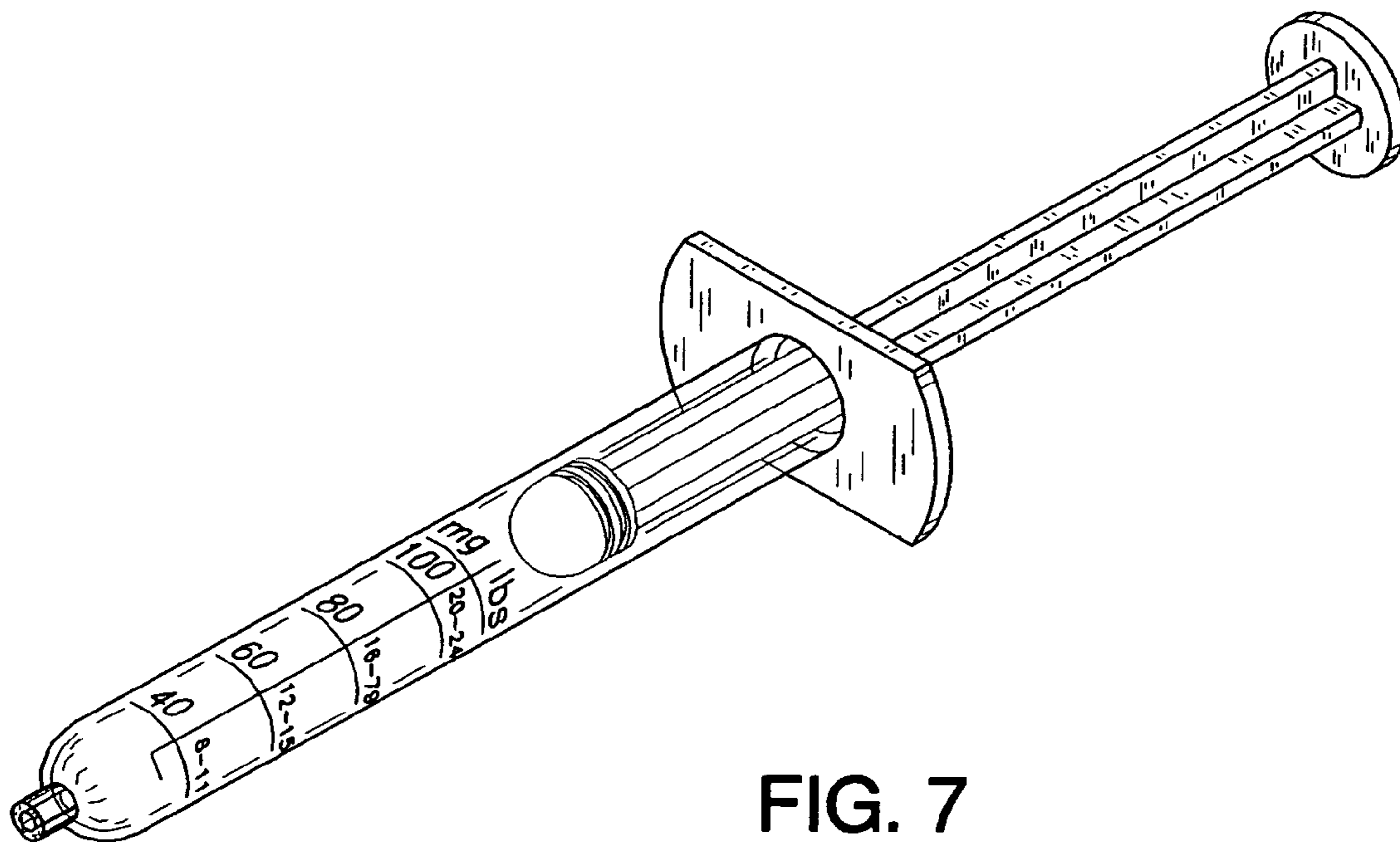


FIG. 7