



US00D545428S

(12) **United States Design Patent** (10) **Patent No.:** **US D545,428 S**
Stammlberger et al. (45) **Date of Patent:** **** Jun. 26, 2007**

(54) **HANDLE FOR A MEDICAL INSTRUMENT**

2006/0052790 A1* 3/2006 Miller 606/80

(75) Inventors: **Heinz Stammlberger**, Graz (AT); **Paolo Castelnovo**, San Donato Milano (IT)

OTHER PUBLICATIONS

(73) Assignee: **Karl Storz GmbH & Co. KG** (DE)

Medquest Communications, Inc. "Ear Nose & Throat Journal" Jan. 1996; vol. 75 No. 1; 5 pages.
TreBay Medical Corporation "Stop Clogging in your sinus cases" 1994; 4 pages.
Storz Advertising—Storz The World of Endoscopy—Endoscopes and Instruments for ENT 7th edition; Jan. 2004; 4 pages.
Medtronic Xomed "XPS 3000 Powered ENT System" Sep. 2004 4 pages.

(**) Term: **14 Years**

* cited by examiner

(21) Appl. No.: **29/259,154**

(22) Filed: **May 3, 2006**

(30) **Foreign Application Priority Data**

Primary Examiner—Louis Zarfaz
Assistant Examiner—David Muller
(74) *Attorney, Agent, or Firm*—St. Onge Steward Johnston & Reens LLC

Apr. 18, 2006 (EM) 000514013

(51) **LOC (8) Cl.** **24-02**

(52) **U.S. Cl.** **D24/113**

(58) **Field of Classification Search** D24/114,
D24/112, 133, 113, 186, 130, 146, 104; 606/181,
606/185, 92, 94; 604/232, 187, 506; D8/107,
D8/68.2; D23/226, 213; 239/394, 525–528
See application file for complete search history.

(57) **CLAIM**

The ornamental design for handle for a medical instrument, as shown and described.

(56) **References Cited**

DESCRIPTION

U.S. PATENT DOCUMENTS

FIG. 1 is perspective view of a handle for a medical instrument in accordance with the new design;

FIG. 2 is a left-side view thereof;

FIG. 3 is a front view thereof;

FIG. 4 is a top view thereof;

FIG. 5 is a bottom view thereof;

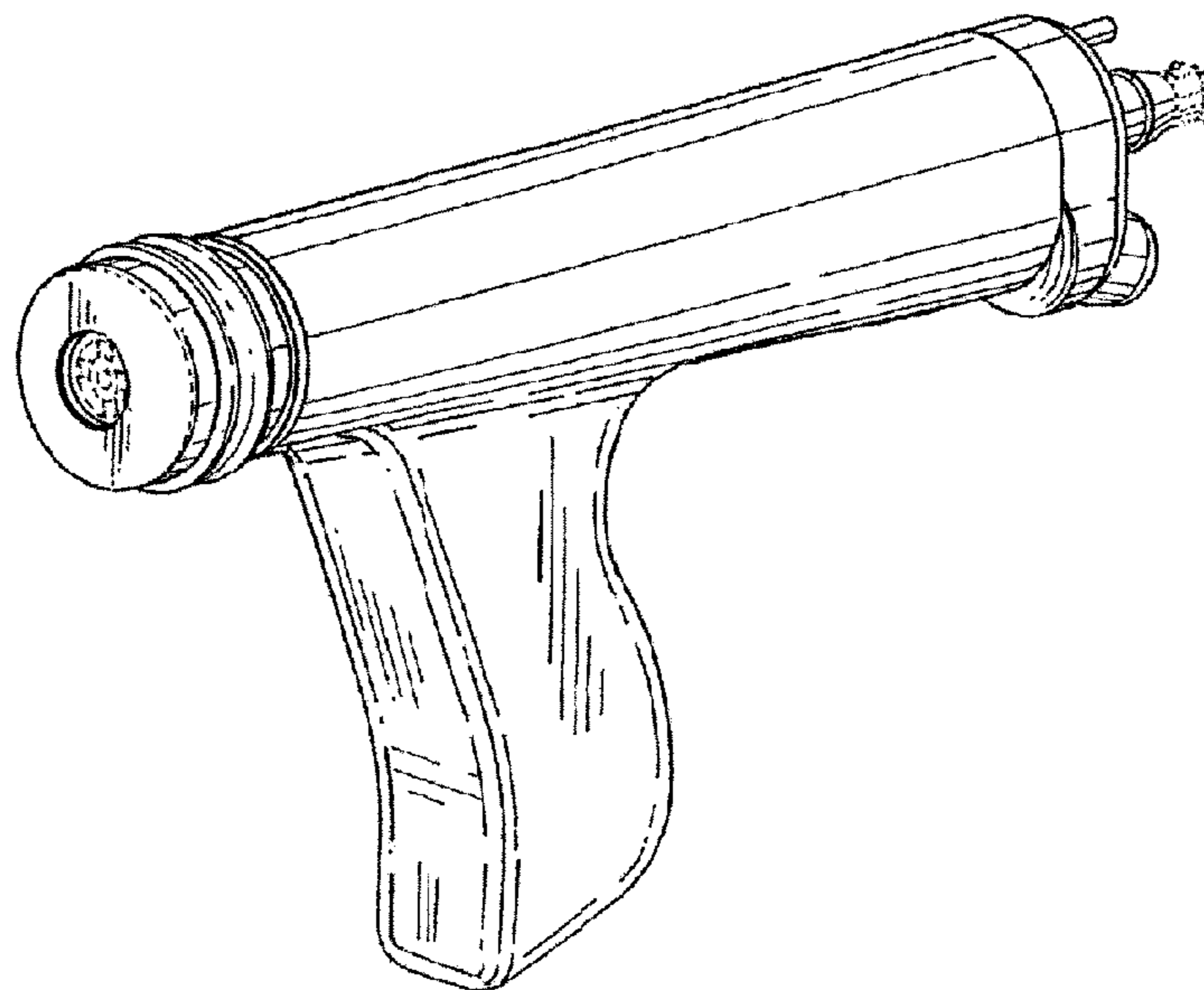
FIG. 6 is a right-side view thereof; and,

FIG. 7 is a rear view thereof.

The broken line showing of parts of the drawings is included for the purpose of illustrating use and environment and forms no part of the claimed design.

- D227,652 S * 7/1973 Linthicum D8/68
- D299,411 S * 1/1989 Porcaro D8/68
- 4,966,601 A * 10/1990 Draenert 606/92
- D329,092 S * 9/1992 Carusillo et al. D24/146
- D402,000 S * 12/1998 Goodin D23/226
- D408,249 S * 4/1999 Fallandy D8/68
- 5,911,729 A * 6/1999 Shikhman et al. 606/181
- D419,844 S * 2/2000 McCombs D8/68
- 6,036,681 A * 3/2000 Hooven 604/506
- D478,986 S * 8/2003 Johnston et al. D24/133
- 6,644,625 B1 * 11/2003 Jacobs et al. 251/209
- 2005/0261693 A1 * 11/2005 Miller et al. 606/80

1 Claim, 3 Drawing Sheets



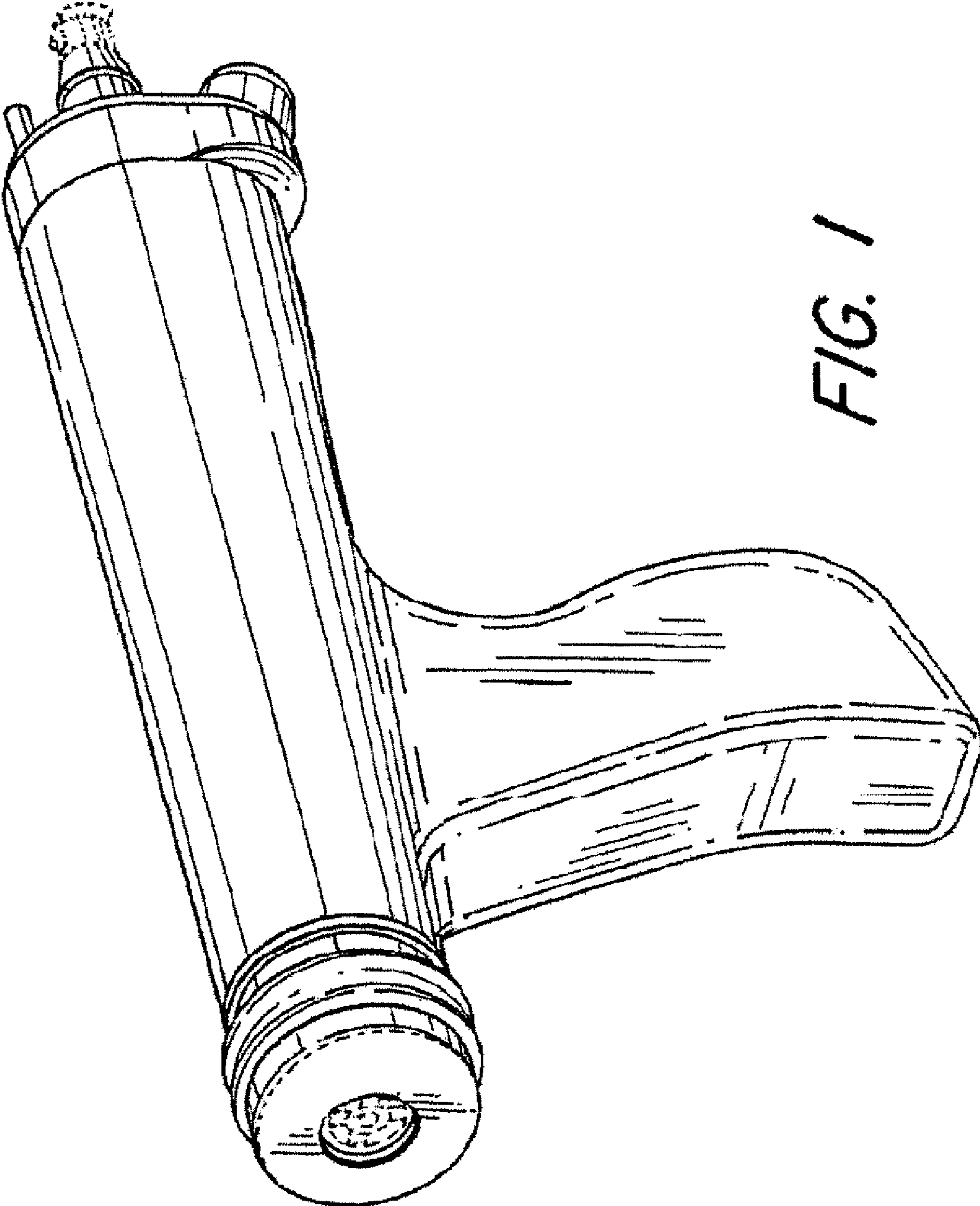


FIG. 1

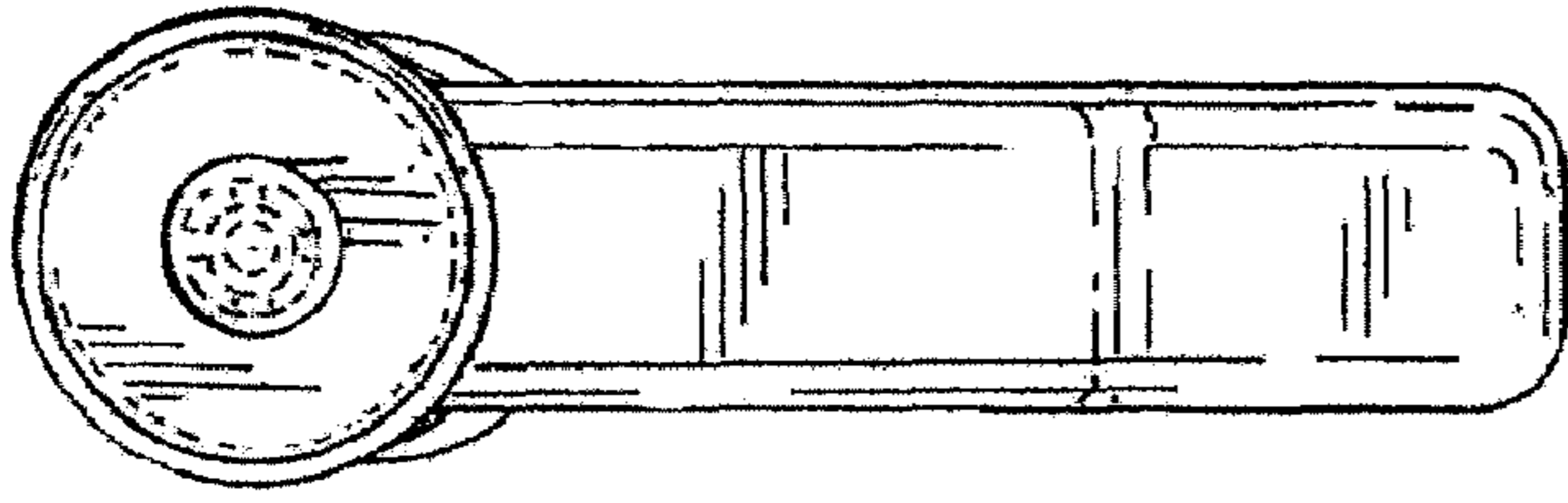


FIG. 3

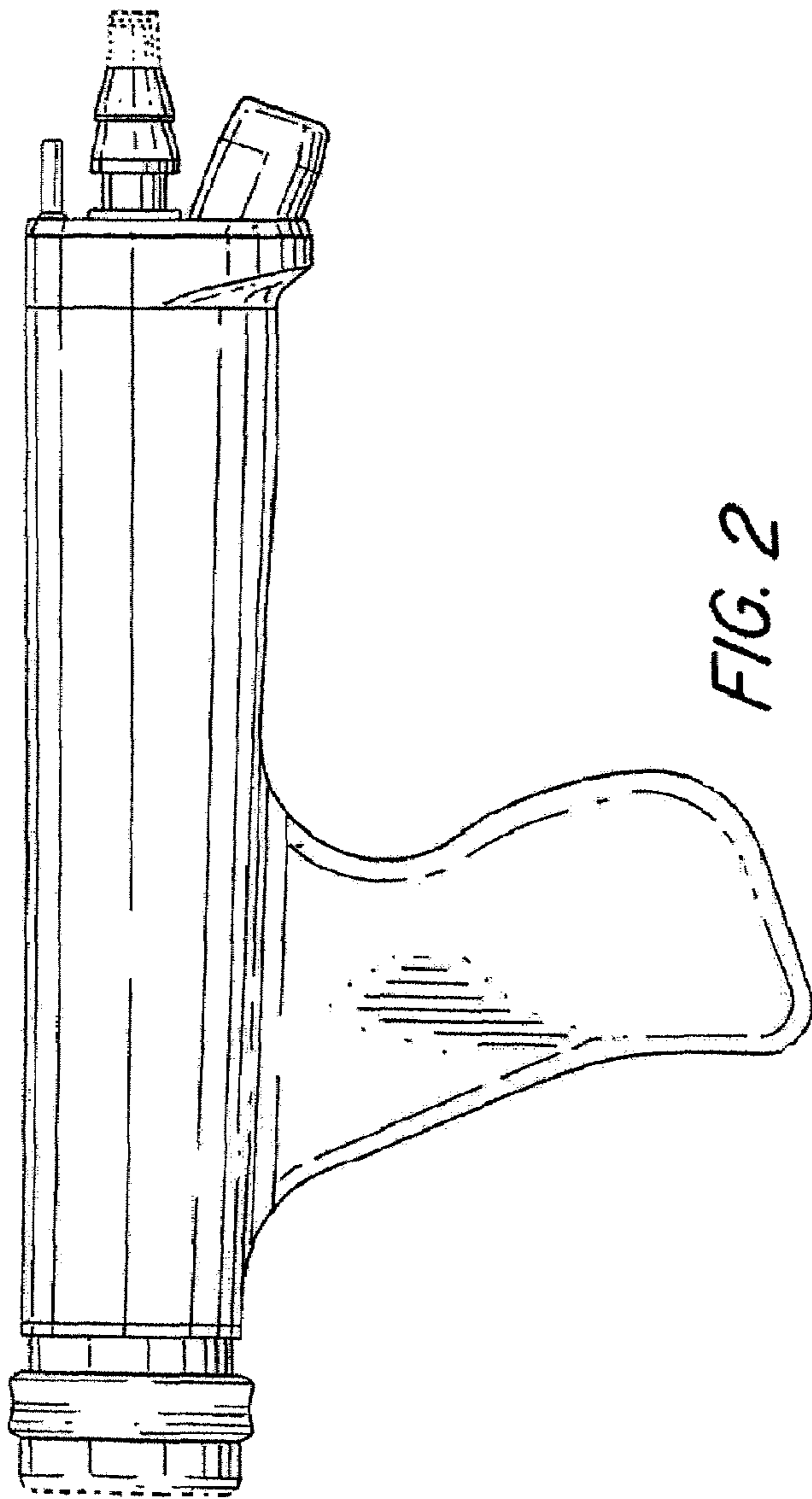


FIG. 2

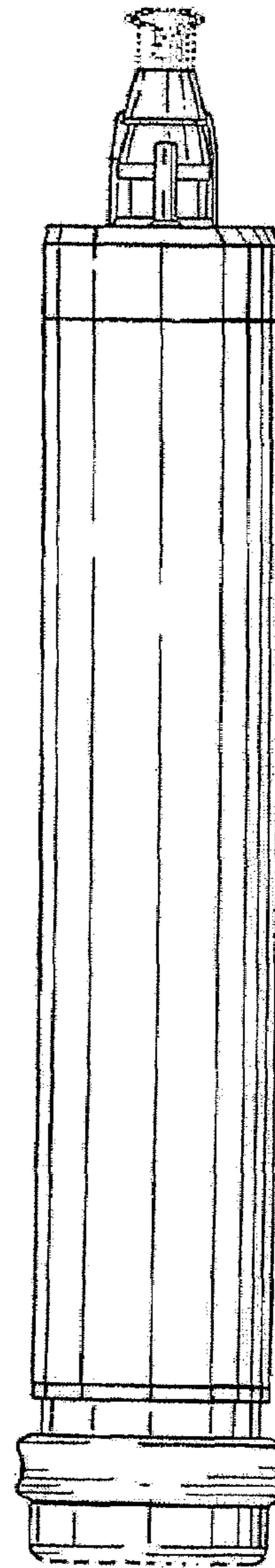


FIG. 4

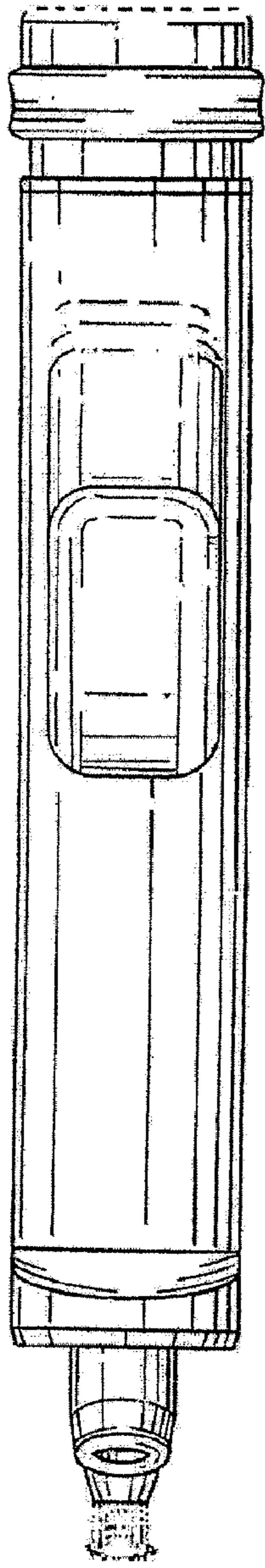


FIG. 5

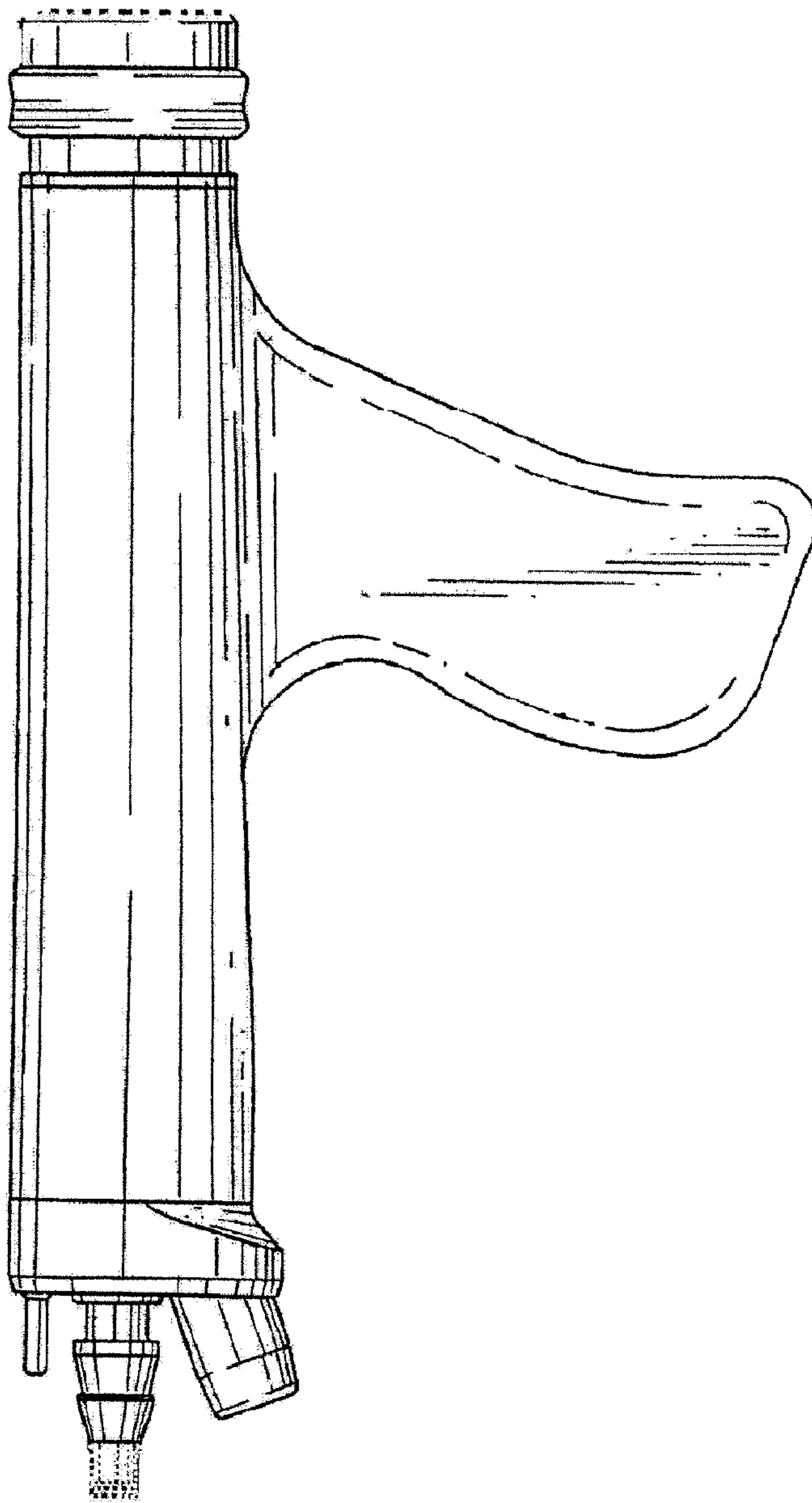


FIG. 6

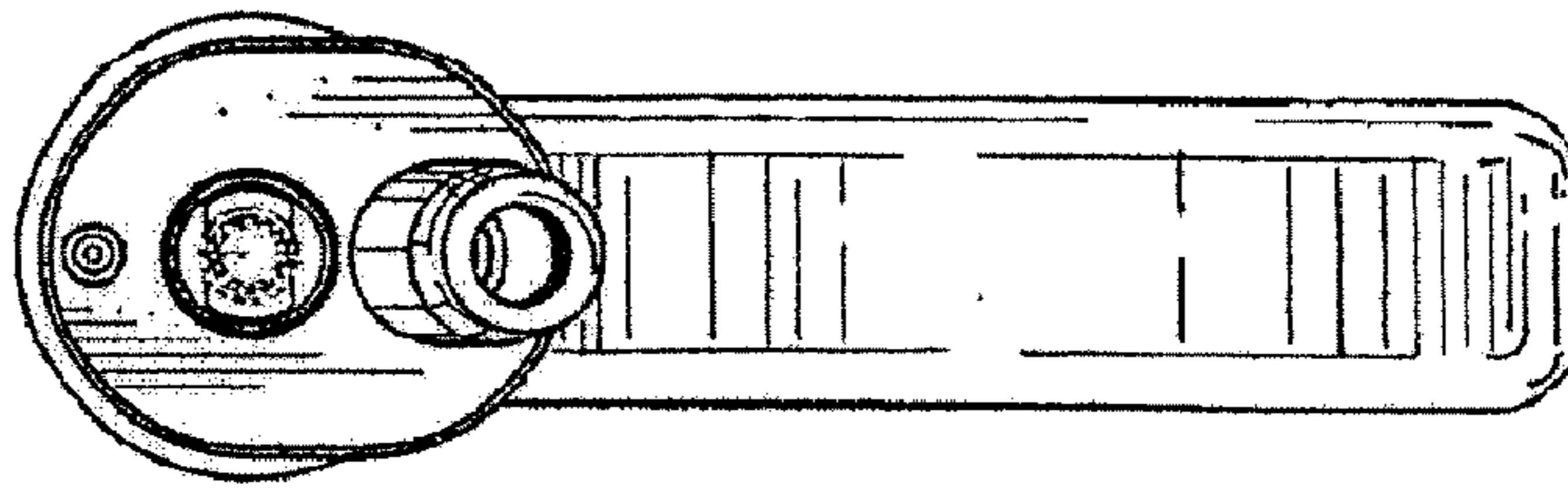


FIG. 7