

US00D545427S

(12) **United States Design Patent**
Gibson et al.

(10) **Patent No.:** **US D545,427 S**
(45) **Date of Patent:** **** Jun. 26, 2007**

(54) **HANDLE FOR A MEDICAL INSTRUMENT**

(75) Inventors: **Roger A. Gibson**, Fullerton, CA (US);
Dana J. Landry, Sturbridge, MA (US);
Sascha Berberich, Tuttlingen (DE)

(73) Assignee: **Karl Storz GmbH & Co. KG** (DE)

(**) Term: **14 Years**

(21) Appl. No.: **29/257,813**

(22) Filed: **Apr. 11, 2006**

(51) **LOC (8) Cl.** **24-02**

(52) **U.S. Cl.** **D24/113**

(58) **Field of Classification Search** D24/114,
D24/112, 133, 113, 186, 104, 130, 146; 606/181,
606/185, 92, 94, 80; D8/107, 68, 2; 604/232,
604/506, 187; D23/226, 213; 239/394,
239/525-528; 251/204

See application file for complete search history.

(56) **References Cited**

U.S. PATENT DOCUMENTS

D227,652 S *	7/1973	Linthicum	D8/68
D299,411 S *	1/1989	Porcaro	D8/68
4,966,601 A *	10/1990	Draenert	606/92
D329,092 S *	9/1992	Carusillo et al.	D24/146
D402,000 S *	12/1998	Goodin	D23/226
D408,249 S *	4/1999	Fallandy	D8/68
5,911,729 A *	6/1999	Shikhman et al.	606/181
D419,844 S *	2/2000	McCombs	D8/68
6,036,681 A *	3/2000	Hooven	604/506
D478,986 S *	8/2003	Johnston et al.	D24/133

6,644,625 B1 *	11/2003	Jacobs et al.	251/209
2005/0261693 A1 *	11/2005	Miller et al.	606/80
2006/0052790 A1 *	3/2006	Miller	606/80

OTHER PUBLICATIONS

Product Catalog, Storz Die Welt Der Endoskopie, Endoskop Und Instrumente Fuer Hno, Jan. 2004, 3 pages.

Product Catalog, Karl Storz Endoskope, Der Karl Storz Powershaver SL, 4 pages.

* cited by examiner

Primary Examiner—Louis Zarfaz

Assistant Examiner—David Muller

(74) *Attorney, Agent, or Firm*—St. Onge Steward Johnston & Reens LLC

(57) **CLAIM**

The ornamental design for handle for a medical instrument, as shown and described in the drawings.

DESCRIPTION

FIG. 1 is a front perspective view of a handle for a medical instrument in accordance with the new design;

FIG. 2 is a left side view thereof;

FIG. 3 is a right side view thereof;

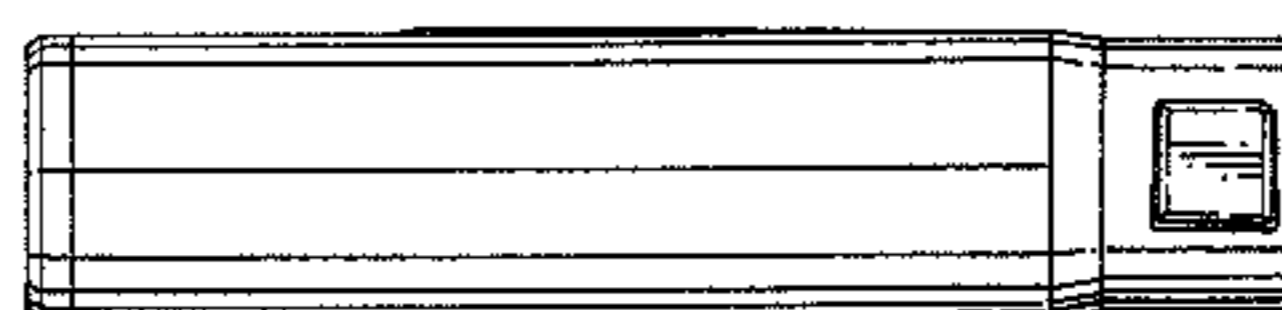
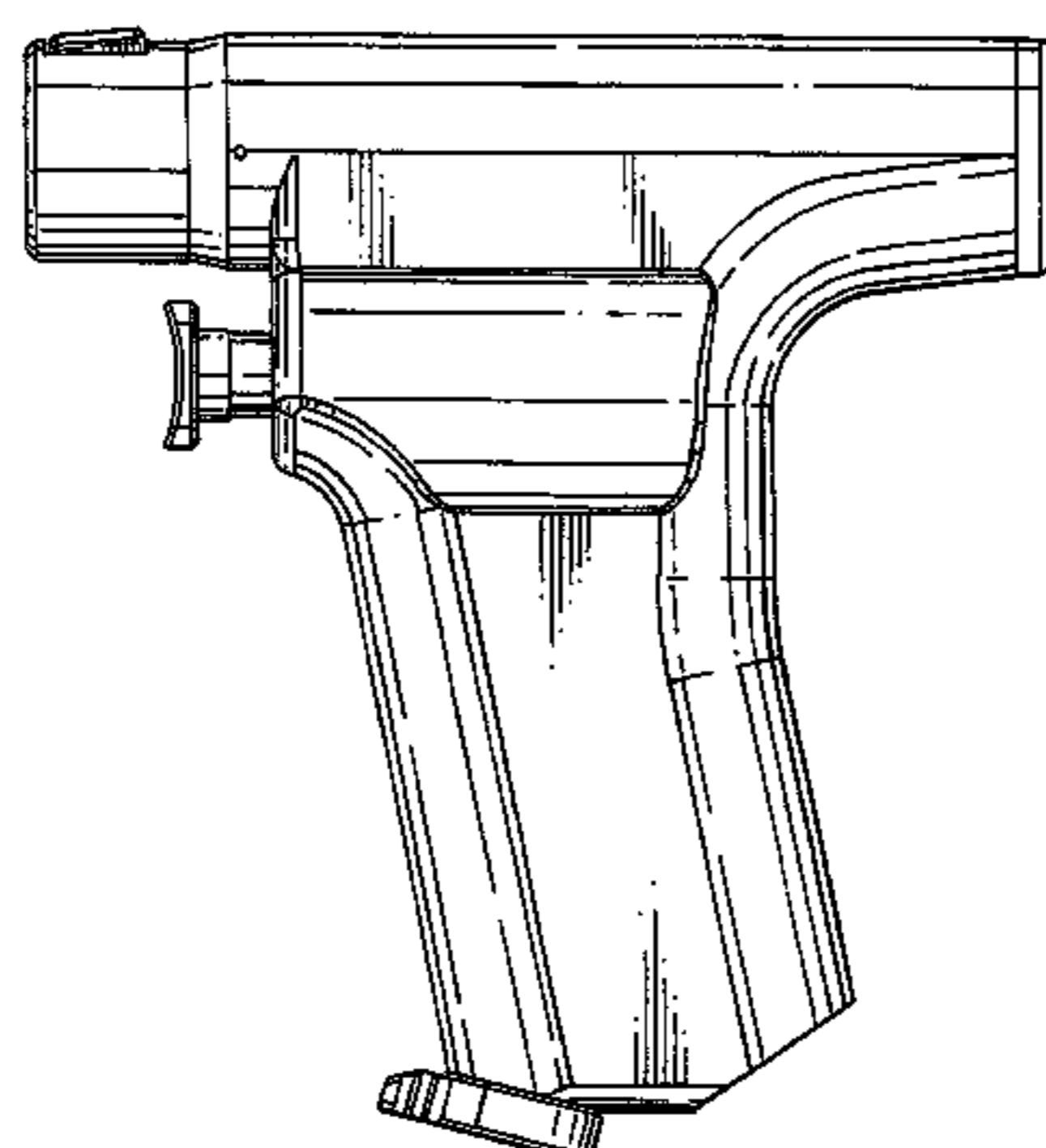
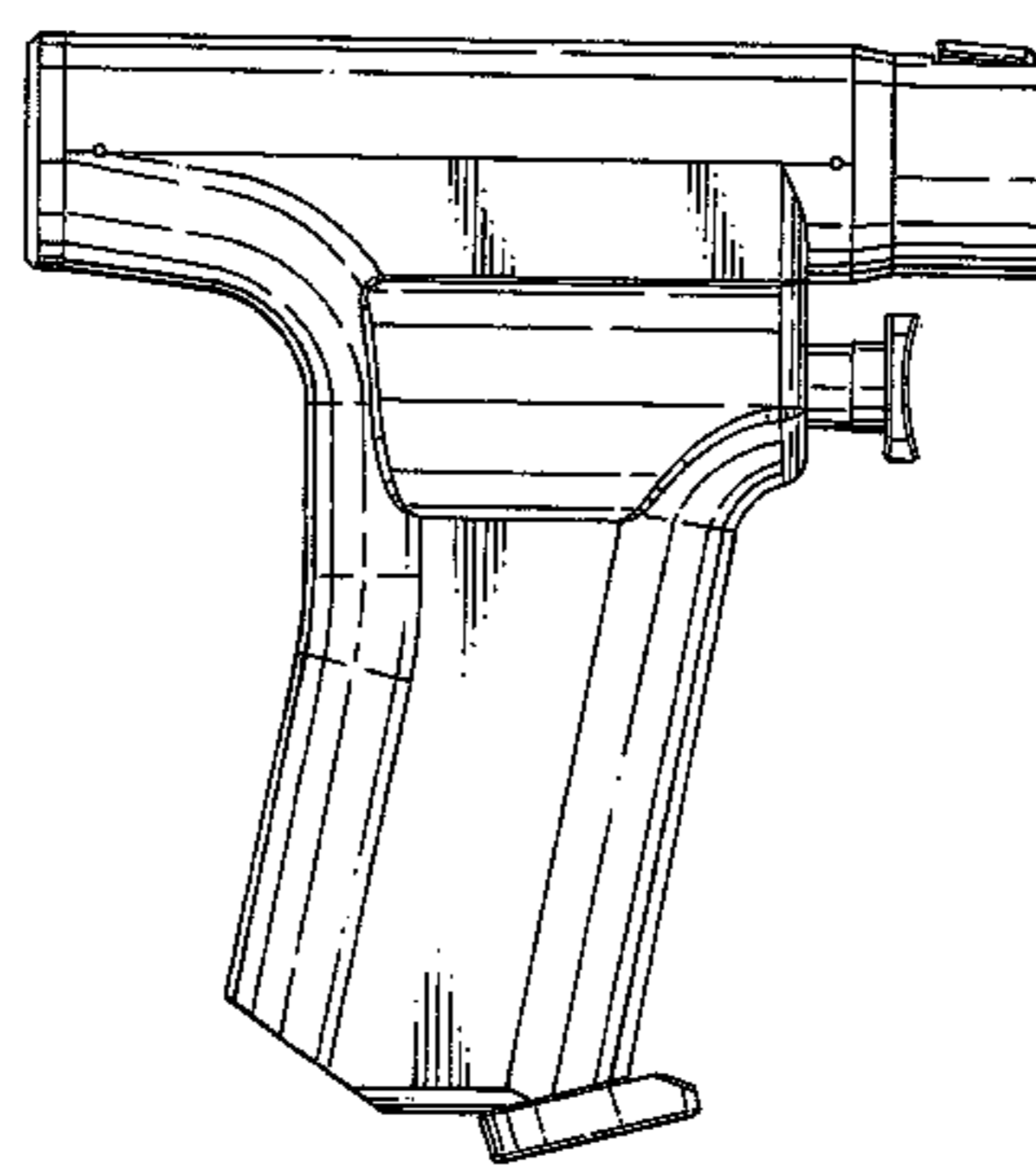
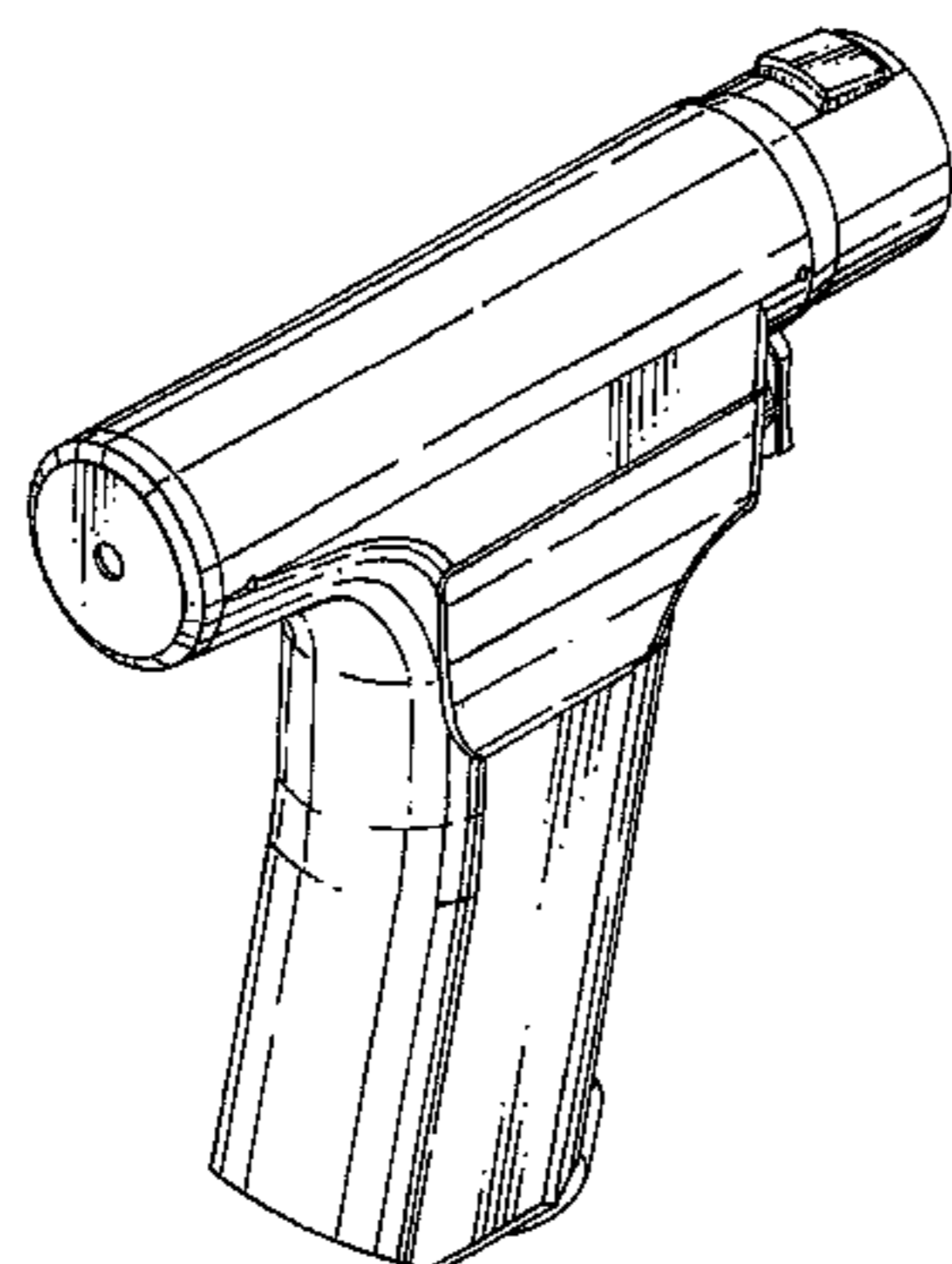
FIG. 4 is a top view thereof;

FIG. 5 is a bottom view thereof;

FIG. 6 is a front view thereof; and,

FIG. 7 is a rear view thereof.

1 Claim, 5 Drawing Sheets



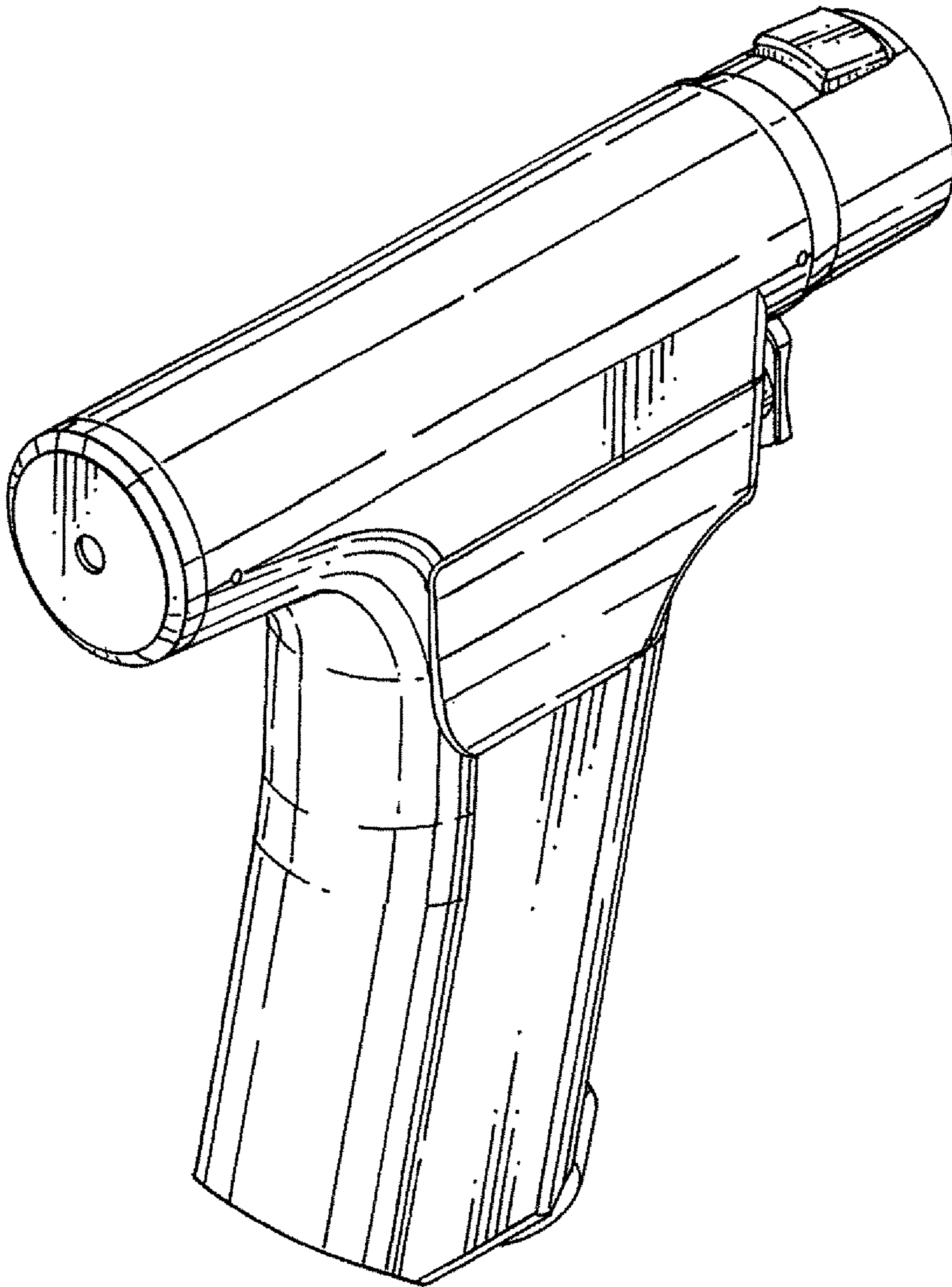


FIG. 1

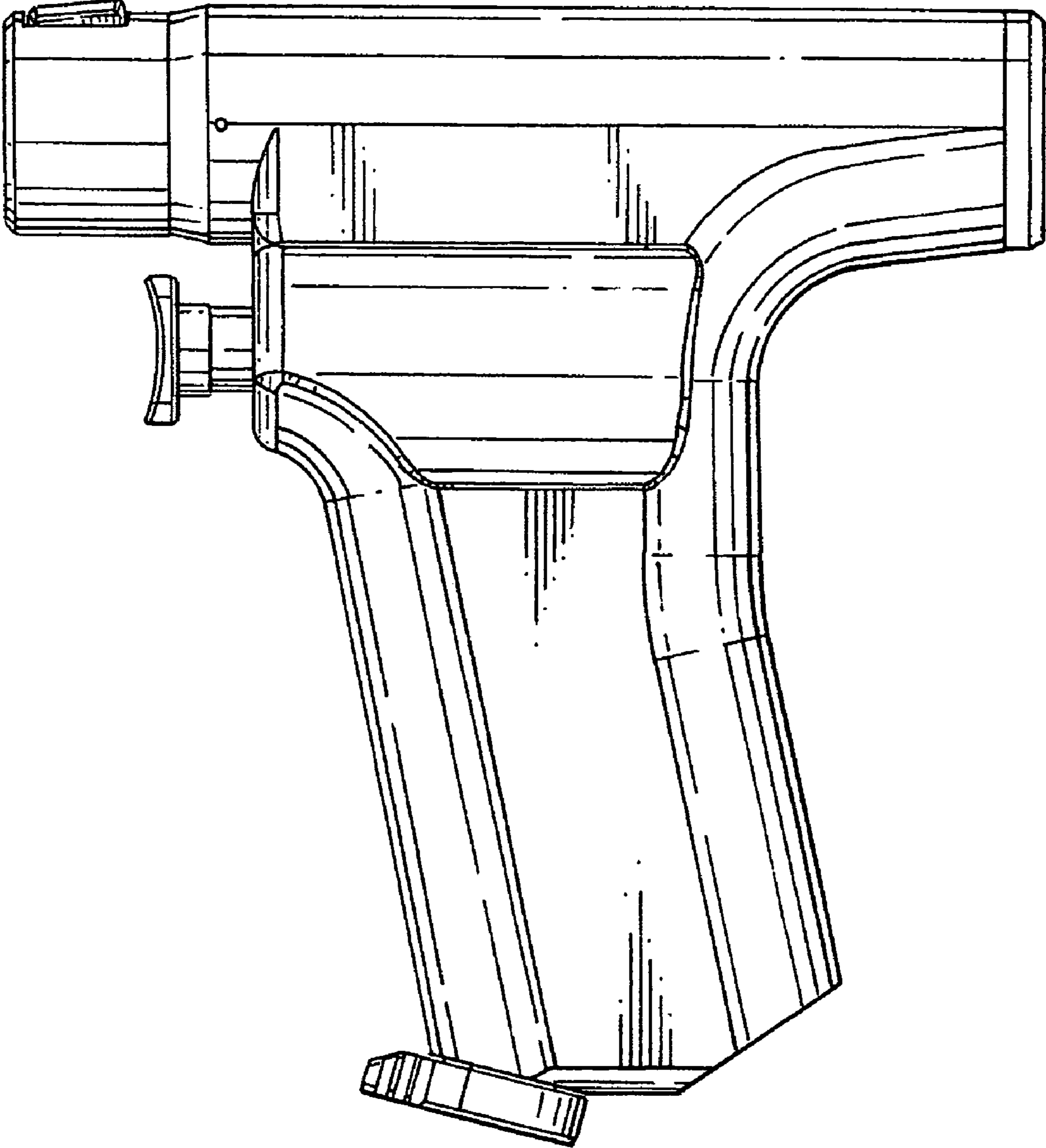


FIG. 2

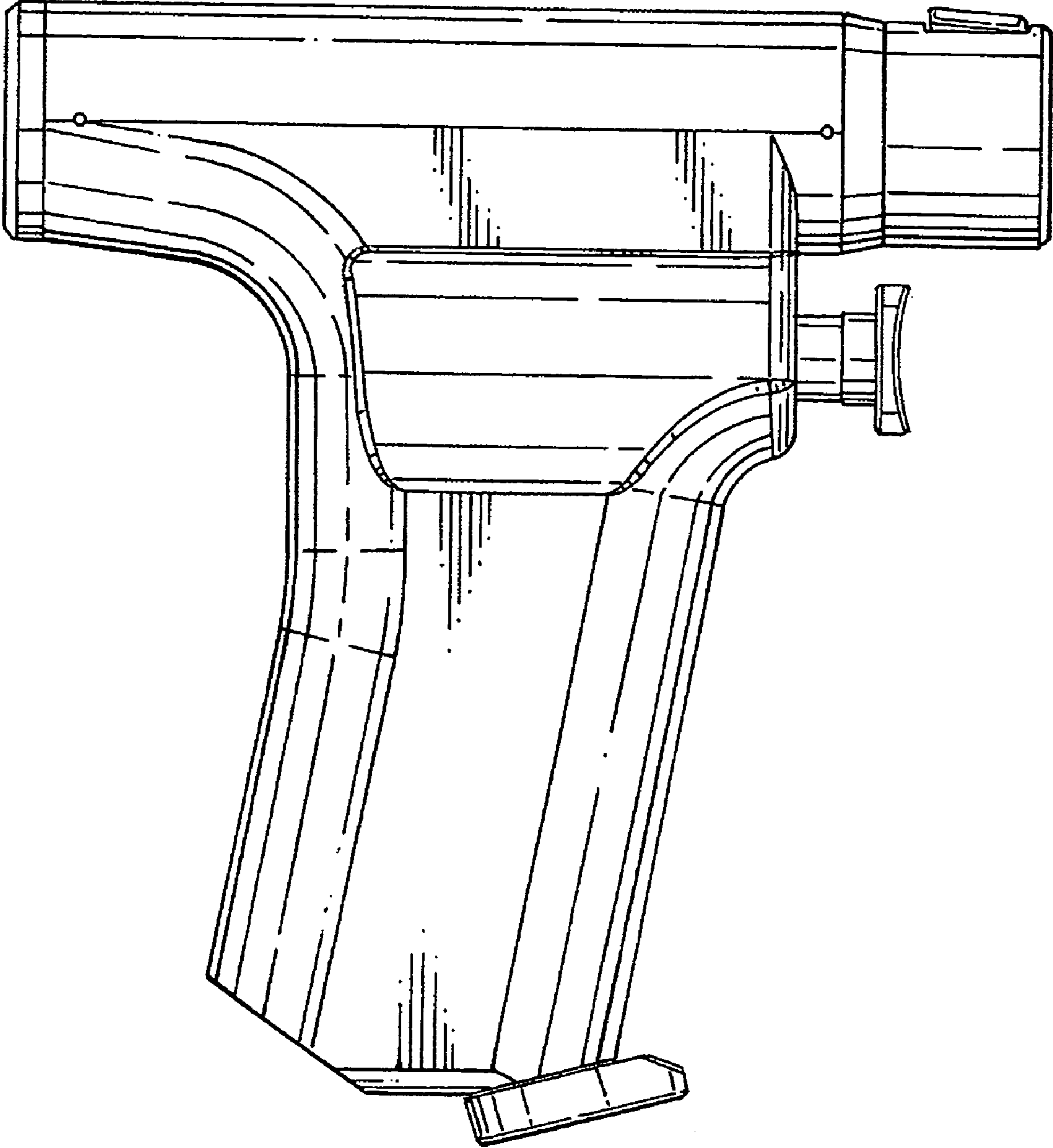


FIG. 3

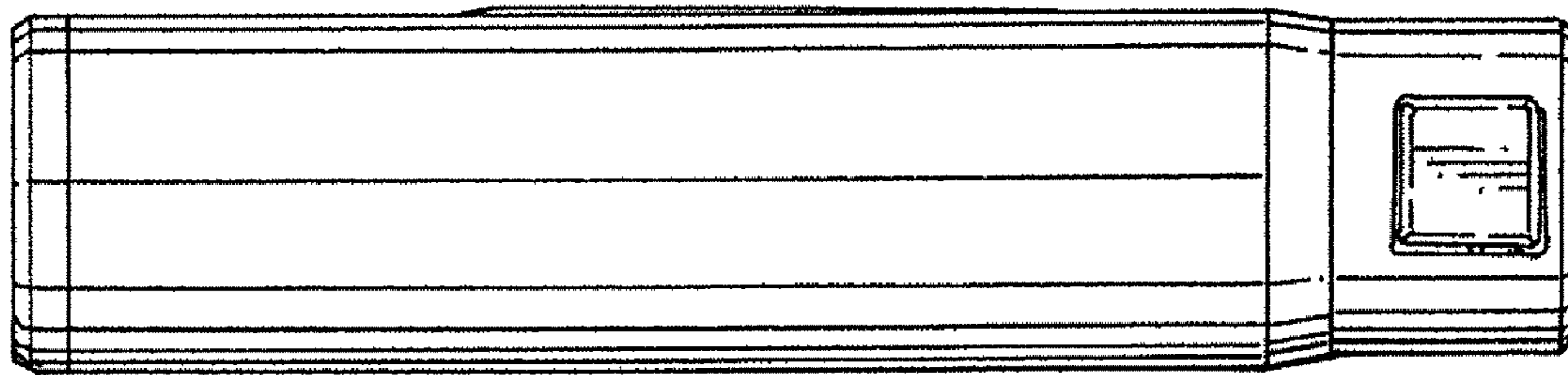


FIG. 4

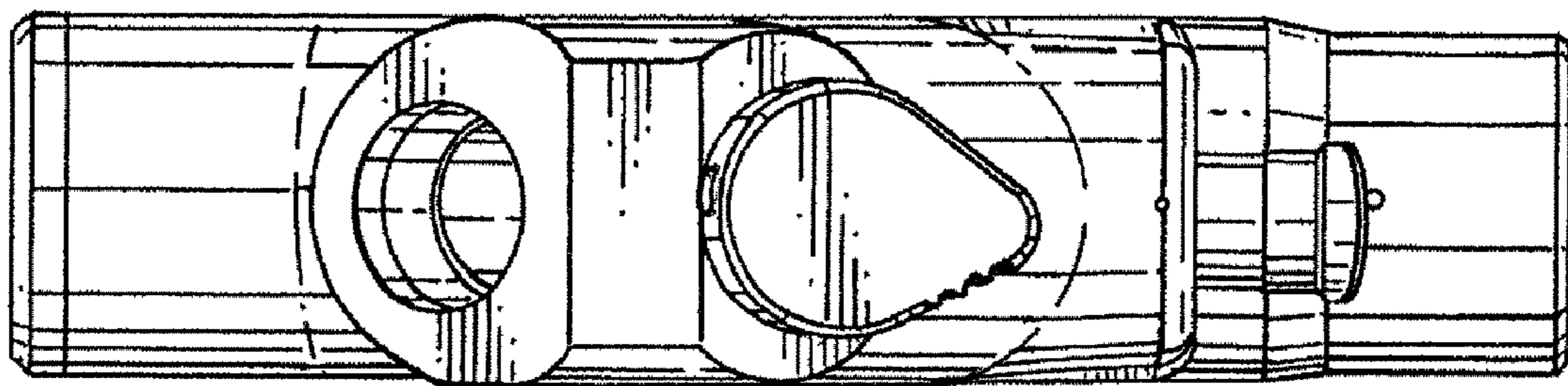


FIG. 5

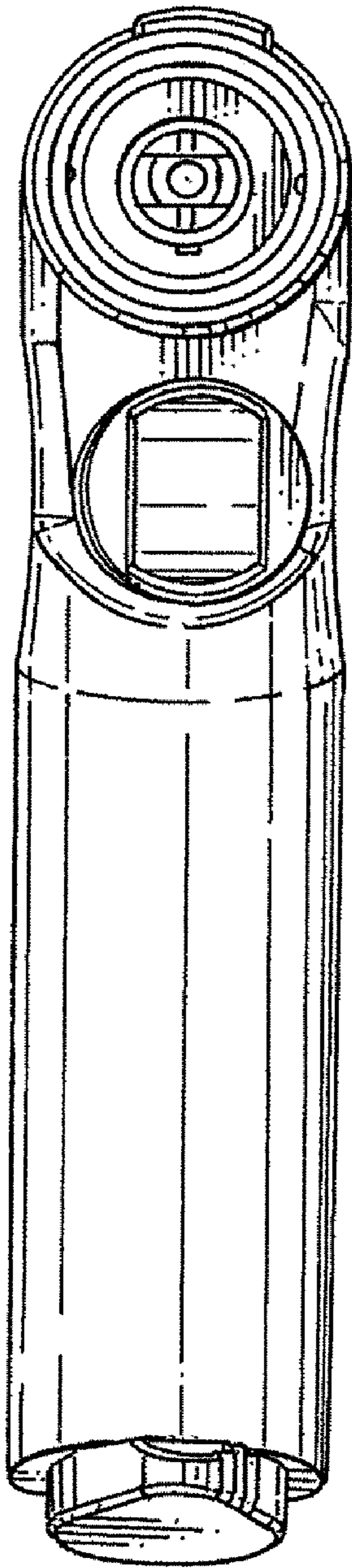


FIG. 6

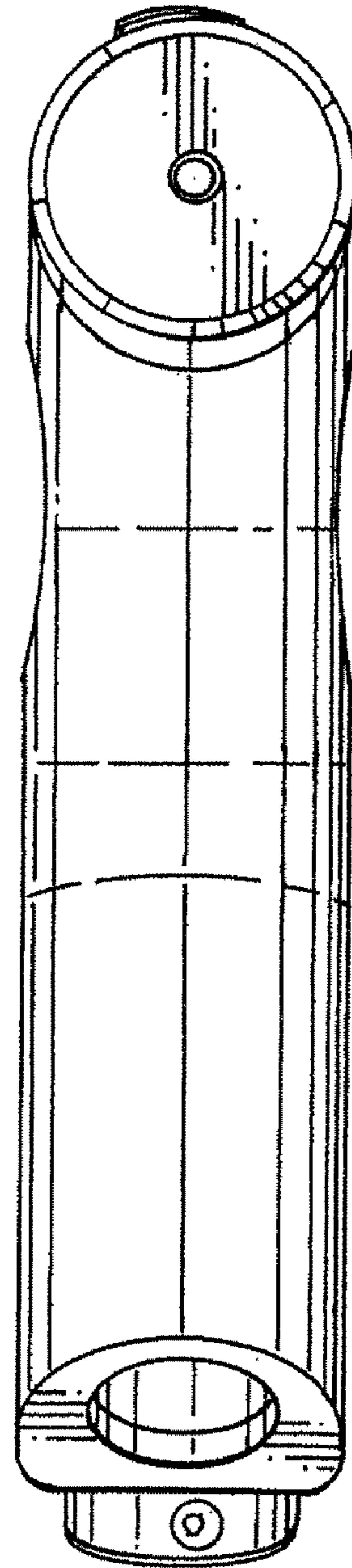


FIG. 7