

US00D545425S

(12) **United States Design Patent**
Chang Chien

(10) **Patent No.:** **US D545,425 S**
(45) **Date of Patent:** **** Jun. 26, 2007**

(54) **PORTABLE BIDET**

2005/0220620 A1* 10/2005 Walker et al. 416/186 R

(76) Inventor: **Sung-Shan Chang Chien**, c/o PMB
#1008, 1867 Ygnacio Valley Rd.,
Walnut Creek, CA (US) 94598

FOREIGN PATENT DOCUMENTS

EM 000239454-0001 * 10/2004
EM 000261672-0001 * 11/2004
GB 2078657 * 10/1999

(**) Term: **14 Years**

* cited by examiner

(21) Appl. No.: **29/216,986**

Primary Examiner—Carol Rademaker

Assistant Examiner—Anna Burmeister

(22) Filed: **Nov. 12, 2004**

(74) *Attorney, Agent, or Firm*—Leong C. Lei

(51) **LOC (8) Cl.** **24-01**

(57) **CLAIM**

(52) **U.S. Cl.** **D24/108**

(58) **Field of Classification Search** D24/108,
D24/186, 111, 117, 113; D10/56, 75; 600/306;
324/690; D23/295, 298, 299, 301, 226, 311
See application file for complete search history.

The ornamental design for portable bidet, as shown and described.

DESCRIPTION

(56) **References Cited**

FIG. 1 is a front perspective view of a portable bidet showing my new design;

U.S. PATENT DOCUMENTS

FIG. 2 is a front elevational view thereof;

279,924	A *	6/1883	Elward	92/161
343,447	A *	6/1886	Fitzgerald	126/167
358,872	A *	3/1887	Mendenhall	384/321
484,971	A *	10/1892	Morison	14/73.5
1,685,693	A *	9/1928	Claus	604/181
3,490,079	A *	1/1970	Stolbach	4/420.3
3,783,867	A *	1/1974	Summersby et al.	604/118
3,808,608	A *	5/1974	Caplan	4/448
3,947,898	A *	4/1976	Ducharme	4/447
4,178,931	A *	12/1979	Lind et al.	604/151
2003/0070215	A1 *	4/2003	Chung	4/420.4
2004/0148689	A1 *	8/2004	Patalinghug	4/420.4
2005/0187526	A1 *	8/2005	Home	604/279
2005/0210572	A1 *	9/2005	Fogel	4/443

FIG. 3 is a rear elevational view thereof;

FIG. 4 is a left side elevational view thereof;

FIG. 5 is a right side elevational view thereof;

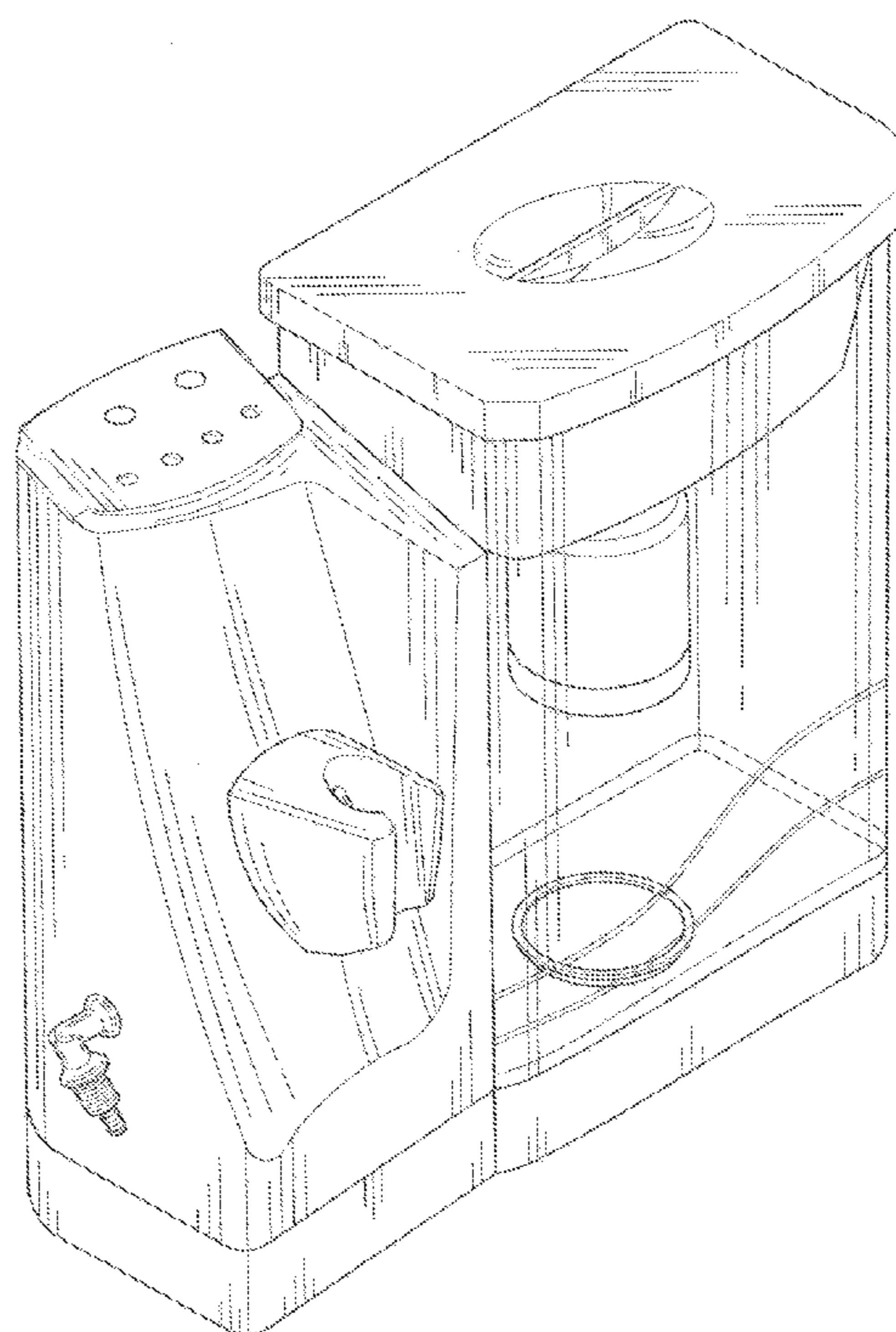
FIG. 6 is a top plan view thereof;

FIG. 7 is a bottom plan view thereof; and,

FIG. 8 is a perspective view of the portable bidet shown with an unclaimed nozzle.

The broken lines shown in the drawings are for illustrative purposes only and form no part of the claimed design.

1 Claim, 8 Drawing Sheets



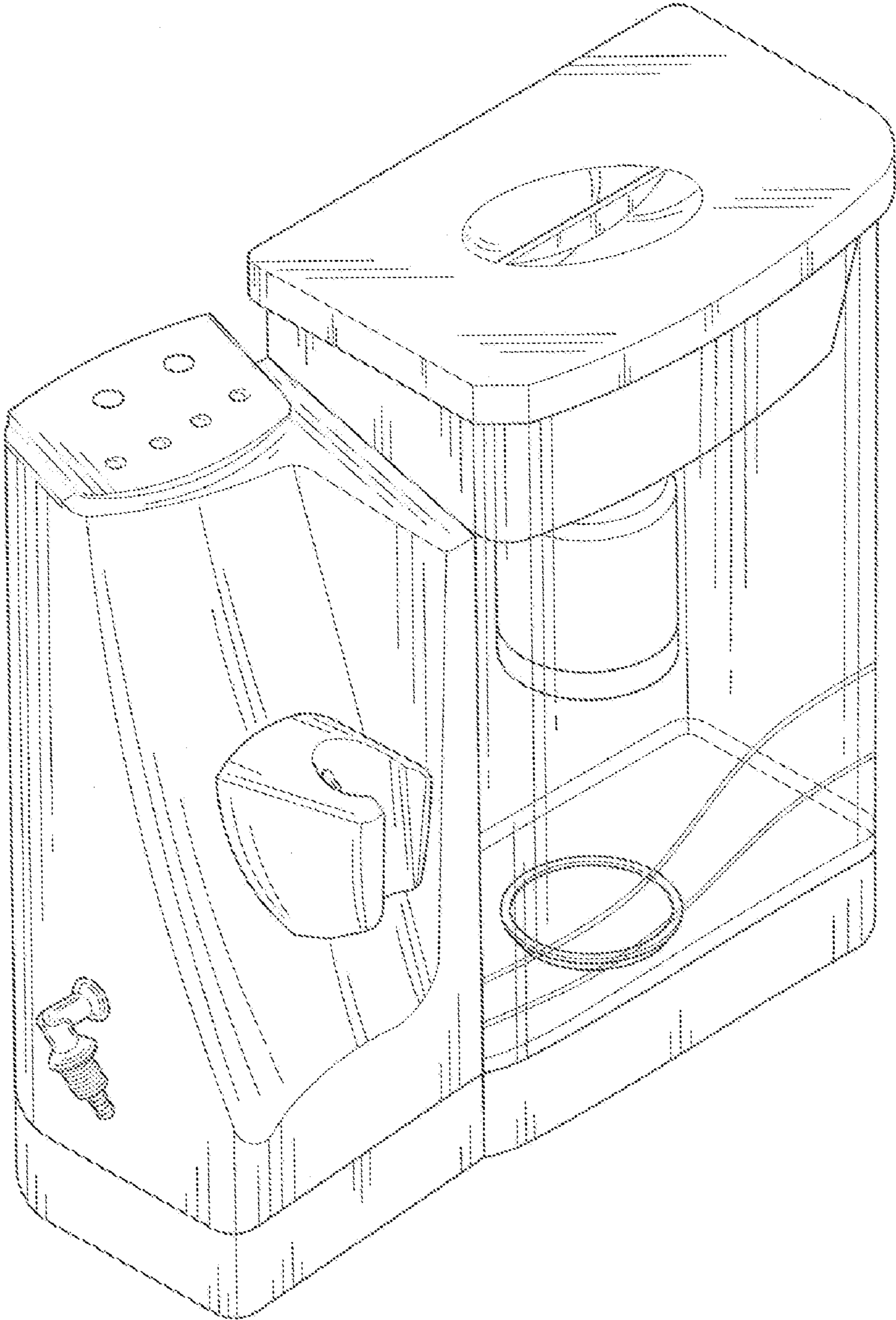


FIG. 1

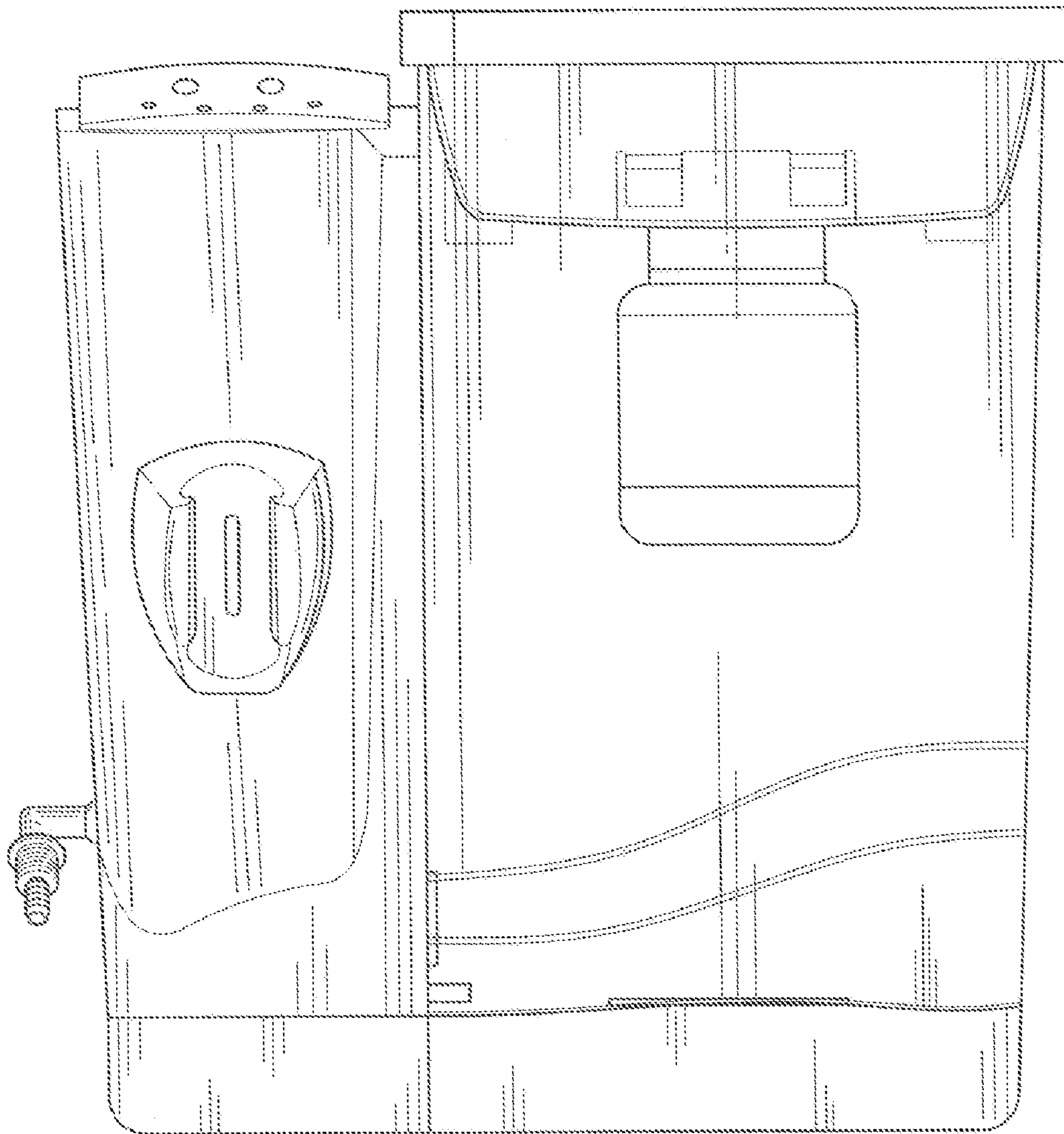


FIG.2

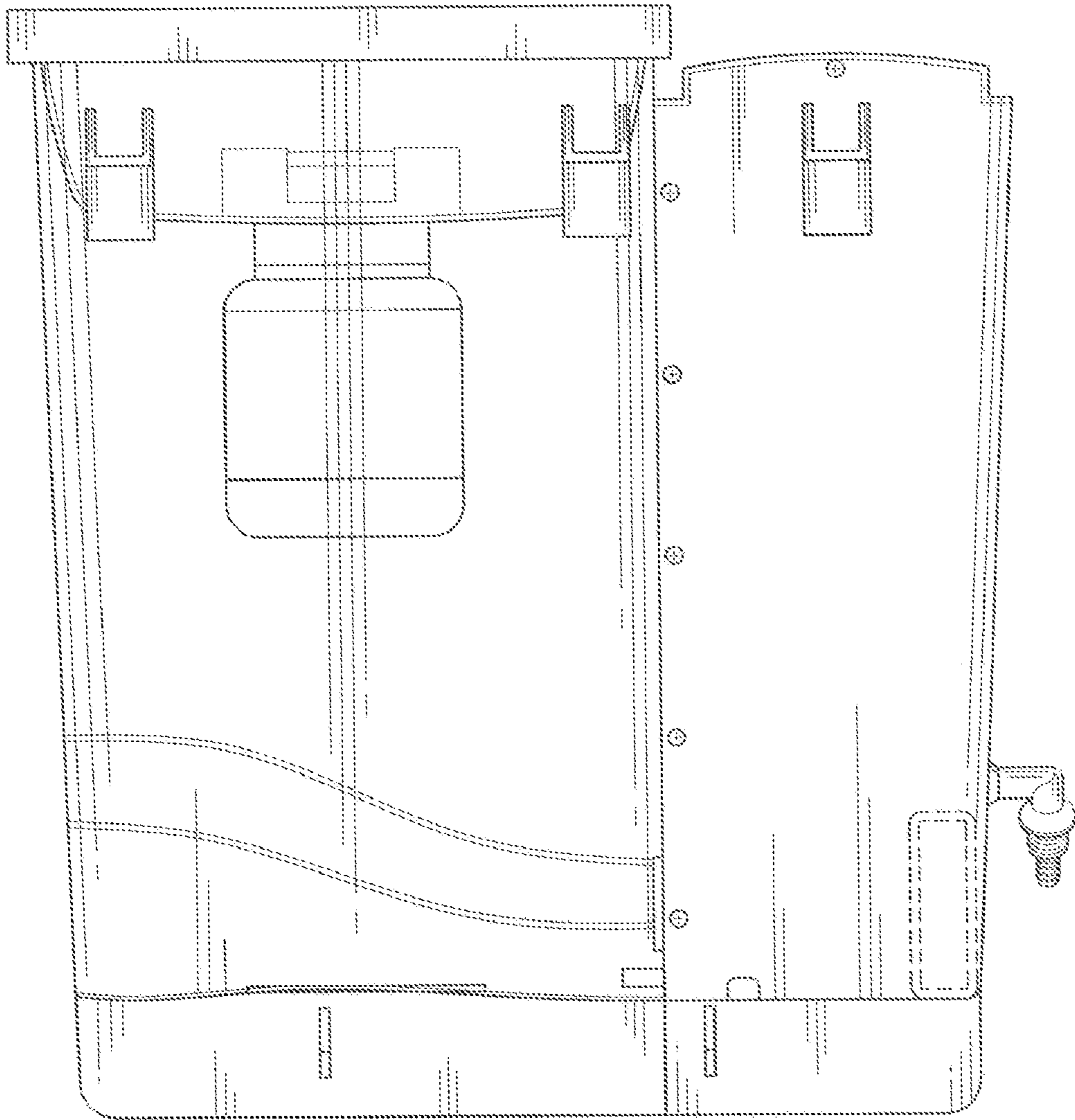


FIG. 3

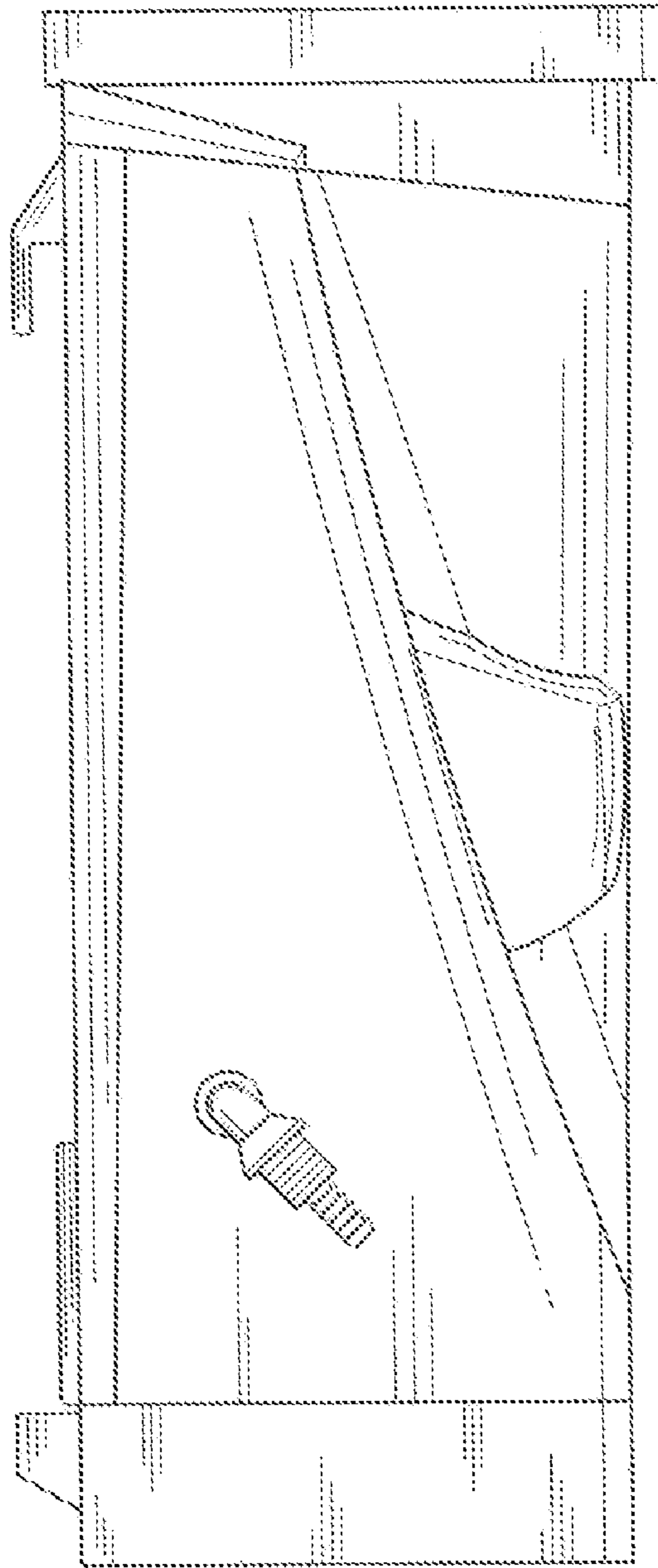


FIG. 4

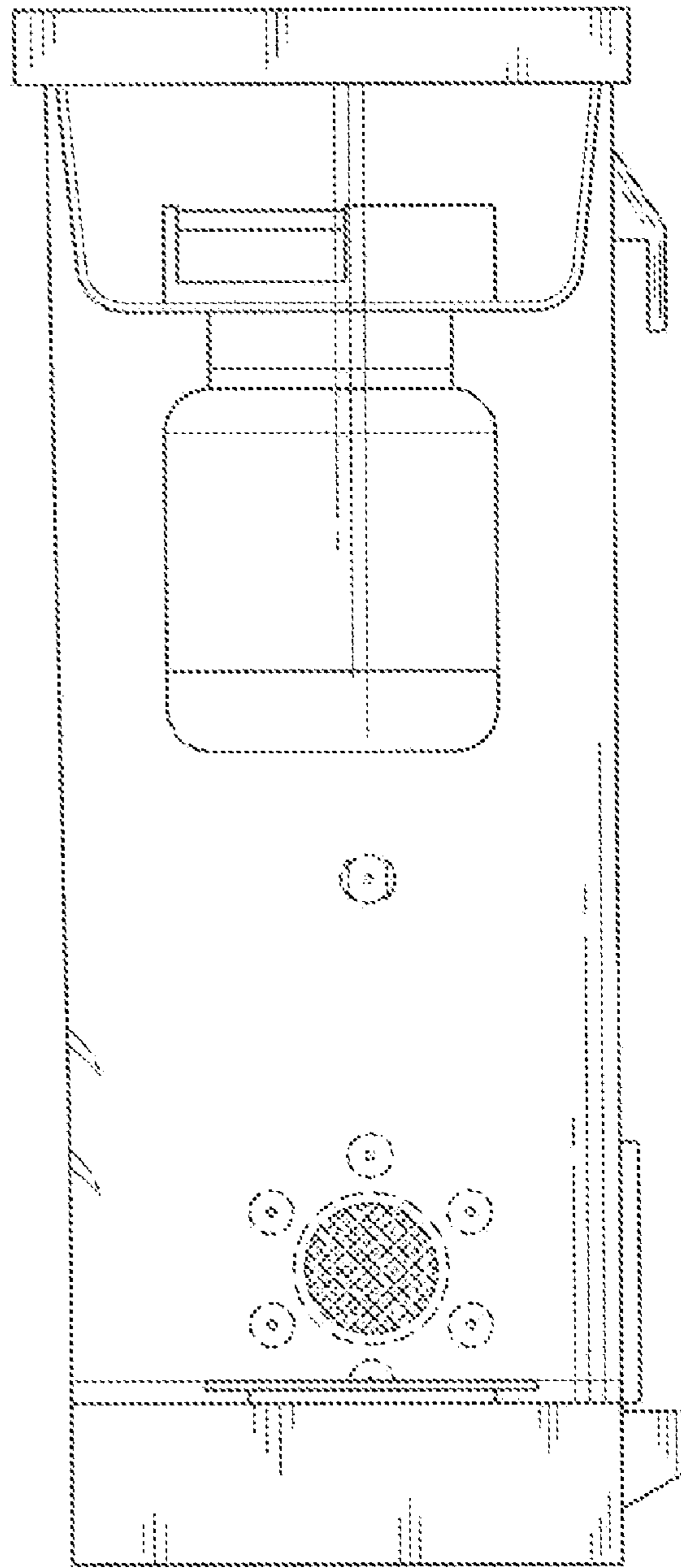


FIG. 5

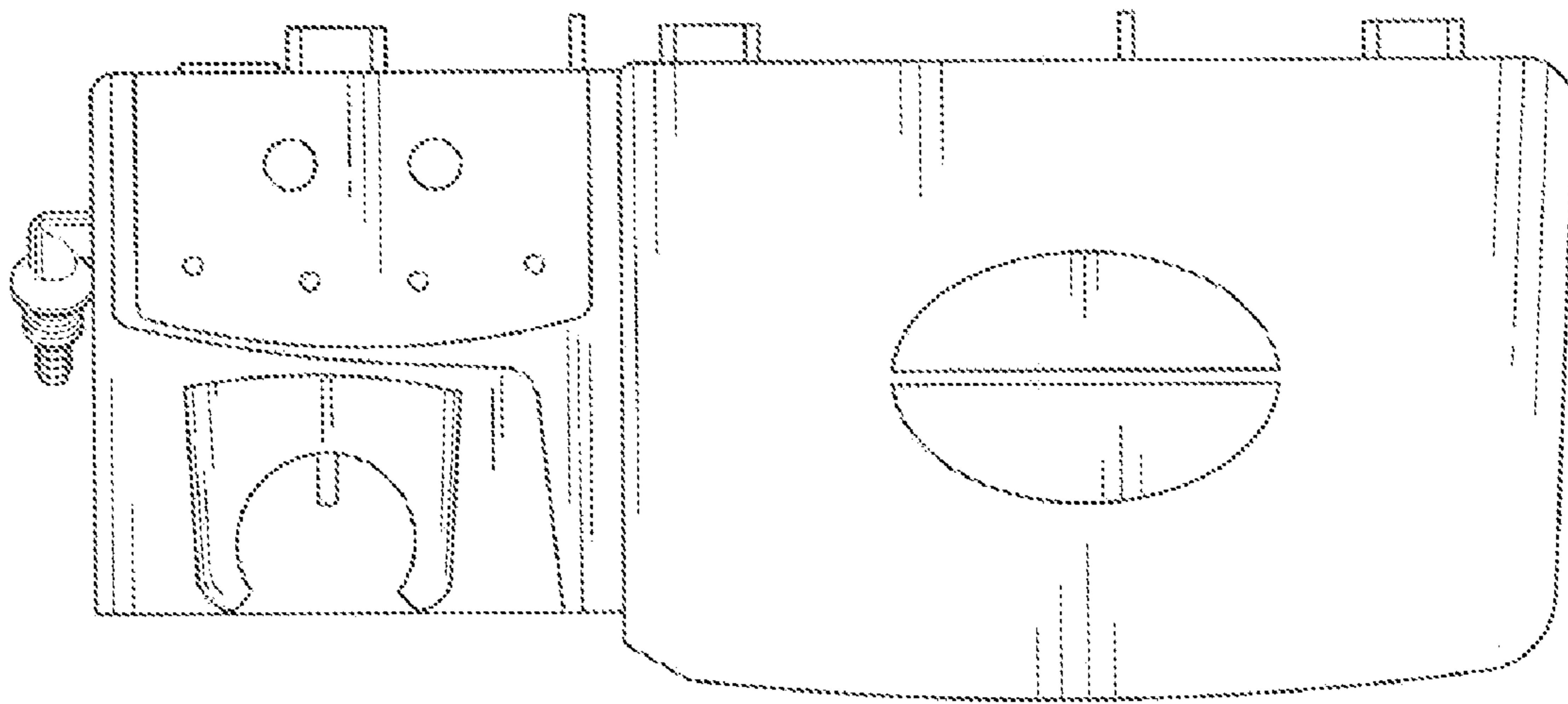


FIG. 6

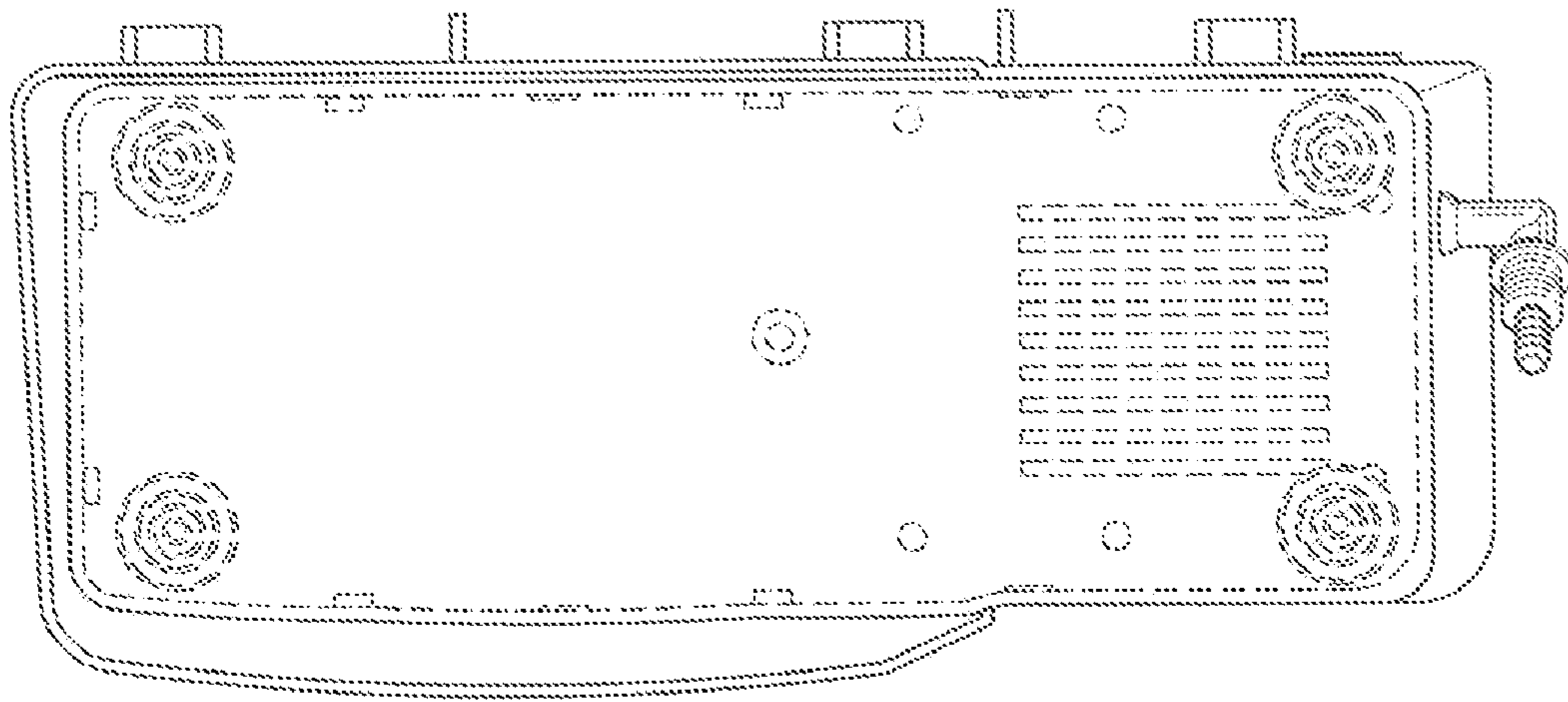


FIG. 7

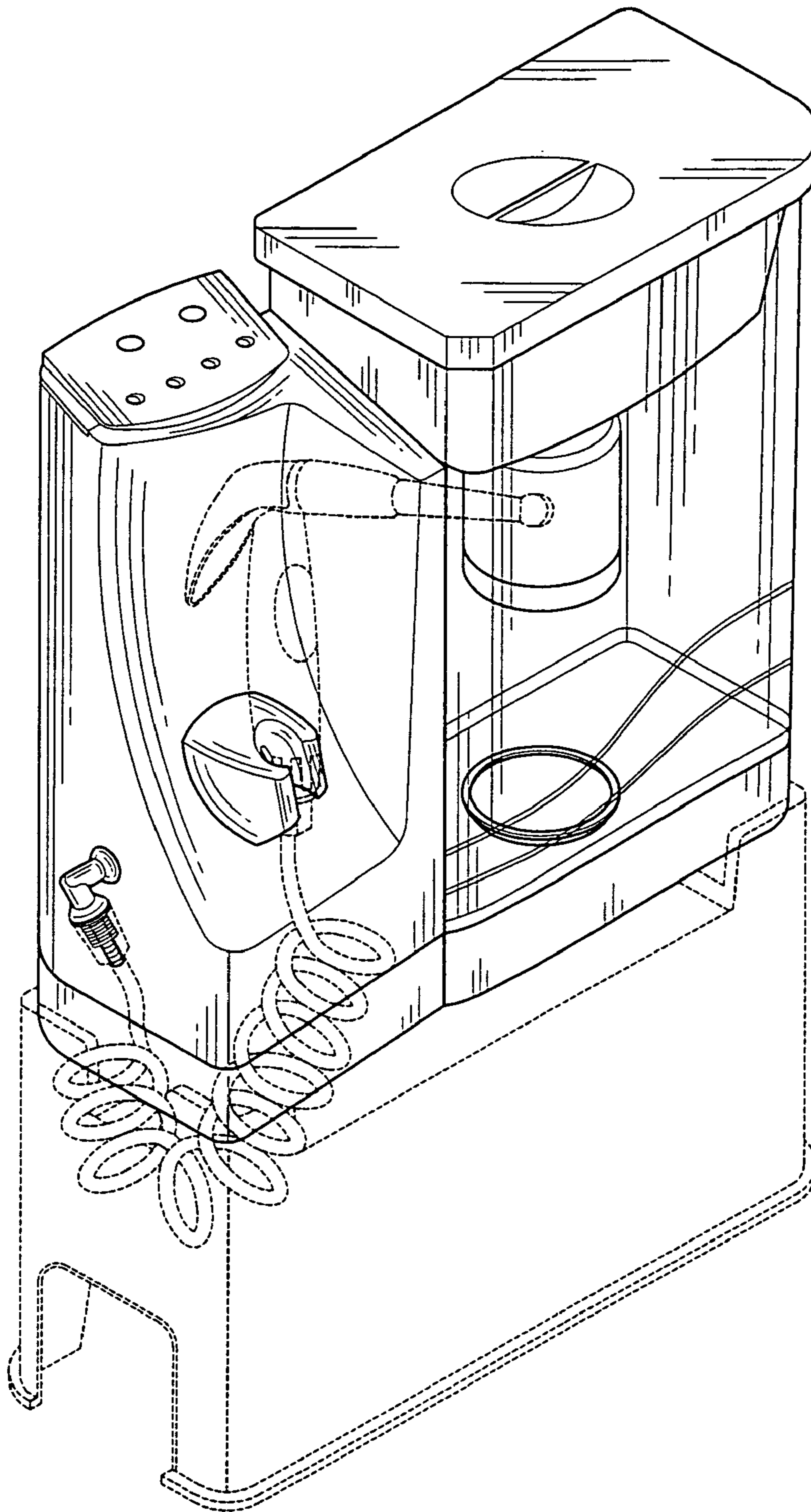


FIG.8