



US00D545424S

(12) **United States Design Patent**  
**Ertze**

(10) **Patent No.:** **US D545,424 S**

(45) **Date of Patent:** **\*\* Jun. 26, 2007**

(54) **CEILING FAN MOTOR HOUSING**

D513,532 S \* 1/2006 Flores ..... D23/411  
D530,812 S \* 10/2006 Guthrie ..... D23/411

(75) Inventor: **Pablo J. Ertze**, Rancho Cucamonga,  
CA (US)

\* cited by examiner

(73) Assignee: **Air Cool Industrial Co., Ltd.**,  
Taichung County (TW)

*Primary Examiner*—Lisa Lichtenstein  
(74) *Attorney, Agent, or Firm*—Troxell Law Office, PLLC

(\*\*) Term: **14 Years**

(57) **CLAIM**

(21) Appl. No.: **29/265,117**

I claim the ornamental design for a ceiling fan motor housing, as shown and described.

(22) Filed: **Aug. 25, 2006**

**DESCRIPTION**

(51) **LOC (8) Cl.** ..... **23-04**

FIG. 1 is a front perspective view of a ceiling fan motor housing showing my new design;

(52) **U.S. Cl.** ..... **D23/411**

FIG. 2 is a front elevational view thereof;

(58) **Field of Classification Search** ..... D23/411,  
D23/377, 379, 385; 416/5; 392/364

FIG. 3 is a rear elevational view thereof.

See application file for complete search history.

FIG. 4 is a left side elevational view thereof;

FIG. 5 is a right side elevational view thereof;

(56) **References Cited**

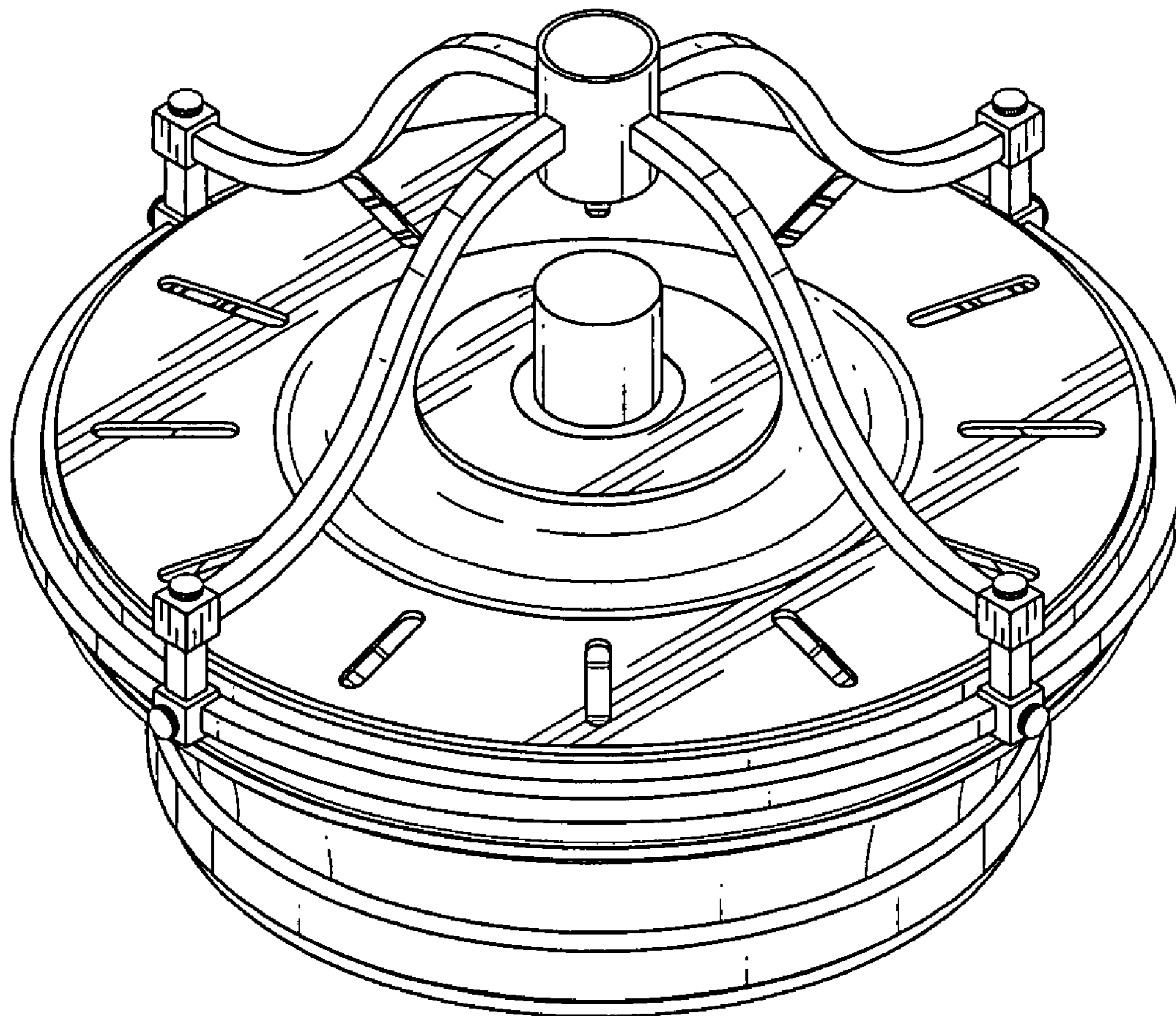
**U.S. PATENT DOCUMENTS**

D452,309 S \* 12/2001 Dolan ..... D23/411  
D499,479 S \* 12/2004 Thomas, Jr. .... D23/411  
D510,431 S \* 10/2005 Pickett ..... D23/411

FIG. 6 is a top plan view thereof; and,

FIG. 7 is a bottom plan view thereof.

**1 Claim, 5 Drawing Sheets**



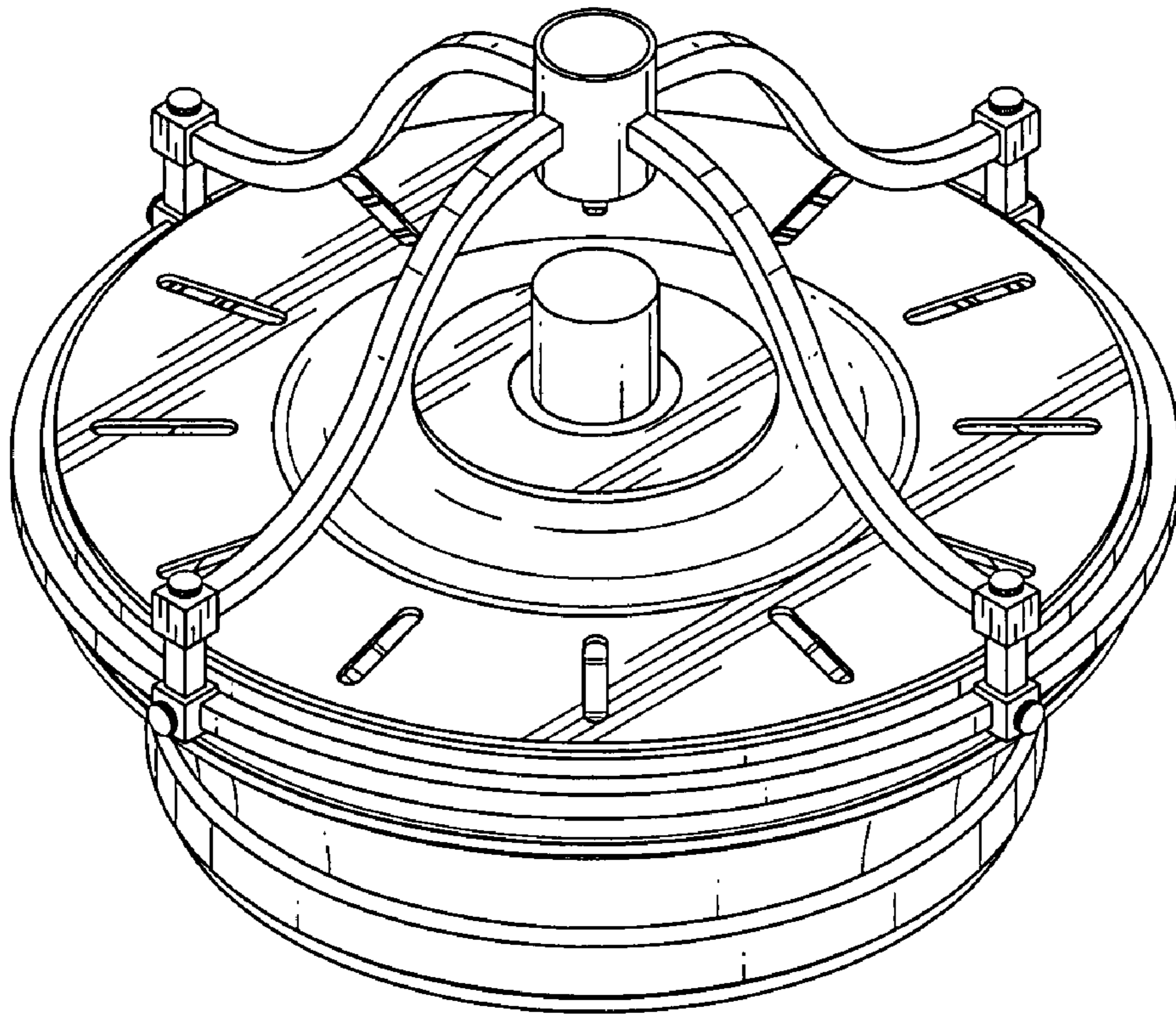


FIG. 1

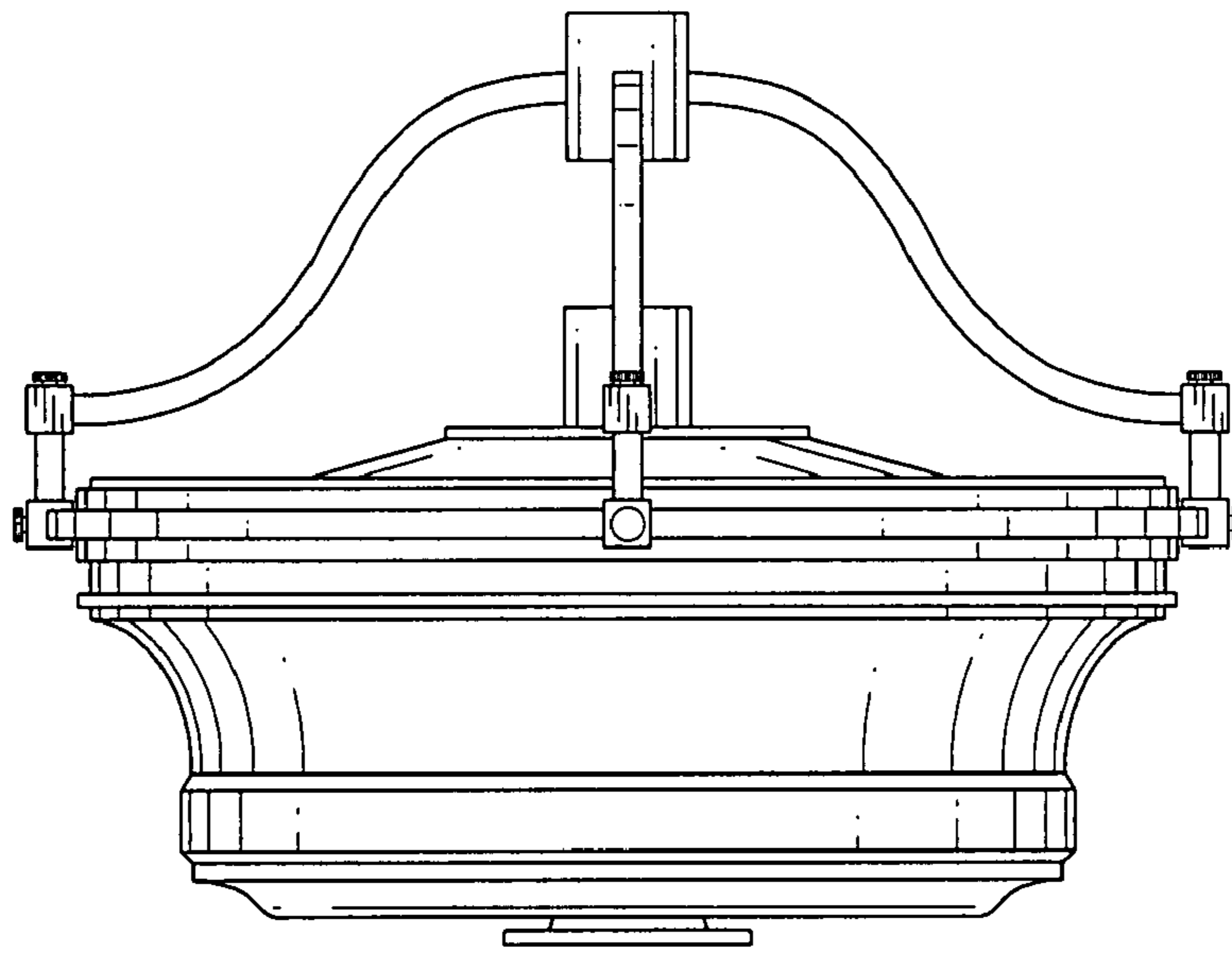


FIG. 2

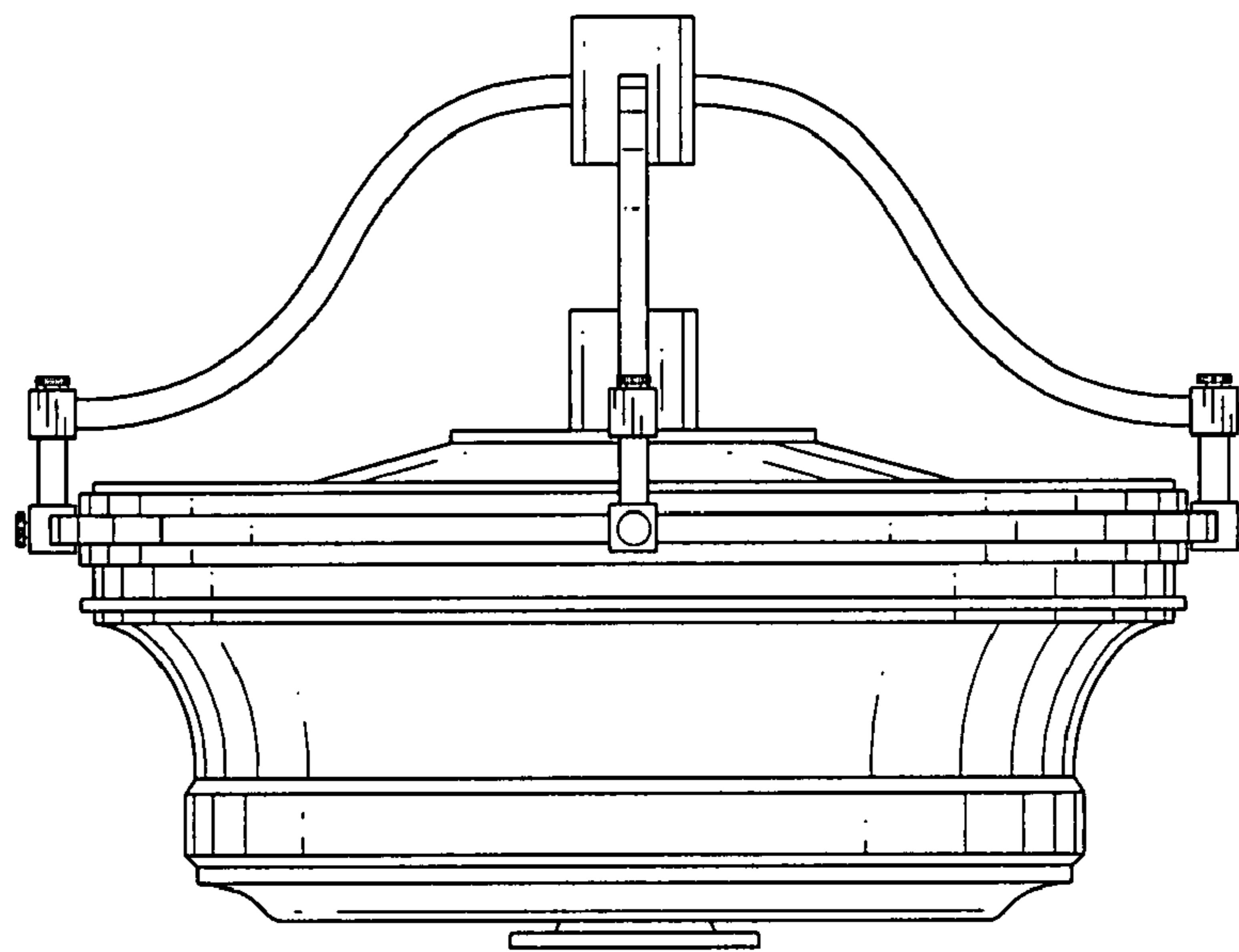


FIG. 3

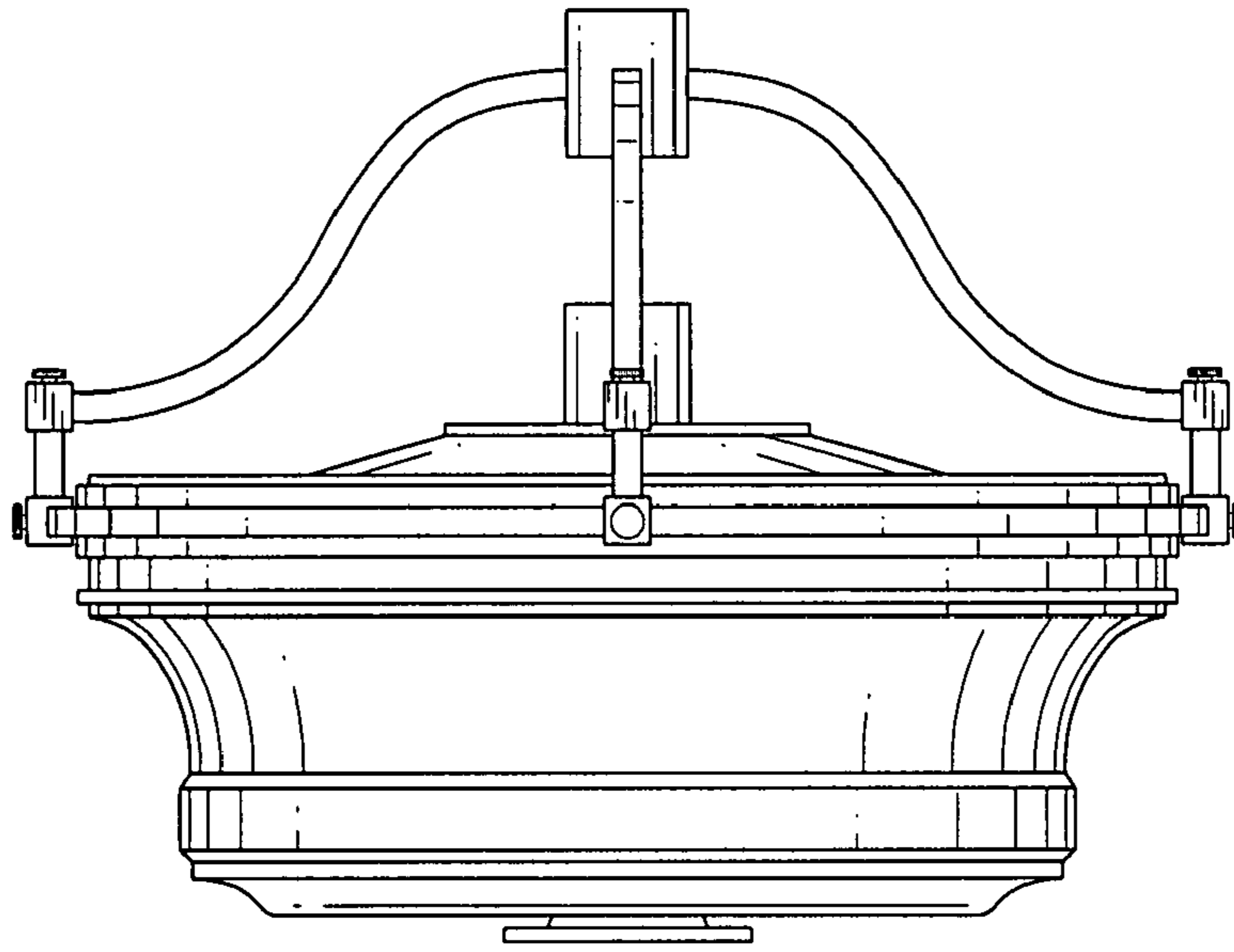


FIG. 4

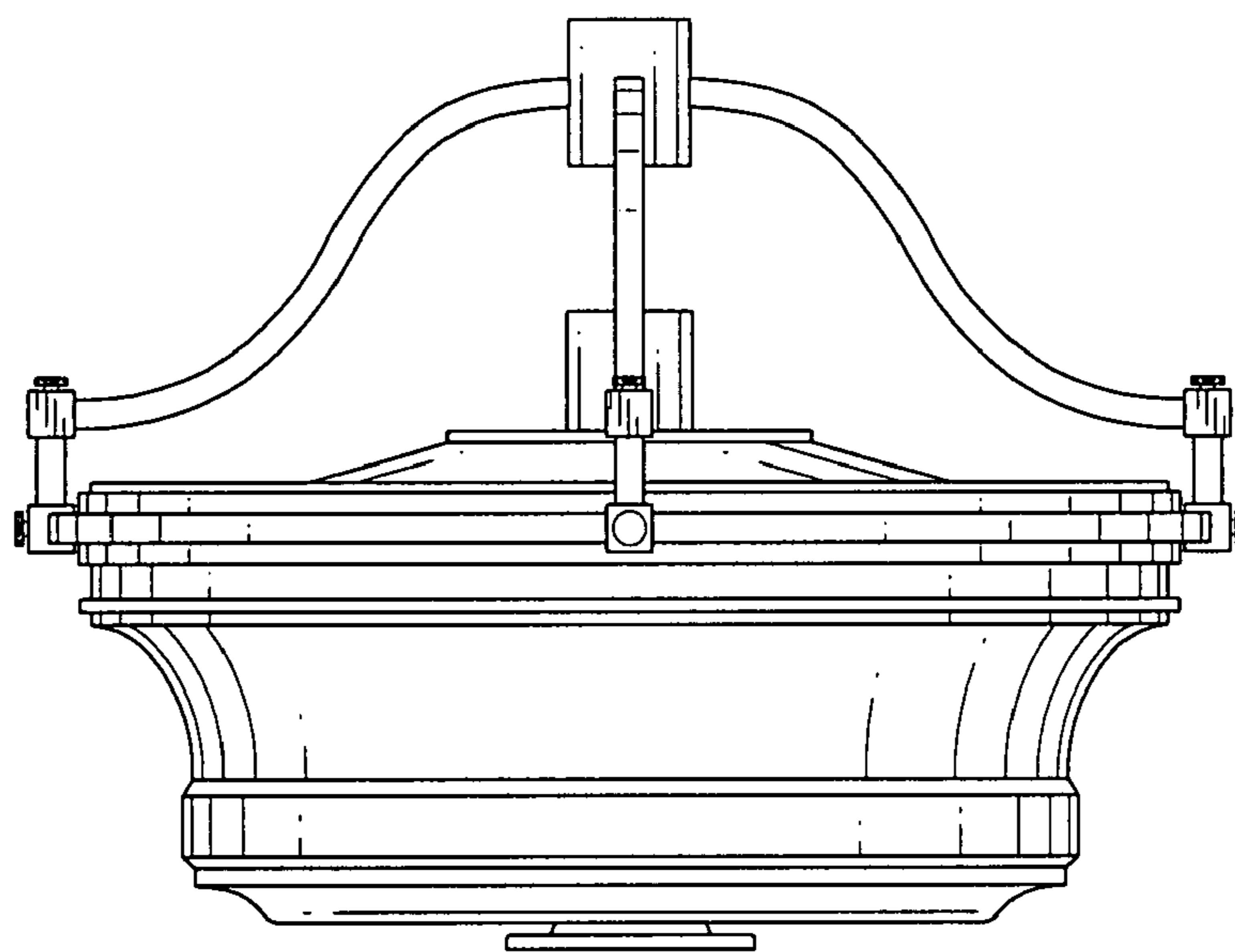


FIG. 5

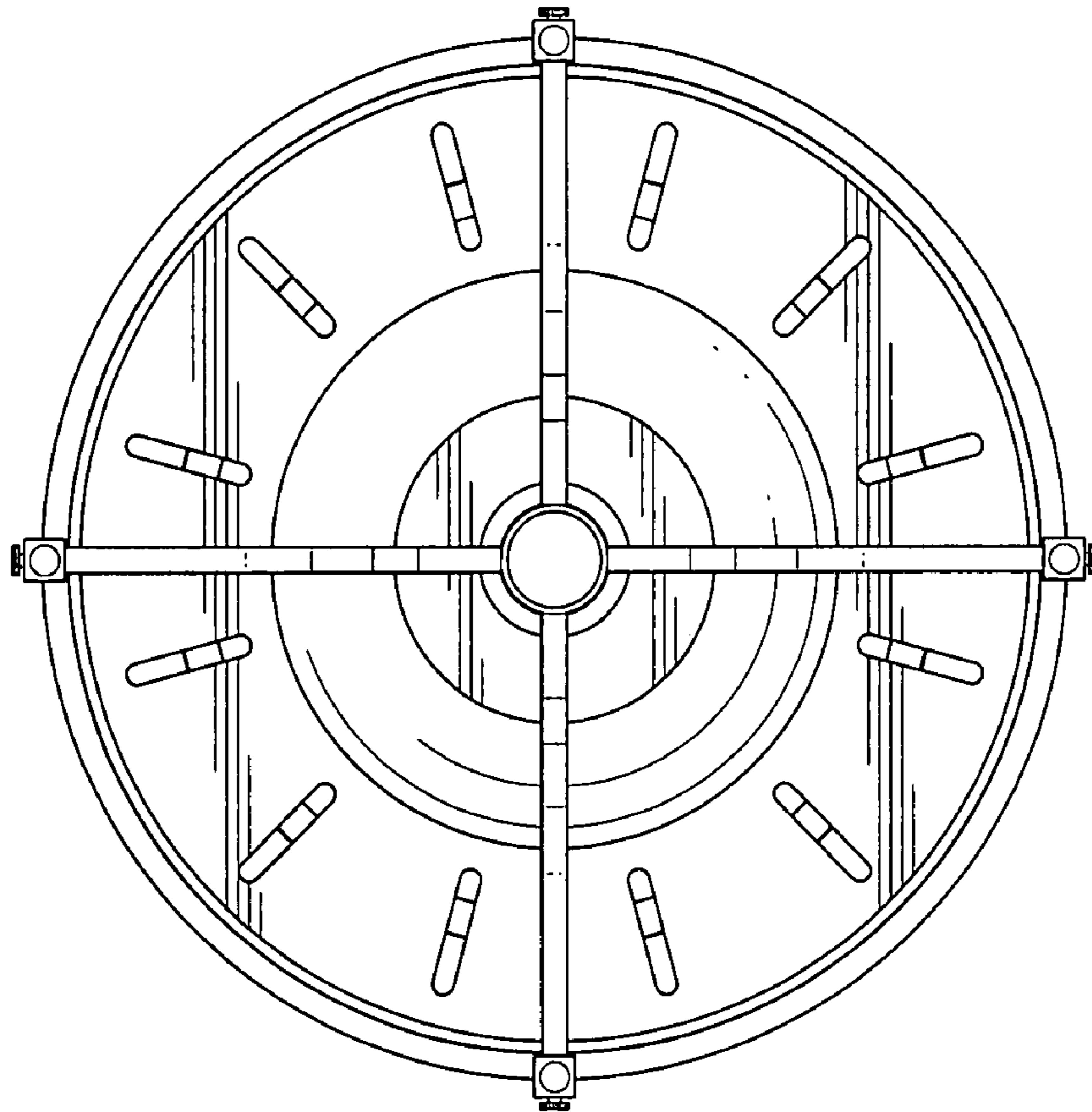


FIG. 6

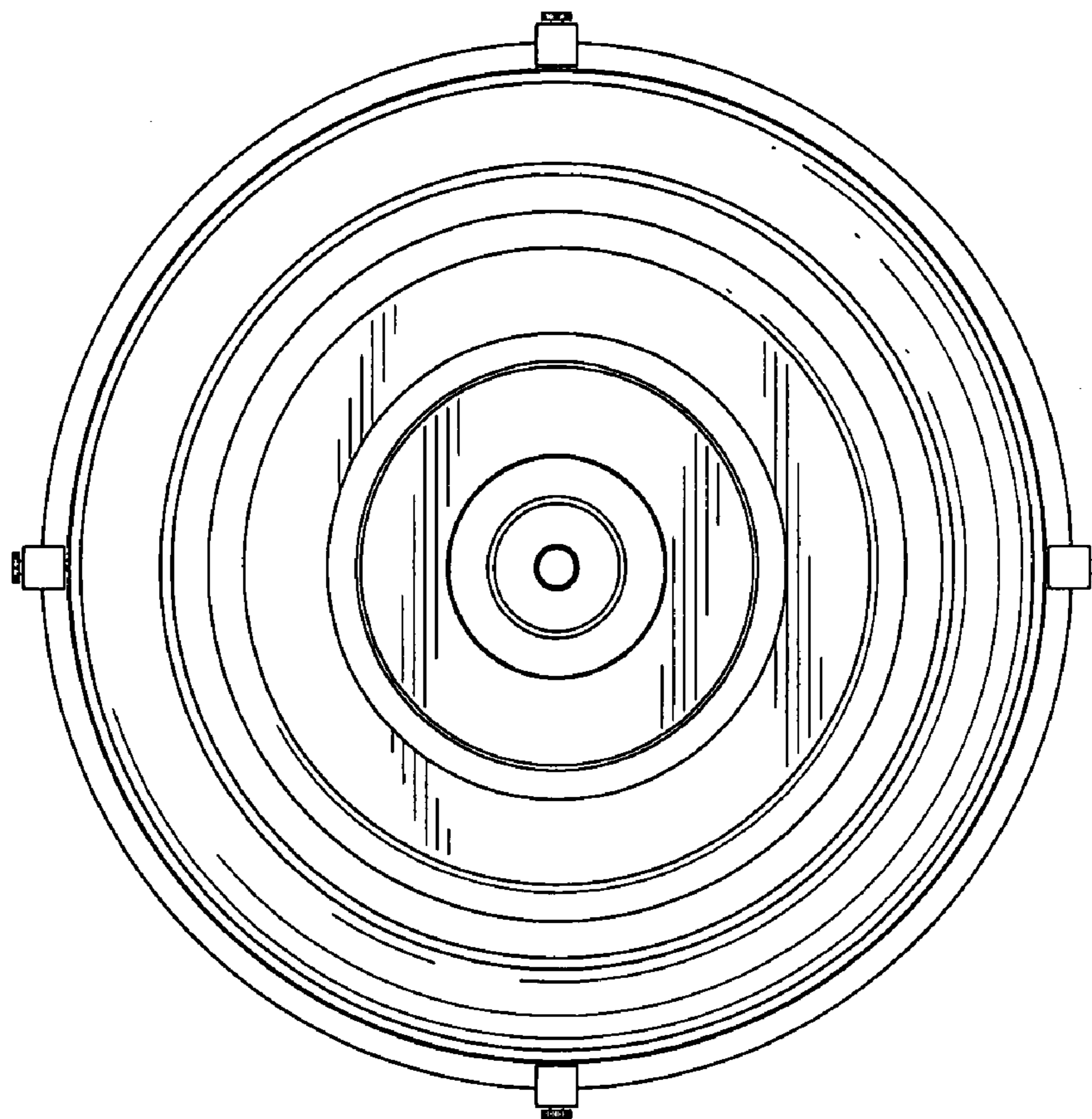


FIG. 7