

US00D545422S

(12) **United States Design Patent**
Glasbrenner

(10) **Patent No.:** **US D545,422 S**

(45) **Date of Patent:** **** Jun. 26, 2007**

(54) **CEILING FAN**

(75) **Inventor:** **Brian Glasbrenner**, Smyrna, GA (US)

(73) **Assignee:** **Air Cool Industrial Co., Ltd.**,
Taichung (TW)

(**) **Term:** **14 Years**

(21) **Appl. No.:** **29/264,486**

(22) **Filed:** **Aug. 9, 2006**

(51) **LOC (8) Cl.** **23-04**

(52) **U.S. Cl.** **D23/377**

(58) **Field of Classification Search** D23/411,
D23/413, 377, 379, 385; 416/5; D26/59,
D26/51, 72, 80-86, 73

See application file for complete search history.

(56) **References Cited**

U.S. PATENT DOCUMENTS

D287,518 S	*	12/1986	Ohno	D21/583
D294,604 S	*	3/1988	Shibukawa	D21/583
D359,553 S	*	6/1995	Hsi	D23/377
5,508,484 A		4/1996	Chen		
D396,530 S		7/1998	Tai		
D404,808 S		1/1999	Tai		
D404,809 S		1/1999	Tai		
D405,878 S		2/1999	Tai		
D408,073 S		4/1999	Tai		
D408,074 S		4/1999	Tai		
D408,516 S		4/1999	Tai		
D409,297 S		5/1999	Tai		
6,059,531 A		5/2000	Tai		
6,135,618 A		10/2000	Tai		
6,259,025 B1		7/2001	Tai		
6,379,116 B1		4/2002	Tai		
D457,947 S		5/2002	Tai		
6,392,146 B1		5/2002	Tai		

D458,675 S		6/2002	Tai	
D478,381 S		8/2003	Tai	
D479,872 S	*	9/2003	Young D23/377
D483,463 S		12/2003	Tai	
D483,464 S		12/2003	Tai	
D483,465 S		12/2003	Tai	
D483,847 S		12/2003	Tai	
D483,848 S		12/2003	Tai	
D483,849 S		12/2003	Tai	
D483,850 S		12/2003	Tai	
D484,588 S		12/2003	Tai	
D484,969 S		1/2004	Tai	
D485,344 S		1/2004	Tai	
D485,609 S		1/2004	Tai	
D485,611 S		1/2004	Tai	
D485,897 S		1/2004	Tai	
D490,888 S		6/2004	Tai	

(Continued)

Primary Examiner—Lisa Lichtenstein

(74) *Attorney, Agent, or Firm*—Morrison & Foerster LLP

(57) **CLAIM**

The ornamental design for a ceiling fan, as shown and described.

DESCRIPTION

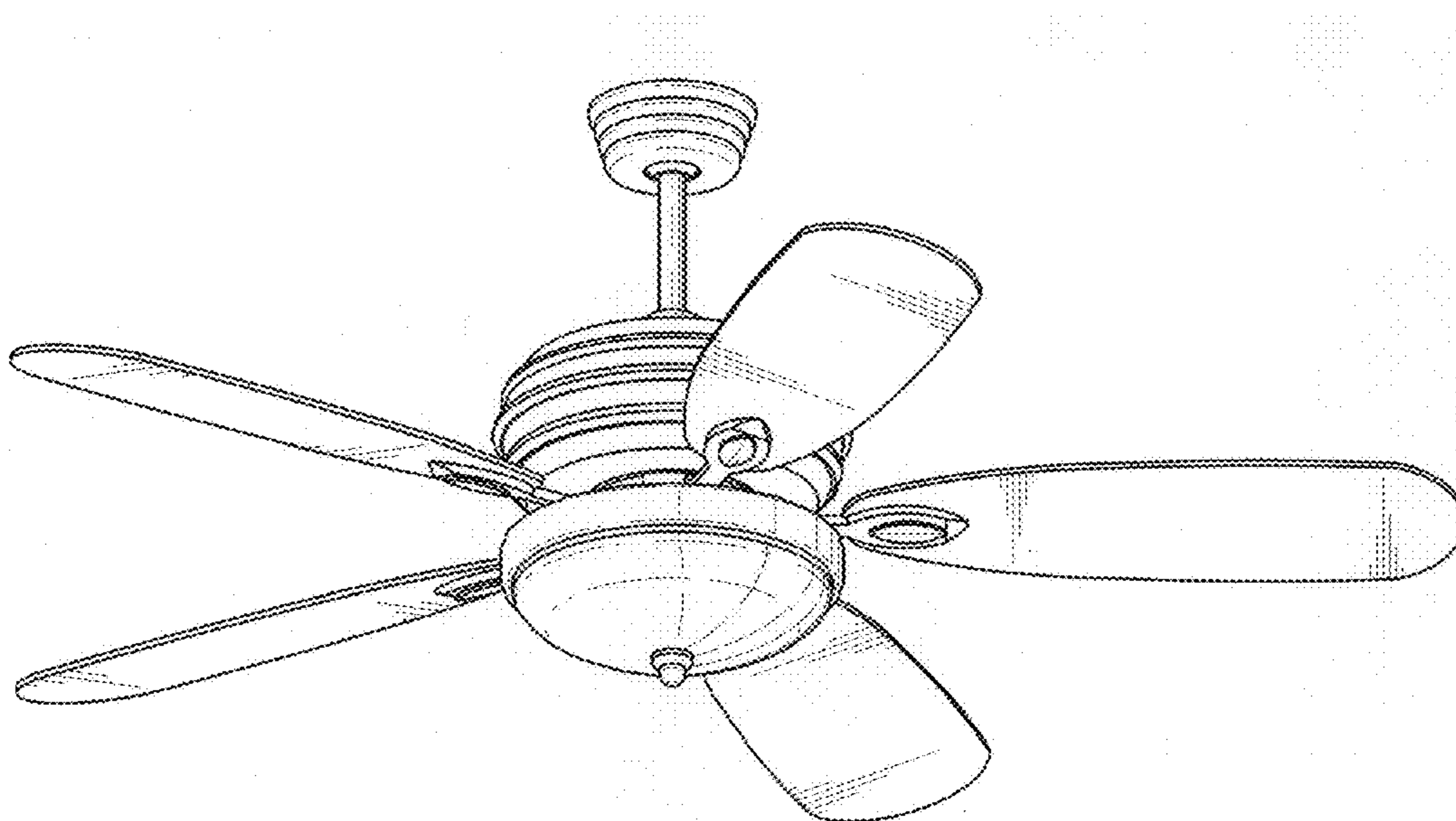
FIG. 1 is a perspective view of a ceiling fan in accordance with the present invention;

FIG. 2 is another perspective view of the ceiling fan in accordance with the present invention;

FIG. 3 is a reduced bottom view of the ceiling fan in accordance with the present invention; and,

FIG. 4 is a reduced side view of the ceiling fan in accordance with the present invention.

1 Claim, 4 Drawing Sheets



US D545,422 S

Page 2

U.S. PATENT DOCUMENTS

D494,705 S	8/2004	Tai	D504,173 S	4/2005	Cohen	
D501,578 S	2/2005	Tai	D505,197 S	5/2005	Tai	
D503,472 S	3/2005	Tai	D505,724 S	5/2005	Tai	
D503,473 S	3/2005	Tai	D507,644 S	7/2005	Tai	
D503,474 S	3/2005	Tai	D507,830 S	7/2005	Pan	
D503,475 S	3/2005	Tai	D518,887 S *	4/2006	Tai D23/411
D503,476 S	3/2005	Tai	D531,305 S *	10/2006	Glasbrenner D23/411
D503,795 S	4/2005	Tai				

* cited by examiner

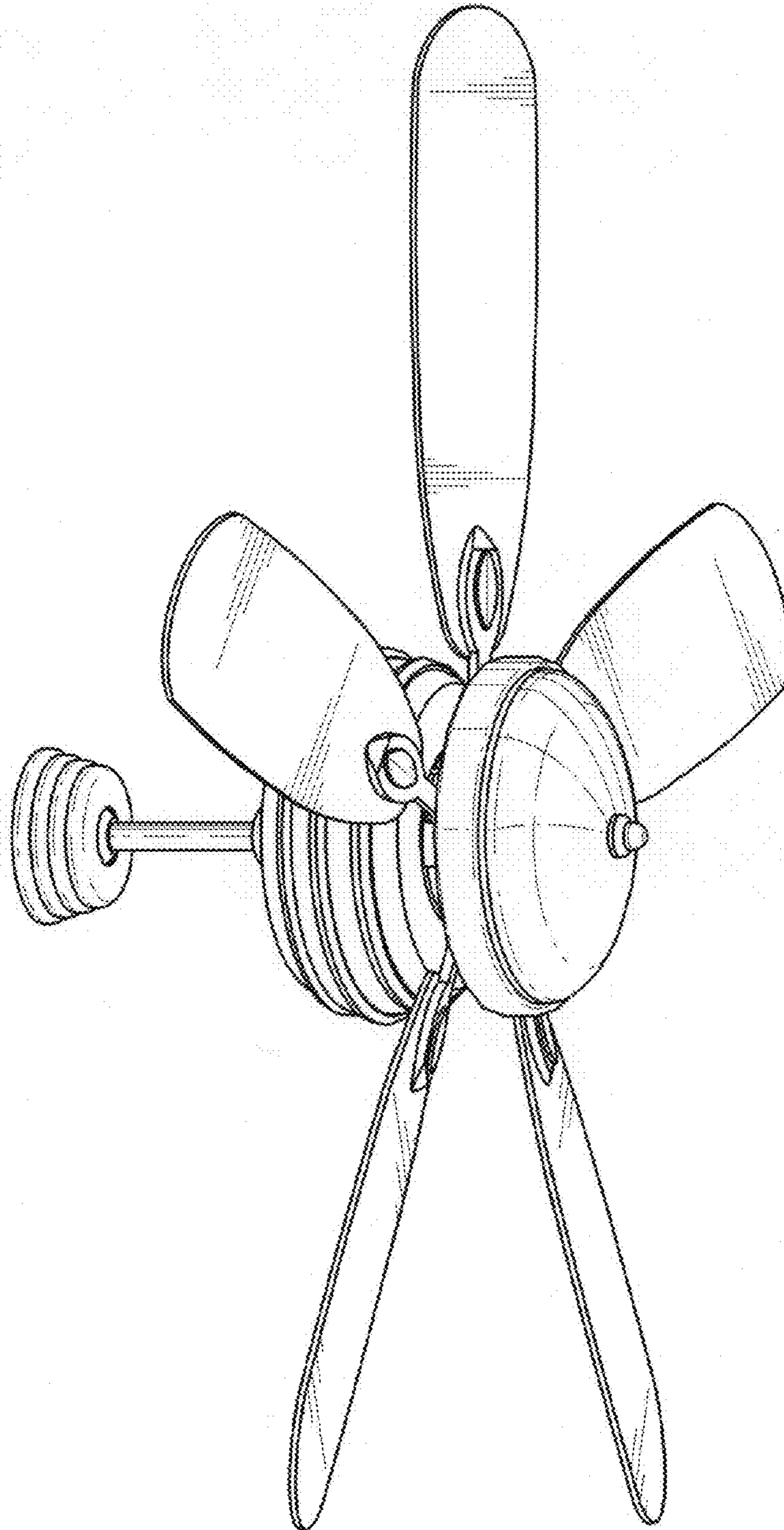


FIG. 1

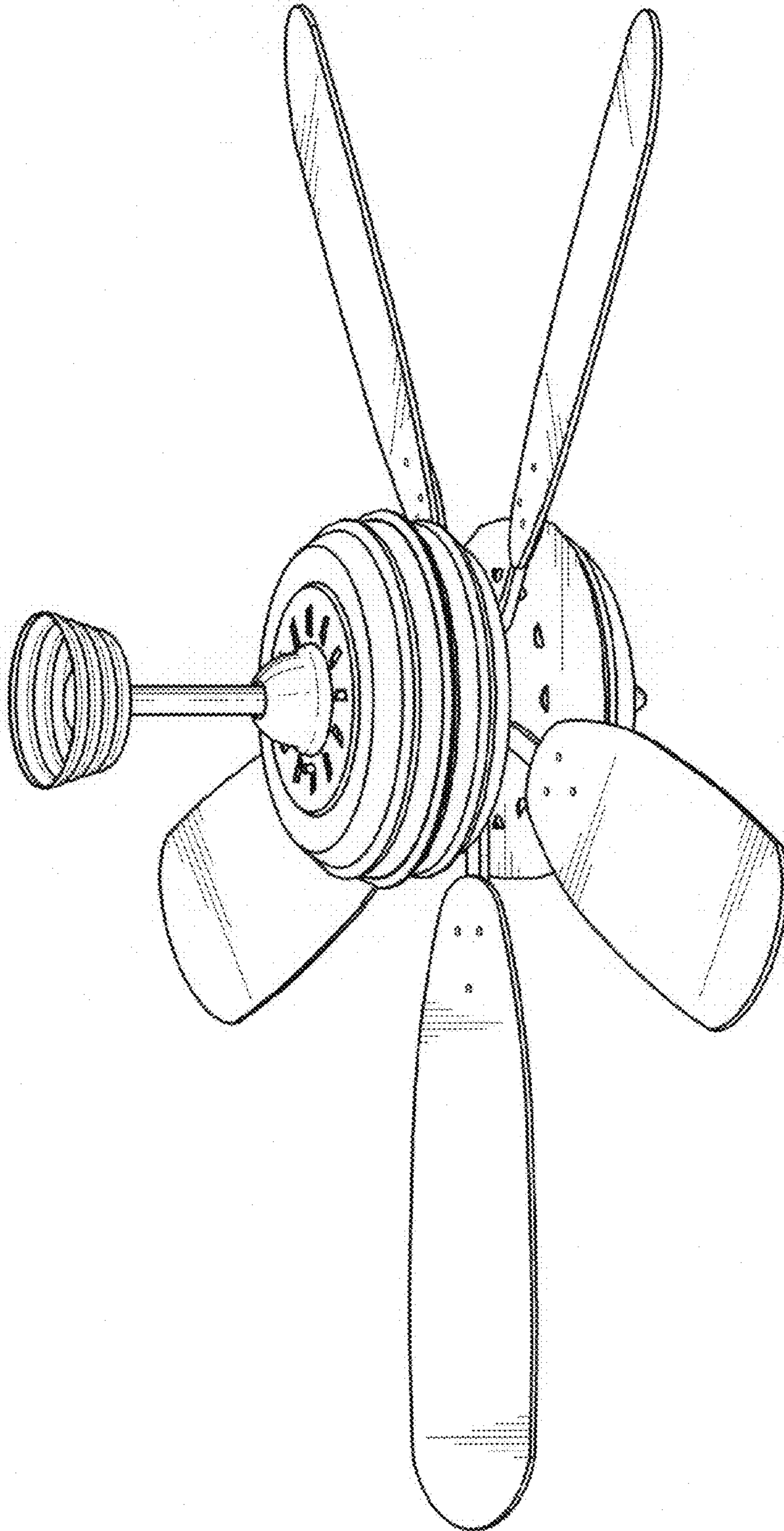


FIG. 2

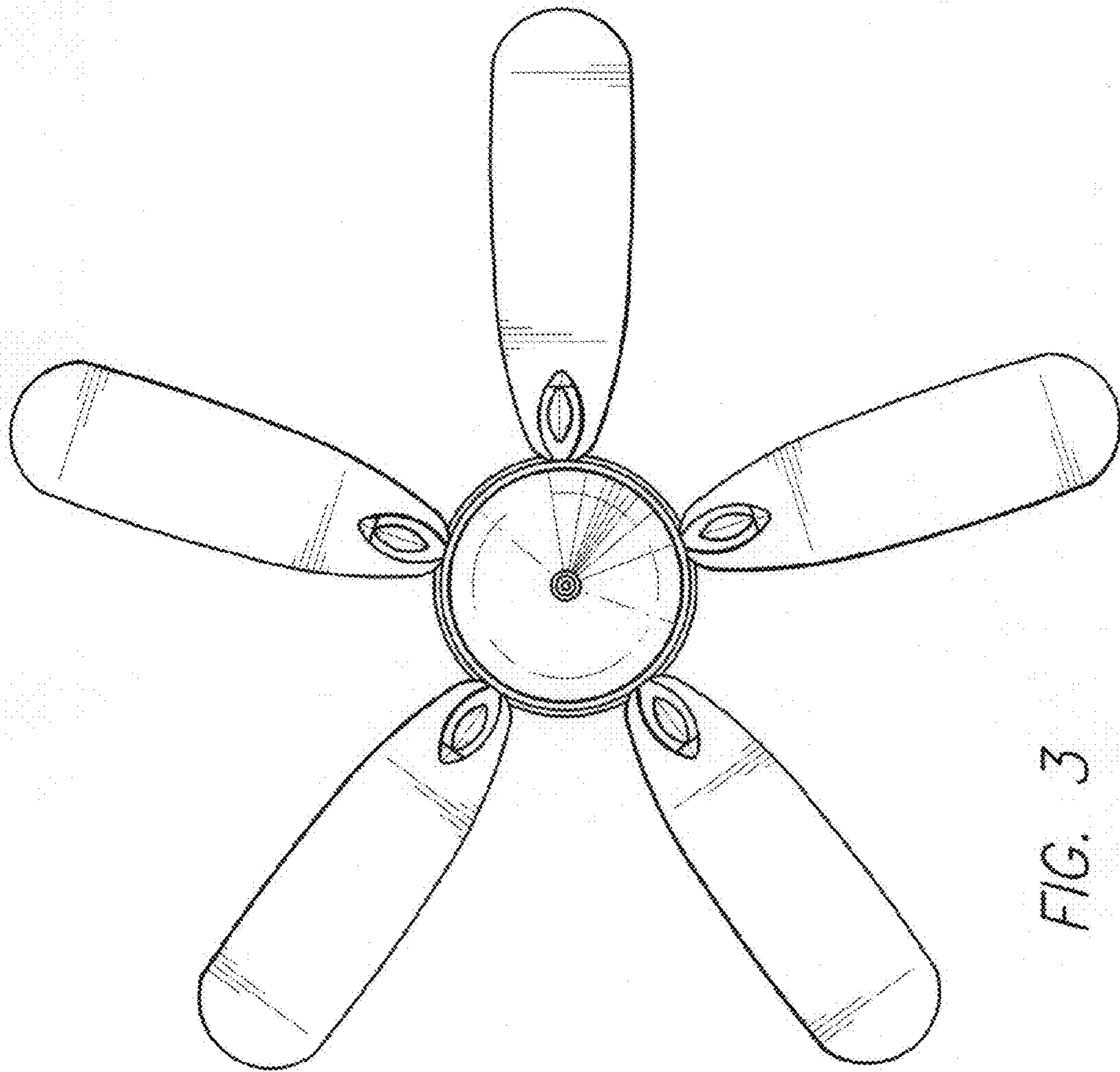


FIG. 3

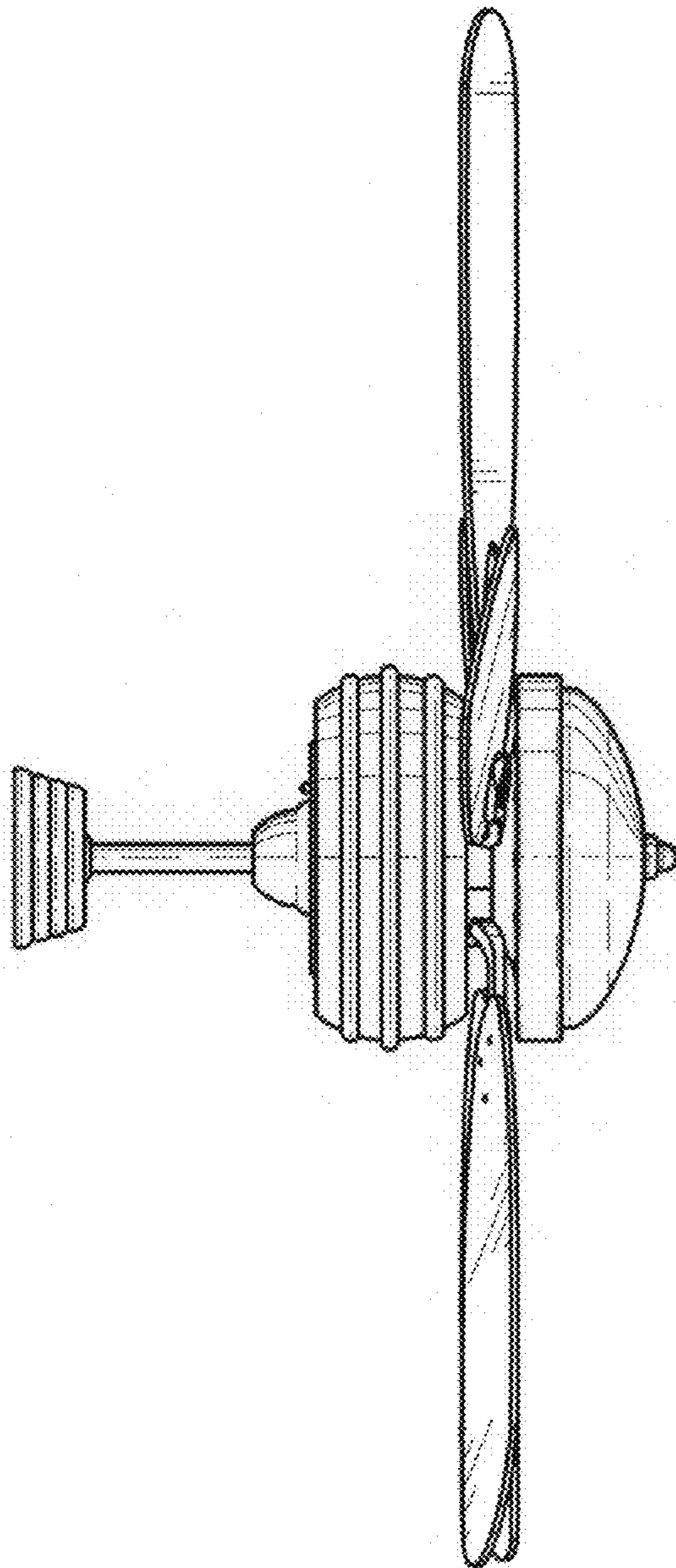


FIG. 4