



US00D545420S

(12) **United States Design Patent**  
**Jacobsen**

(10) **Patent No.:** **US D545,420 S**

(45) **Date of Patent:** **\*\* Jun. 26, 2007**

(54) **BURNER HOUSING FOR GAS HEATER**

(75) Inventor: **Tobias Jacobsen**, København (DK)

(73) Assignee: **The Design House ApS**, Vejle (DK)

(\*\*) Term: **14 Years**

(21) Appl. No.: **29/229,035**

(22) Filed: **May 3, 2005**

(51) **LOC (8) Cl.** ..... **23-03**

(52) **U.S. Cl.** ..... **D23/314**

(58) **Field of Classification Search** ..... D23/329,  
D23/330, 354, 351, 386, 370, 333, 328, 353,  
D23/361, 385; 237/79; 98/94.2; 62/262;  
D13/102; 392/376

See application file for complete search history.

(56) **References Cited**

**U.S. PATENT DOCUMENTS**

- D195,878 S \* 8/1963 Zimmerman ..... D23/328
- D283,836 S \* 5/1986 Surber et al. .... D13/102
- D298,771 S \* 11/1988 DeMars ..... D23/314

- D330,248 S \* 10/1992 Chagnot et al. .... D23/330
- D338,709 S \* 8/1993 Lin ..... D23/370
- D349,338 S \* 8/1994 Crinion ..... D23/386
- D379,650 S \* 6/1997 Smith et al. .... D23/335
- 6,122,437 A \* 9/2000 Johnson ..... 392/376

\* cited by examiner

*Primary Examiner*—Louis S. Zarfes

*Assistant Examiner*—Anna K. Dworzecka

(74) *Attorney, Agent, or Firm*—Dykema Gossett PLLC

(57) **CLAIM**

The ornamental design of a burner housing for a gas heater, as shown and described.

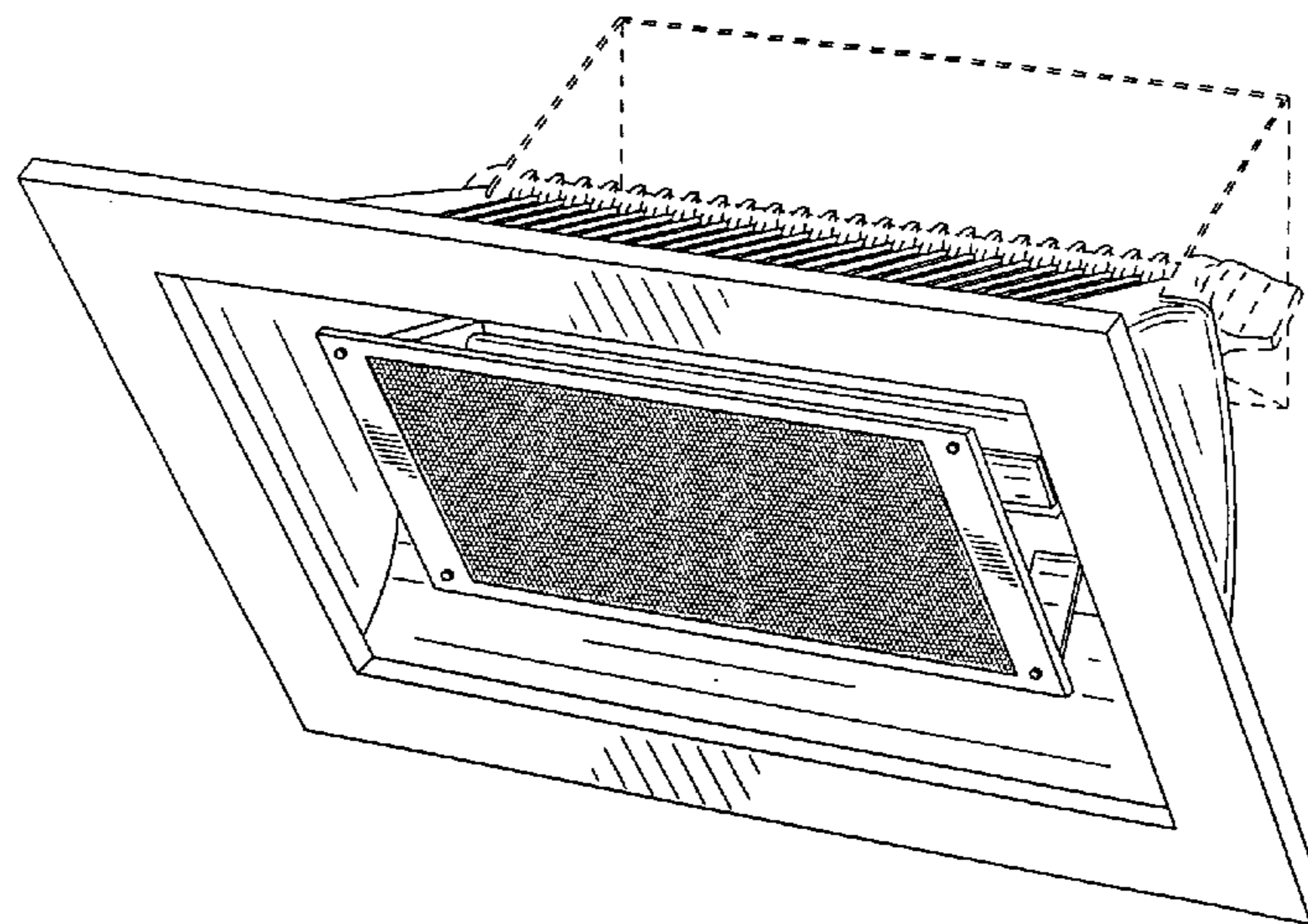
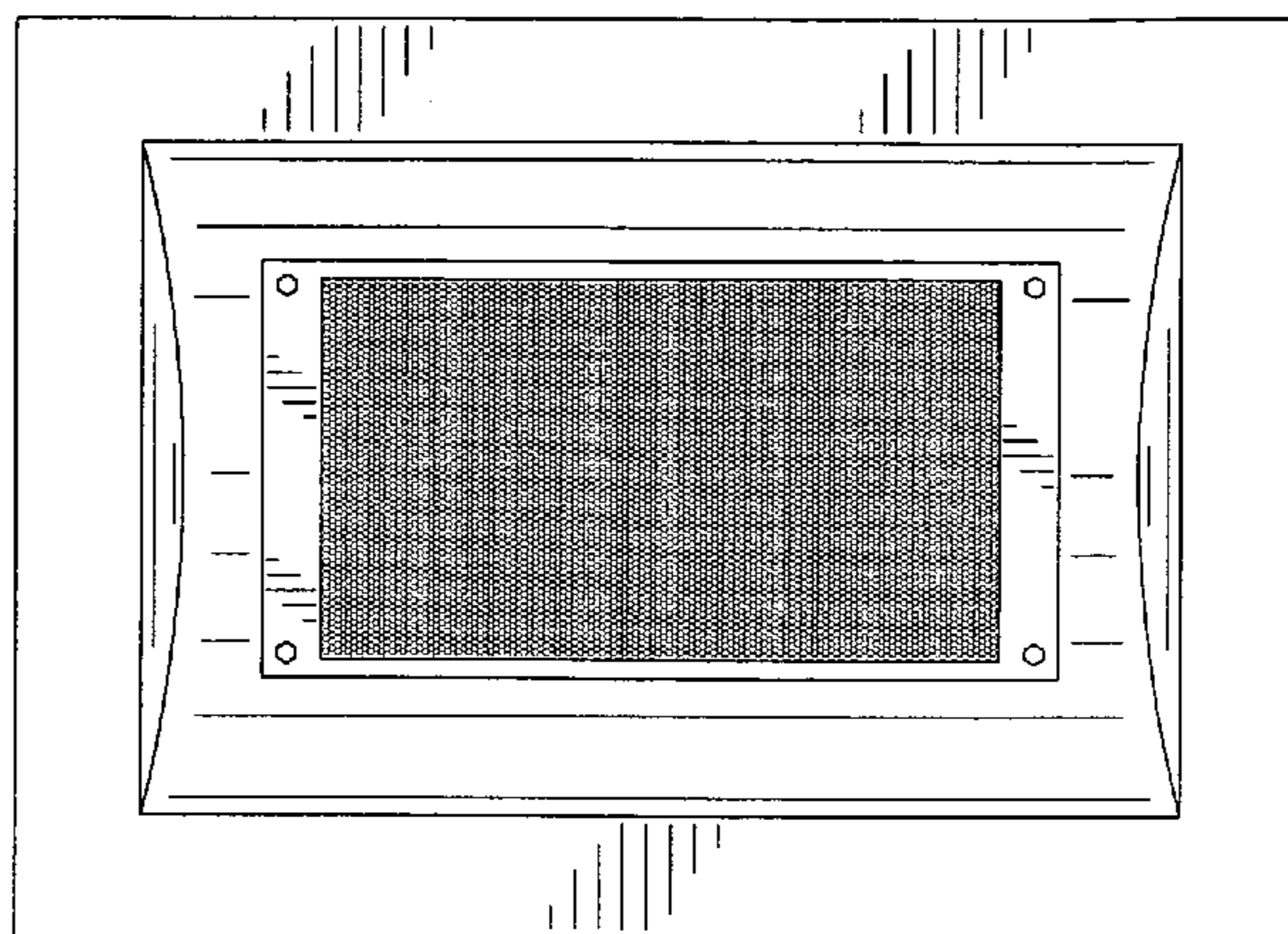
**DESCRIPTION**

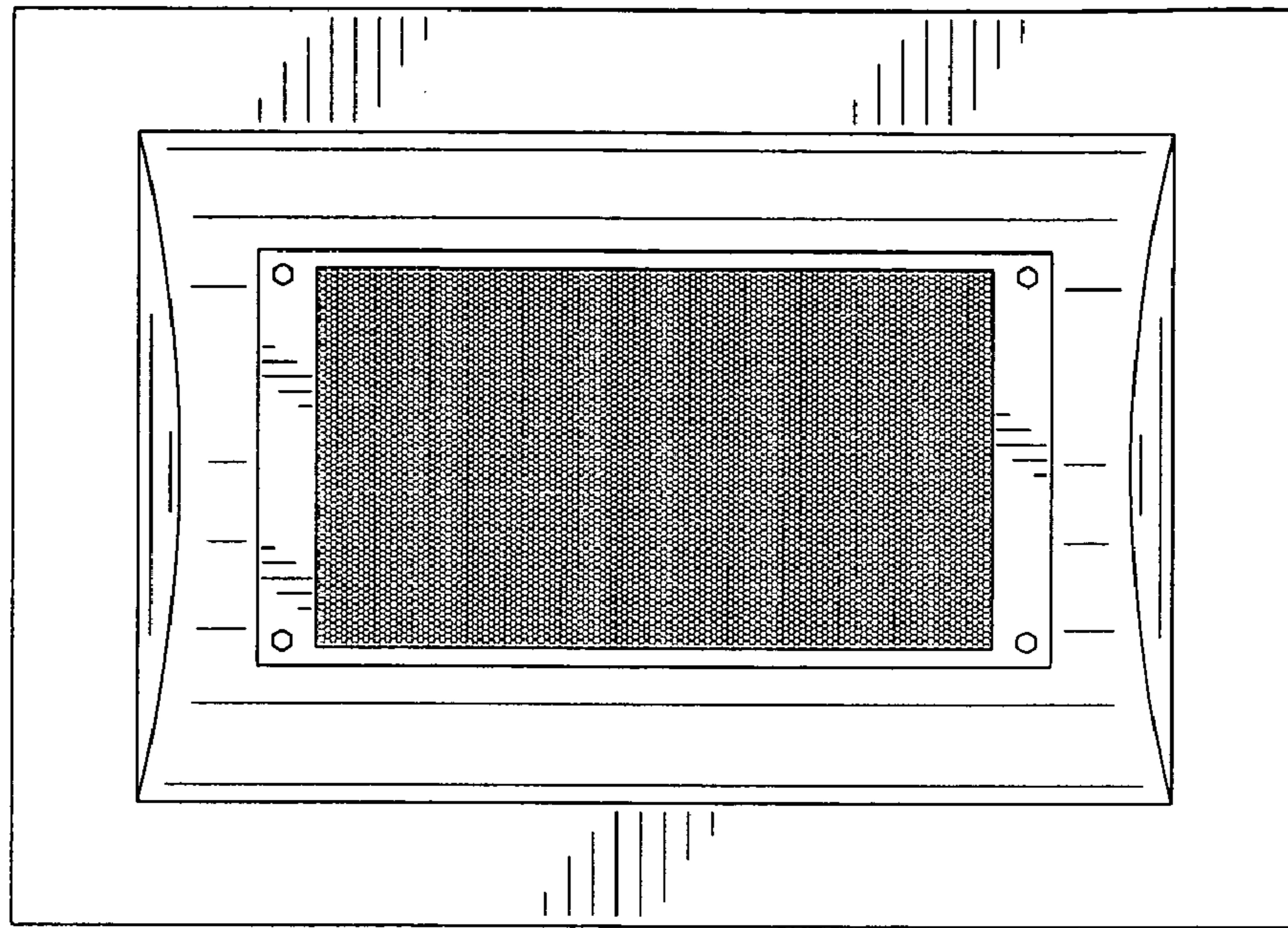
FIG. 1 is a front view of a heater burner housing for a gas heater in accordance with my new design; and,

FIG. 2 is a right front perspective view thereof, a corresponding left front perspective view being a mirror image.

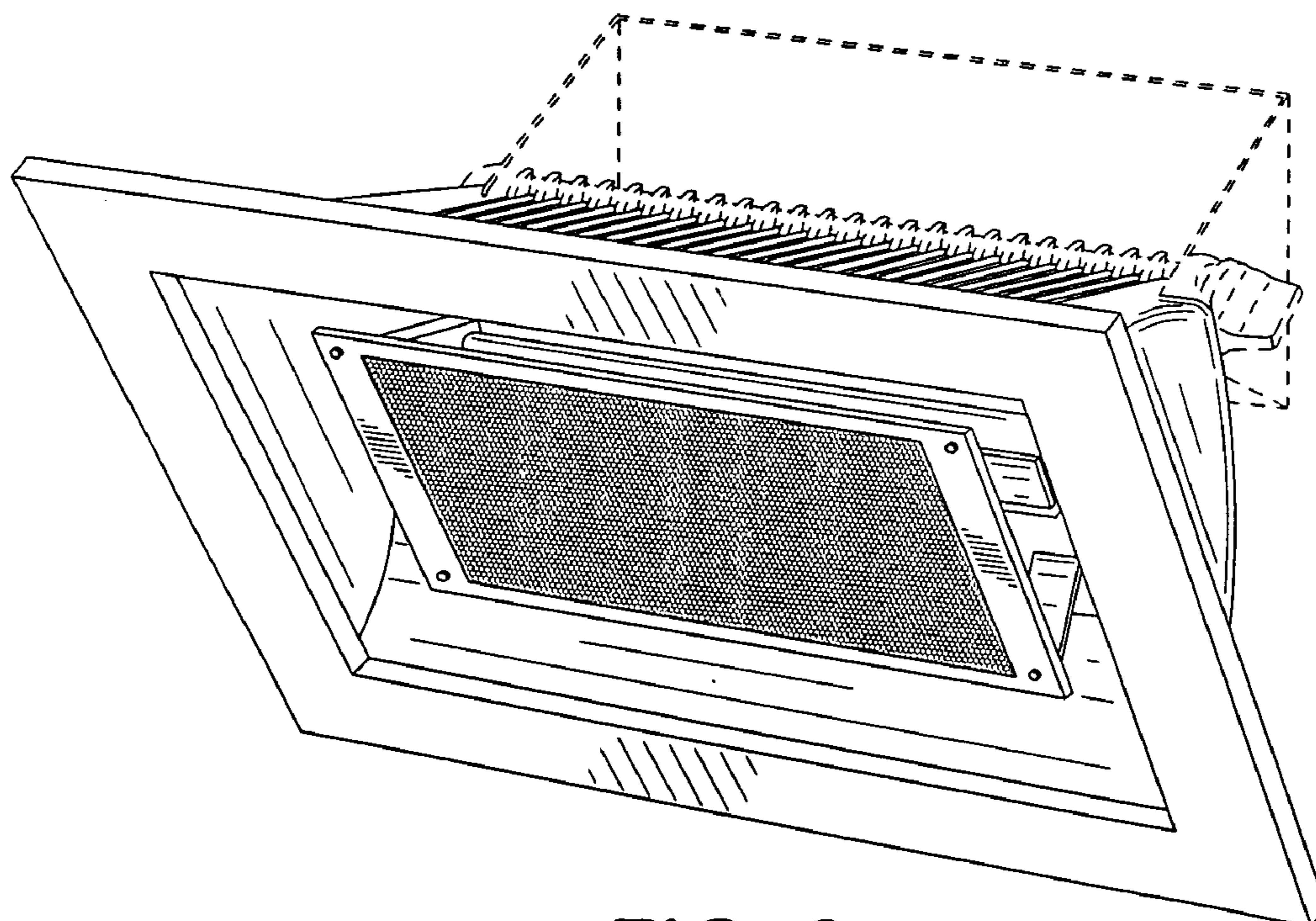
The broken lines are included for the purpose of illustrating only and form no part of the claimed design.

**1 Claim, 1 Drawing Sheet**





**FIG. 1**



**FIG. 2**