

US00D545416S

(12) **United States Design Patent**
Maruhashi et al.

(10) **Patent No.:** **US D545,416 S**
(45) **Date of Patent:** **** Jun. 26, 2007**

(54) **LAVATORY**

2,767,407 A * 10/1956 Weiss D23/284

(75) Inventors: **Masahiro Maruhashi**, Kitakyushu (JP);
Rie Yokoyama, Kitakyushu (JP)

* cited by examiner

(73) Assignee: **Toto Ltd.**, Kitakyushu, Fukuoka-Pref.
(JP)

Primary Examiner—Robert A. Delehanty

(74) *Attorney, Agent, or Firm*—Birch, Stewart, Kolasch, and
Birch, LLP

(**) Term: **14 Years**

(57) **CLAIM**

(21) Appl. No.: **29/265,677**

The ornamental design for a lavatory, as shown and
described.

(22) Filed: **Sep. 7, 2006**

(30) **Foreign Application Priority Data**

DESCRIPTION

Jun. 9, 2006 (JP) 2006-014955

FIG. 1 is a perspective view of the top, front and right side
of a lavatory showing our new design;

(51) **LOC (8) Cl.** **23-02**

FIG. 2 is a top plan view thereof;

(52) **U.S. Cl.** **D23/293.1**

FIG. 3 is a front view thereof;

(58) **Field of Classification Search** D23/270–273,
D23/284–287, 289, 291–293.1, 303, 308;
4/619, 630–631, 637, 661; D21/524

FIG. 4 is a left side view thereof;

FIG. 5 is a right side view thereof;

See application file for complete search history.

FIG. 6 is a rear view thereof;

(56) **References Cited**

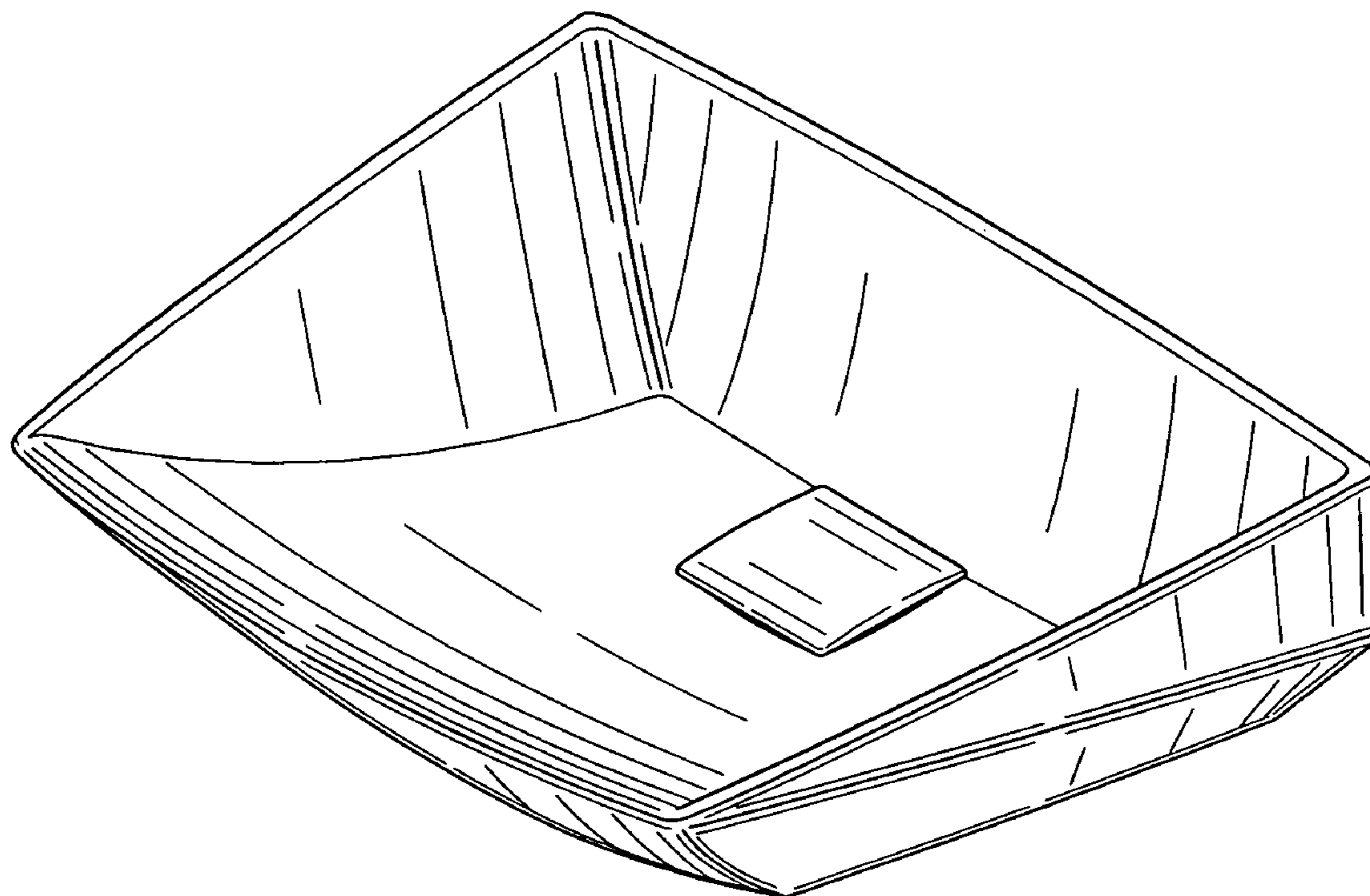
FIG. 7 is a bottom view thereof; and,

FIG. 8 is a cross sectional view at 8-8 of FIG. 3 thereof.

U.S. PATENT DOCUMENTS

D177,587 S * 5/1956 Ponti D23/293.1

1 Claim, 5 Drawing Sheets



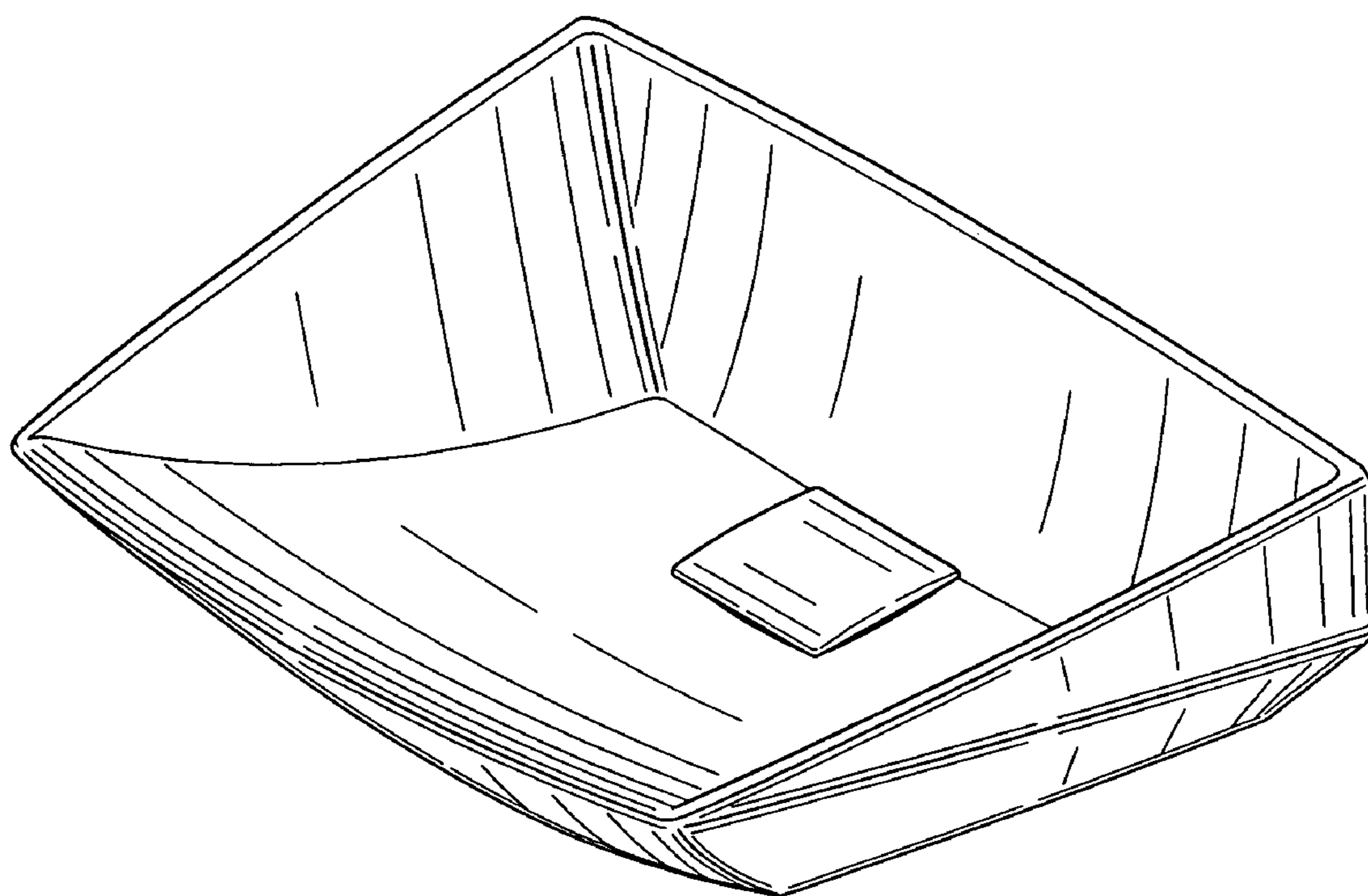


FIG. 1

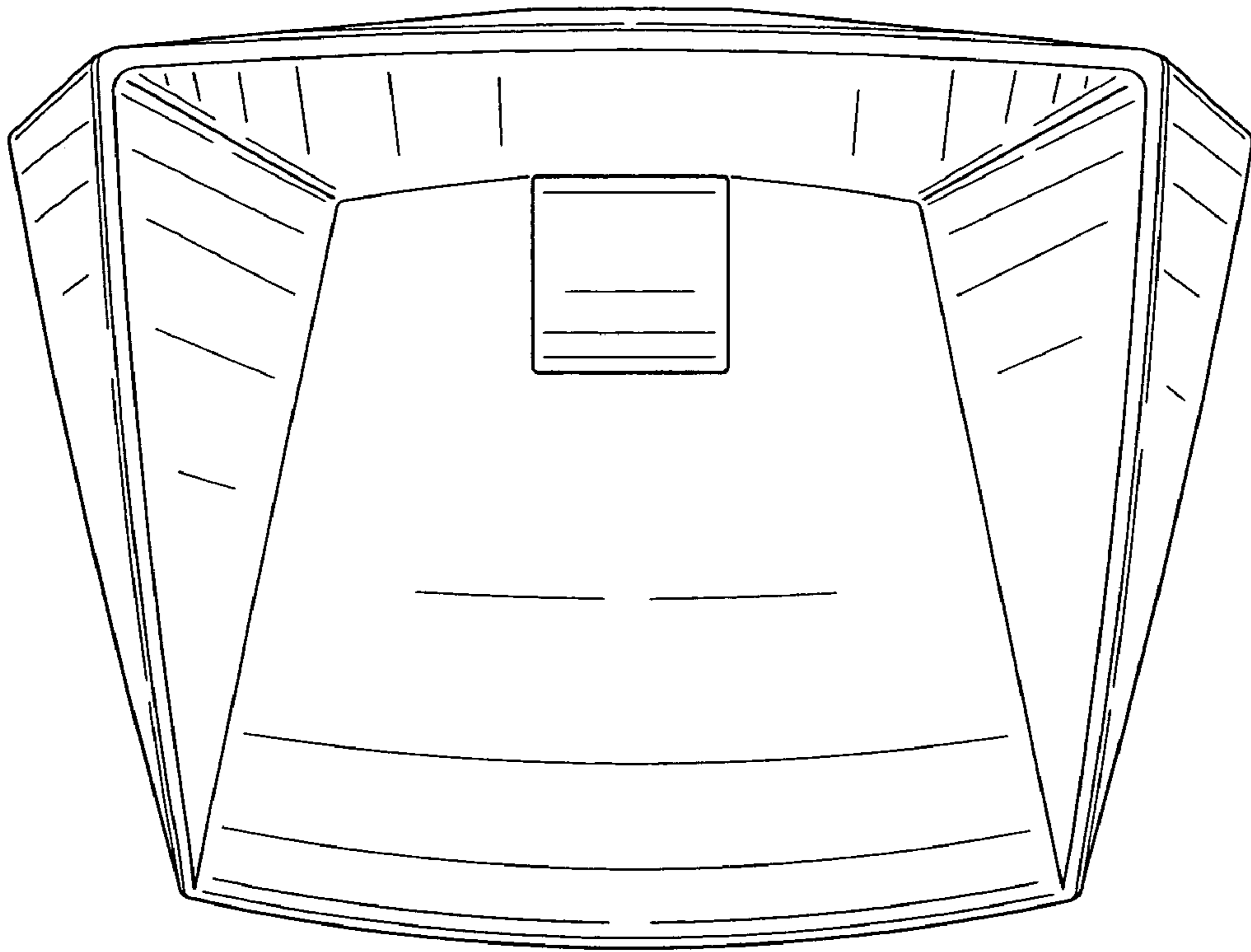


FIG. 2

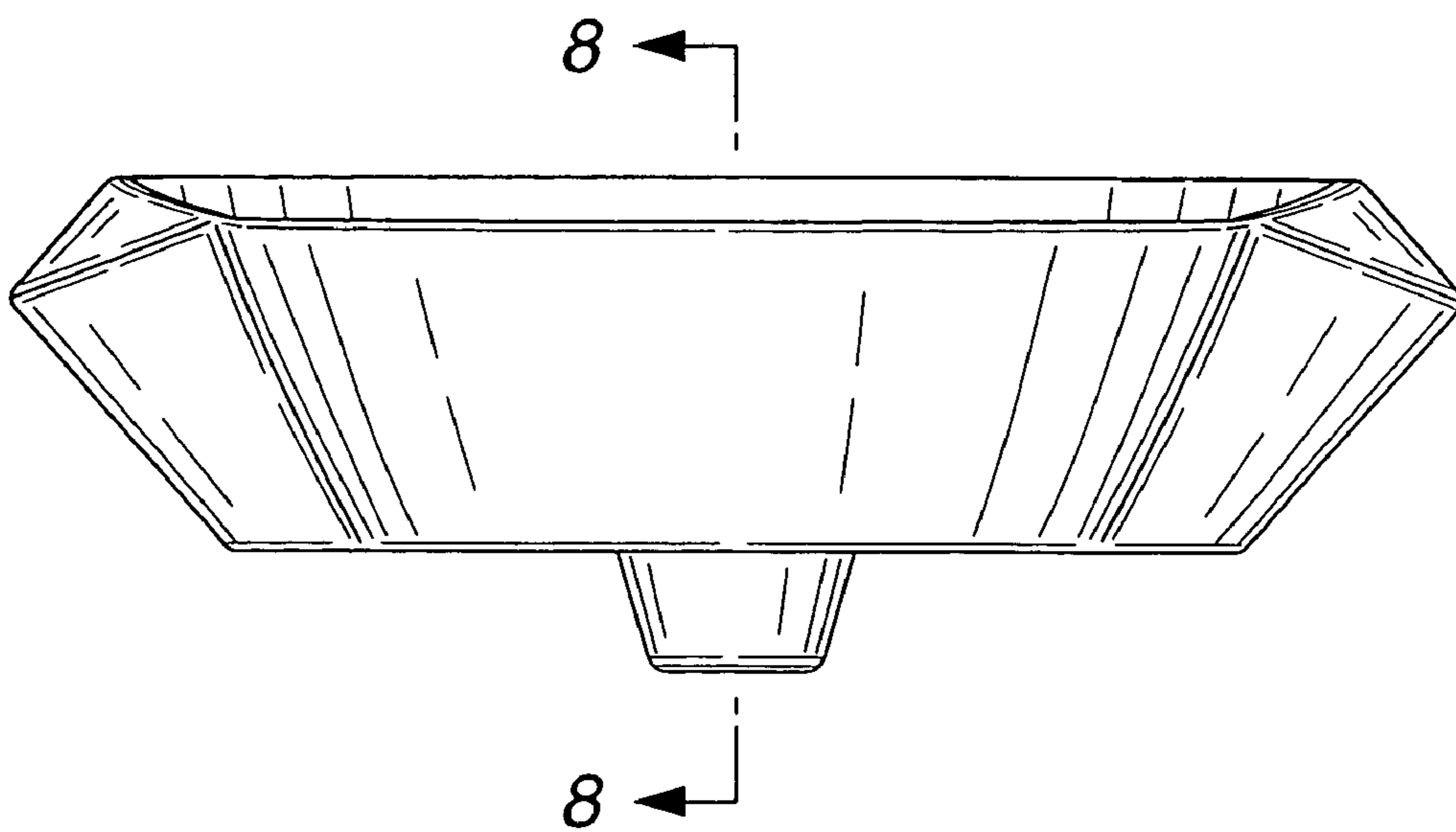


FIG. 3

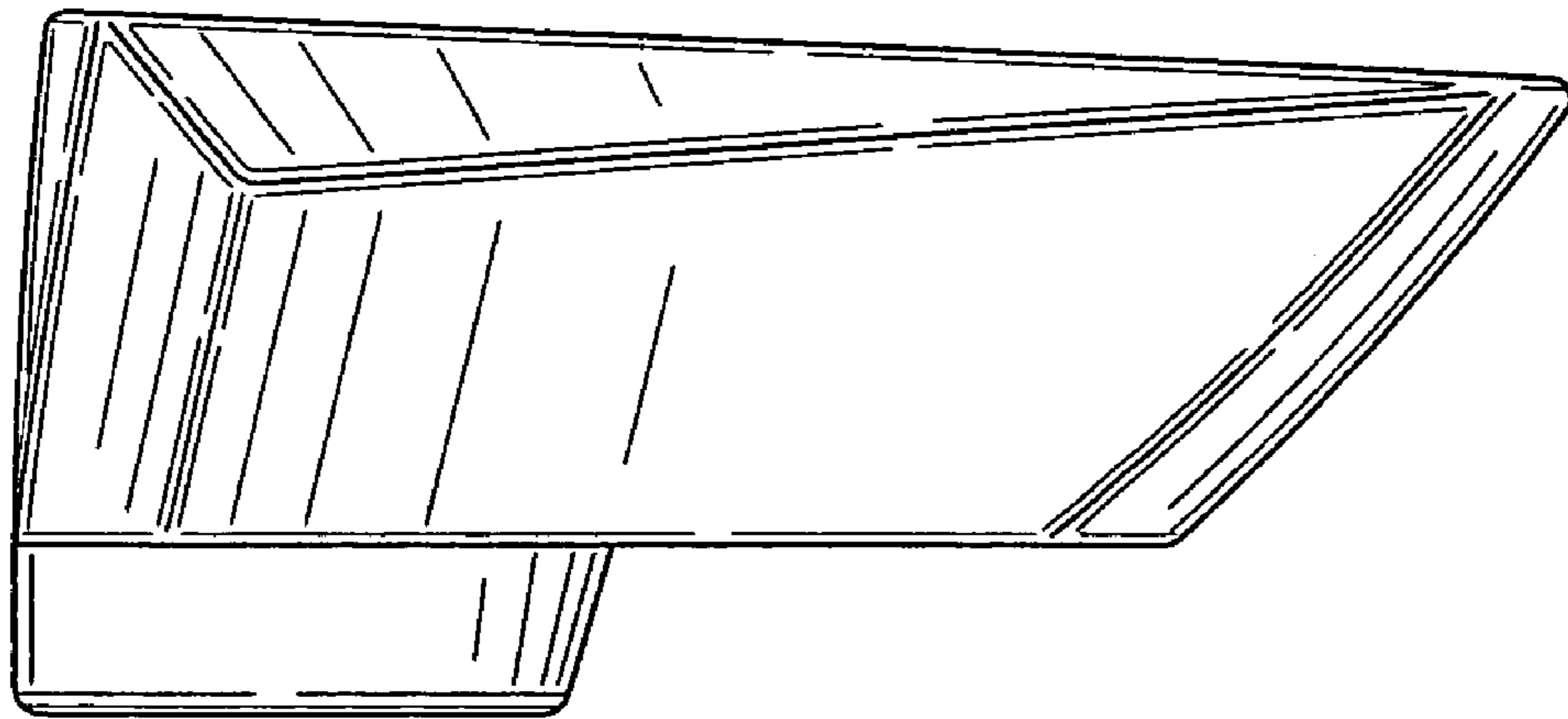


FIG. 4

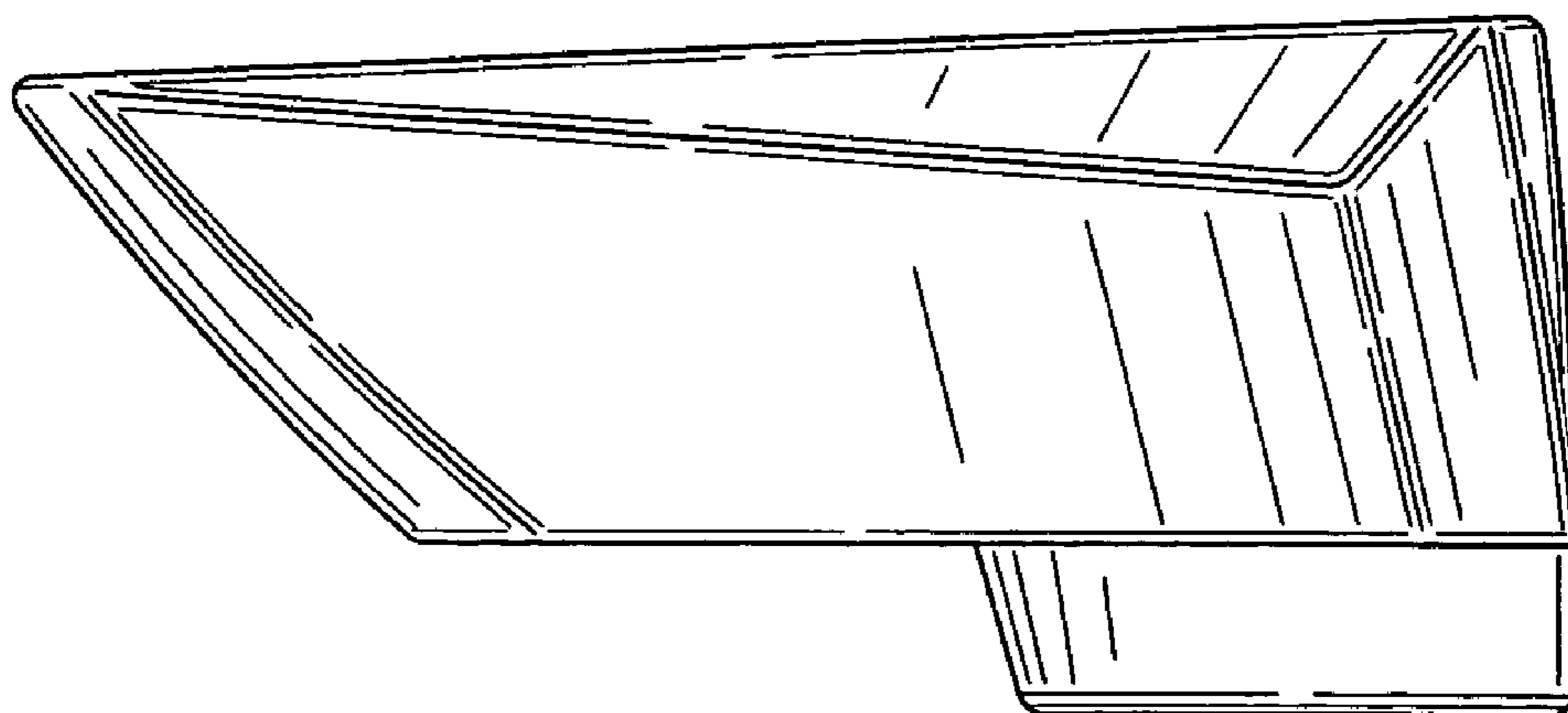


FIG. 5

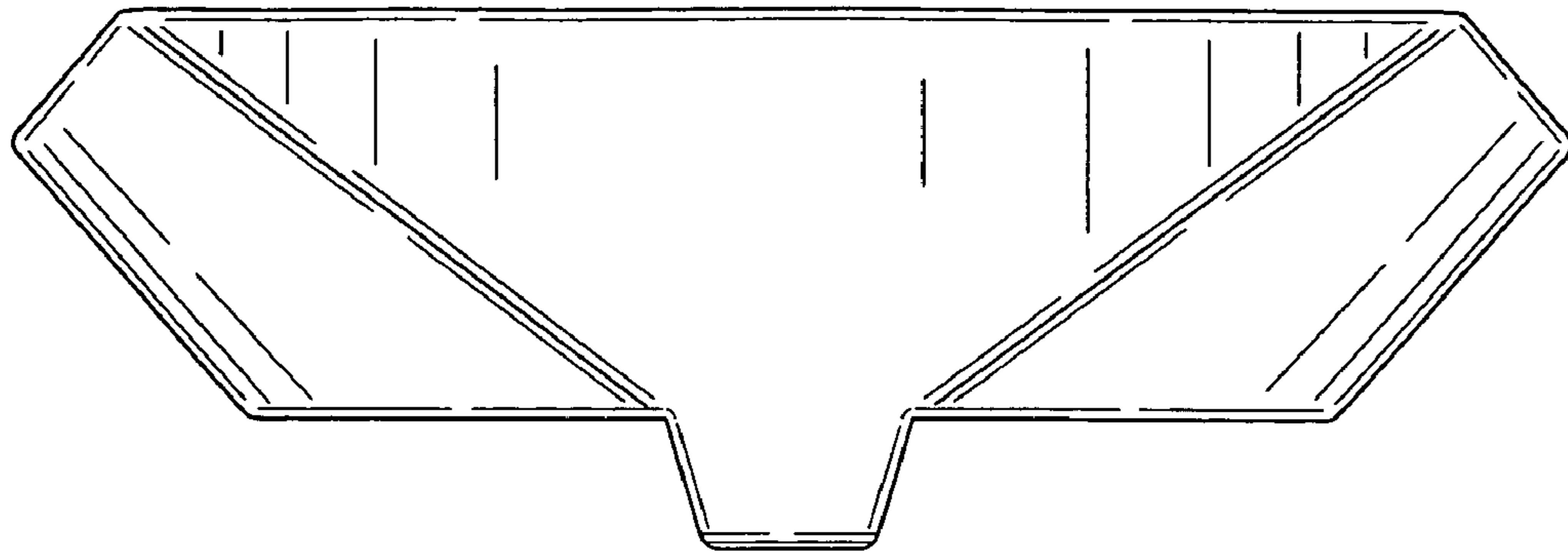


FIG. 6

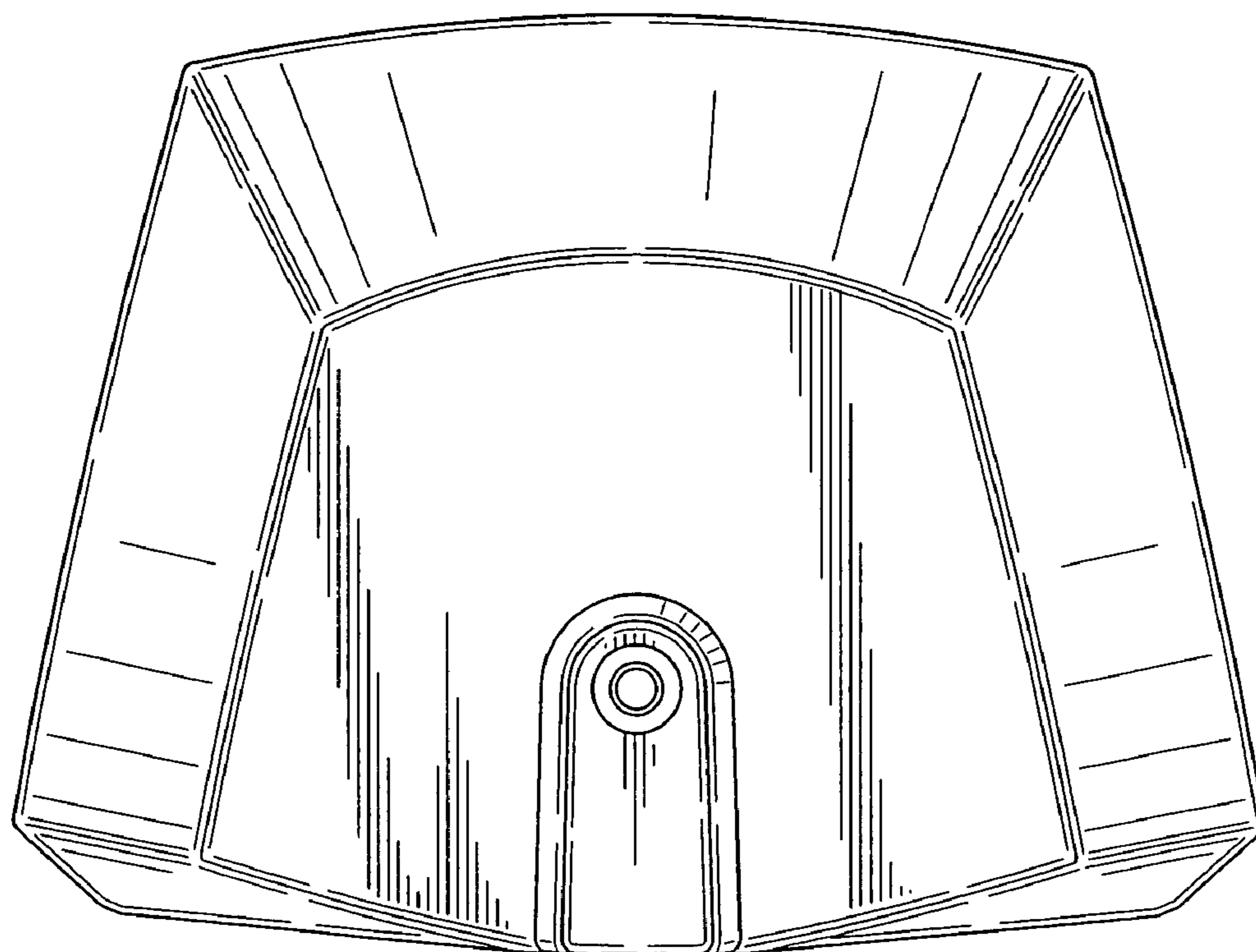


FIG. 7

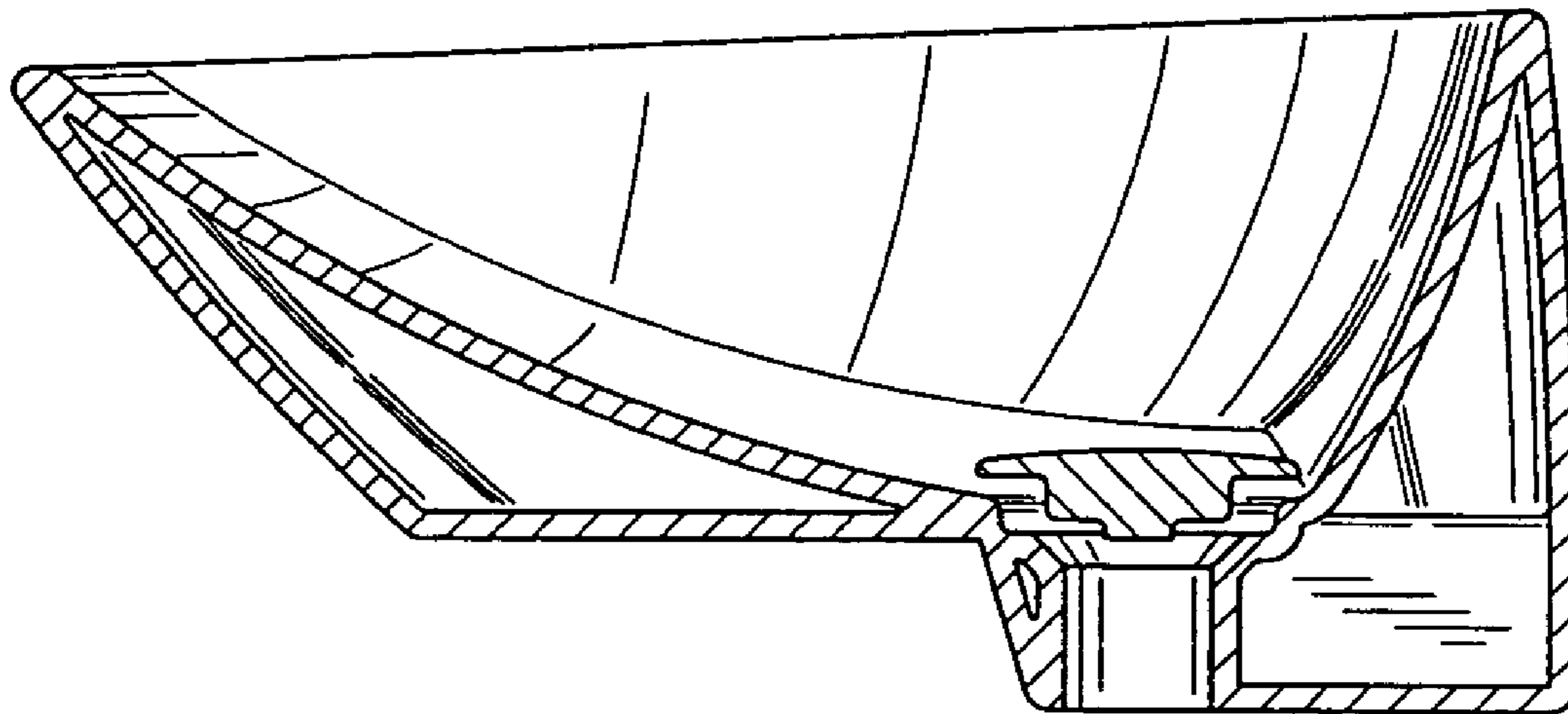


FIG. 8