

US00D545415S

(12) **United States Design Patent**
Tani et al.

(10) **Patent No.:** **US D545,415 S**

(45) **Date of Patent:** **** Jun. 26, 2007**

(54) **LAVATORY**

D507,043 S * 7/2005 Ferrer Beltran D23/293.1
D507,334 S * 7/2005 Ferrer Beltran D23/293.1

(75) Inventors: **Minoru Tani**, Kitakyushu (JP); **Ken Igarashi**, Kitakyushu (JP); **Yasuo Kikuchi**, Kitakyushu (JP)

* cited by examiner

(73) Assignee: **Toto Ltd.**, Kitakyushu, Fukuoka-Pref. (JP)

Primary Examiner—Robert A. Delehanty
(74) *Attorney, Agent, or Firm*—Birch, Stewart, Kolasch, and Birch, LLP

(**) Term: **14 Years**

(21) Appl. No.: **29/265,453**

(22) Filed: **Sep. 1, 2006**

(30) **Foreign Application Priority Data**

Mar. 7, 2006 (JP) 2006-005596

(51) **LOC (8) Cl.** **23-02**

(52) **U.S. Cl.** **D23/293.1**

(58) **Field of Classification Search** D23/270–273,
D23/284–287, 289, 291–293.1, 303, 308;
4/619, 630–631, 637, 661; D21/524

See application file for complete search history.

(56) **References Cited**

U.S. PATENT DOCUMENTS

D500,843 S * 1/2005 Takou D23/292

(57) **CLAIM**

The ornamental design for a lavatory, as shown and described.

DESCRIPTION

FIG. 1 is a perspective view of the top, front and right side of a lavatory showing our new design;

FIG. 2 is a top plan view thereof;

FIG. 3 is a front view thereof;

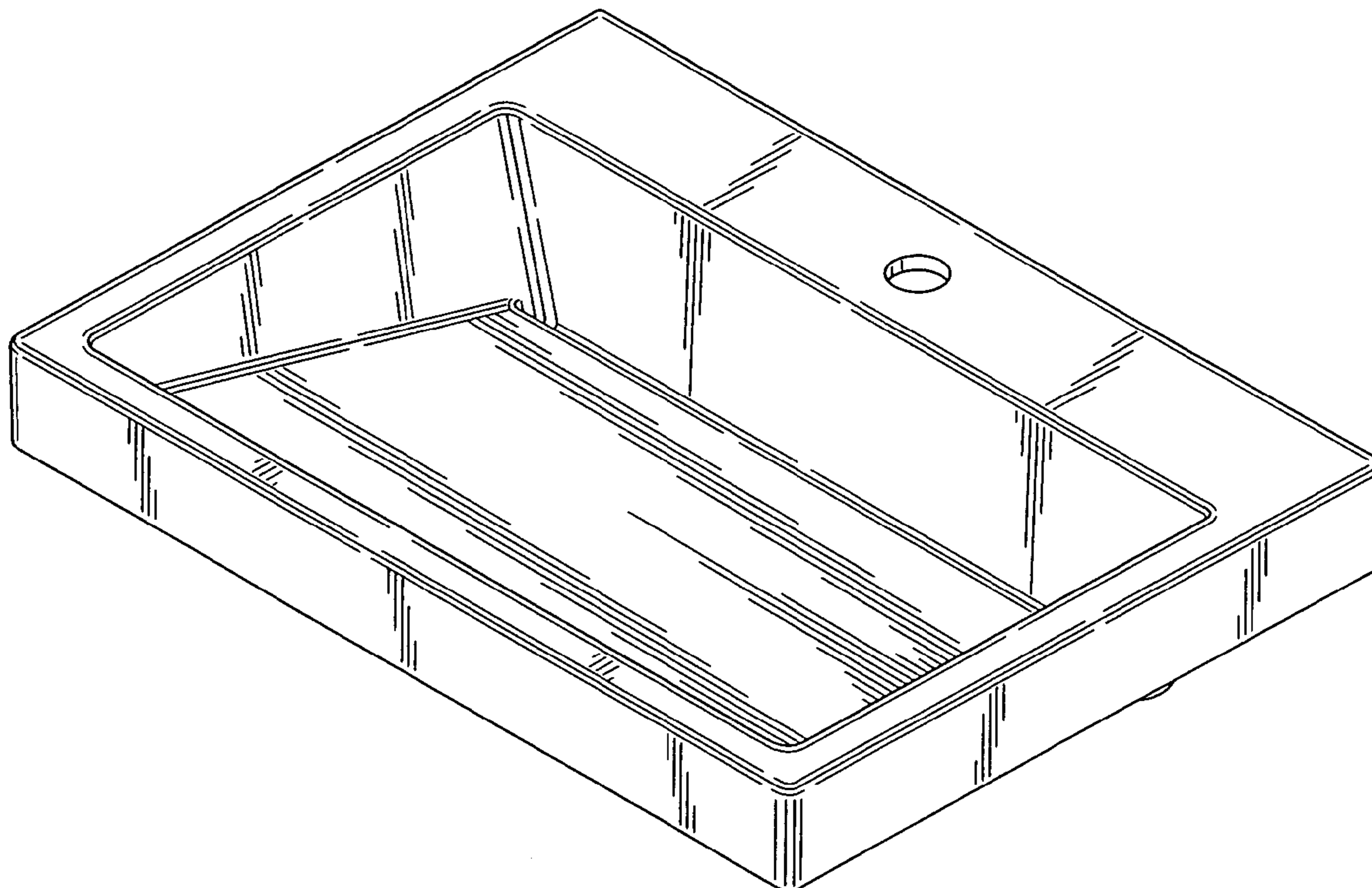
FIG. 4 is a left side view thereof;

FIG. 5 is a right side view thereof;

FIG. 6 is a rear view thereof; and,

FIG. 7 is a bottom view thereof.

1 Claim, 4 Drawing Sheets



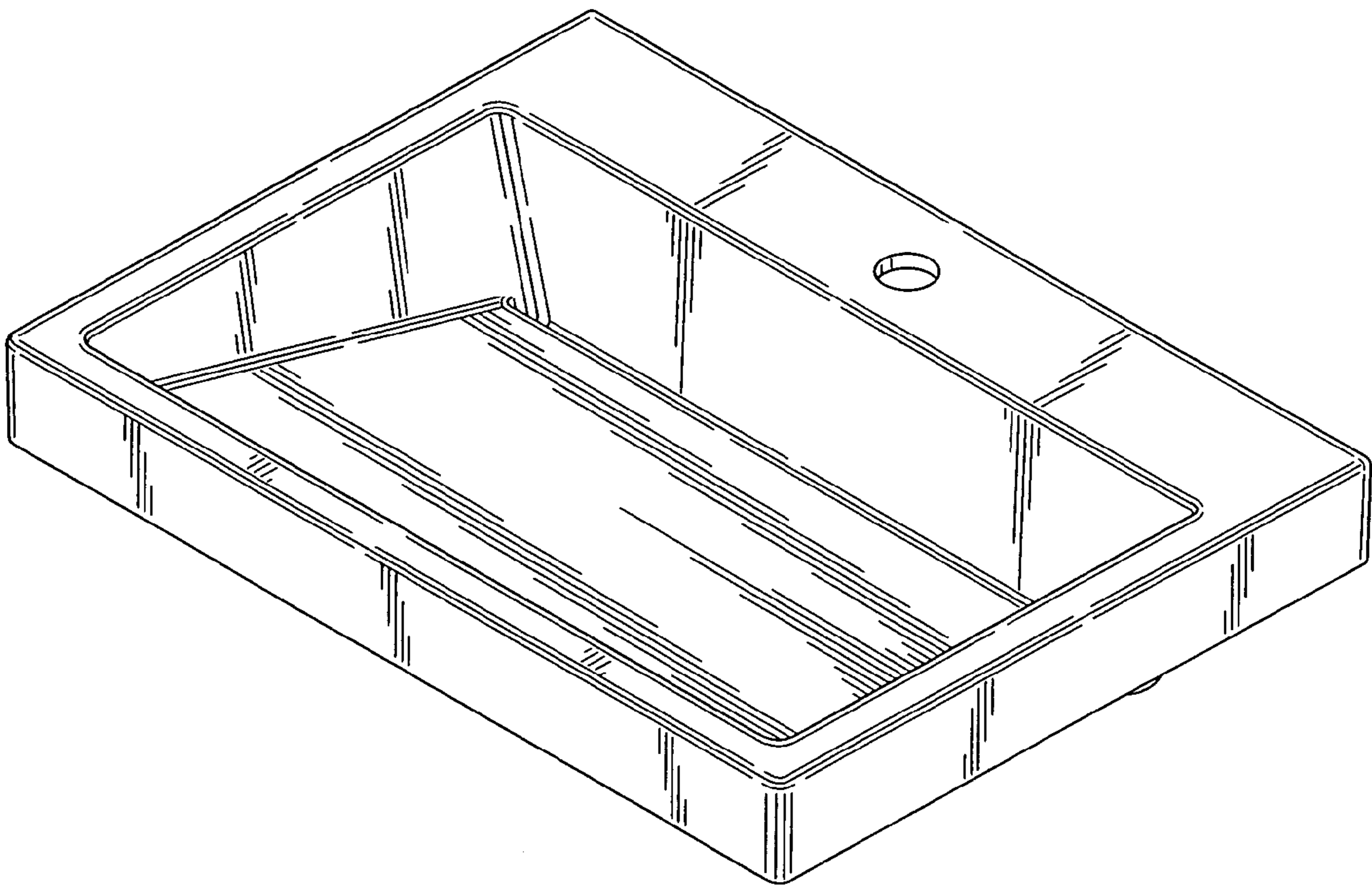


FIG. 1

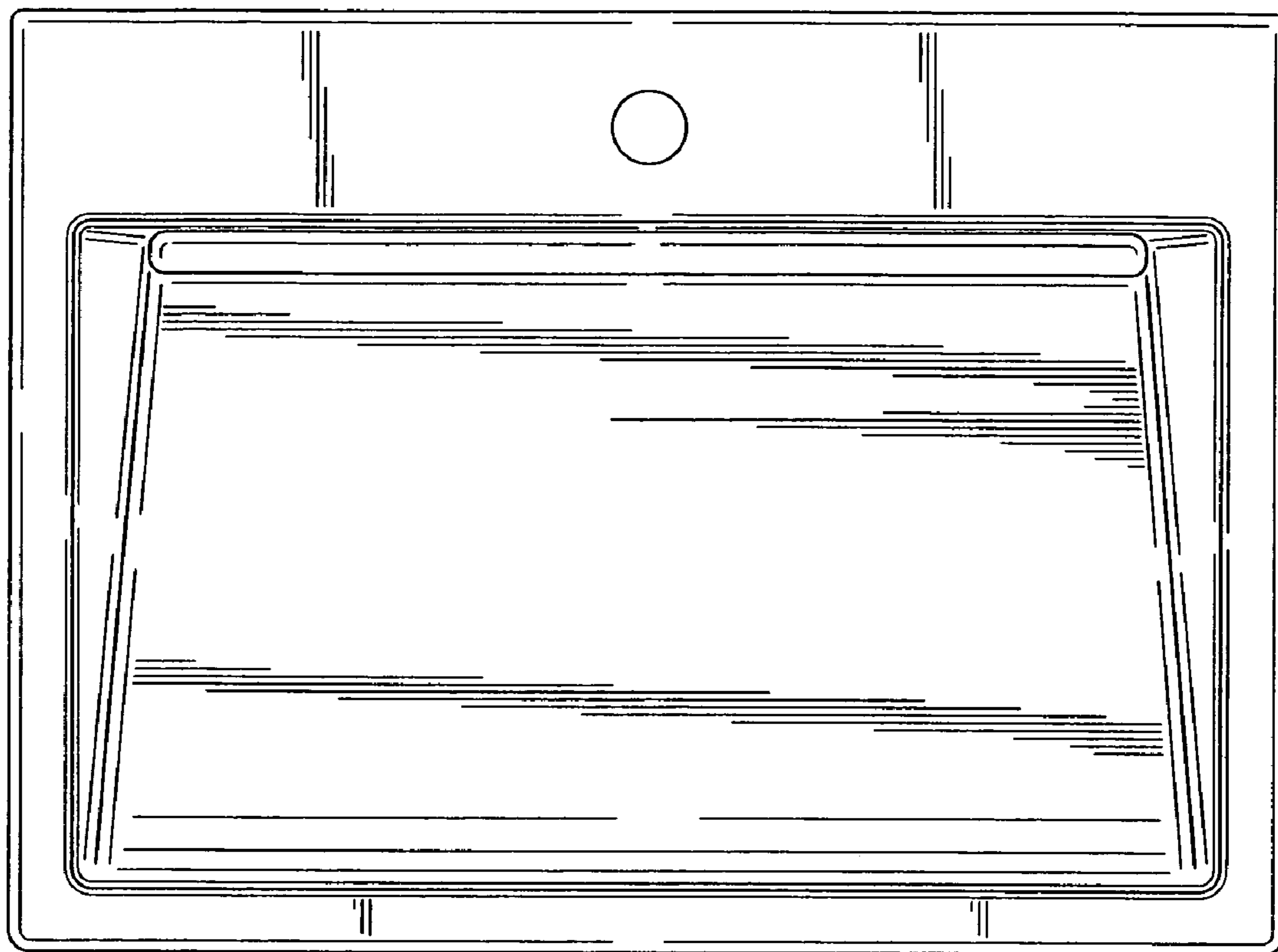


FIG. 2

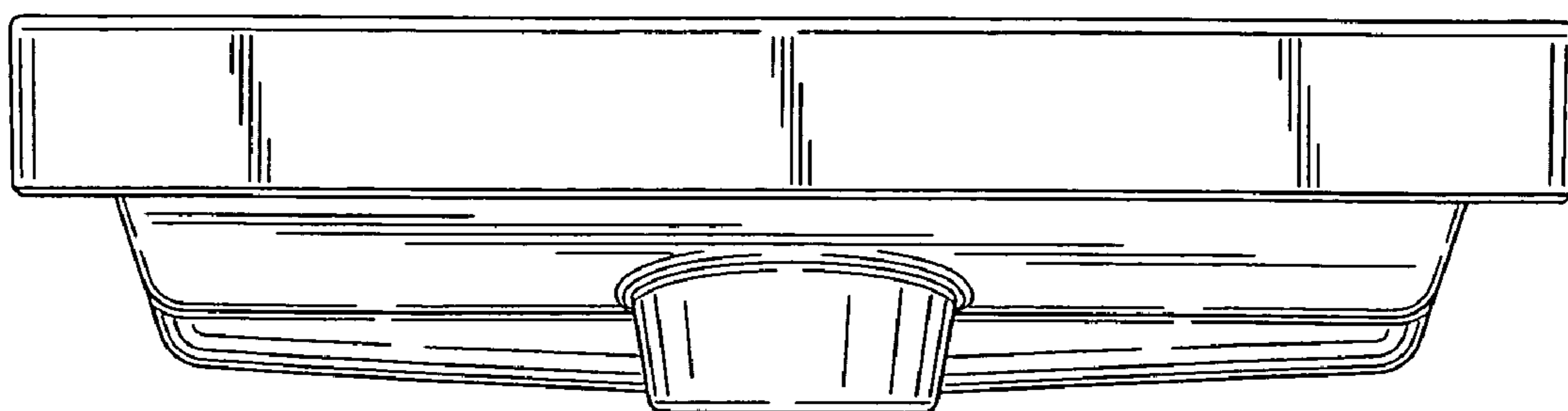


FIG. 3

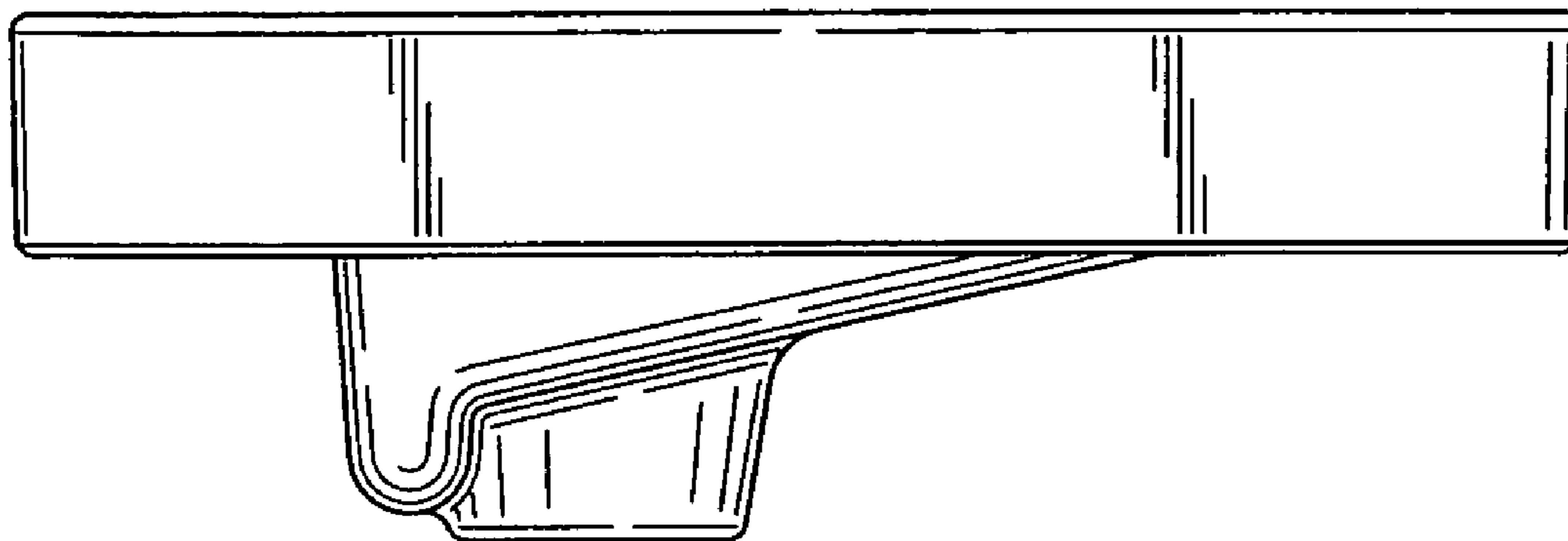


FIG. 4

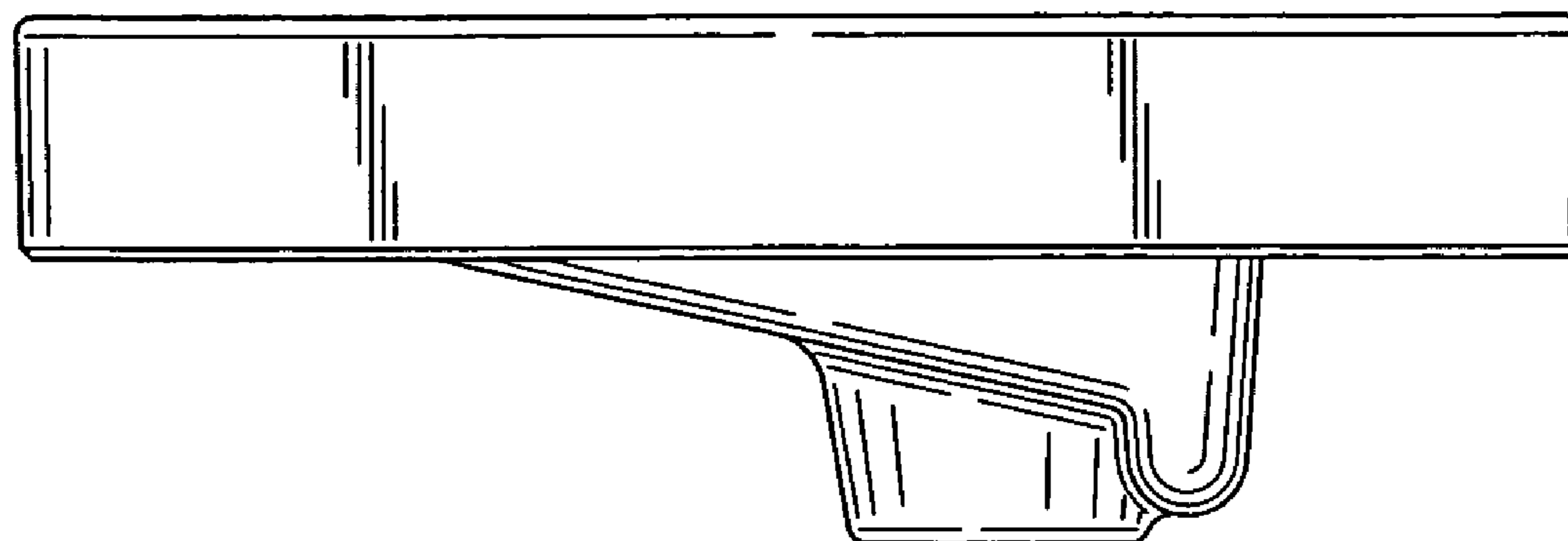


FIG. 5

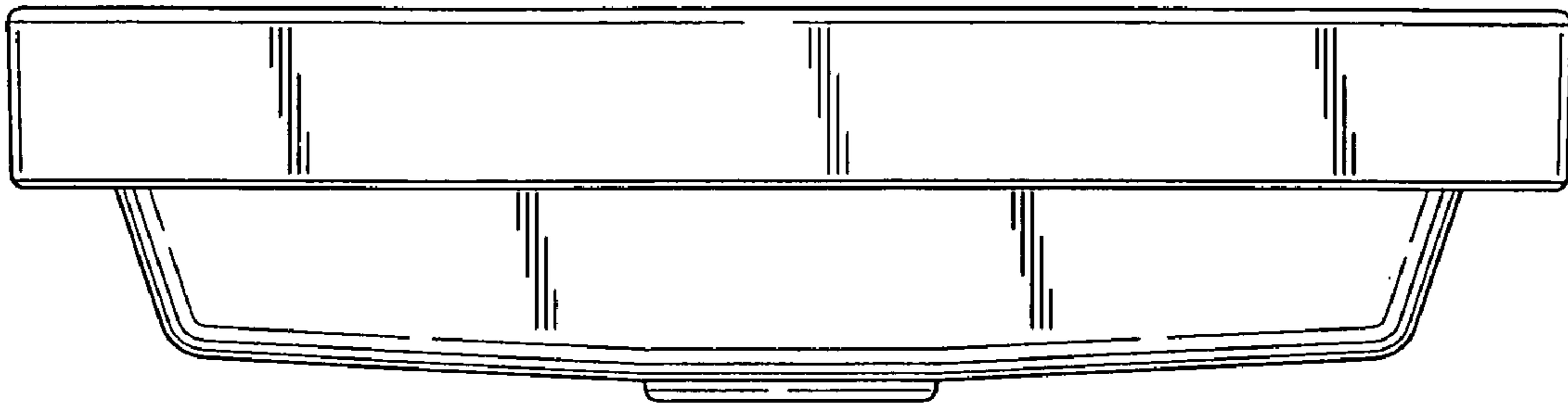


FIG. 6

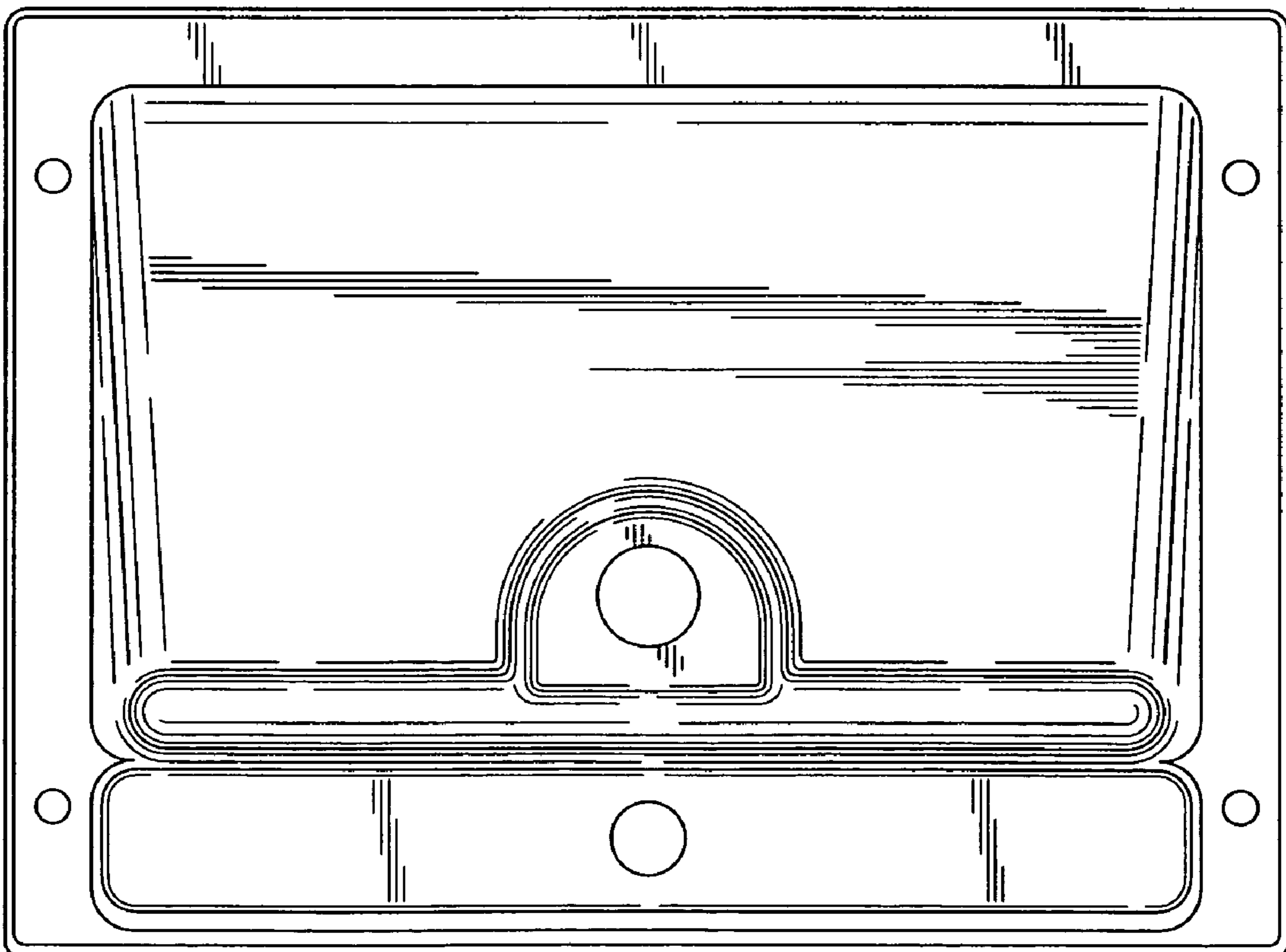


FIG. 7