

US00D545414S

(12) **United States Design Patent**  
**Maruhashi et al.**

(10) **Patent No.:** **US D545,414 S**

(45) **Date of Patent:** **\*\* Jun. 26, 2007**

(54) **LAVATORY**

D185,650 S \* 7/1959 Voorhees ..... D30/132  
D318,522 S \* 7/1991 Yvetot ..... D23/288  
D509,887 S \* 9/2005 Sutopo ..... D23/293.1

(75) Inventors: **Masahiro Maruhashi**, Kitakyushu (JP);  
**Rie Yokoyama**, Kitakyushu (JP)

\* cited by examiner

(73) Assignee: **Toto Ltd.**, Kitakyushu, Fukuoka-Pref.  
(JP)

*Primary Examiner*—Robert A. Delehanty  
(74) *Attorney, Agent, or Firm*—Birch, Stewart, Kolasch, and  
Birch, LLP

(\*\*) Term: **14 Years**

(21) Appl. No.: **29/265,273**

(57) **CLAIM**

(22) Filed: **Aug. 29, 2006**

The ornamental design for a lavatory, as shown and described.

(30) **Foreign Application Priority Data**

May 22, 2006 (JP) ..... 2006-012795

**DESCRIPTION**

(51) **LOC (8) Cl.** ..... **23-02**

FIG. 1 is a perspective view of the top, front and right side of a lavatory showing our new design;

(52) **U.S. Cl.** ..... **D23/293.1**

FIG. 2 is a top plan view thereof;

(58) **Field of Classification Search** ..... D23/270–273,  
D23/284–287, 289, 291–293.1, 303, 308;  
4/619, 630–631, 637, 661; D21/524

FIG. 3 is a front view thereof;

See application file for complete search history.

FIG. 4 is a left side view thereof;

FIG. 5 is a right side view thereof;

(56) **References Cited**

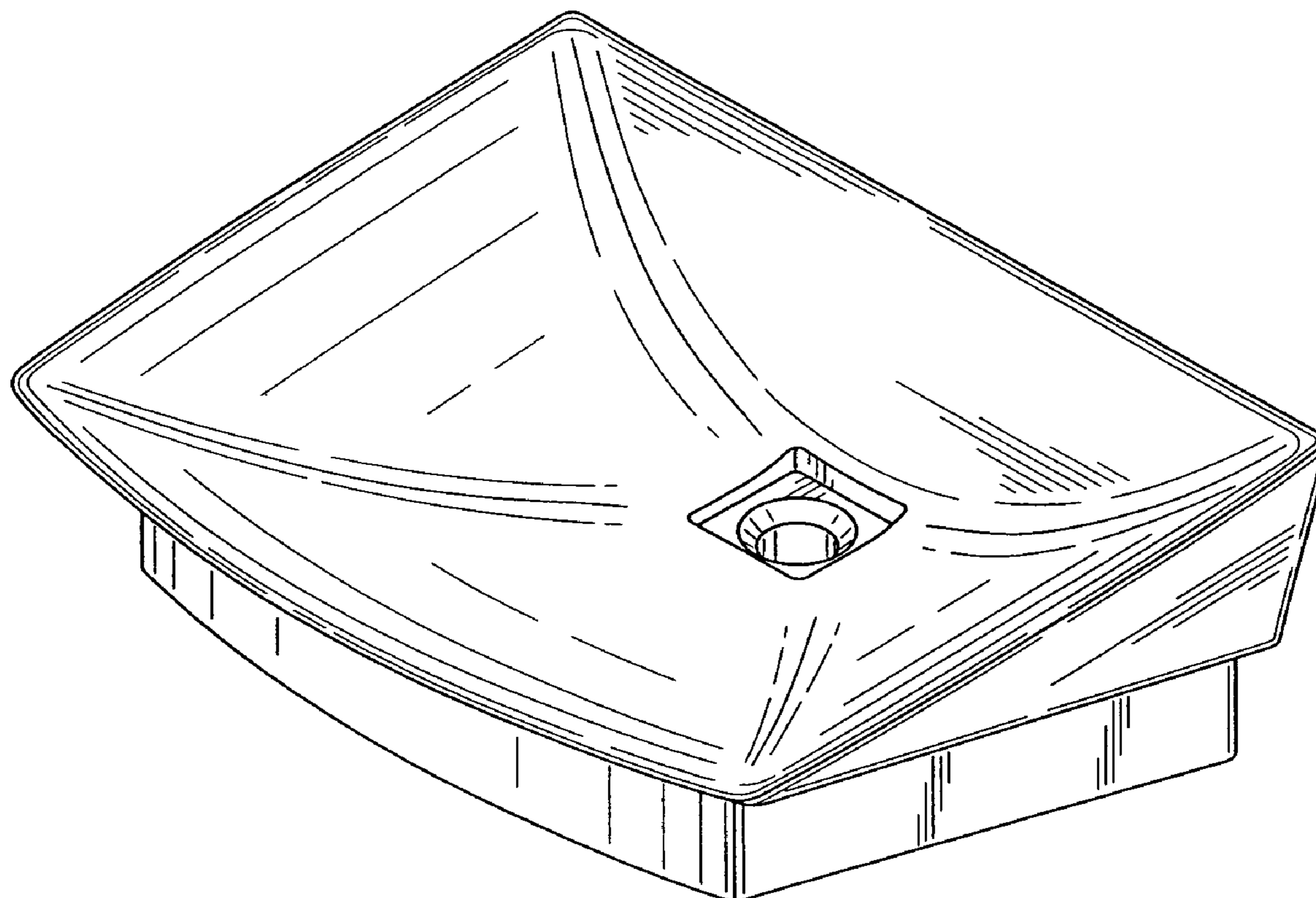
FIG. 6 is a rear view thereof; and,

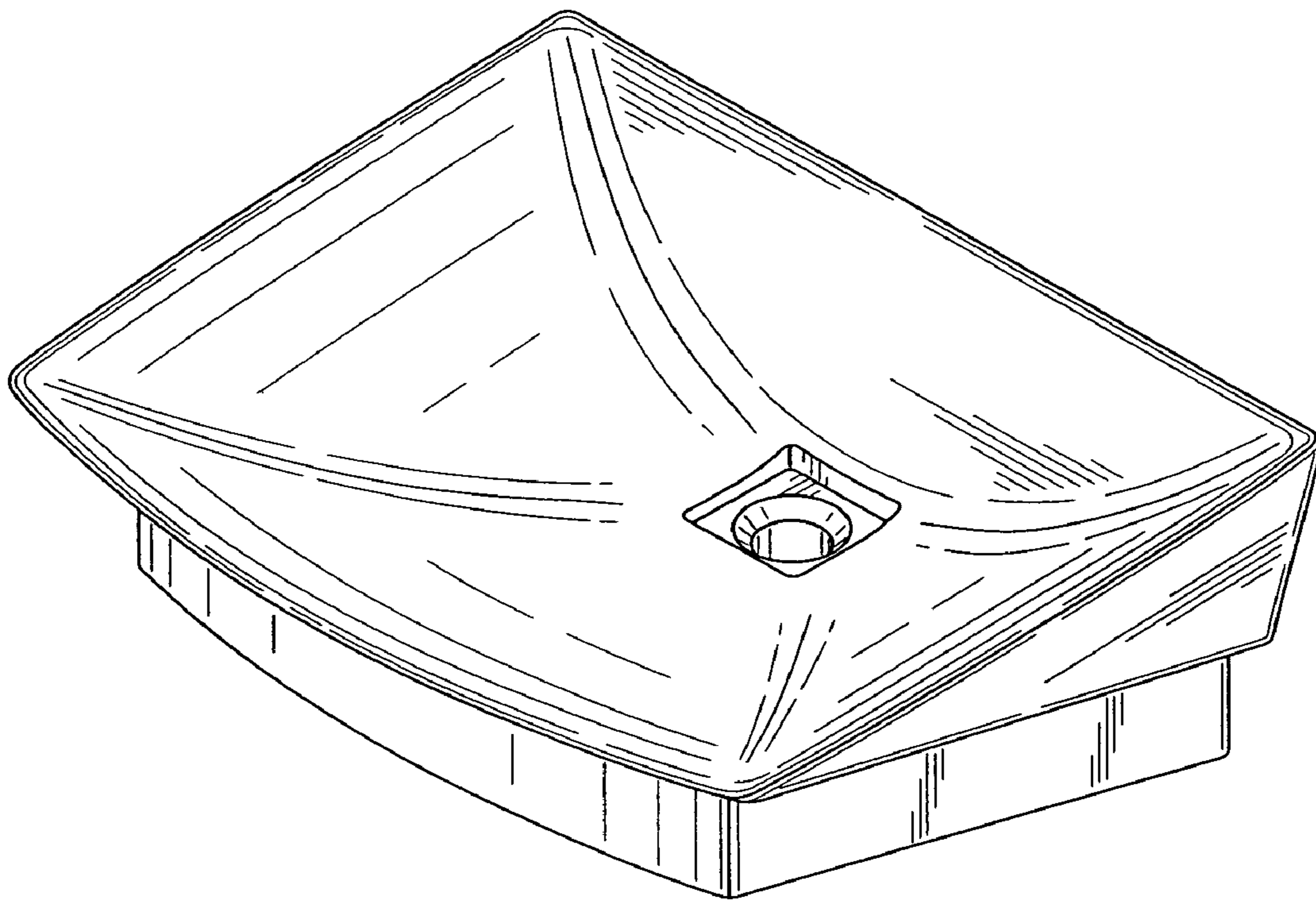
FIG. 7 is a bottom view thereof.

**U.S. PATENT DOCUMENTS**

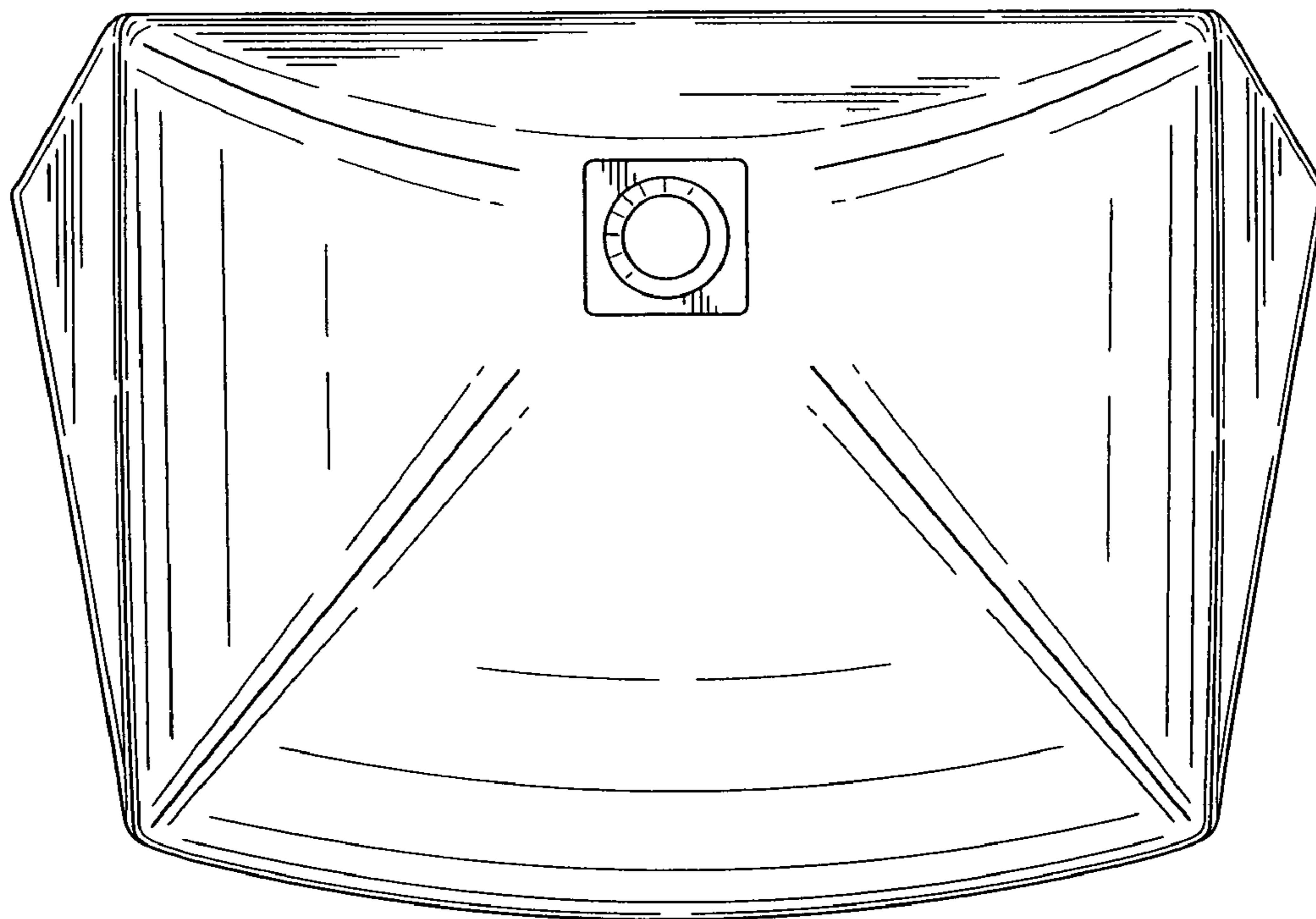
D177,587 S \* 5/1956 Ponti ..... D23/293.1

**1 Claim, 4 Drawing Sheets**

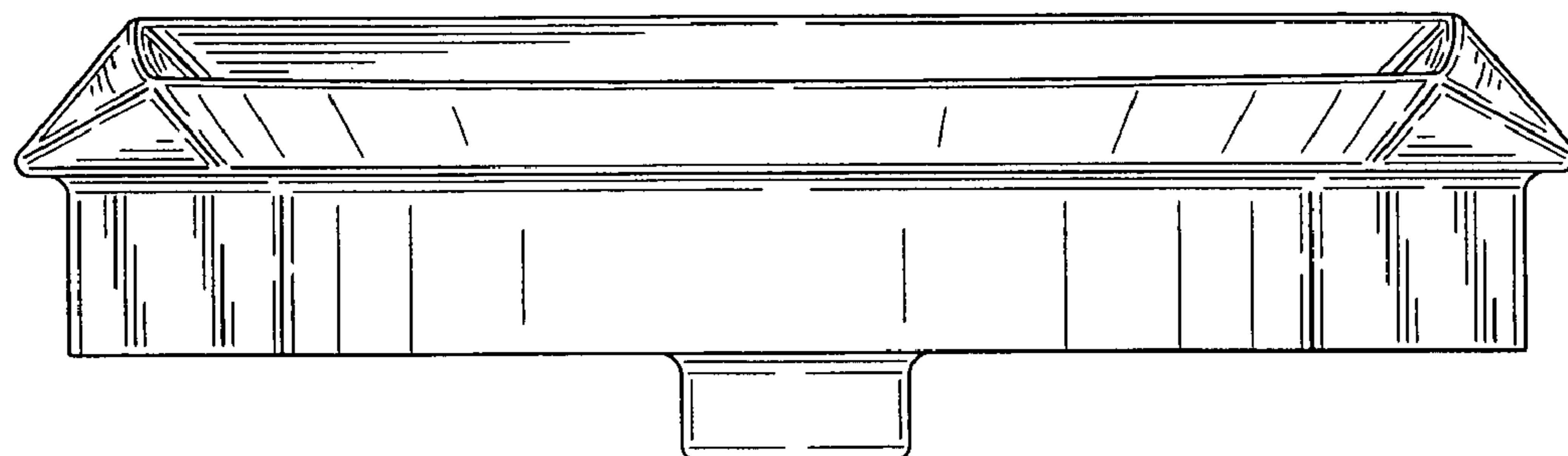




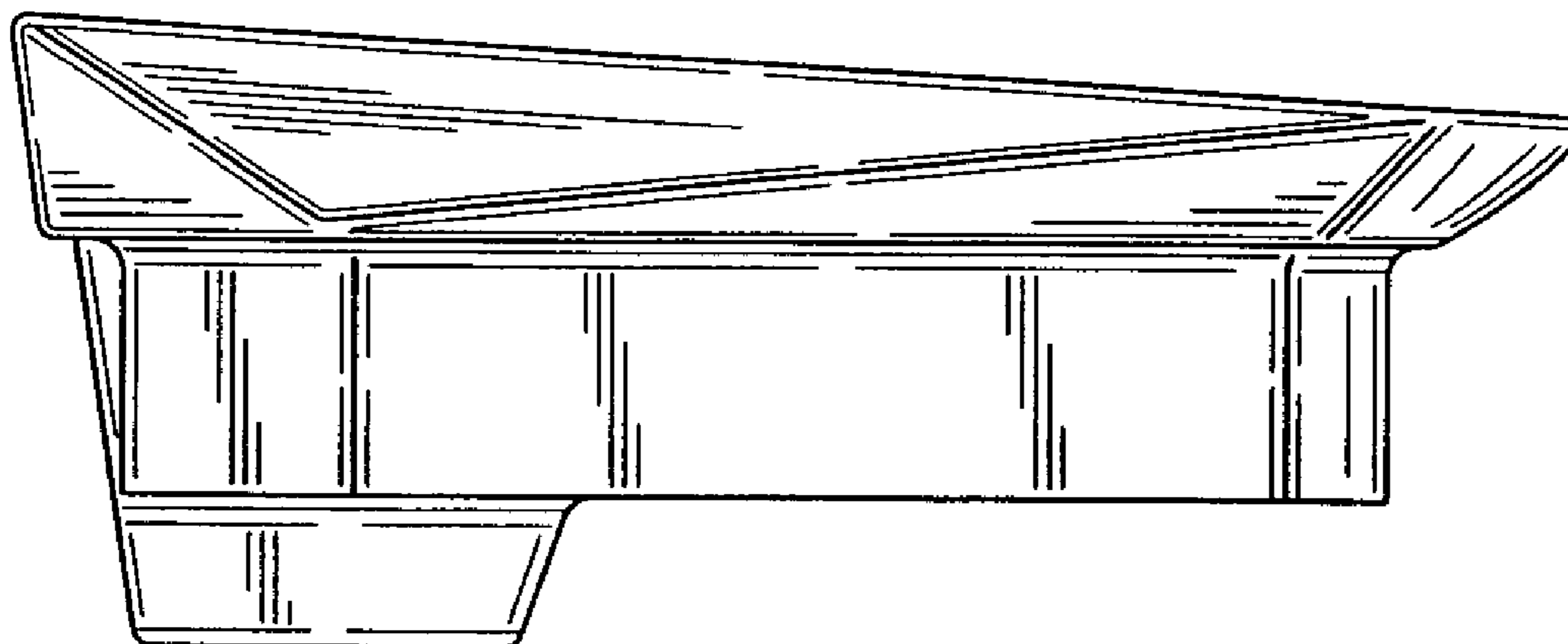
*FIG. 1*



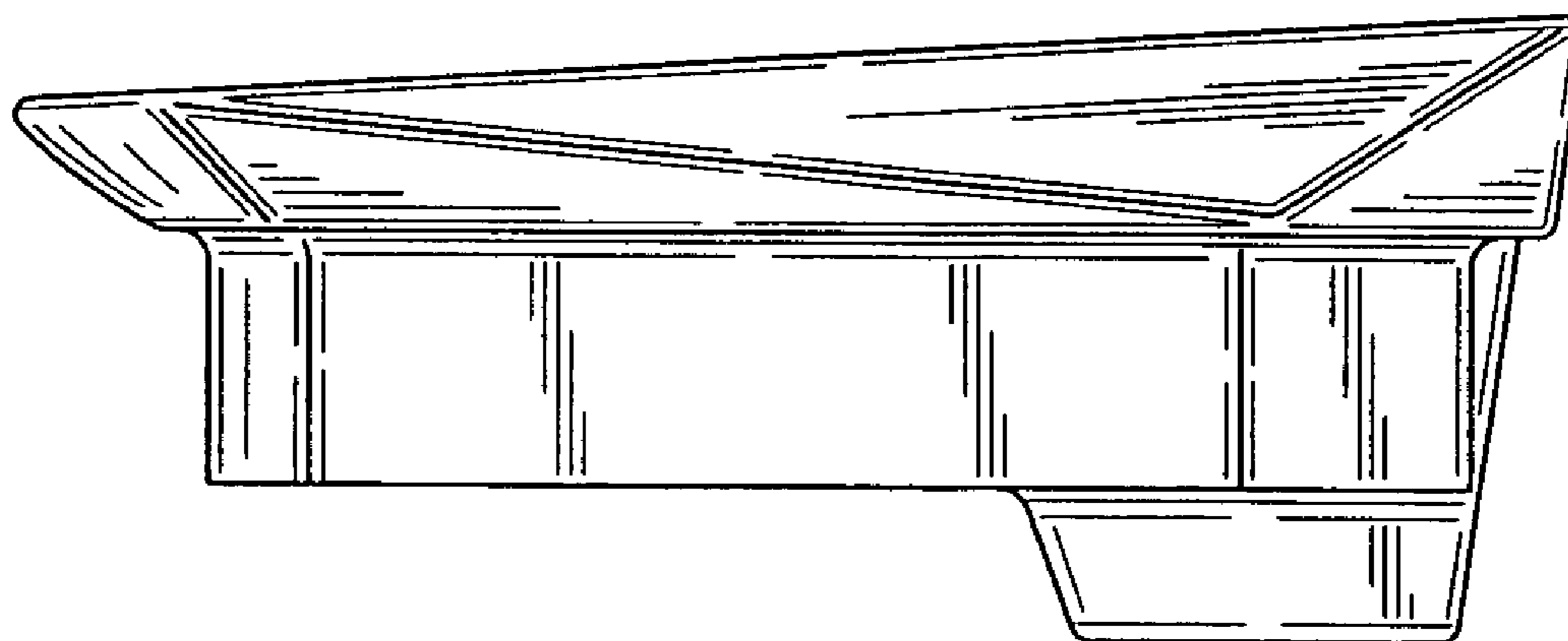
*FIG. 2*



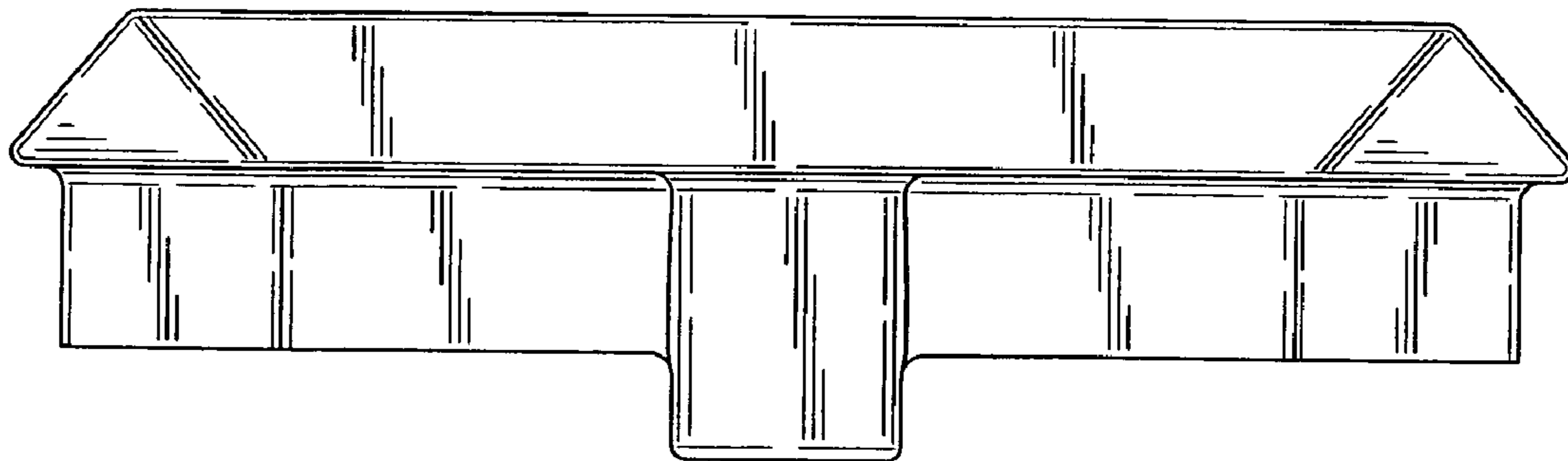
*FIG. 3*



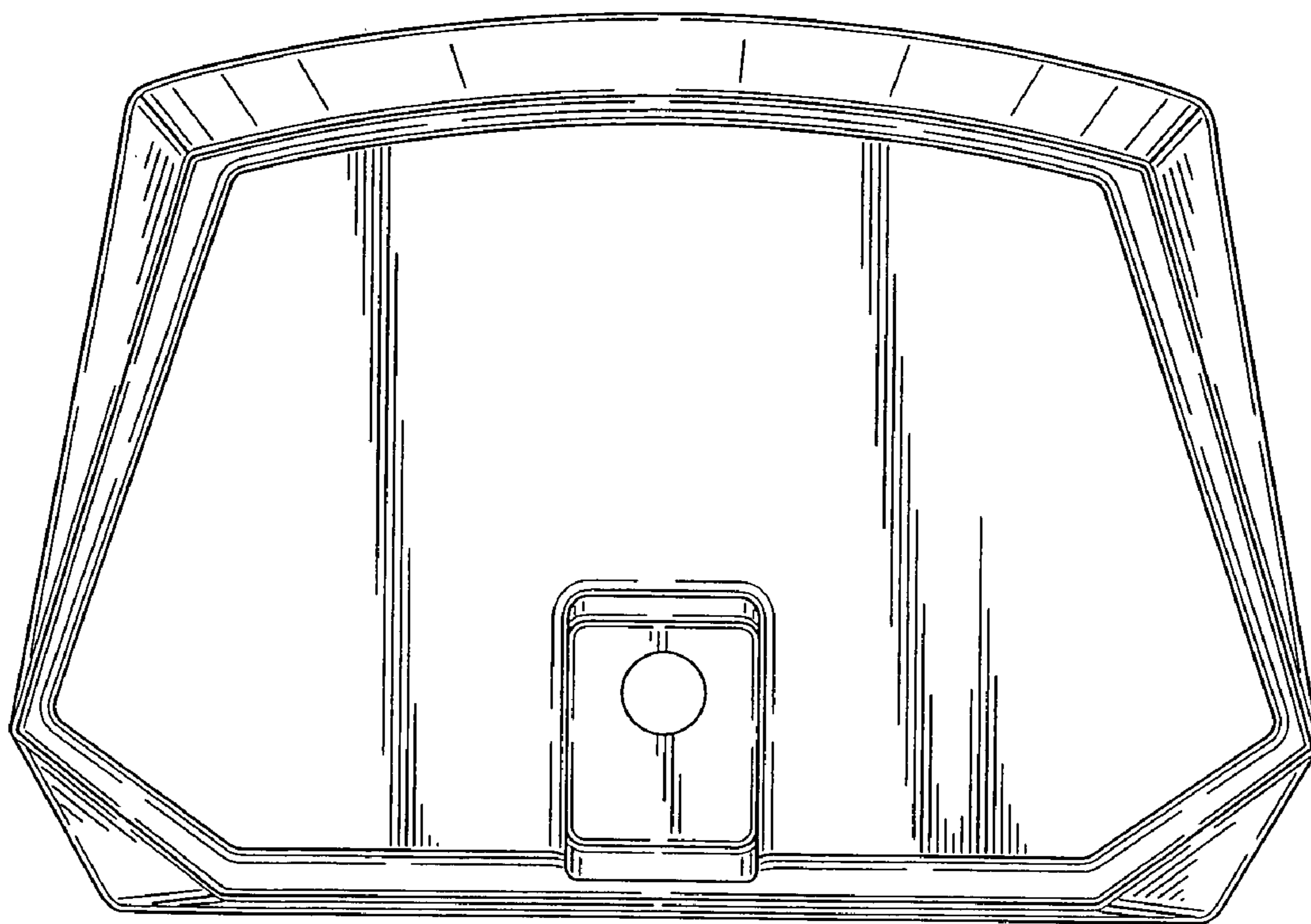
*FIG. 4*



*FIG. 5*



*FIG. 6*



*FIG. 7*