



US00D545413S

(12) **United States Design Patent**  
**Lin et al.**

(10) **Patent No.:** **US D545,413 S**  
(45) **Date of Patent:** **\*\* Jun. 26, 2007**

(54) **LAVATORY SINK**

D400,980 S \* 11/1998 Schroer ..... D23/293.1

(75) Inventors: **Kevin Lin**, Weifang (CN); **Lisa Zou**,  
Weifang (CN)

\* cited by examiner

(73) Assignee: **Globe Union Industrial Corp.**,  
Taichung (TW)

*Primary Examiner*—Robert A. Delehanty  
(74) *Attorney, Agent, or Firm*—Leong C. Lei

(\*\*) Term: **14 Years**

(57) **CLAIM**

(21) Appl. No.: **29/248,463**

The ornamental design for a lavatory sink, as shown and described.

(22) Filed: **Aug. 17, 2006**

**DESCRIPTION**

(51) **LOC (8) Cl.** ..... **23-02**

(52) **U.S. Cl.** ..... **D23/293.1**

(58) **Field of Classification Search** ..... D23/270–273,  
D23/284–287, 289, 291–293.1, 303, 308;  
4/619, 630–631, 637, 661; D21/524  
See application file for complete search history.

FIG. 1 is a perspective view of a lavatory sink, showing my new design;

FIG. 2 is a front elevational view thereof;

FIG. 3 is a rear elevational view thereof;

FIG. 4 is a right side elevational view thereof;

FIG. 5 is a left side elevational view thereof; and,

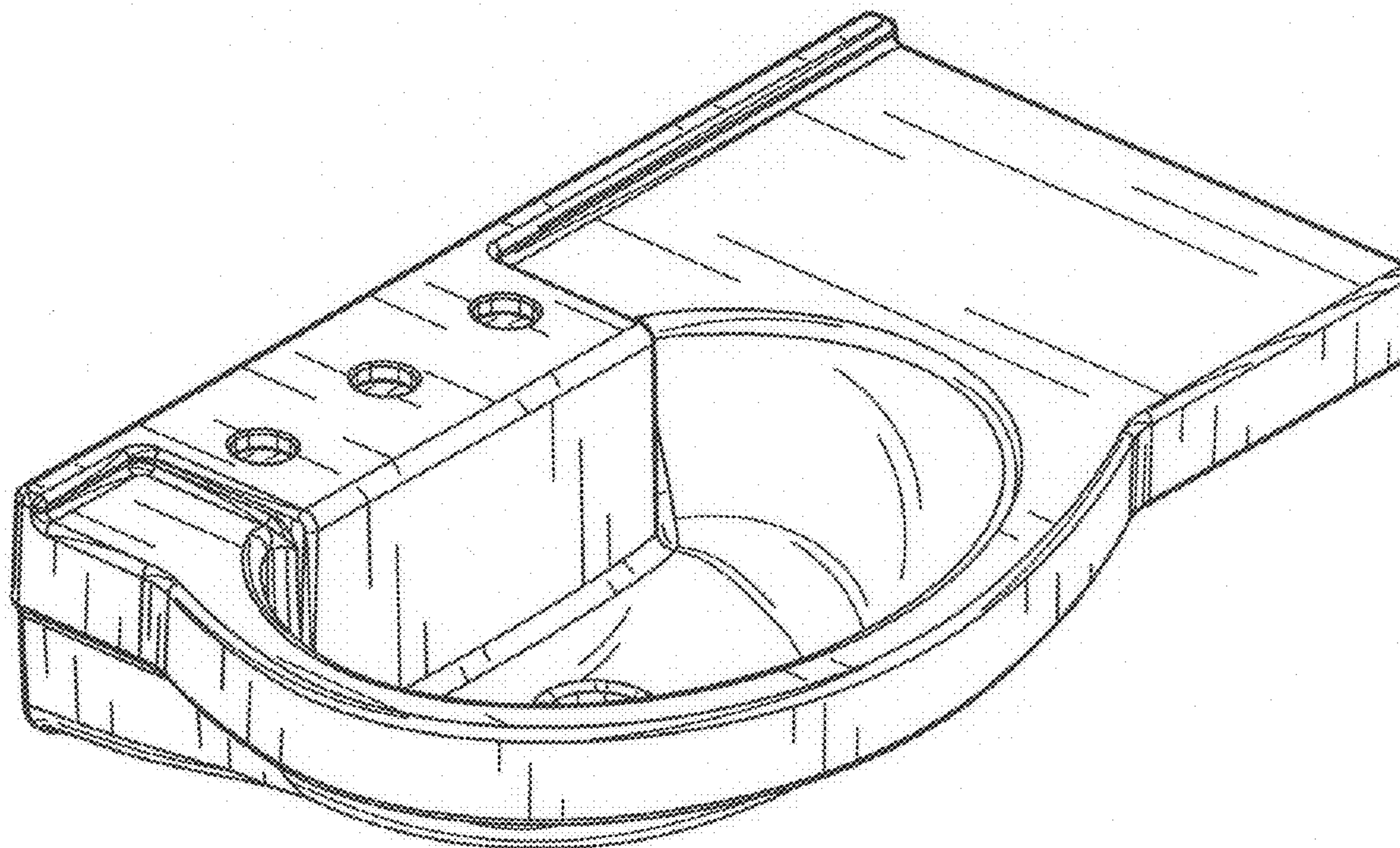
FIG. 6 is a top plan view thereof.

(56) **References Cited**

**U.S. PATENT DOCUMENTS**

D319,691 S \* 9/1991 Yvetot ..... D23/293.1

**1 Claim, 4 Drawing Sheets**



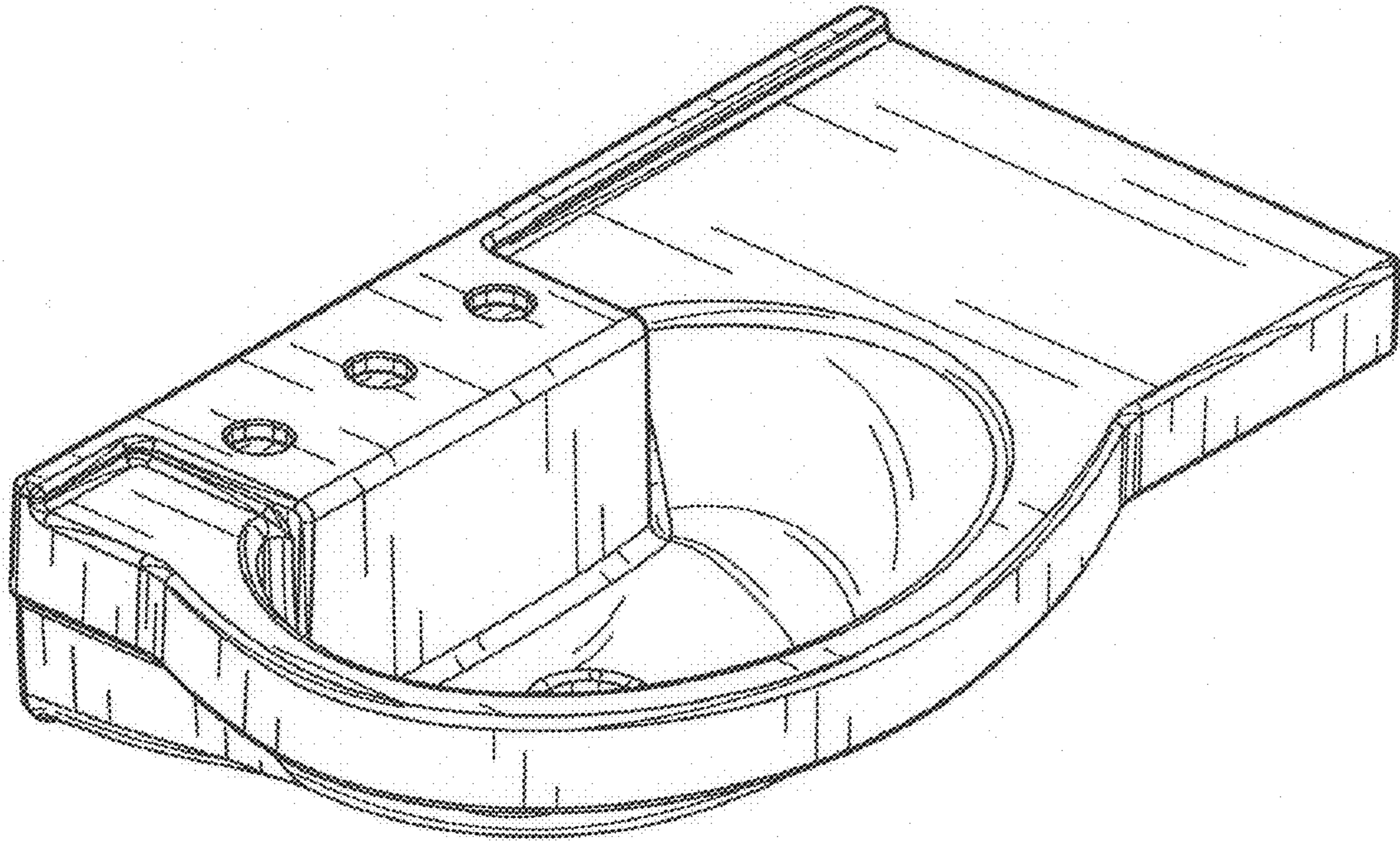


FIG. 1

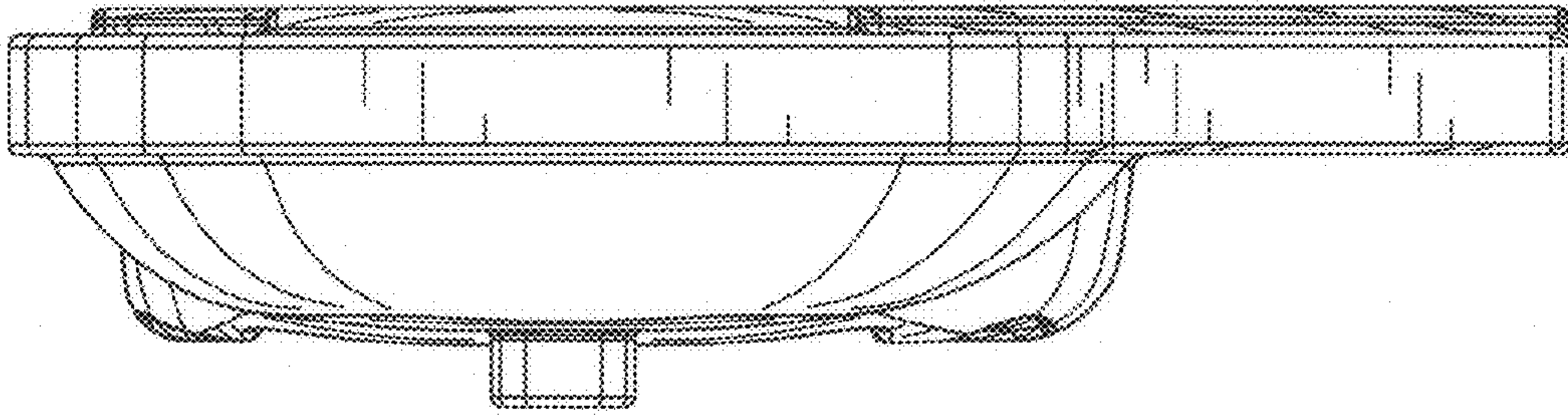


FIG. 2

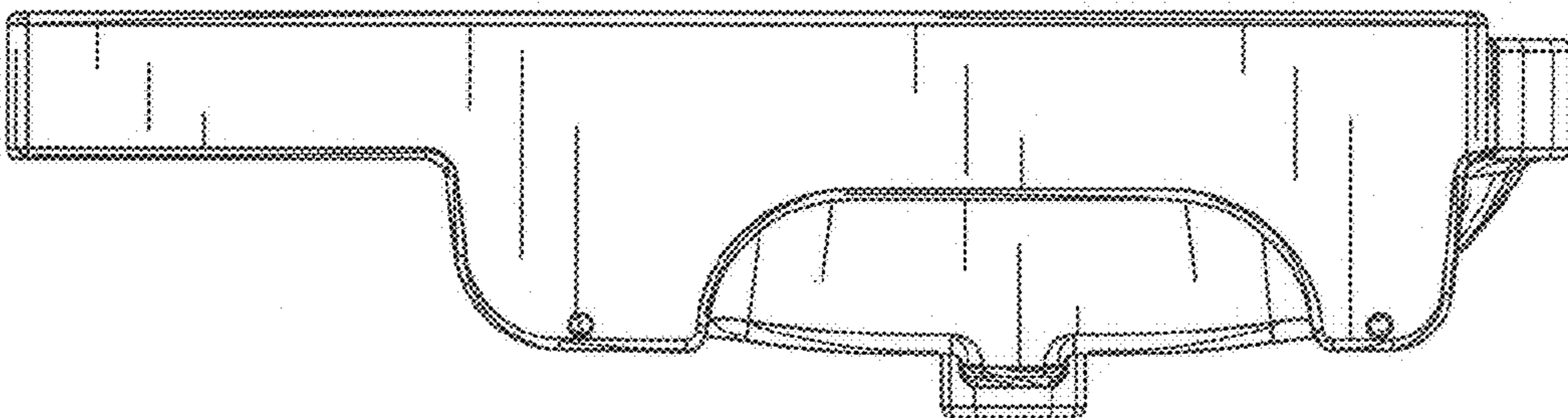


FIG. 3



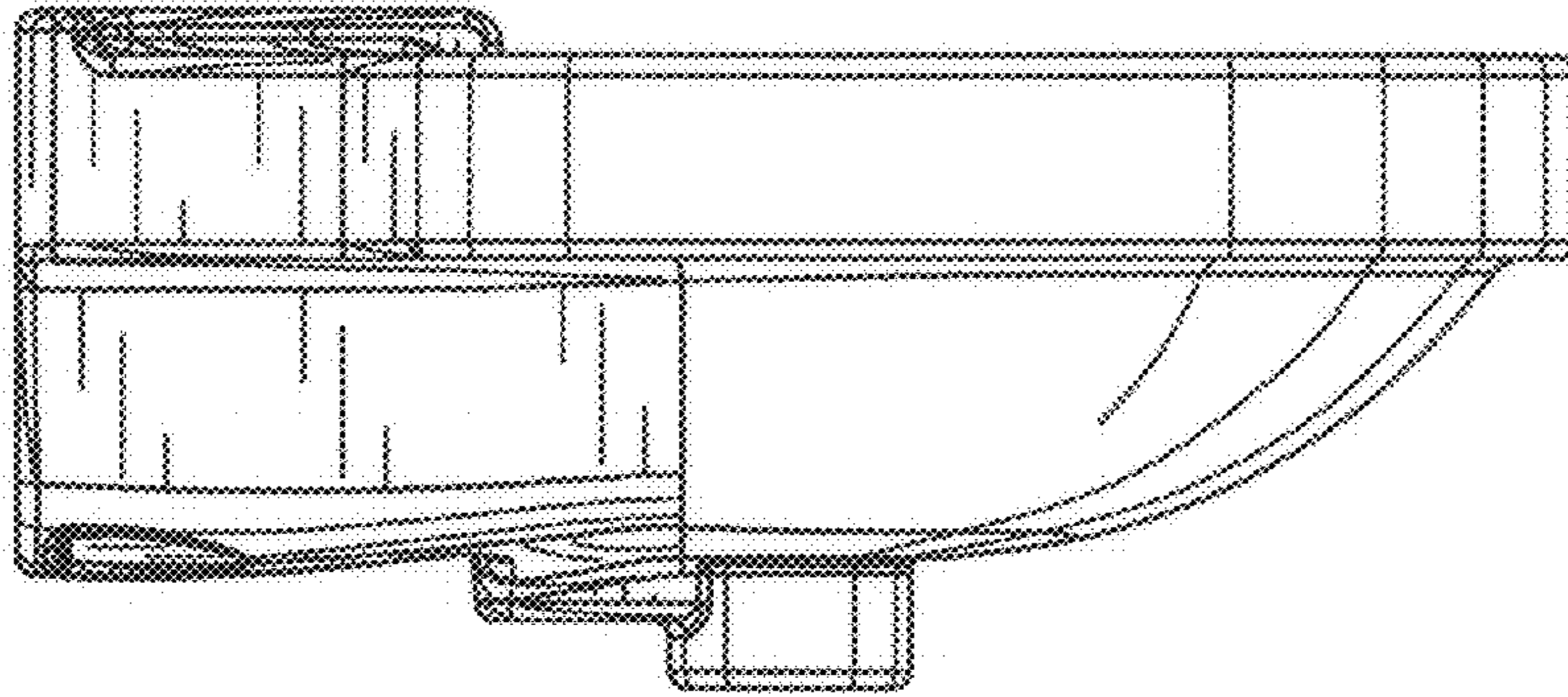


FIG. 4

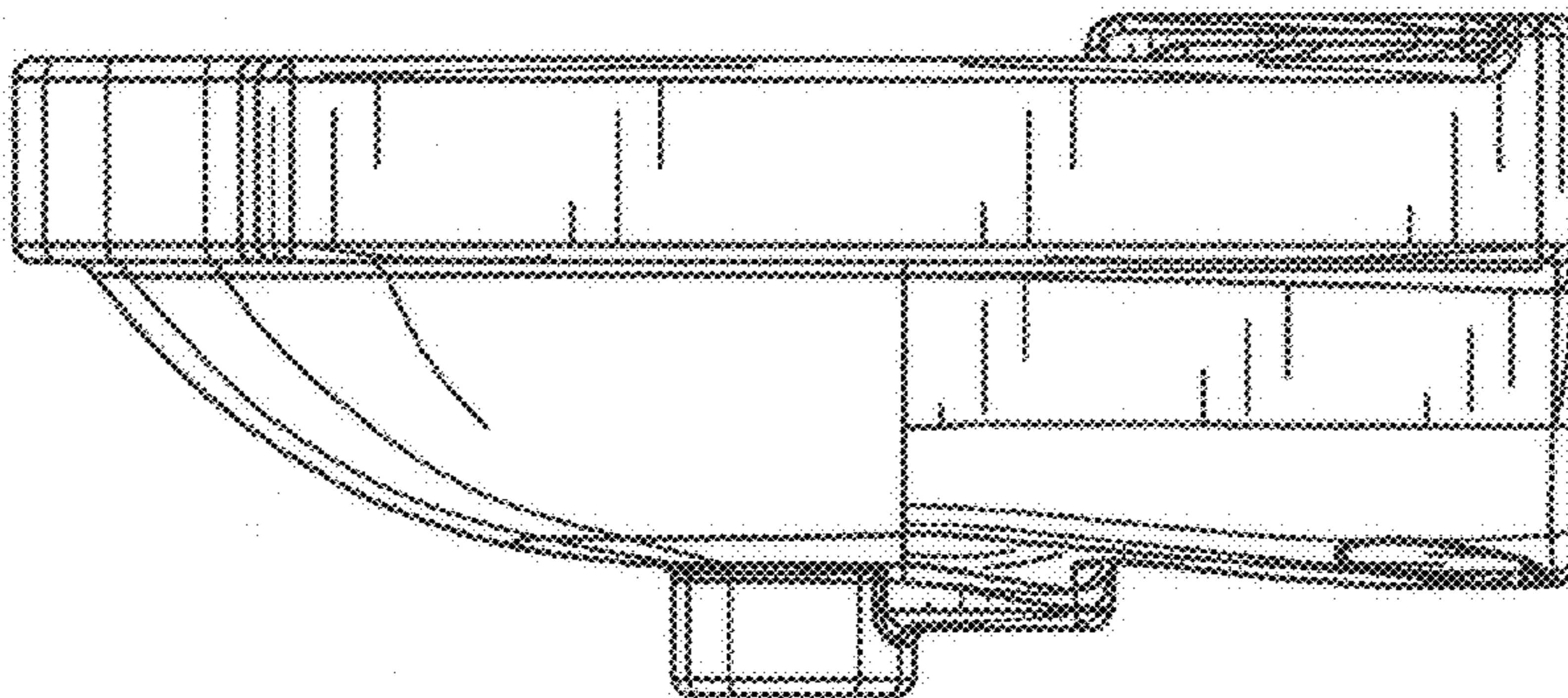


FIG. 5

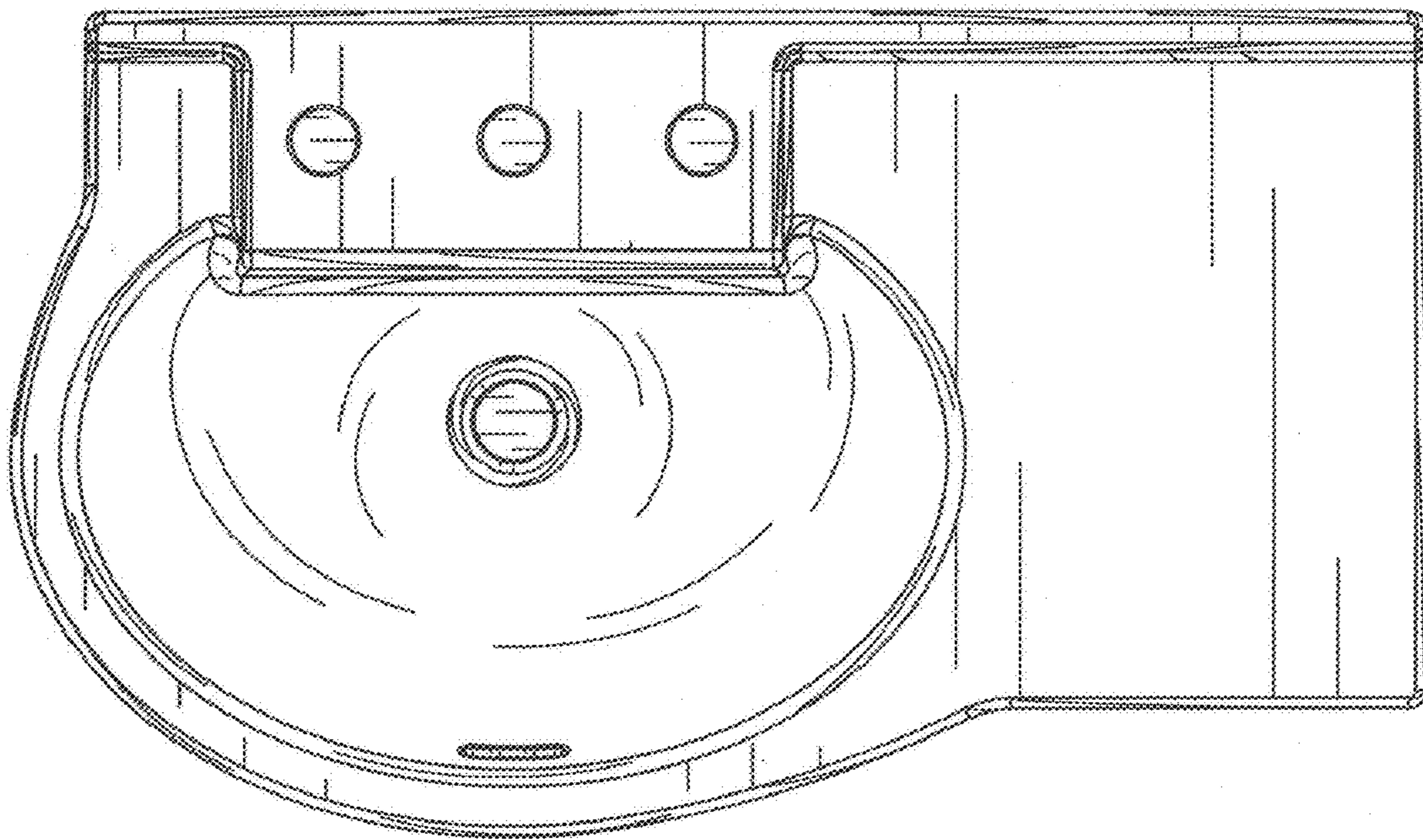


FIG. 6