

US00D545411S

(12) **United States Design Patent**
Lin et al.

(10) **Patent No.:** **US D545,411 S**
(45) **Date of Patent:** **** Jun. 26, 2007**

(54) **LAVATORY SINK**

D360,254 S * 7/1995 Kohler et al. D23/293.1
D533,646 S * 12/2006 Soulier D23/293.1

(75) Inventors: **Kevin Lin**, Weifang (CN); **Camel Hou**,
Weifang (CN)

* cited by examiner

(73) Assignee: **Globe Union Industrial Corp.**,
Taichung (TW)

Primary Examiner—Robert A. Delehanty
(74) *Attorney, Agent, or Firm*—Leong C. Lei

(**) Term: **14 Years**

(57) **CLAIM**

(21) Appl. No.: **29/248,460**

The ornamental design for a lavatory sink, as shown and described.

(22) Filed: **Aug. 17, 2006**

DESCRIPTION

(51) **LOC (8) Cl.** **23-02**

FIG. 1 is a perspective view of a lavatory sink showing my new design;

(52) **U.S. Cl.** **D23/293.1**

(58) **Field of Classification Search** D23/270–273,
D23/284–287, 289, 291–293.1, 303, 308;
4/619, 630–631, 637, 661; D21/524
See application file for complete search history.

FIG. 2 is a front elevational view thereof;

FIG. 3 is a rear elevational view thereof;

FIG. 4 is a right side elevational view thereof;

FIG. 5 is a left side elevational view thereof; and,

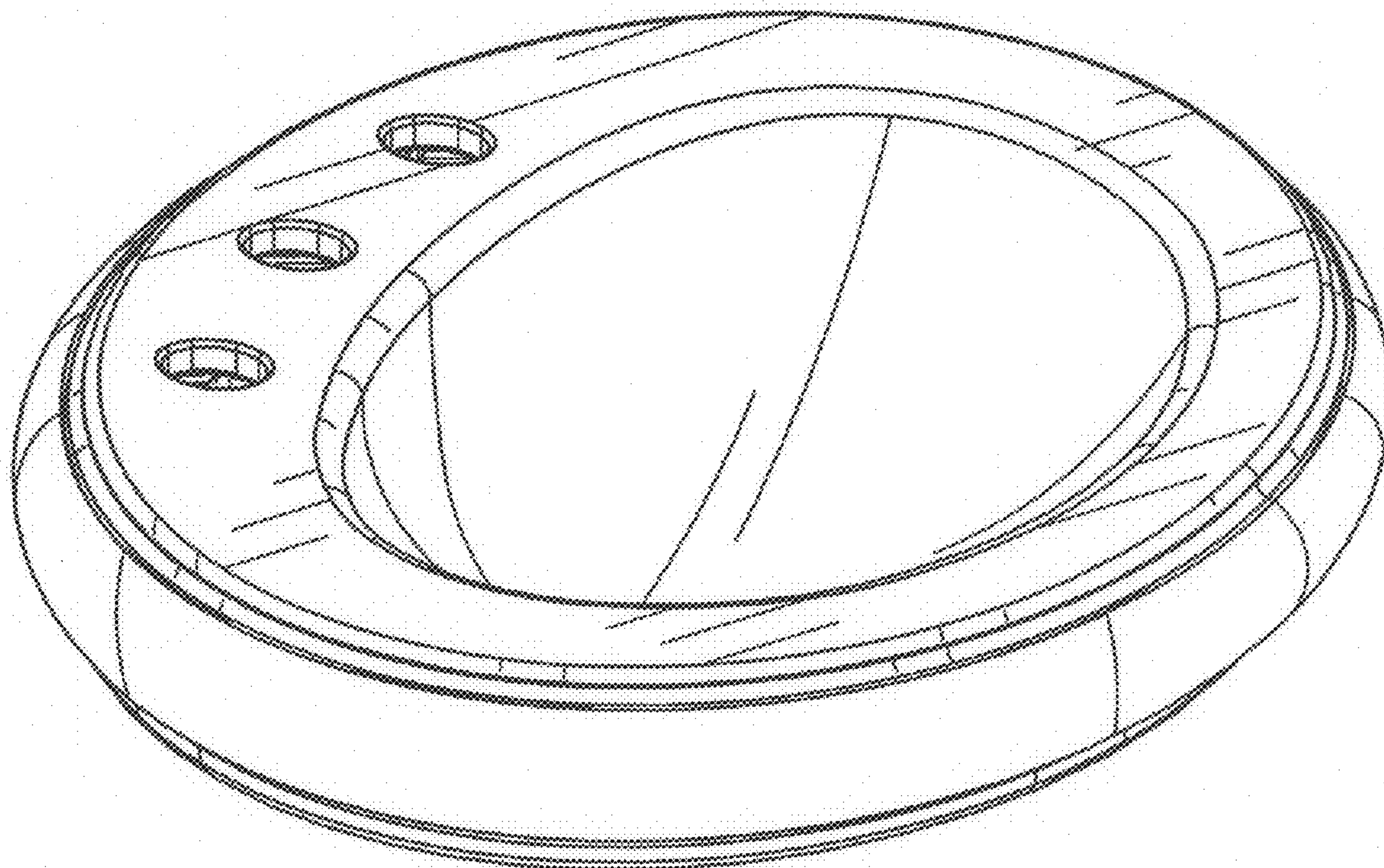
FIG. 6 is a top plan view thereof.

(56) **References Cited**

U.S. PATENT DOCUMENTS

D356,148 S * 3/1995 Kohler et al. D23/293.1

1 Claim, 4 Drawing Sheets



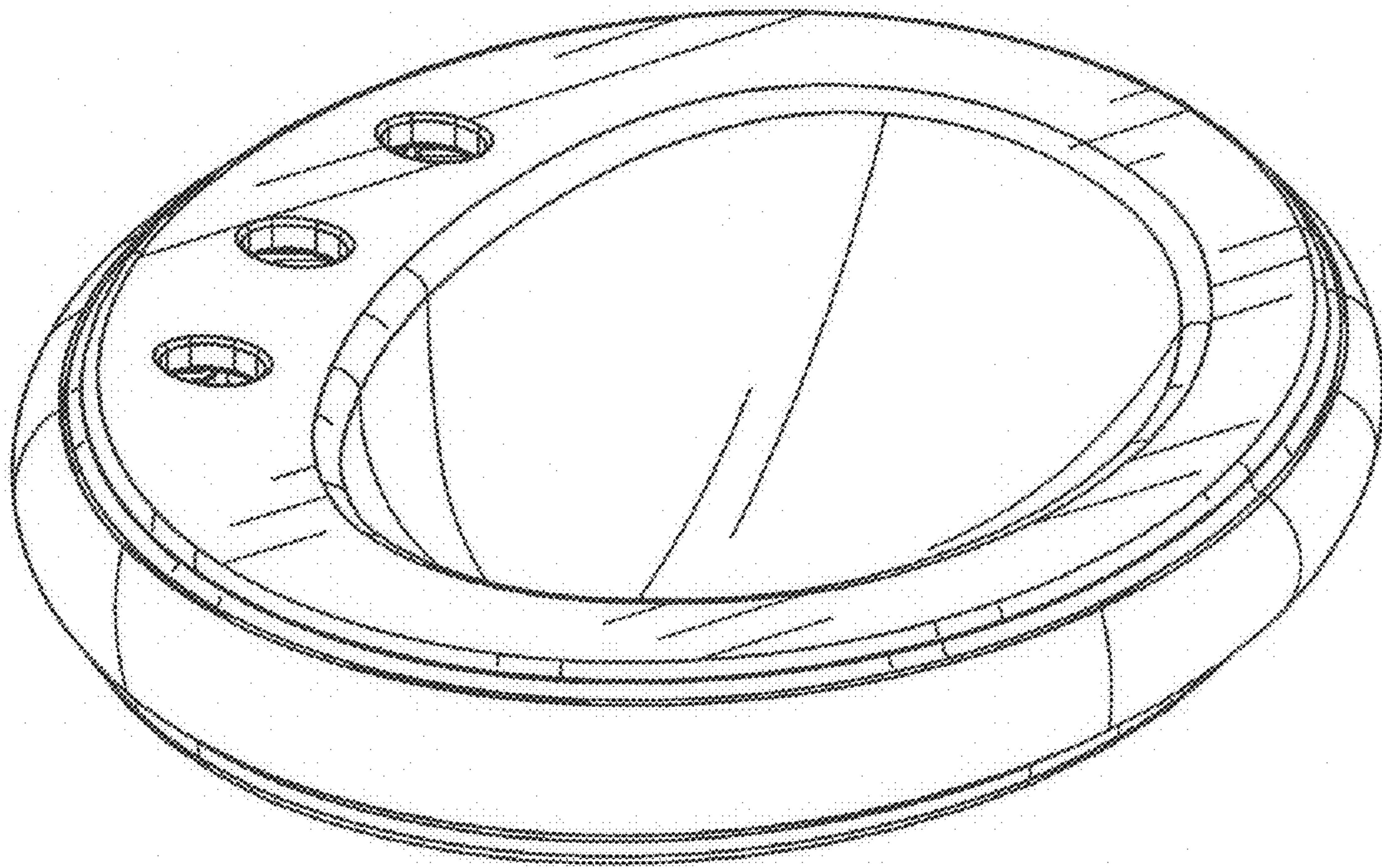


FIG. 1

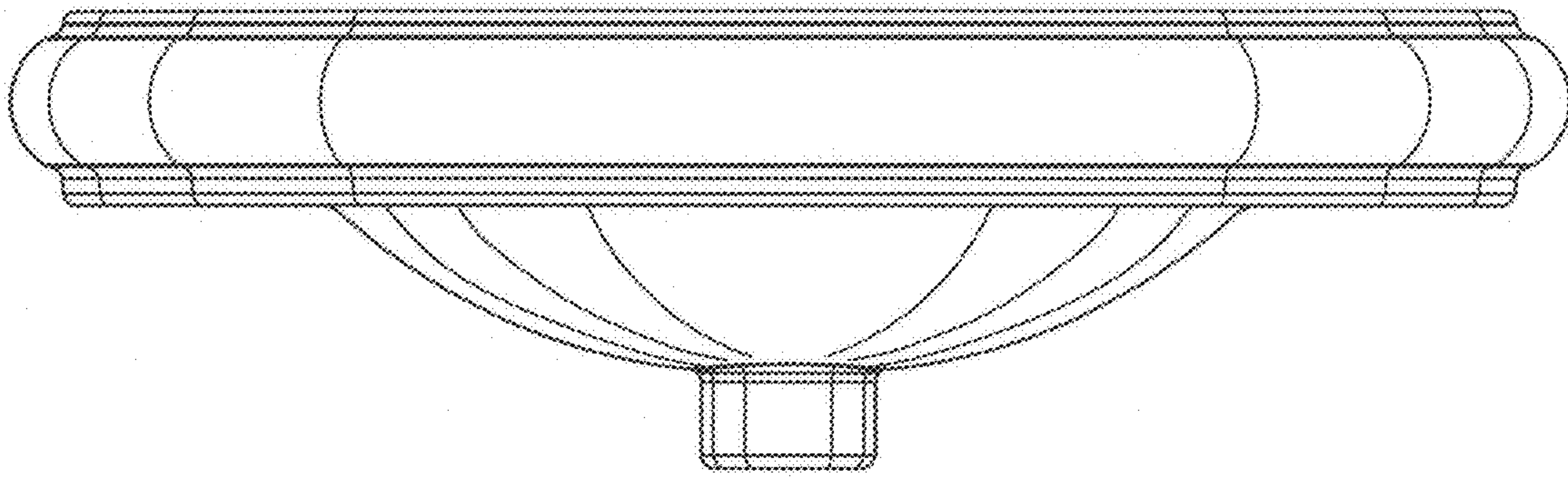


FIG. 2

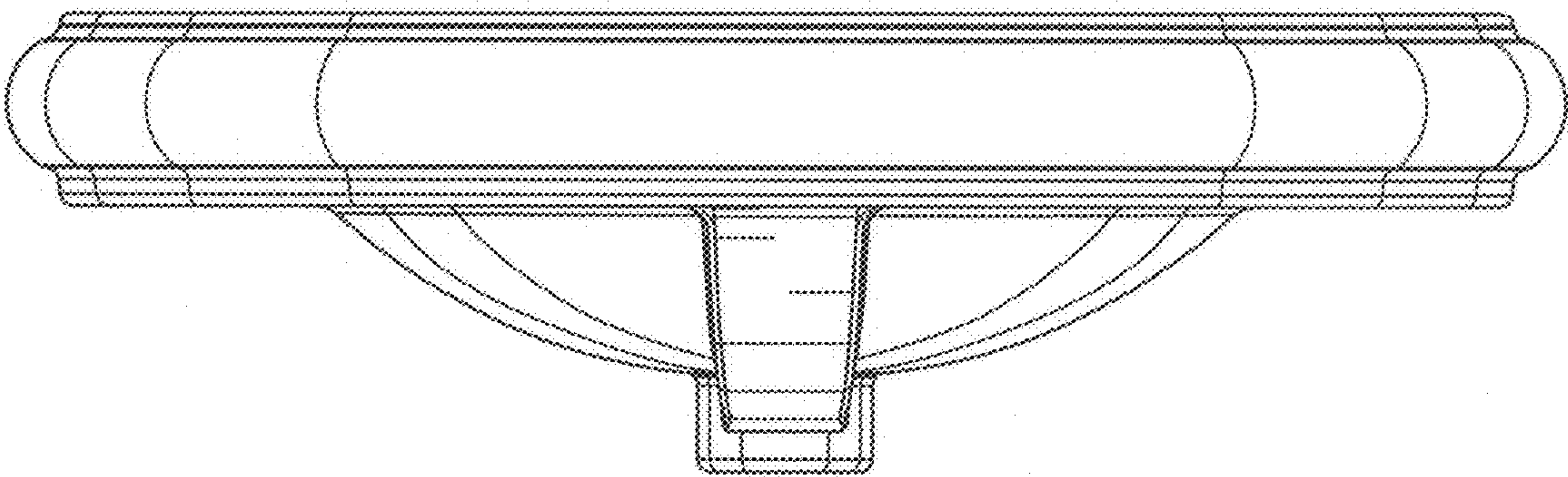


FIG. 3

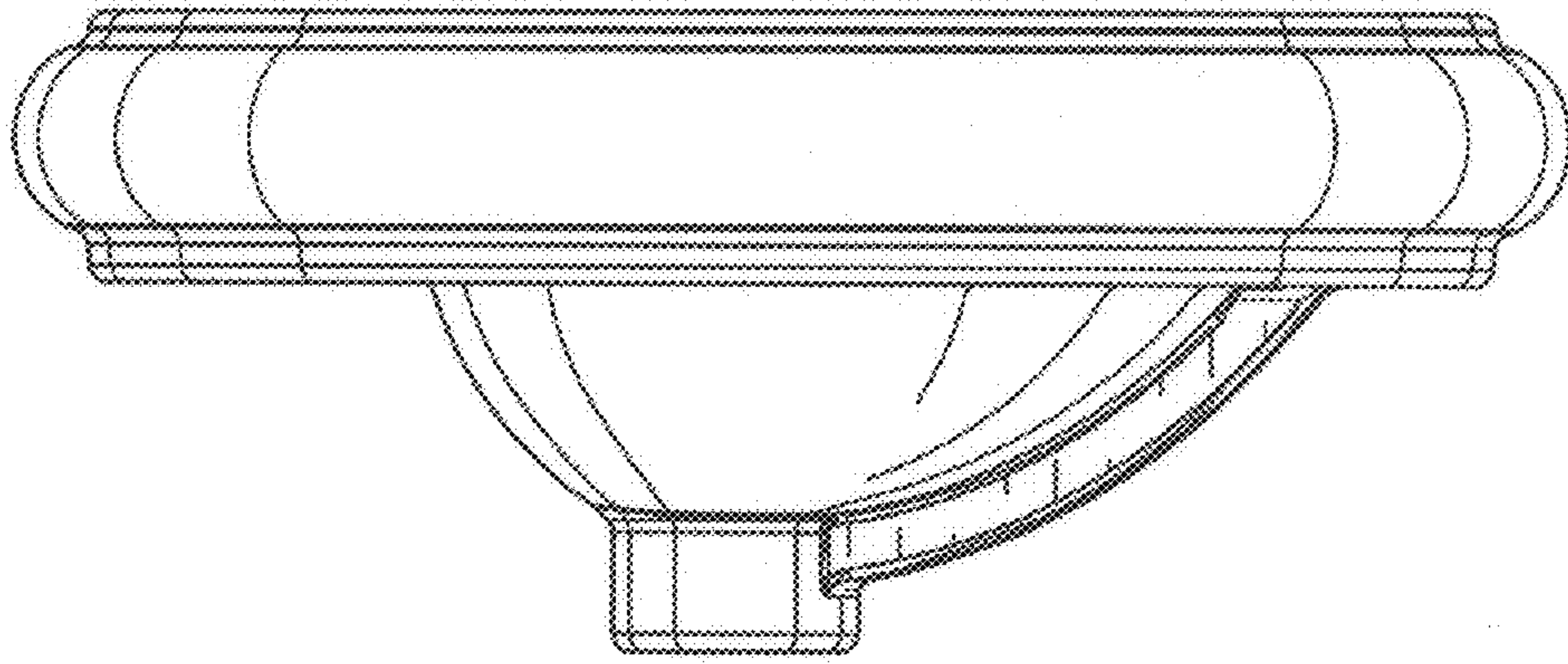


FIG. 4

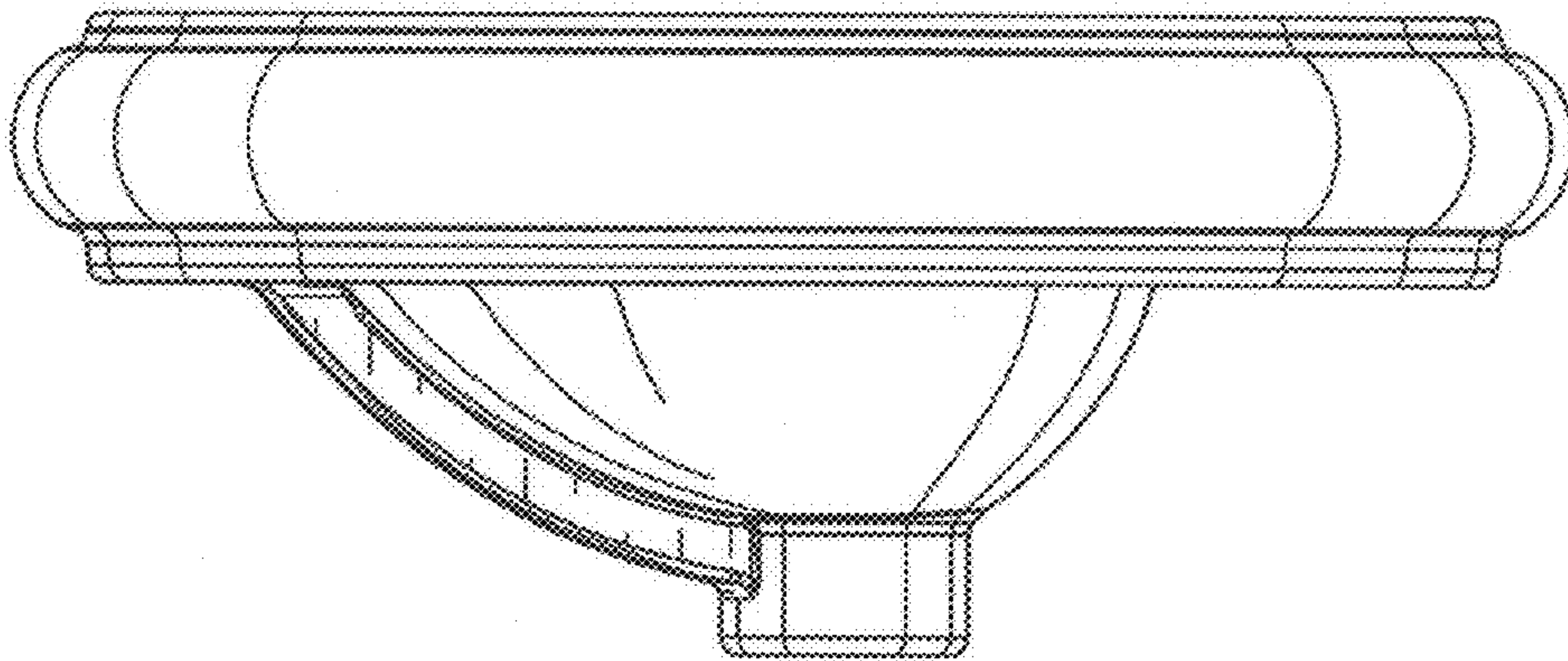


FIG. 5

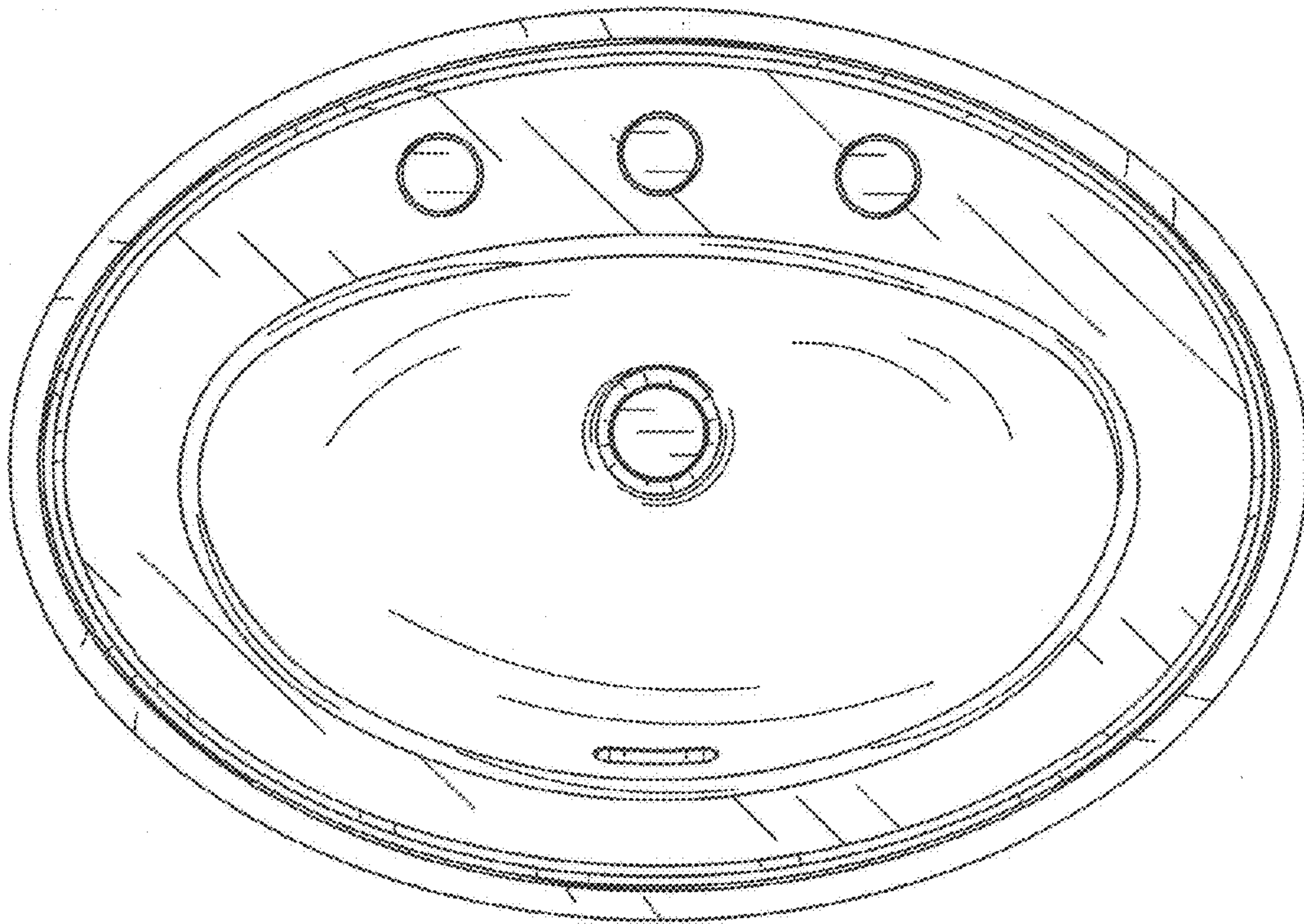


FIG. 6