



US00D545409S

(12) **United States Design Patent**
Plikuhn

(10) **Patent No.:** **US D545,409 S**
(45) **Date of Patent:** **** Jun. 26, 2007**

(54) **SINK**

(75) Inventor: **Deborah Marie Plikuhn**, Lombard, IL (US)

(73) Assignee: **Elkay Manufacturing Company**, Oak Brook, IL (US)

(**) Term: **14 Years**

(21) Appl. No.: **29/260,709**

(22) Filed: **May 30, 2006**

(51) **LOC (8) Cl.** **23-02**

(52) **U.S. Cl.** **D23/290**

(58) **Field of Classification Search** D23/290,
D23/303, 308; 4/639-642
See application file for complete search history.

(56) **References Cited**

U.S. PATENT DOCUMENTS

D147,748 S	10/1947	Harder
D198,305 S	6/1964	Graning, Jr.
D297,162 S	8/1988	Muck et al.
D319,302 S	8/1991	Ris
D323,878 S	2/1992	Sauter et al.
D325,246 S	4/1992	Sauter et al.
D326,902 S	6/1992	Bonnell

(Continued)

OTHER PUBLICATIONS

U.S. Appl. No. 29/260,712, filed May 30, 2006, Plikuhn.
U.S. Appl. No. 29/260,693, filed May 30, 2006, Plikuhn.

(Continued)

Primary Examiner—Robert A. Delehanty
(74) *Attorney, Agent, or Firm*—Leydig, Voit & Mayer, Ltd.

(57) **CLAIM**

The ornamental design for a sink, as shown and described.

DESCRIPTION

FIG. 1 is a perspective view taken from the top, front, and right side of a sink showing my new design;

FIG. 2 is a top plan view of the sink shown in FIG. 1;

FIG. 3 is a bottom view of the sink shown in FIG. 1;

FIG. 4 is a front elevational view of the sink shown in FIG. 1;

FIG. 5 is a rear elevational view of the sink shown in FIG. 1;

FIG. 6 is a left elevational side view of the sink shown in FIG. 1;

FIG. 7 is a right elevational side view of the sink shown in FIG. 1;

FIG. 8 is a perspective view taken from the top, front, and right side of a second embodiment of a sink showing my new design;

FIG. 9 is a top plan view of the sink shown in FIG. 8;

FIG. 10 is a bottom view of the sink shown in FIG. 8;

FIG. 11 is a front elevational view of the sink shown in FIG. 8;

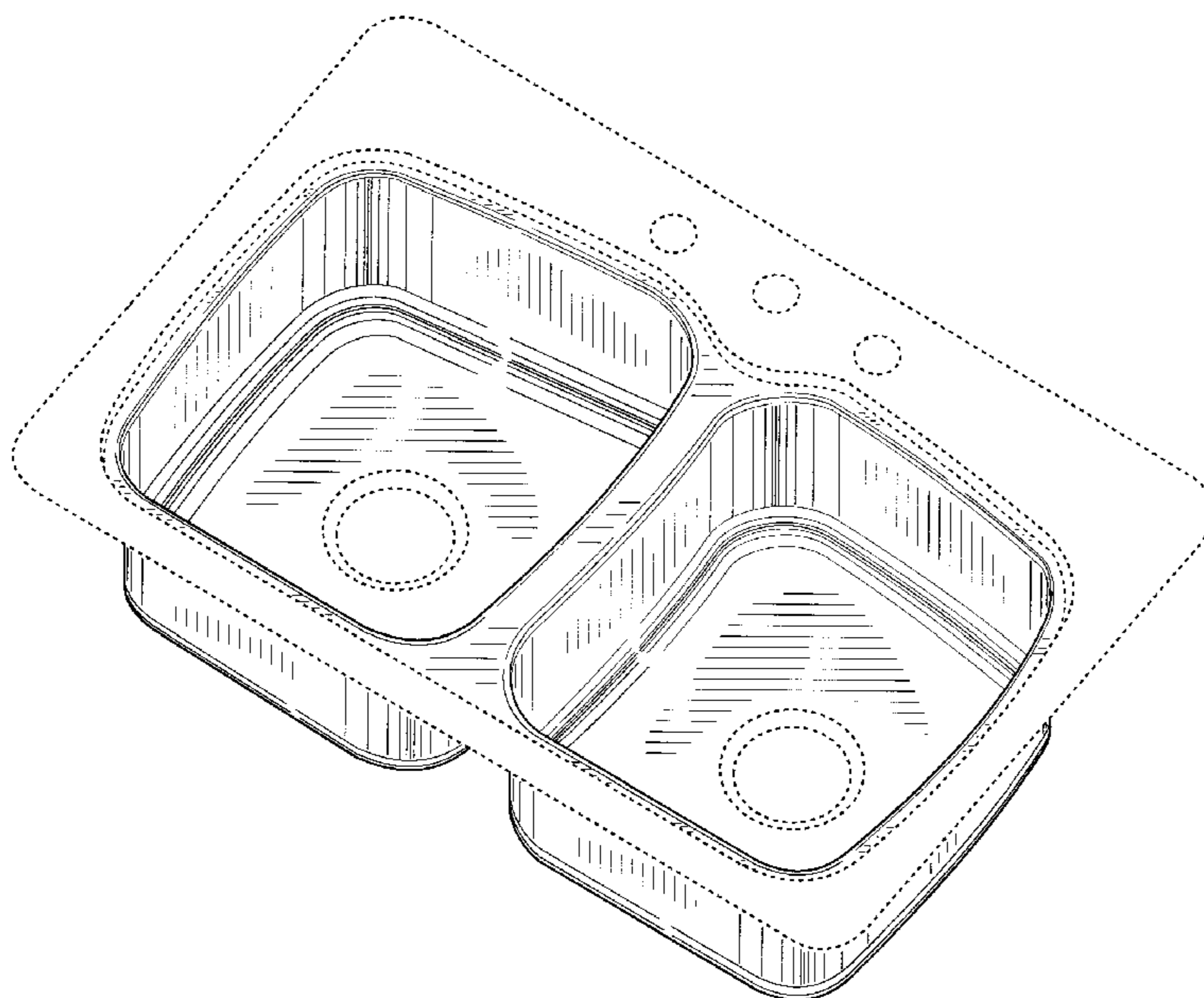
FIG. 12 is a rear elevational view of the sink shown in FIG. 8;

FIG. 13 is a left elevational side view of the sink shown in FIG. 8; and,

FIG. 14 is a right elevational side view of the sink shown in FIG. 8.

The broken lines are for illustration purposes only and form no part of the claimed design.

1 Claim, 10 Drawing Sheets



U.S. PATENT DOCUMENTS

D337,377 S	7/1993	Bonnell et al.	
D345,784 S	4/1994	O'Connell et al.	
D346,014 S	4/1994	Berge et al.	
D351,221 S	10/1994	Berge et al.	
D352,771 S	* 11/1994	Walsh et al.	D23/290
D353,878 S	12/1994	Hauser, II	
D353,879 S	12/1994	Hauser, II	
D353,880 S	12/1994	Hauser, II	
D354,119 S	1/1995	Hauser, II	
D355,023 S	1/1995	Kolada	
D395,699 S	6/1998	Hundley	
D397,213 S	8/1998	Bonnell	
D420,727 S	2/2000	Hundley	
D425,187 S	5/2000	Adamavich	
D427,670 S	7/2000	Svendsen et al.	
D445,883 S	7/2001	Svendsen et al.	
D450,374 S	11/2001	Svendsen et al.	
D451,585 S	12/2001	Svendsen et al.	
D454,125 S	3/2002	Stout et al.	
D455,821 S	4/2002	Bayer et al.	
D464,126 S	10/2002	Bayer et al.	
D473,292 S	4/2003	Paredes	
D494,258 S	8/2004	Arnold	
D498,831 S	11/2004	Bayer et al.	
D500,357 S	12/2004	Bayer et al.	
D504,716 S	5/2005	Bayer et al.	

OTHER PUBLICATIONS

American Standard, "Chandler Corian® Kitchen Sink," retrieved from http://www.americanstandard-us.com/ProductNew_Printable.asp?prodID=195 on Jan. 13, 2006.

American Standard, "Silhouette 33" Double Bowl Kitchen Sink, retrieved from http://www.americanstandard-us.com/ProductNew_Printable.asp?prodID=199 on Jan. 13, 2006.

American Standard, "Silhouette 33" Shallow Double Bowl Kitchen Sink, retrieved from http://www.americanstandard-us.com/ProductNew_Printable.asp?prodID=207 on Jan. 13, 2006.

American Standard, "Silhouette Island Sink," retrieved from http://www.americanstandard-us.com/ProductNew_Printable.asp?prodID=203 on Jan. 13, 2006.

American Standard, "Silhouette Single Bowl Kitchen Sink," retrieved from http://www.americanstandard-us.com/ProductNew_Printable.asp?prodID=202 on Jan. 13, 2006.

American Standard, "Culinaire™ Top Mount Double Bowl Kitchen Sink," retrieved from http://www.americanstandard-us.com/ProductNew_Printable.asp?prodID=1300 on Jan. 13, 2006.

American Standard, "Culinaire™ Under Mount Double Bowl Kitchen Sink," retrieved from http://www.americanstandard-us.com/ProductNew_Printable.asp?prodID=1301 on Jan. 13, 2006.

Blanco America, "Blancodiamond™ 1-3/4 Bowl Undermount," retrieved from http://www.blancoamerica.com/_Sinks/511-706.htm?tmp=sink on Jan. 13, 2006.

Blanco America, "Blancodiamond™ Prep Sink," retrieved from http://www.blancoamerica.com/_BarSinks/511-661.htm?tmp=sink on Jan. 13, 2006.

Franke, "Fireclay VNK-120-37," retrieved from <http://www.frankeksd.com/printproduct.php?node=10&1v1=2&parent=93&id=302> on Jan. 13, 2006.

Franke, "Orca ORX-110," retrieved from <http://www.frankeksd.com/printproduct.php?node=10&1v1=2&parent=53&id=299> on Jan. 13, 2006.

Franke, "Orca ORX-610," retrieved from <http://www.frankeksd.com/printproduct.php?node=10&1v1=2&parent=24&id=298> on Jan. 13, 2006.

Franke, "Vision VNX-120-37," retrieved from <http://www.frankeksd.com/printproduct.php?node=10&1v1=2&parent=65&id=140> on Jan. 13, 2006.

Franke, "Vision VNX-120-45," retrieved from <http://www.frankeksd.com/printproduct.php?node=10&1v1=2&parent=65&id=141> on Jan. 13, 2006.

Franke, "FHP Sinks," retrieved from http://www.fhpsinks.com/P_Granite/granitespecs.htm on Jan. 13, 2006.

Franke, "EuroPro GNX-120," retrieved from <http://www.frankeksd.com/printproduct.php?node=10&1v1=2&parent=65&id=133> on Jan. 13, 2006.

Franke, "Fireclay PRK-120," retrieved from <http://www.frankeksd.com/printproduct.php?node=10&1v1=2&parent=93&id=301> on Jan. 13, 2006.

Franke, "Regatta RGX-620," retrieved from <http://www.frankeksd.com/printproduct.php?node=10&1v1=2&parent=25&id=17> on Jan. 13, 2006.

Kohler, "The Bold Look of Kohler: Undertone™ double equal undercounter kitchen sink," retrieved from http://www.us.kohler.com/onlinecatalog/print.jsp?item=8532402&prod_num=3148&category=22&frm=null on Jan. 13, 2006.

Kohler, "The Bold Look of Kohler: Undertone™ high/low undercounter kitchen sink with rounded basin style," retrieved from http://www.us.kohler.com/onlinecatalog/print.jsp?item=245102&prod_num=3355&category=5&frm=null on Jan. 11, 2006.

Kohler, "The Bold Look of Kohler: Undertone™ large/medium undercounter kitchen sink with left basin depth of 7-1/2" and right basin depth of 9-1/2", 39-1/8"x21-1/4", retrieved from http://www.us.kohler.com/onlinecatalog/print.jsp?item=8534902&prod_num=3359-L&category=5&frm=null on Jan. 11, 2006.

Kohler, "The Bold Look of Kohler: All Sinks," retrieved from http://www.us.kohler.com/onlinecatalog/product_result.jsp?showAll=true§ion=1&category=5&subcategory=36&frm=null&module=Kitchen+Sinks&cat_count=7&QS_0=All&QS_1=All&QS_2=All&QS_3=All&QS_4=All&QS_5=All&QS_6=All&sort=Default on Aug. 6, 2005.

Kohler, "The Bold Look of Kohler: Staccato™ double-basin self-rimming kitchen sink with single-hole faucet punching," retrieved from http://www.us.kohler.com/onlinecatalog/print.jsp?item=6406402&prod_num=3369-1&category=5&frm=null on Jan. 11, 2006.

Kohler, "The Bold Look of Kohler: Staccato™ large/medium self-rimming kitchen sink," retrieved from http://www.us.kohler.com/onlinecatalog/detail.jsp?from=thumb&frm=null&module=Kitchen+sinks&item=6306002&prod_num=3361-1§ion=1&category=5 on Jan. 11, 2006.

* cited by examiner

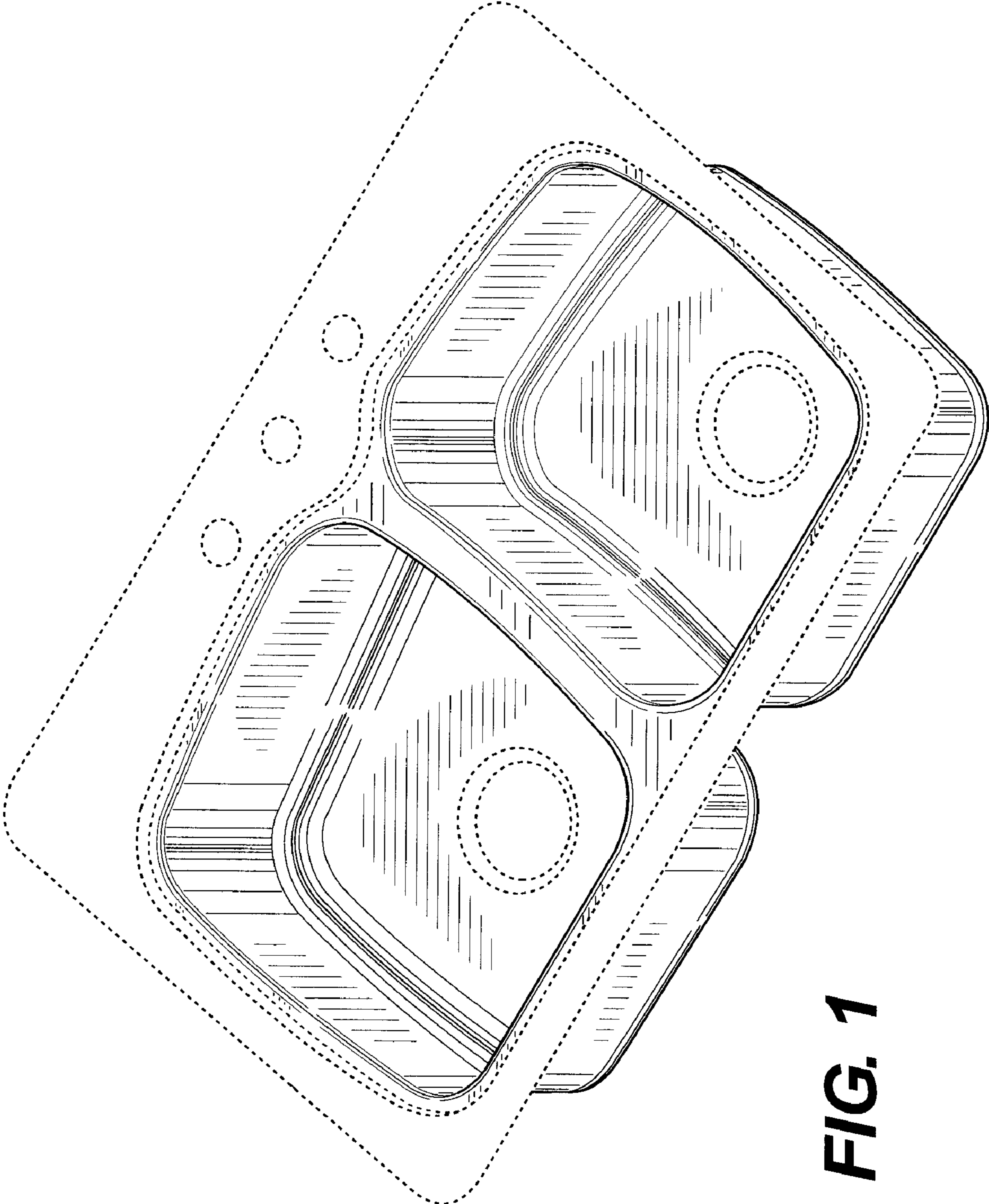


FIG. 1

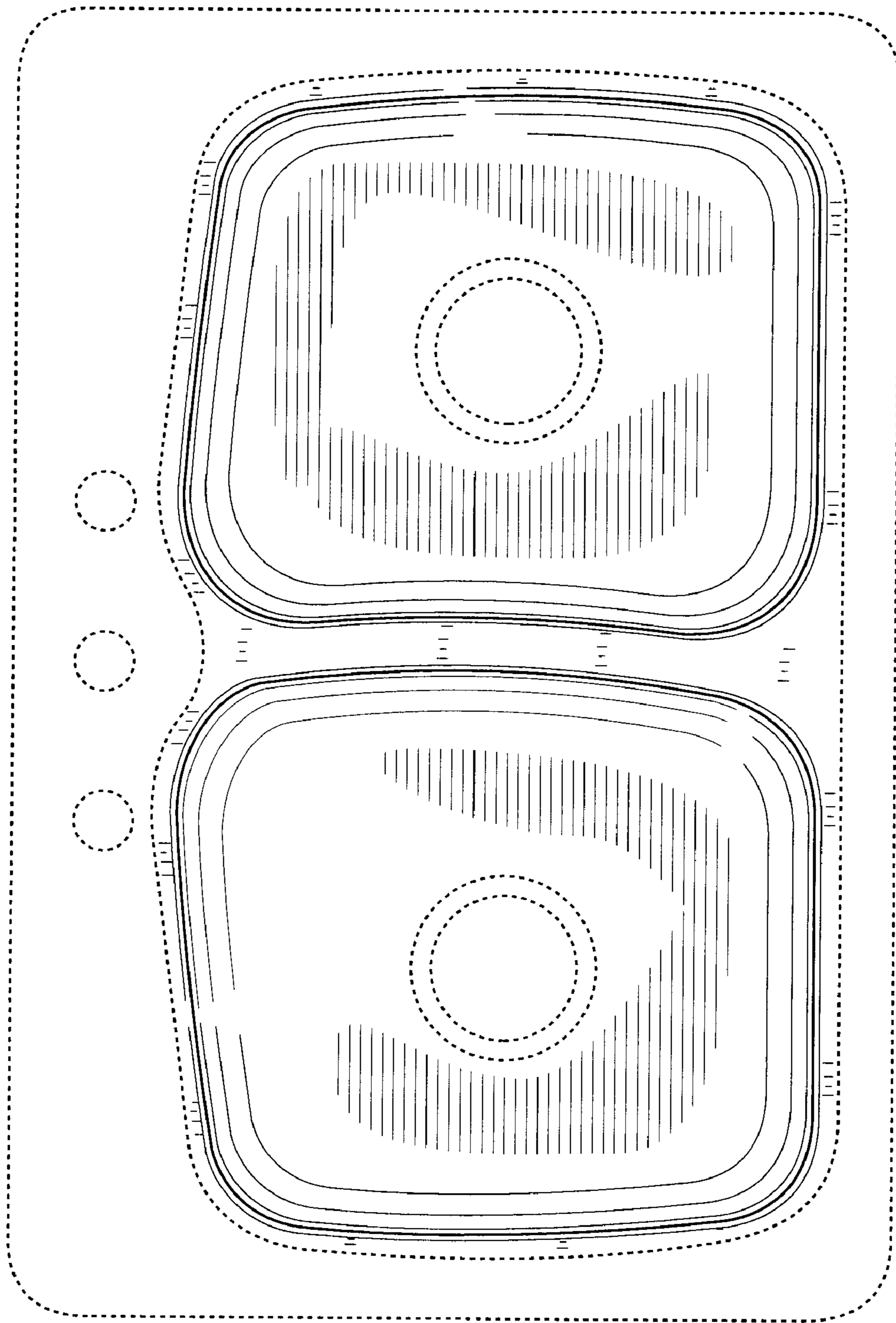


FIG. 2

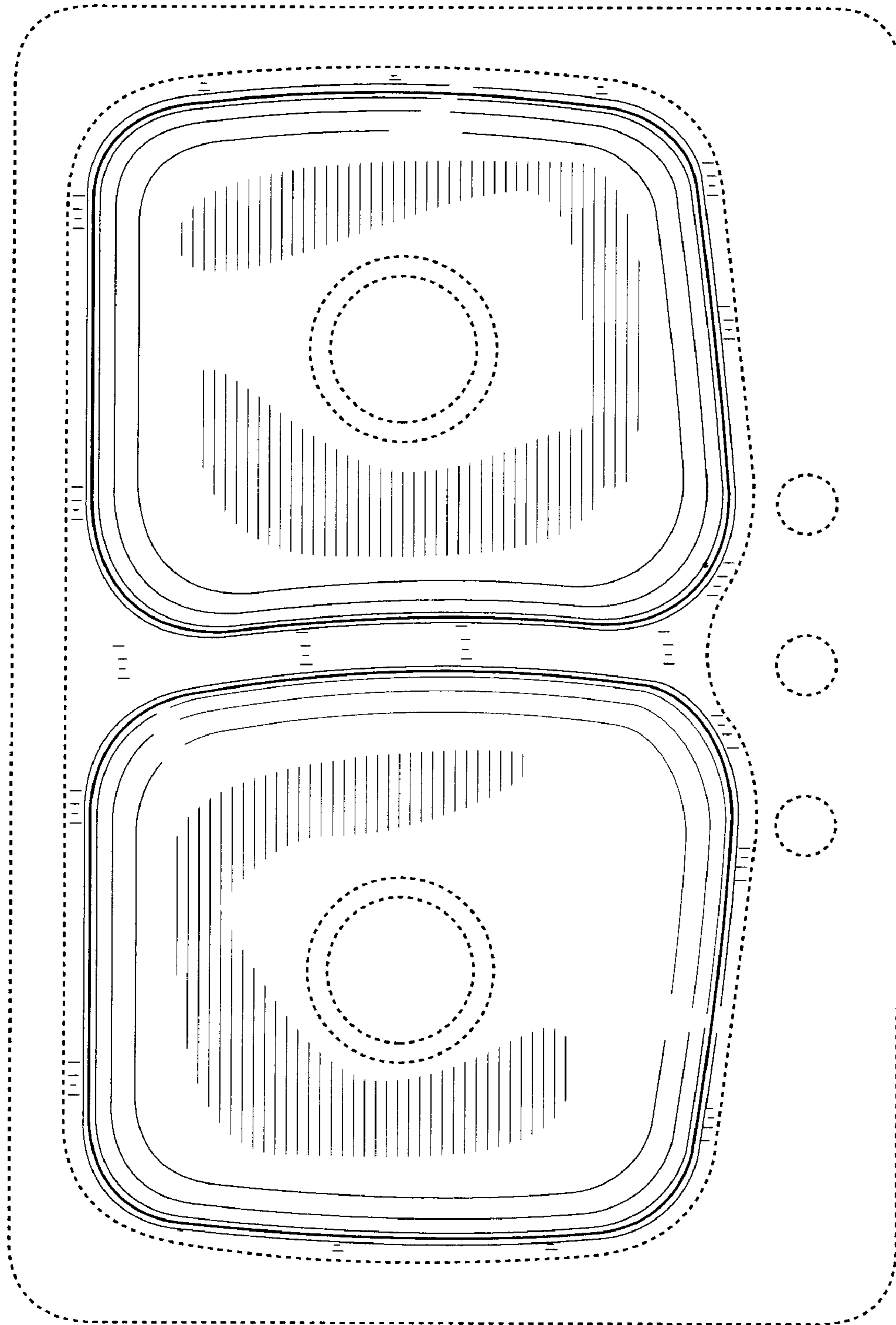


FIG. 3

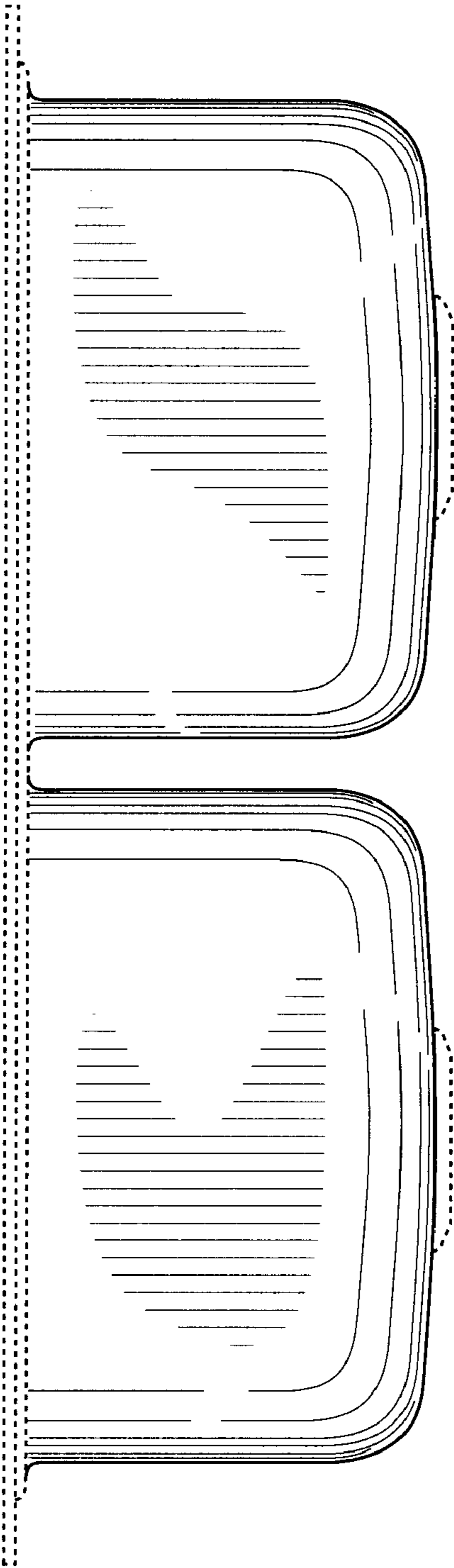


FIG. 4

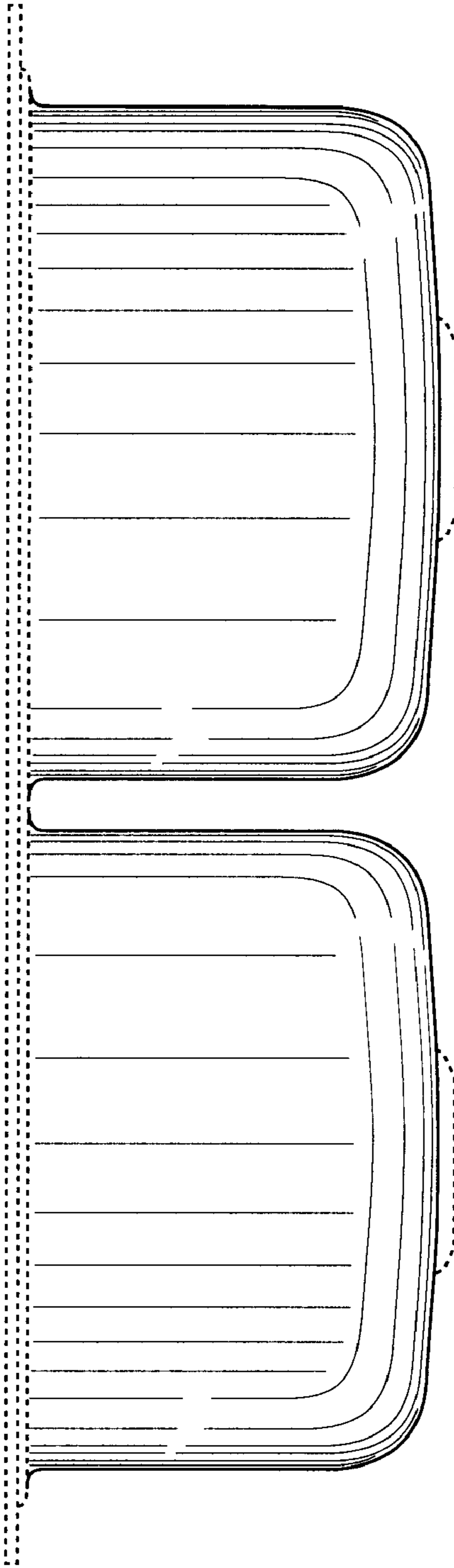


FIG. 5

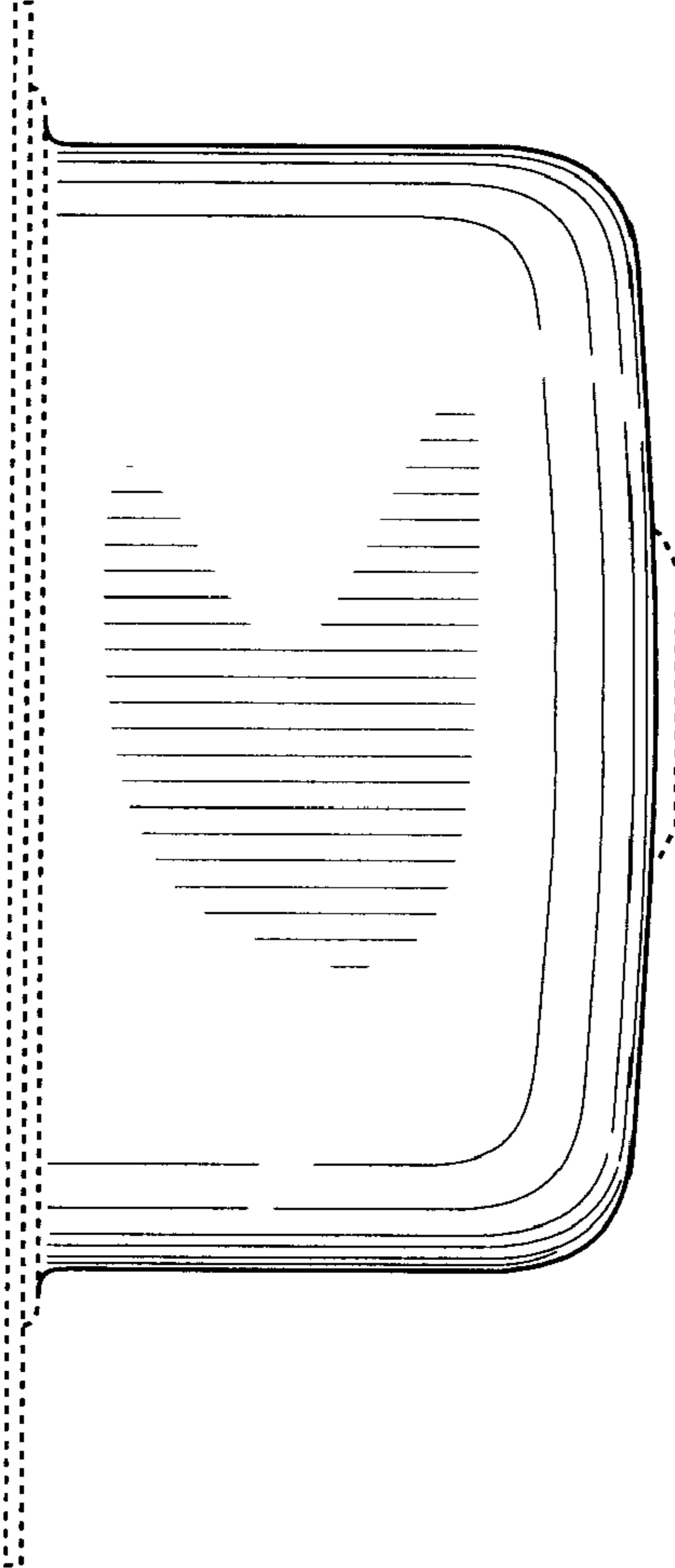


FIG. 6

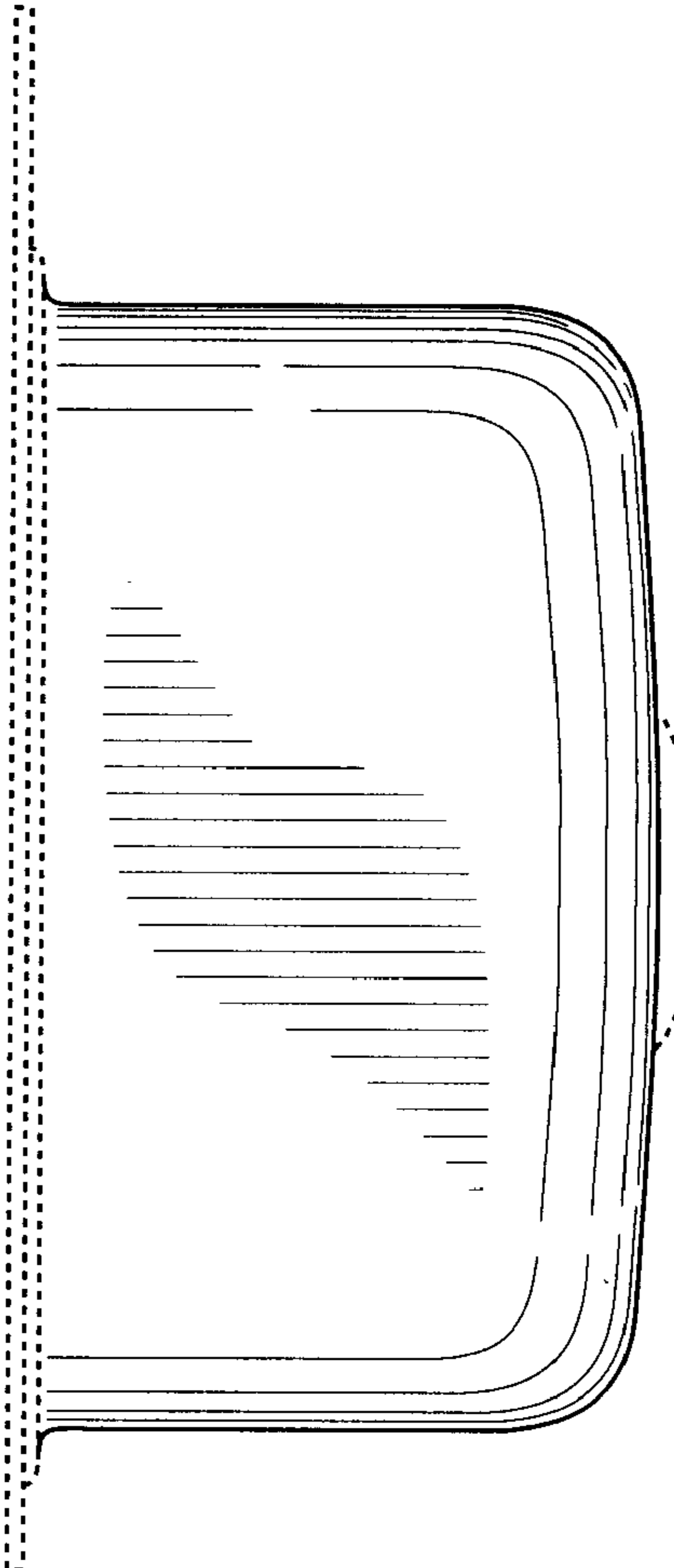


FIG. 7

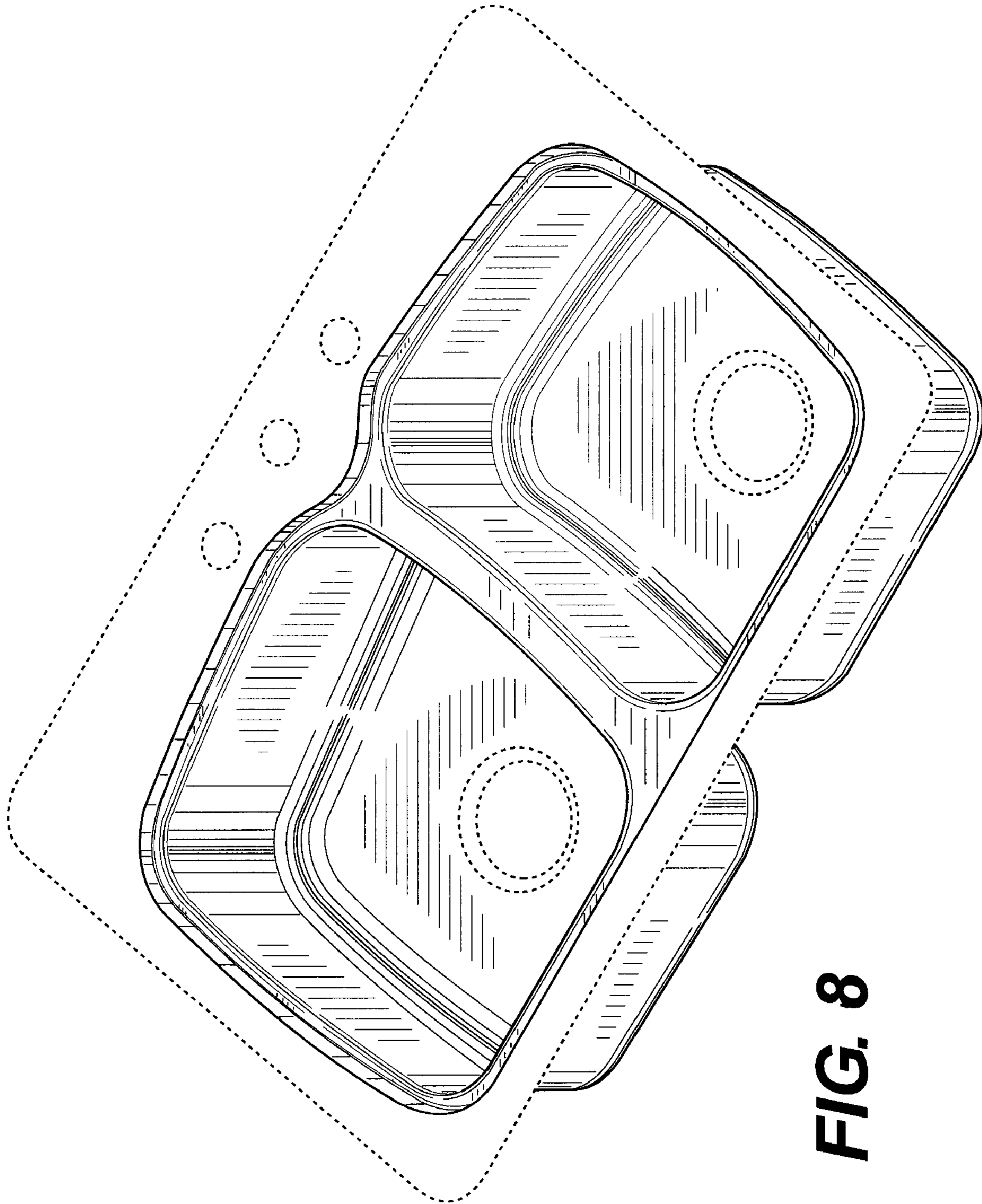


FIG. 8

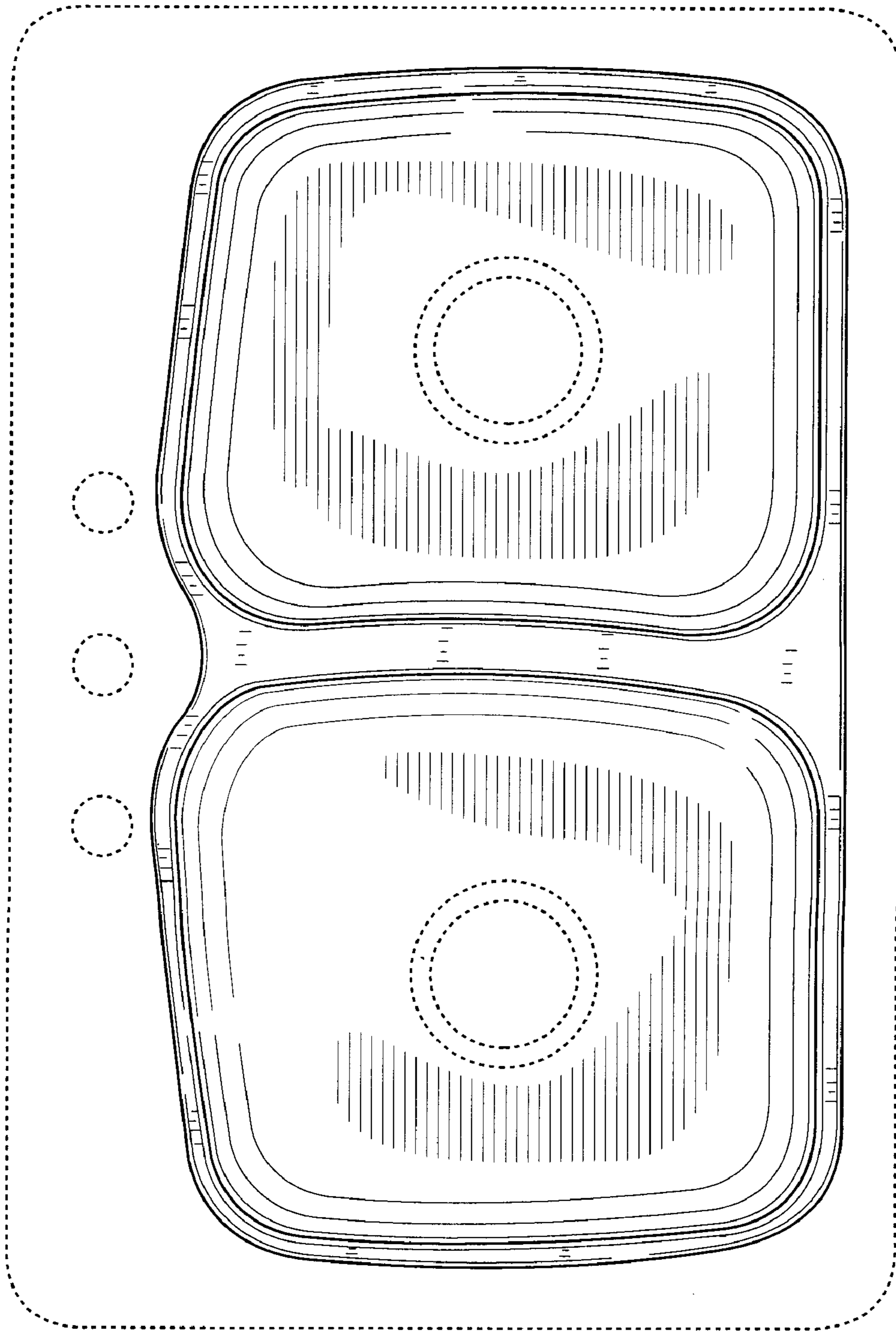


FIG. 9

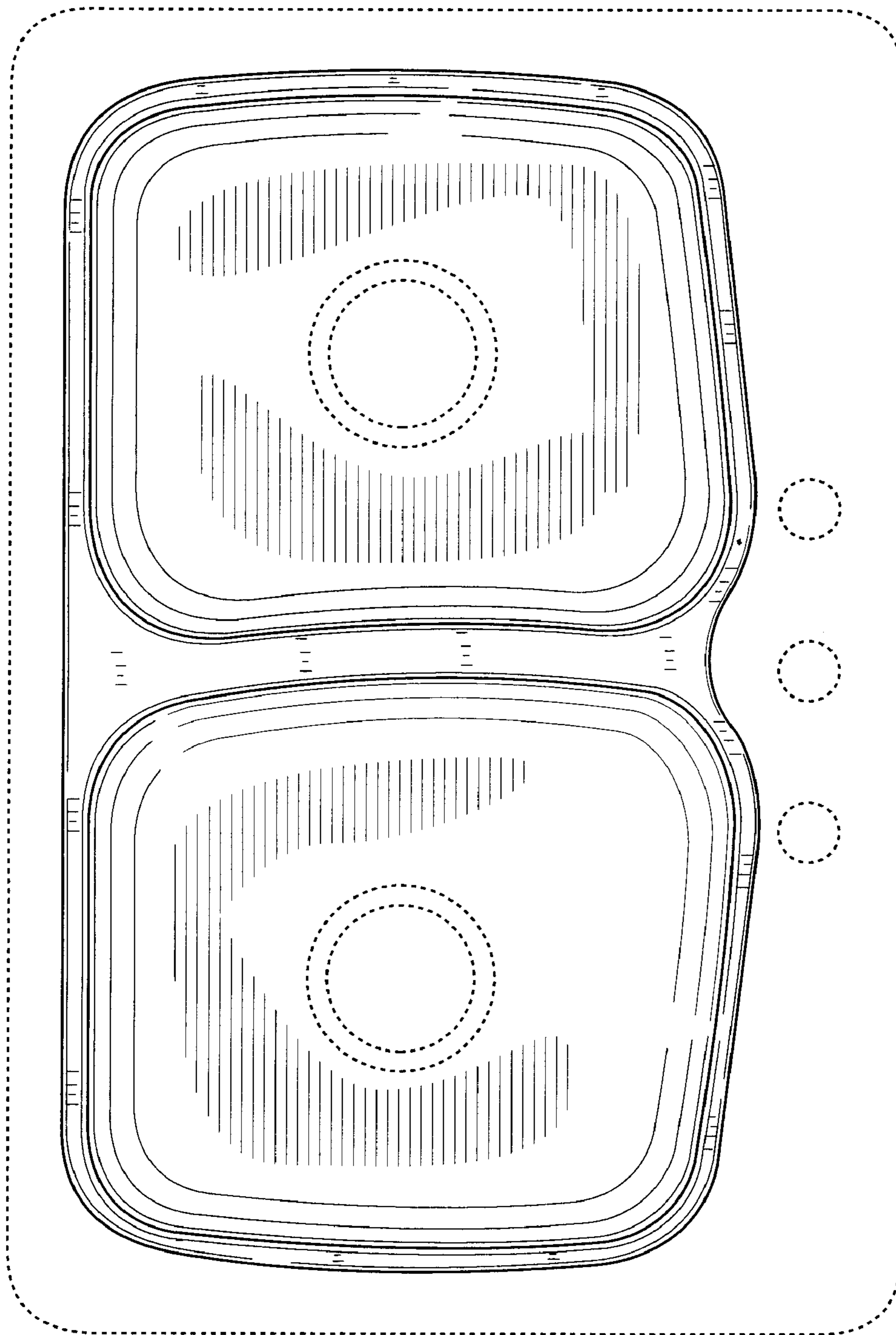


FIG. 10

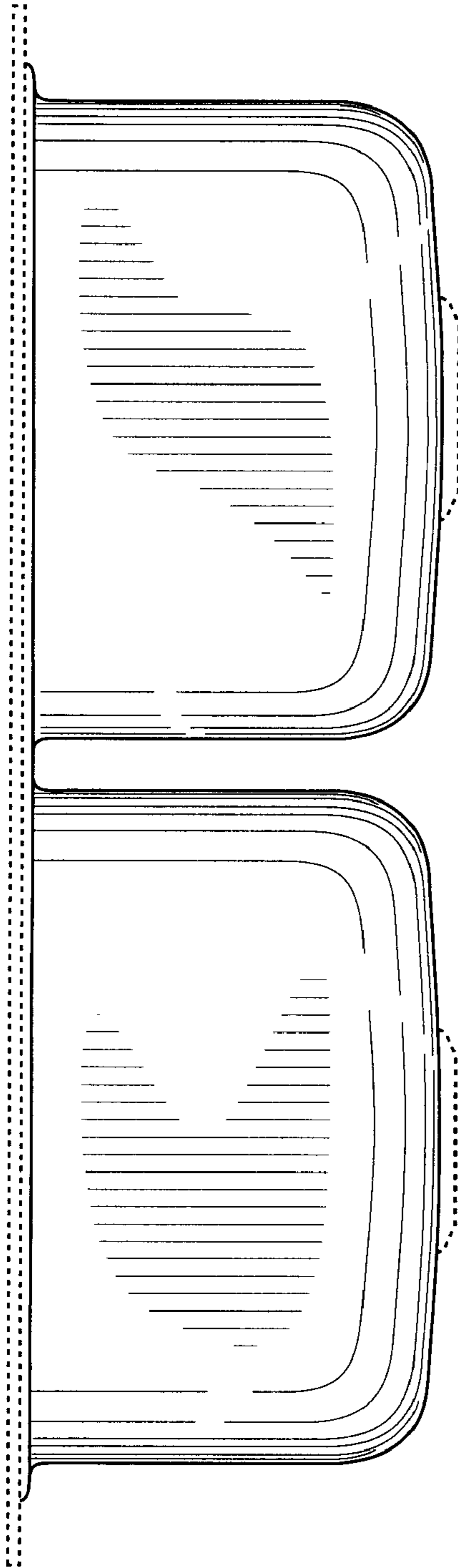


FIG. 11

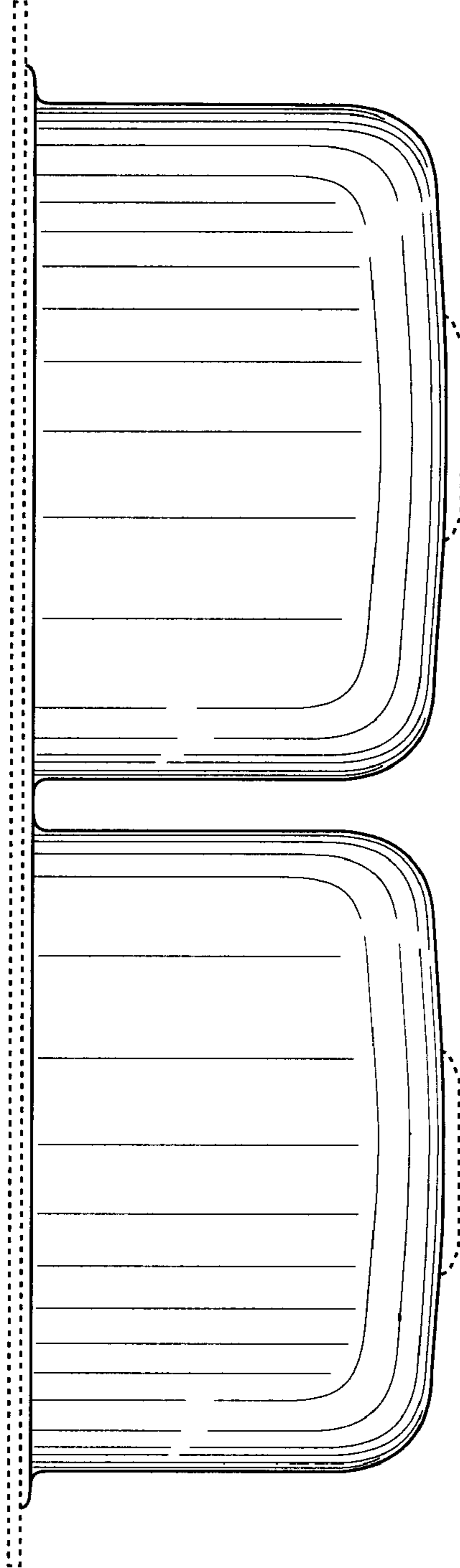


FIG. 12

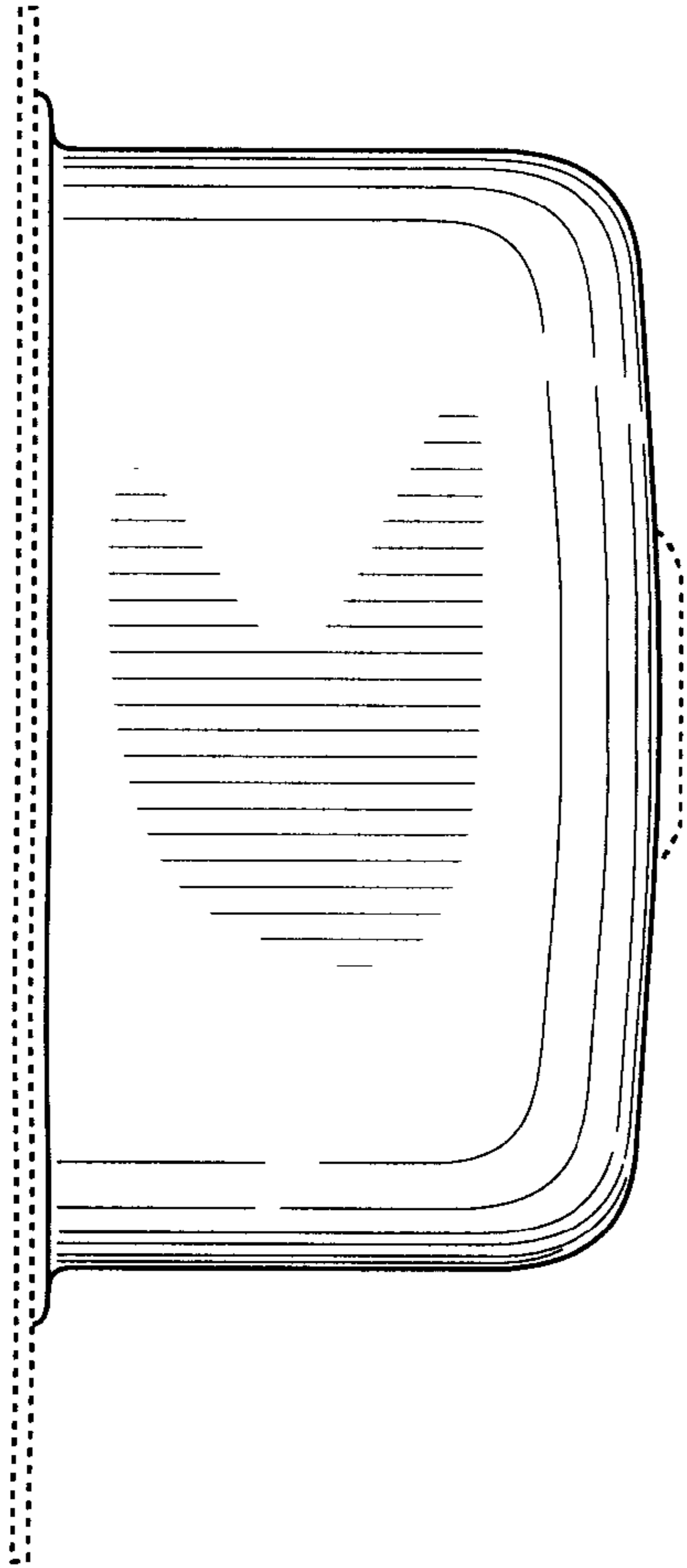


FIG. 13

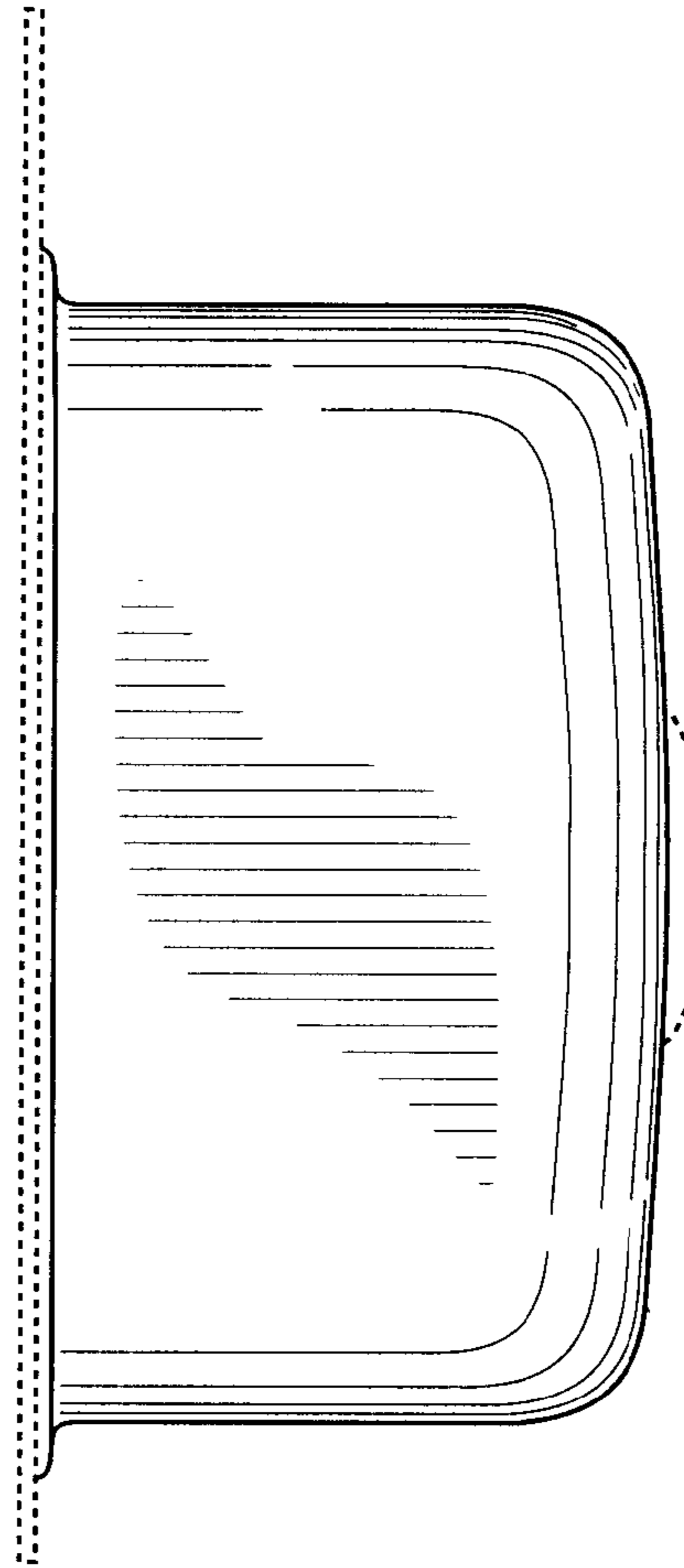


FIG. 14